

US00D866112S

(12) **United States Design Patent** (10) **Patent No.:** **US D866,112 S**
Andersen (45) **Date of Patent:** **** Nov. 5, 2019**

(54) **SPROCKET FOR CONVEYOR BELTS** D750,676 S * 3/2016 Brown B65G 39/02
D15/148
(71) Applicant: **AMMERAAL BELTECH** 9,415,943 B2 * 8/2016 Carrara B65G 39/02
MODULAR A/S, Vejle (DK) D817,371 S * 5/2018 Karol B65G 23/06
D15/148
(72) Inventor: **Kenneth Westergaard Andersen,** D824,972 S * 8/2018 Karol B65G 23/06
Kolding (DK) D15/148
10,077,157 B2 * 9/2018 Soderstrom B65G 23/06

(**) Term: **15 Years**

(21) Appl. No.: **35/505,816**

(22) Filed: **Sep. 20, 2018**

(80) **Hague Agreement Data**

Int. Filing Date: **Sep. 20, 2018**
Int. Reg. No.: **DM/102921**
Int. Reg. Date: **Sep. 20, 2018**
Int. Reg. Pub. Date: **Oct. 5, 2018**

(51) **LOC (12) Cl.** **12-05**

(52) **U.S. Cl.**
USPC **D34/29; D12/123**

(58) **Field of Classification Search**
USPC **D34/28, 29; D8/354; D12/123;**
D15/148

CPC **B65G 23/06; B65G 23/16; B65G 2207/30**
See application file for complete search history.

(56) **References Cited**

U.S. PATENT DOCUMENTS

D262,372 S * 12/1981 Mitchell 198/318
D286,932 S * 11/1986 Bode D34/29
D426,692 S * 6/2000 Swanink D34/29
D439,721 S * 3/2001 Swanink D34/29
8,042,682 B2 * 10/2011 Ertel B65G 23/06
198/834
D658,843 S * 5/2012 Wedemeyer D34/35
8,424,676 B2 * 4/2013 Jones B65G 23/06
198/834
8,997,975 B2 * 4/2015 Lucchi B65G 23/06
198/834
9,115,802 B2 * 8/2015 Guldenfels B08B 3/02

OTHER PUBLICATIONS

www.whattheythink.com: Time and Cost-Cutting Innovation from Ammeraal Beltech . . . Oct. 9, 2018; 5 pages. Found online Jul. 11, 2019 at <https://www.airport-suppliers.com/supplier-press-release/time-and-cost-cutting-innovation-from-ammeraal-beltech-uni-ultrafit-two-part-sprocket-system> (Year: 2018).*

* cited by examiner

Primary Examiner — Robert M. Spear

(57) **CLAIM**

The ornamental design for a sprocket for conveyor belts, as shown and described.

DESCRIPTION

1. Sprocket for conveyor belts

1.1 : Perspective

1.2 : Top

1.3 : Left

1.4 : Front

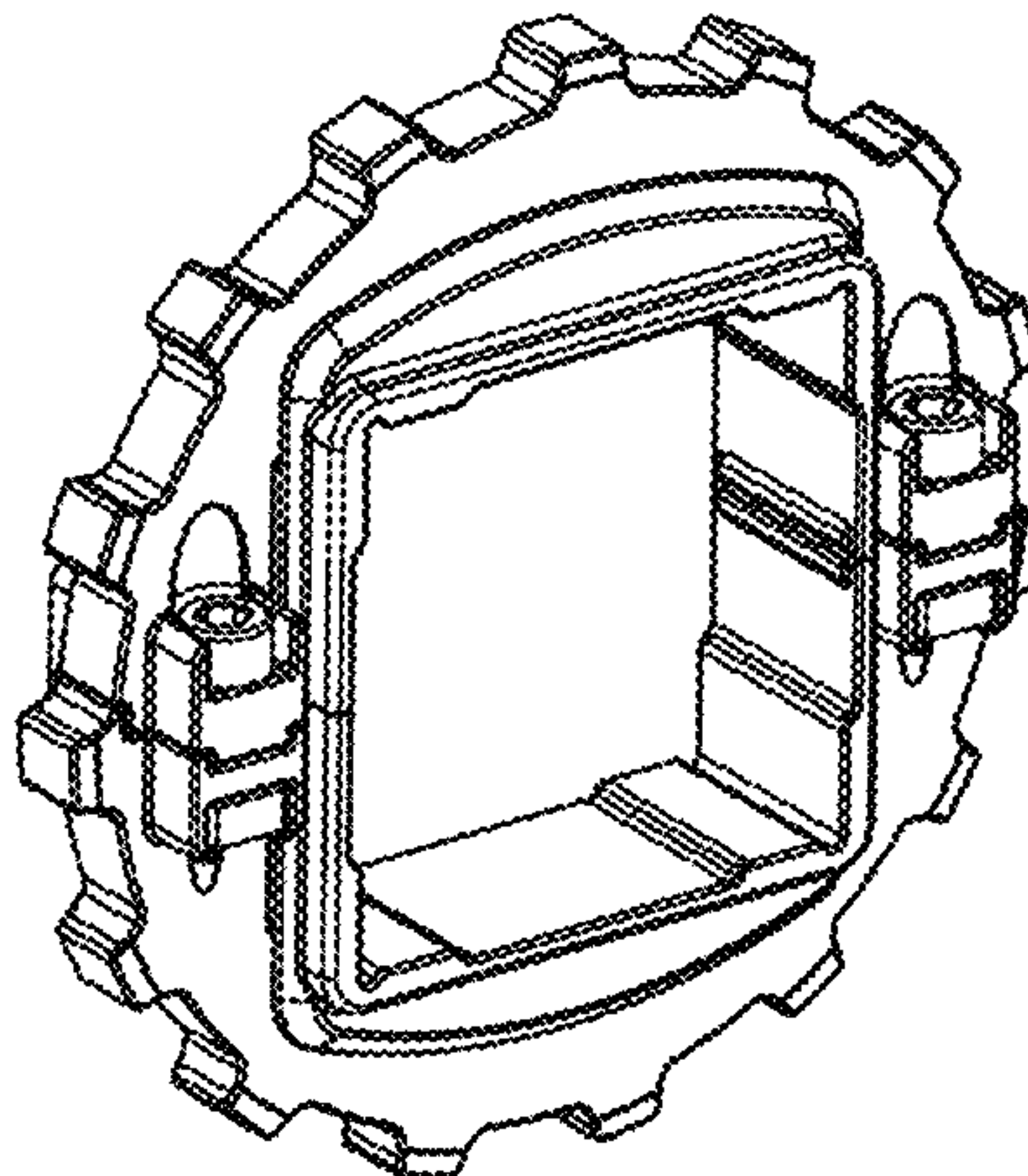
1.5 : Right

1.6 : Back

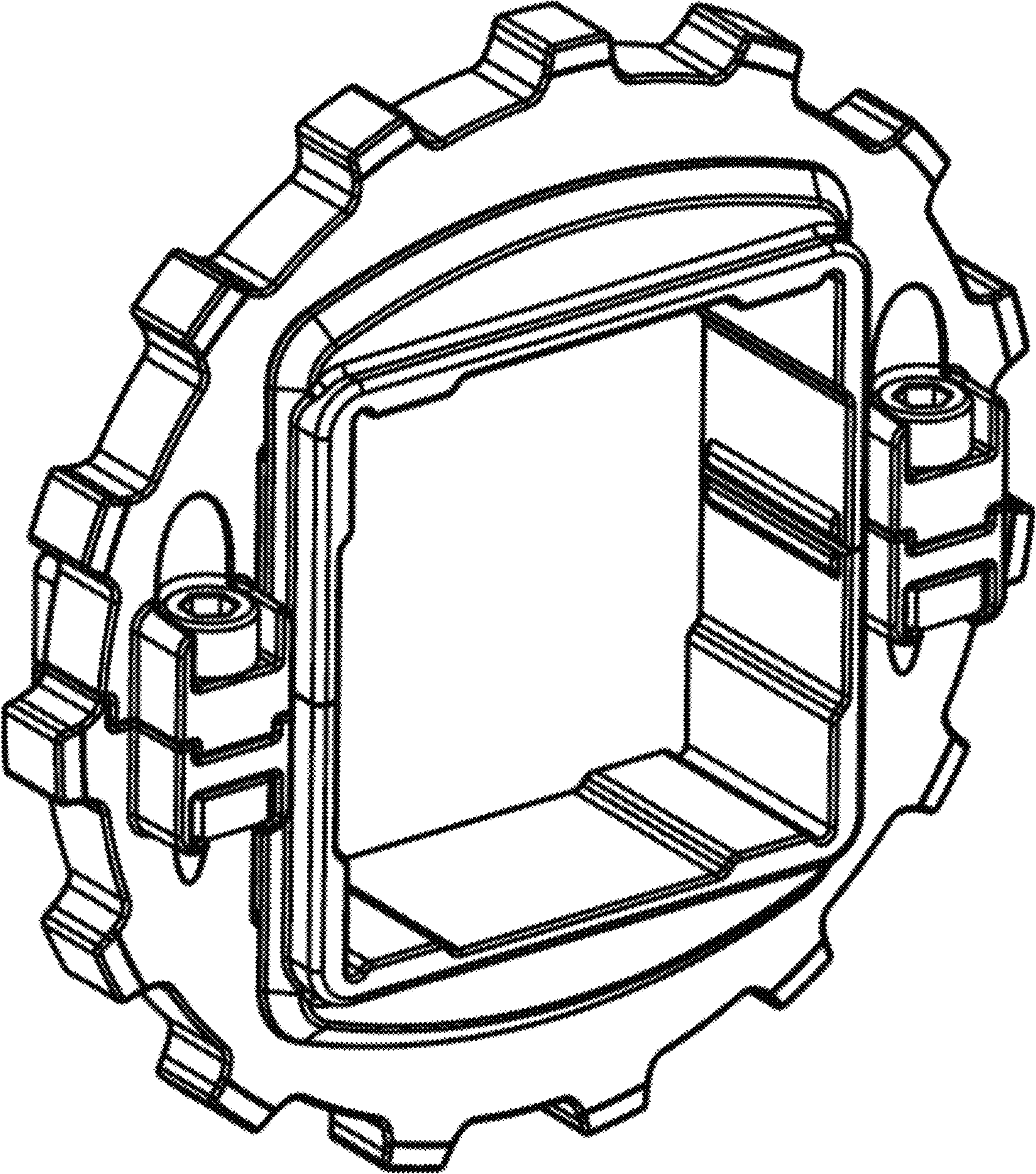
1.7 : Bottom

Fig. 1.1 is a perspective view of the sprocket; fig. 1.2 is a top view of the sprocket; fig. 1.3 is a left side view of the sprocket; fig. 1.4 is a front view of the sprocket; fig. 1.5 is right side view of the sprocket; fig. 1.6 is a back view of the sprocket; fig. 1.7 is a bottom view of the sprocket.

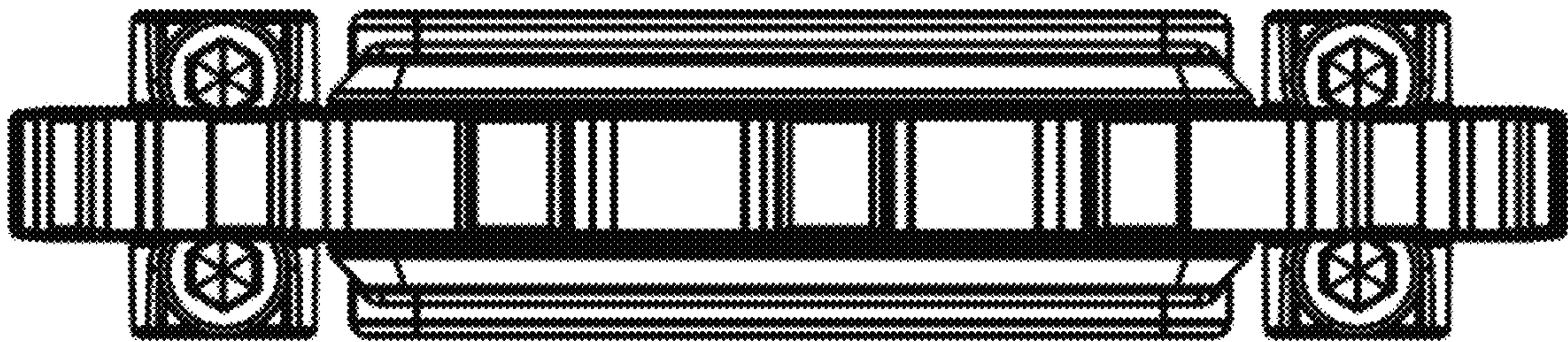
1 Claim, 7 Drawing Sheets



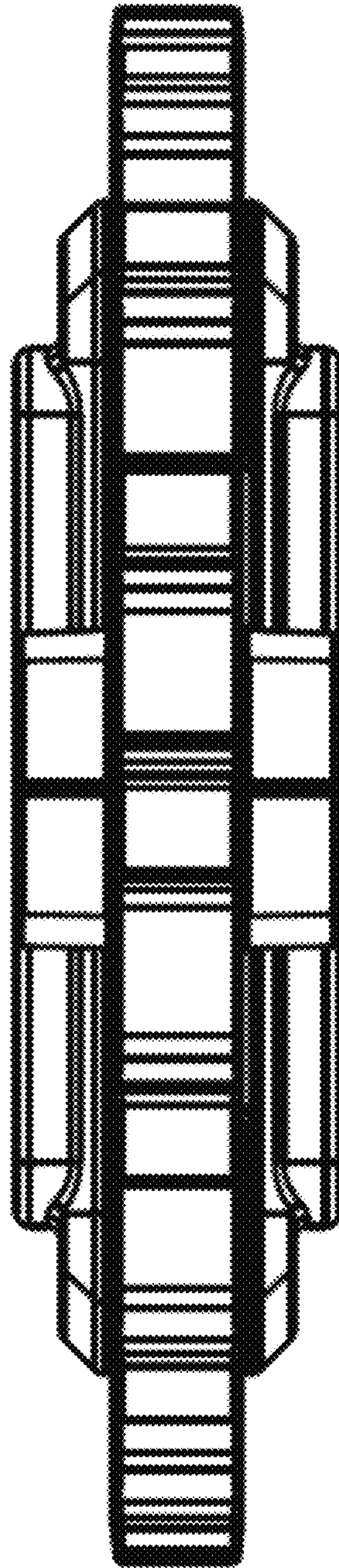
1.1



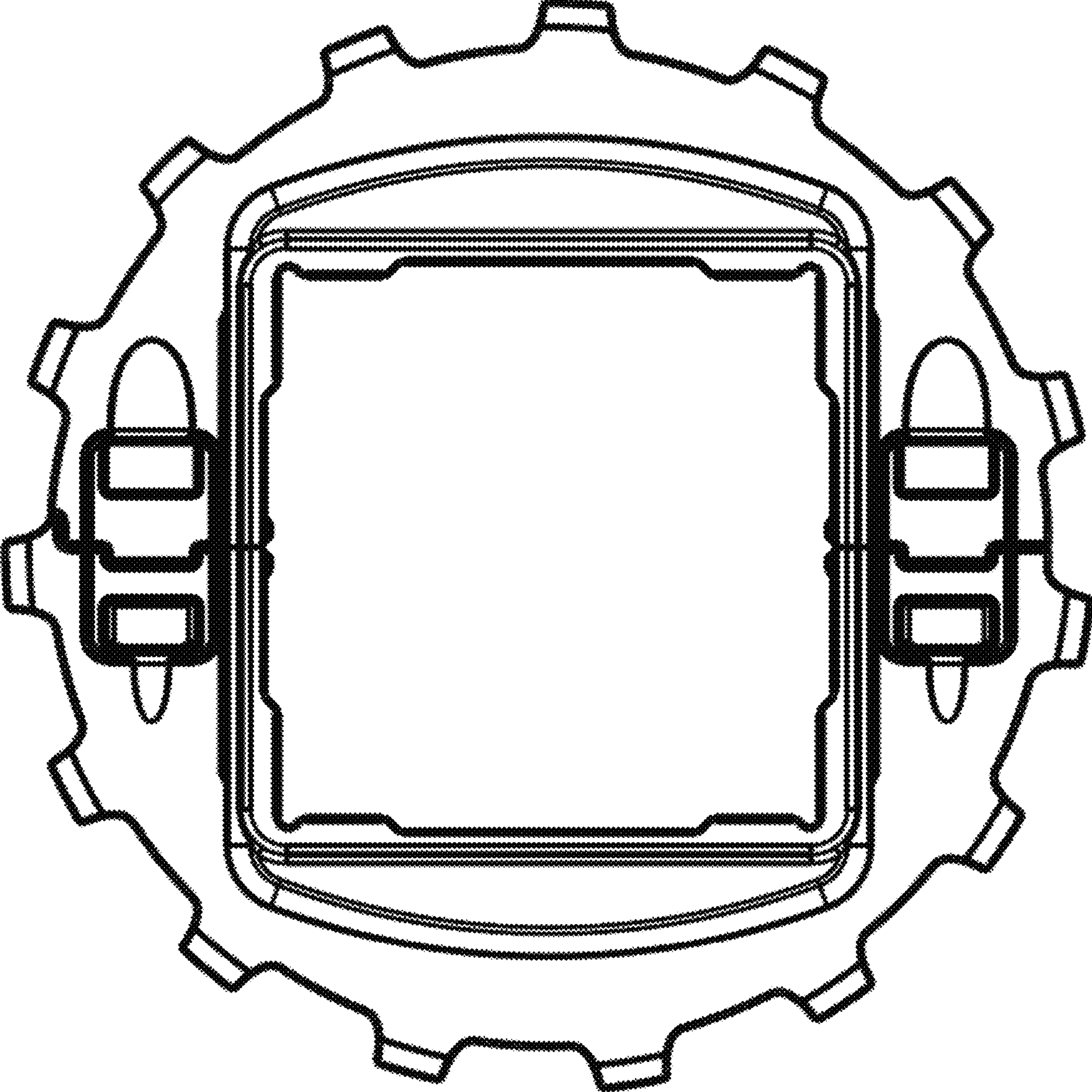
1.2



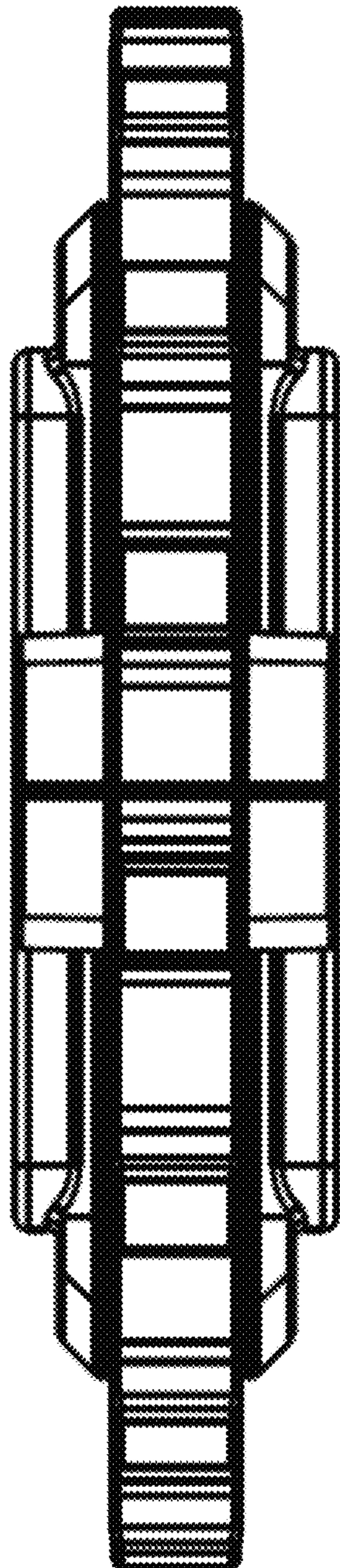
1.3



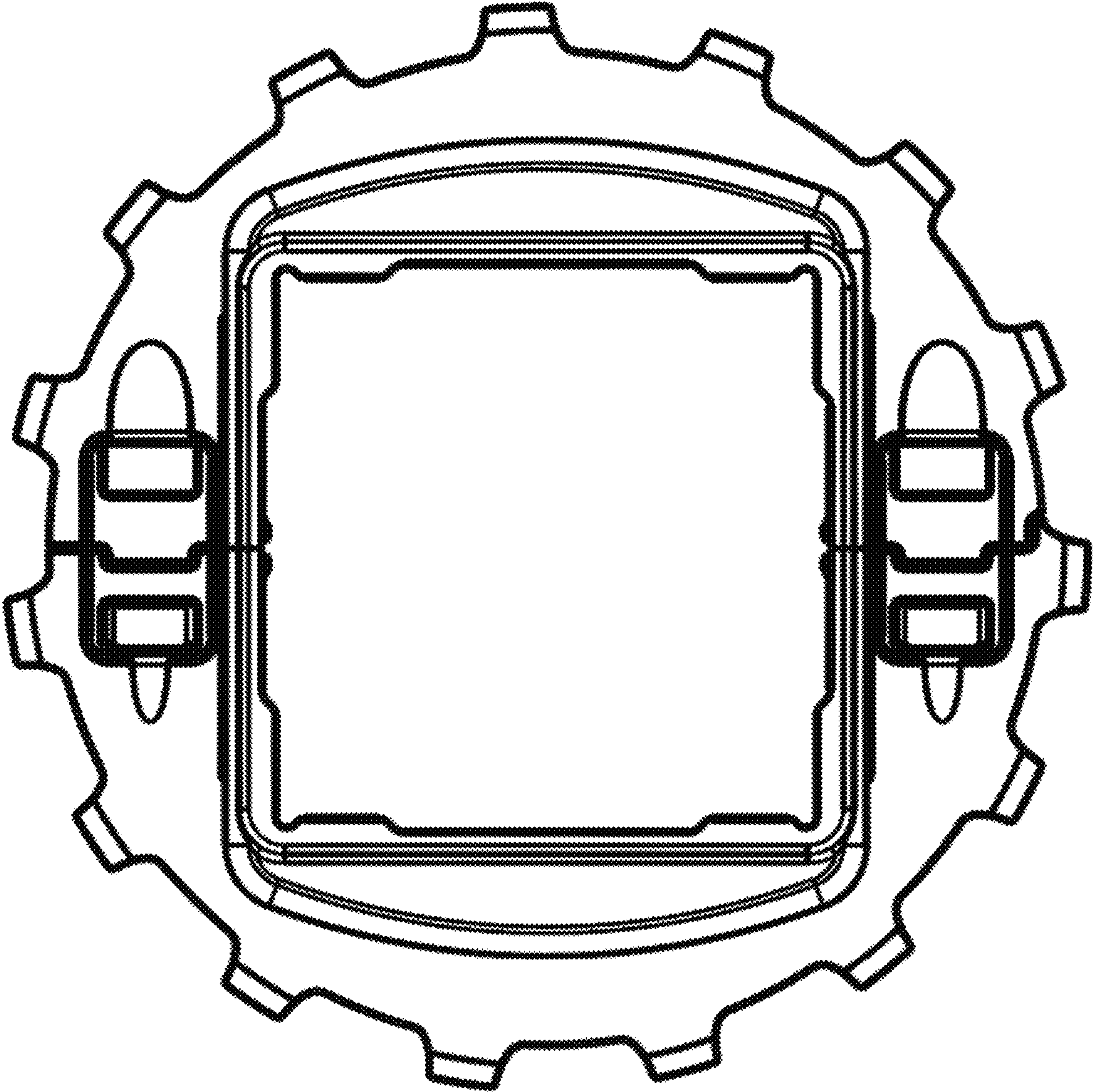
1.4



1.5



1.6



1.7

