

US00D866111S

(12) **United States Design Patent**
Newgent et al.

(10) **Patent No.:** **US D866,111 S**
(45) **Date of Patent:** **** Nov. 5, 2019**

- (54) **PORTABLE PALLET COILER**
- (71) Applicants: **James Newgent**, Magnolia, TX (US);
Tammy Newgent, Magnolia, TX (US)
- (72) Inventors: **James Newgent**, Magnolia, TX (US);
Tammy Newgent, Magnolia, TX (US)
- (**) Term: **15 Years**
- (21) Appl. No.: **29/646,764**
- (22) Filed: **May 7, 2018**
- (51) **LOC (12) Cl.** **12-05**
- (52) **U.S. Cl.**
USPC **D34/28**
- (58) **Field of Classification Search**
USPC 254/11, 12, 15, 120, 134, 2 R, 418, 45,
254/84, 88, 8 R, 93 H, 93 R; D34/28, 29,
D34/31, 32, 33, 34, 35, 38; D8/499;
280/38, 47.17, 43.12, 481; 182/112, 113,
182/141
CPC B66F 5/02; B66F 13/00; B66F 3/22; B66F
3/24; B66F 3/30; B62B 3/0612
See application file for complete search history.

- D694,983 S * 12/2013 Lederhause D34/28
- 8,651,237 B2 * 2/2014 Pulliam E02F 3/962
182/141
- 9,033,313 B2 * 5/2015 Katz B62B 3/0606
254/2 R
- D751,788 S * 3/2016 Taylor D34/28
- D801,619 S * 10/2017 Bettcher, III D34/35
- D809,733 S * 2/2018 Newgent D34/31
- D844,278 S * 3/2019 Iotti D34/28
- 2003/0165376 A1 * 9/2003 Bruno A61G 3/0209
414/462
- 2007/0224025 A1 * 9/2007 Ablabutyan B60P 1/4442
414/546
- 2012/0308351 A1 * 12/2012 Digiovanni A61G 3/06
414/462

* cited by examiner

Primary Examiner — Cynthia Ramirez
Assistant Examiner — Michael A Maharajh
(74) *Attorney, Agent, or Firm* — Law Office of Jeff
Williams PLLC; J. Oliver Williams

(57) **CLAIM**

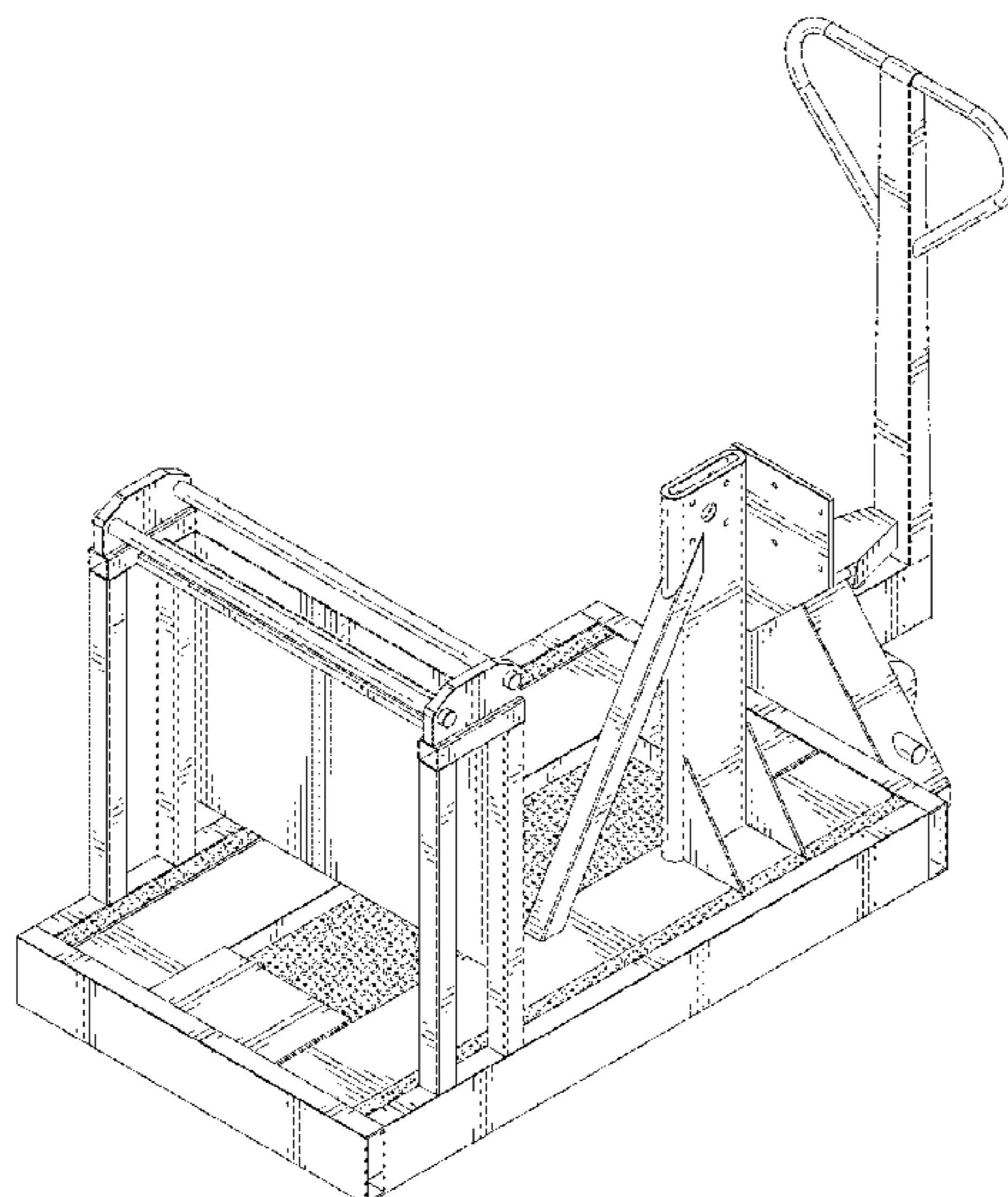
The ornamental design for a portable pallet coiler, as shown and described.

DESCRIPTION

FIG. 1 is a perspective view of the portable pallet coiler, showing our new design.
FIG. 2 is a front view of the portable pallet coiler of FIG. 1.
FIG. 3 is a rear view of the portable pallet coiler of FIG. 1.
FIG. 4 is a right view of the portable pallet coiler of FIG. 1.
FIG. 5 is a left view of the portable pallet coiler of FIG. 1.
FIG. 6 is a top view of the portable pallet coiler of FIG. 1; and,
FIG. 7 is a bottom view of the portable pallet coiler of FIG. 1.

1 Claim, 7 Drawing Sheets

- (56) **References Cited**
U.S. PATENT DOCUMENTS
- 4,123,038 A * 10/1978 Meyers B66F 9/06
254/134
- D257,246 S * 10/1980 Hihara D34/33
- D346,680 S * 5/1994 Lee D34/28
- 6,145,619 A * 11/2000 Risser B66F 11/044
182/113
- D455,884 S * 4/2002 Ogrodnick D34/28
- 6,966,542 B2 * 11/2005 Bettencourt B25H 1/0014
254/120
- D595,471 S * 6/2009 Novis D34/28



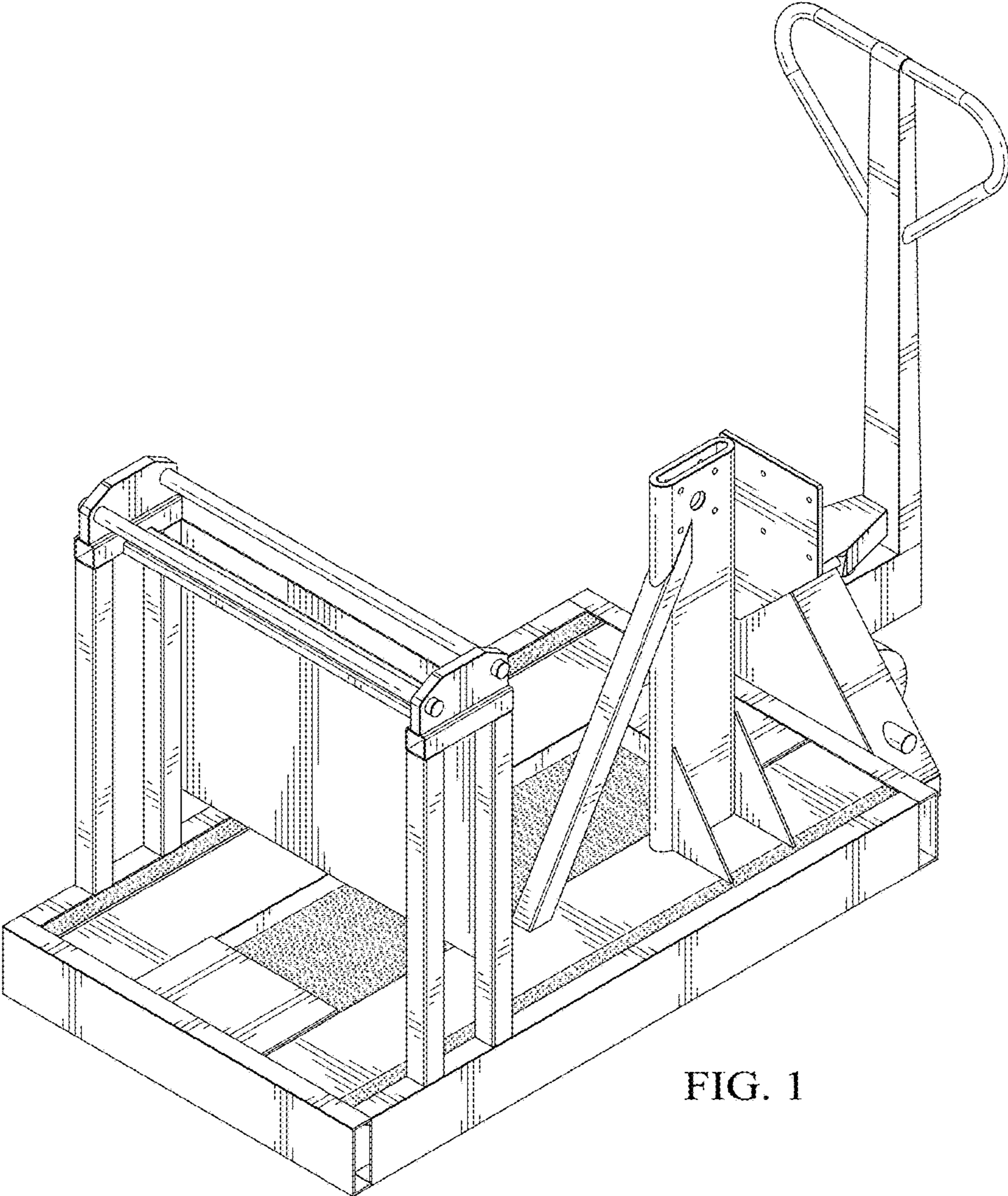


FIG. 1

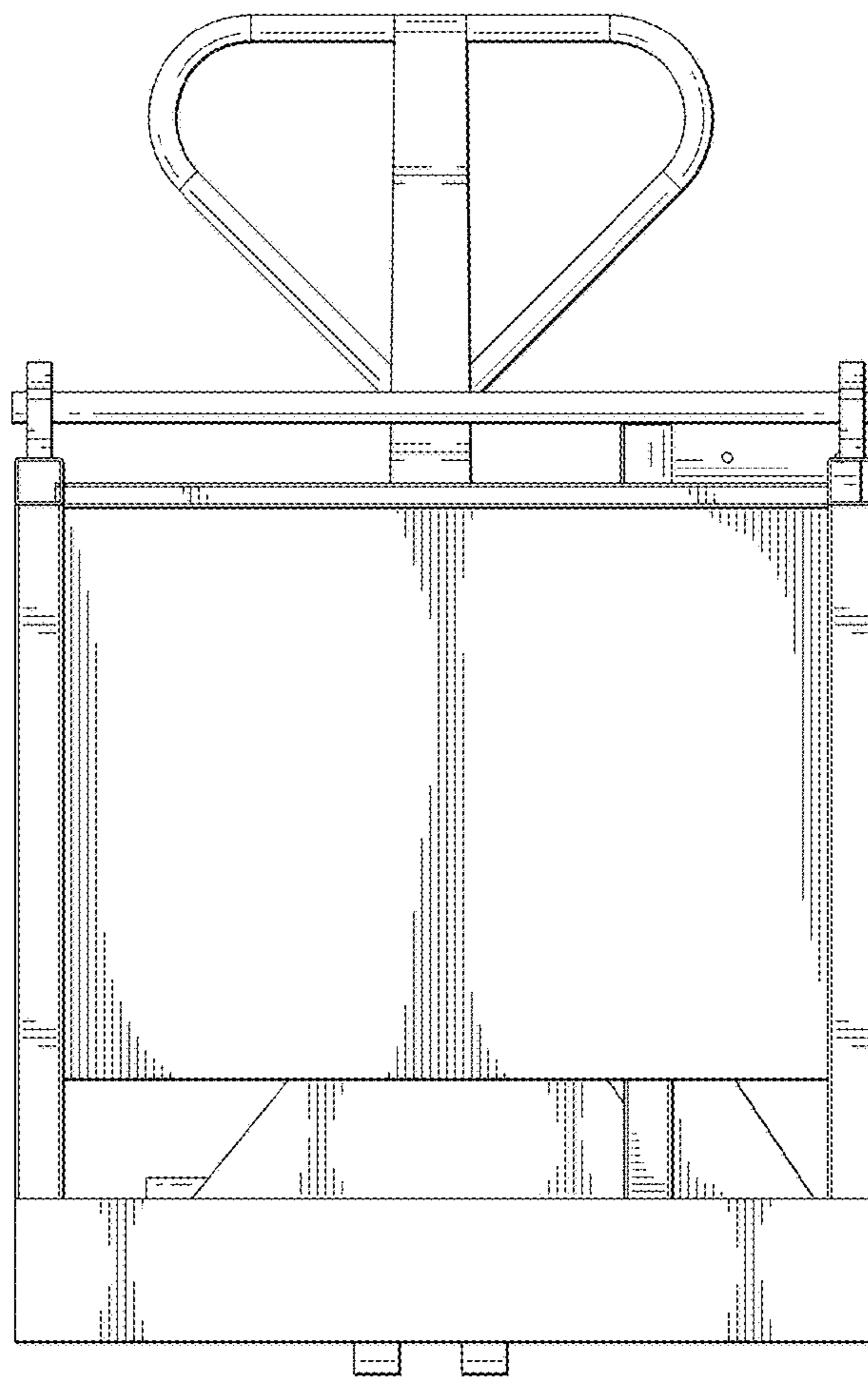


FIG. 2

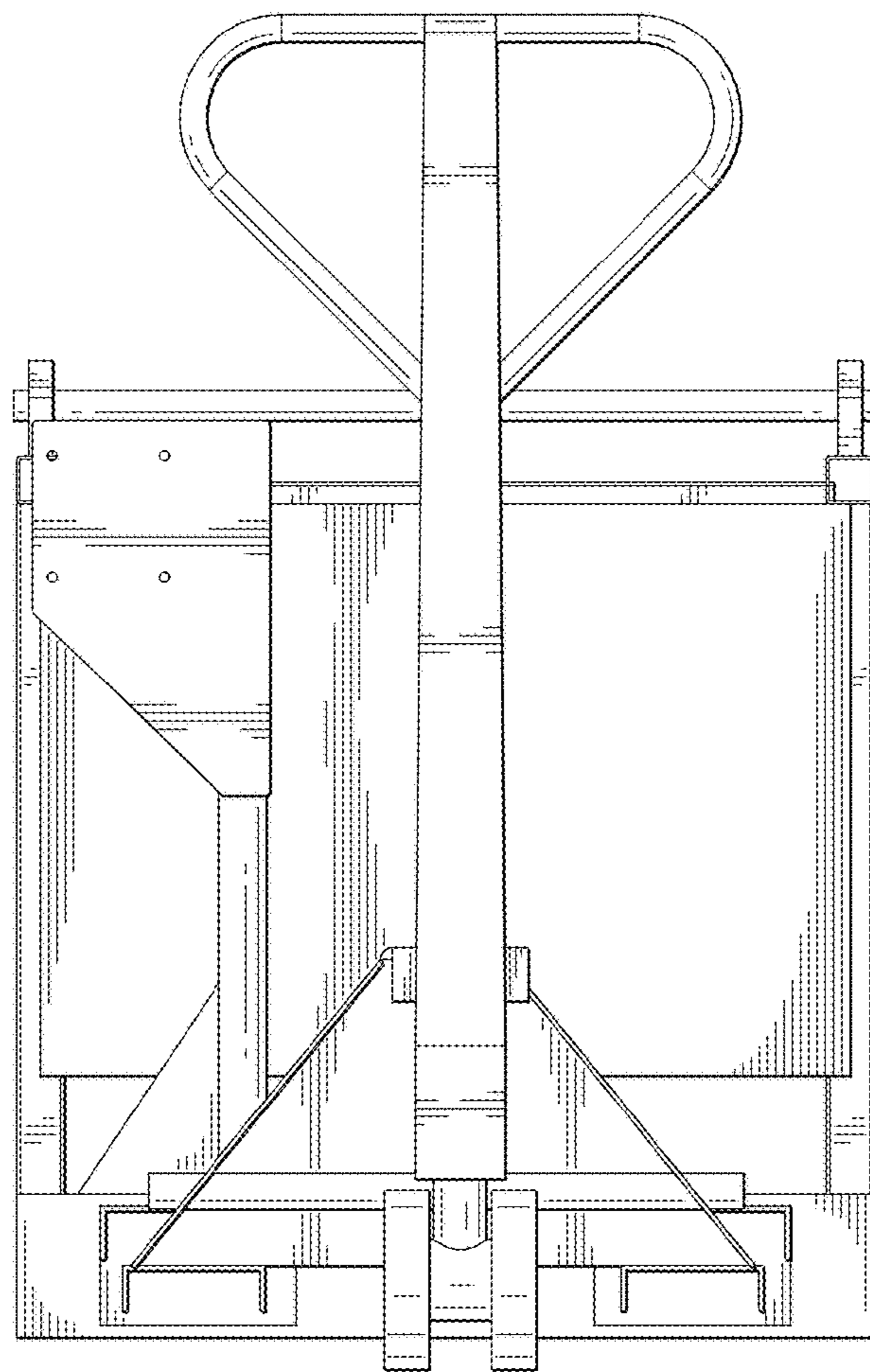
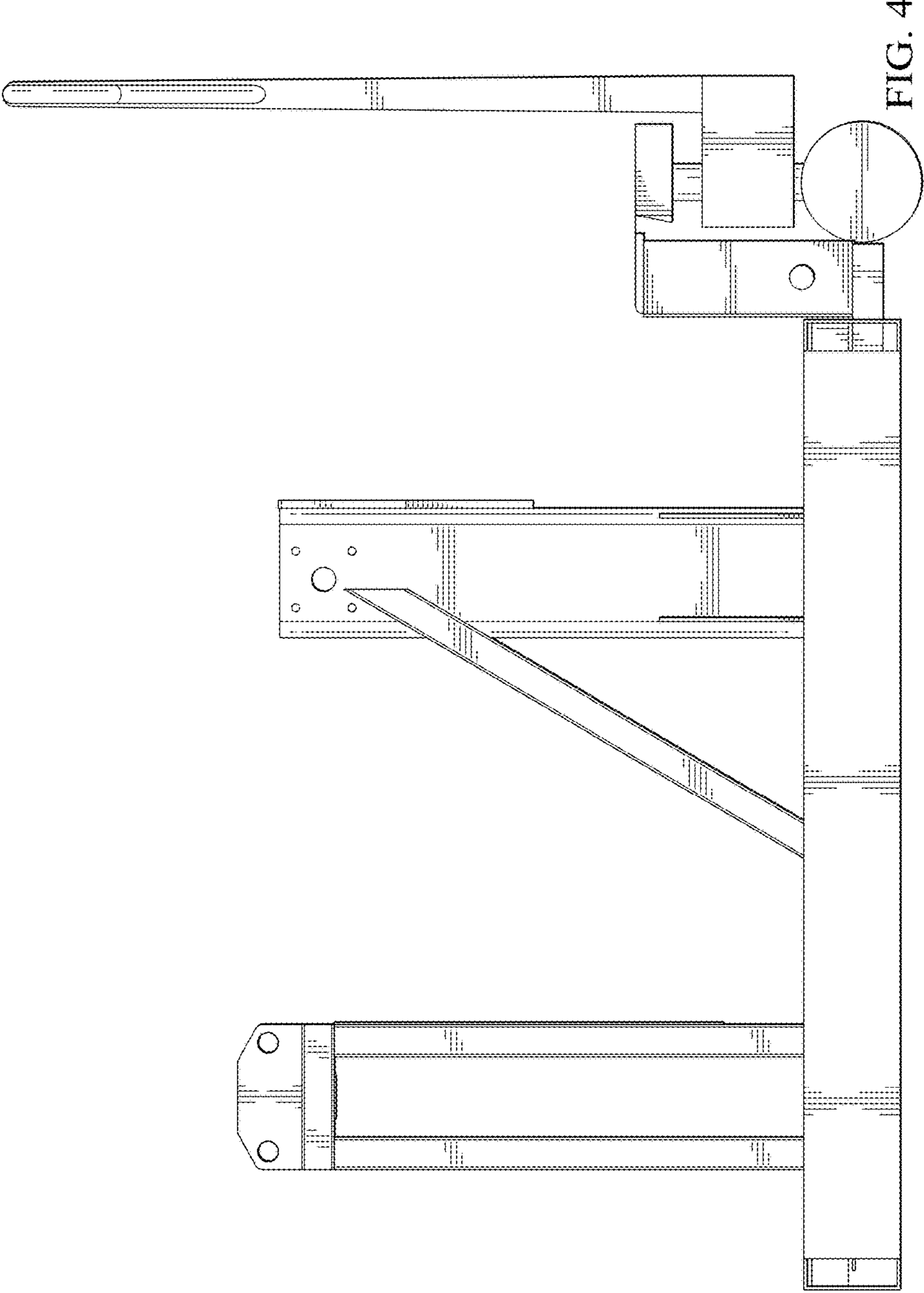


FIG. 3



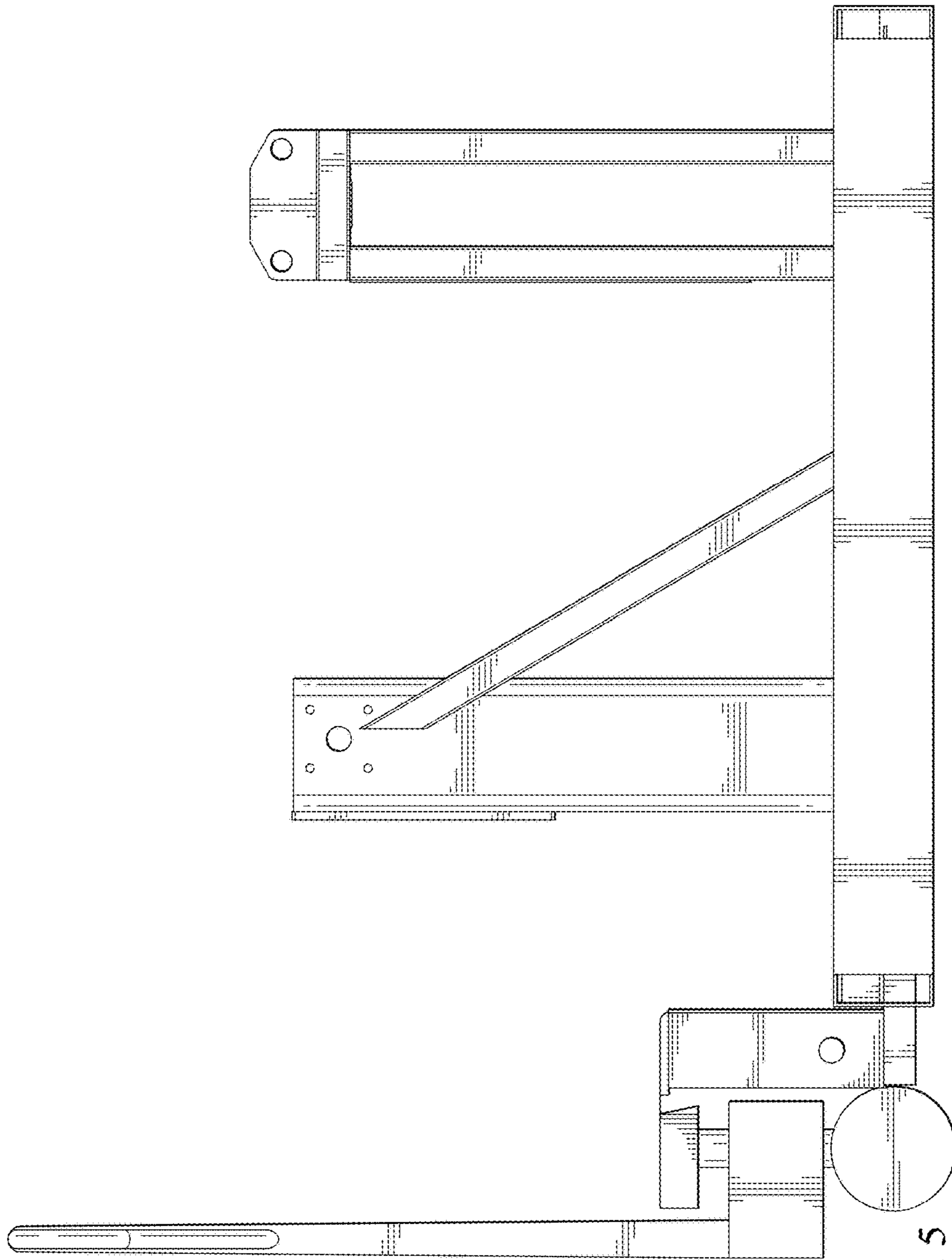


FIG. 5

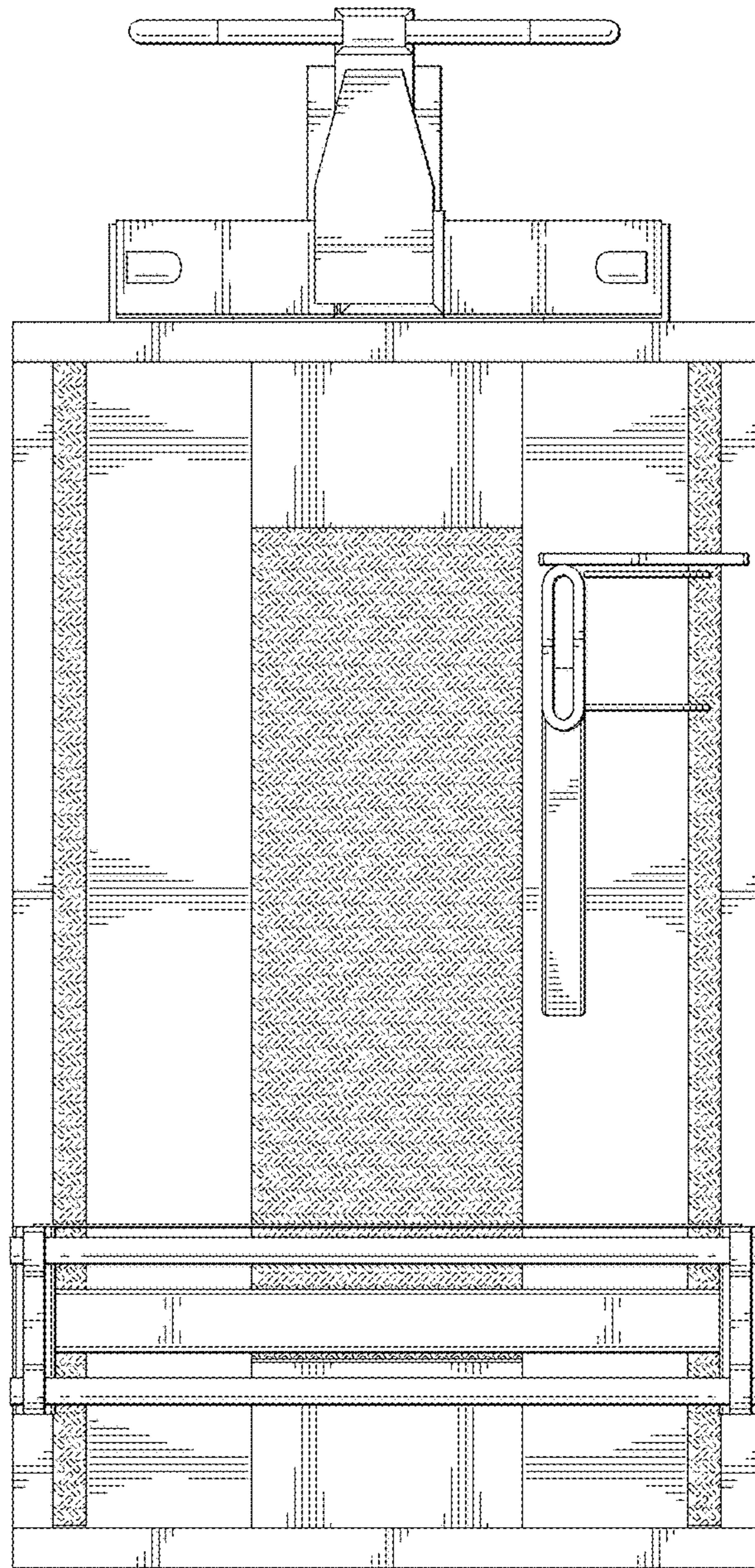


FIG. 6

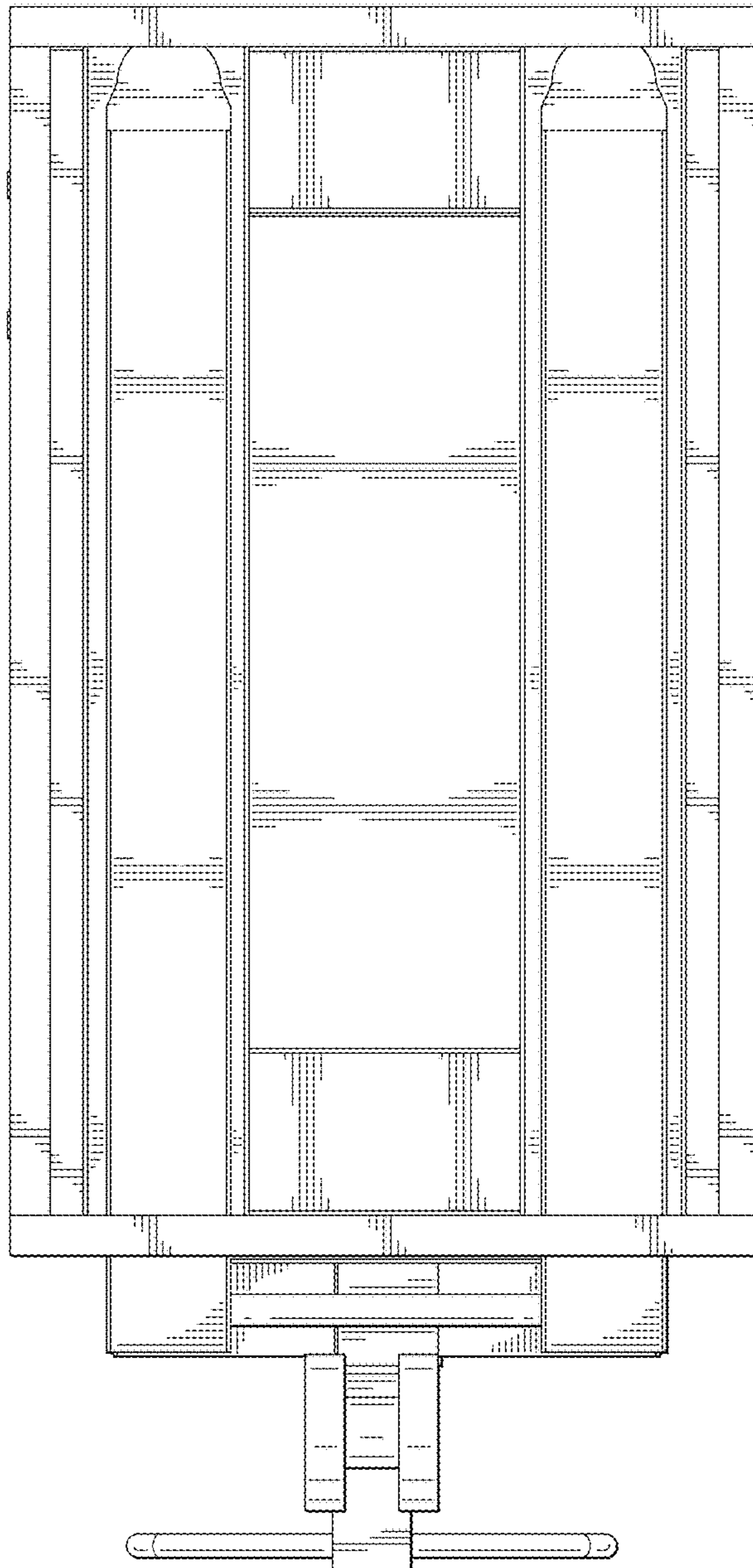


FIG. 7