

US00D866110S

(12) **United States Design Patent**
D'Almada Remedios et al.

(10) **Patent No.:** **US D866,110 S**
(45) **Date of Patent:** **** Nov. 5, 2019**

- (54) **PEDESTAL STAND**
- (71) Applicant: **BlackHagen-Design, Inc.**, Dunedin, FL (US)
- (72) Inventors: **Philip J. D'Almada Remedios**, Palm Harbor, FL (US); **Bartosz Korec**, Palm Harbor, FL (US)
- (73) Assignee: **BlackHagen-Design, Inc.**, Dunedin, FL (US)

- D548,918 S * 8/2007 Nussberger D34/17
- 7,857,328 B1 * 12/2010 Boss B62B 1/14
- 280/47.35
- 7,871,088 B2 * 1/2011 Silva B62B 5/002
- 280/47.35
- D654,832 S * 2/2012 Pettersson D12/133
- 8,152,181 B2 * 4/2012 Tomlinson A61H 3/04
- 280/47.34
- 8,245,652 B2 * 8/2012 Hung A61G 12/001
- 280/47.35
- D668,829 S * 10/2012 Ono D34/12
- D669,651 S * 10/2012 Ono D34/12

(Continued)

(**) Term: **15 Years**

Primary Examiner — Cynthia Ramirez

(21) Appl. No.: **29/637,160**

Assistant Examiner — Michael A Maharajh

(22) Filed: **Feb. 14, 2018**

(74) *Attorney, Agent, or Firm* — Smith & Hopen, P.A.; Steven Forte; Nilay J. Choksi

(51) **LOC (12) Cl.** **12-02**

(57) **CLAIM**

(52) **U.S. Cl.**
USPC **D34/21**

The ornamental design for a pedestal stand, substantially as shown and described.

(58) **Field of Classification Search**

DESCRIPTION

USPC 180/20; 280/33.991, 33.992, 33.995, 280/33.996, 33.997, 47.35, 79.2, 79.3, 280/647, 651; D12/129; D34/12, 14, 16, D34/17, 19, 20, 21, 23, 24, 25, 27

CPC ... B62B 2205/30; B62B 2301/04; B62B 5/06; A47B 46/005; A47B 55/00

See application file for complete search history.

FIG. 1 is a perspective view of a pedestal stand showing our new design.

FIG. 2 is a front view of the pedestal stand shown in FIG. 1.

FIG. 3 is a rear view of the pedestal stand shown in FIG. 1.

FIG. 4 is a right side view of the pedestal stand shown in FIG. 1.

FIG. 5 is a left side view of the pedestal stand shown in FIG. 1.

FIG. 6 is a top view of the pedestal stand shown in FIG. 1; and,

FIG. 7 is a bottom view of the pedestal stand shown in FIG. 1.

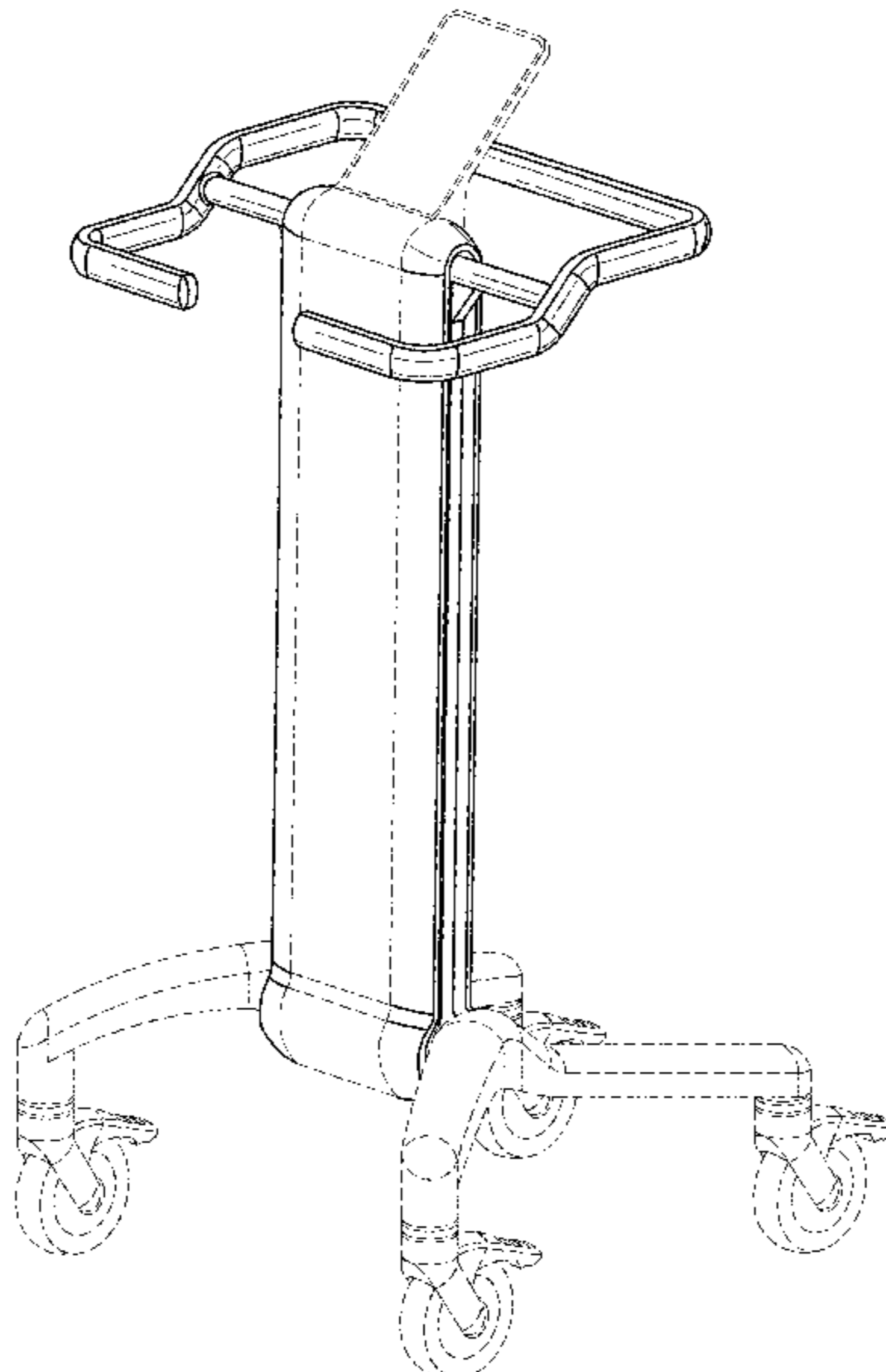
The broken lines shown in the figures are for the purpose of illustrating portions of the pedestal stand, which form no part of the claimed design.

(56) **References Cited**

U.S. PATENT DOCUMENTS

- D186,161 S * 9/1959 Chervenka 280/47.35
- D207,705 S * 5/1967 Allen D34/23
- 4,721,317 A * 1/1988 Avot B62B 3/1464
- 280/33.995
- 4,895,381 A * 1/1990 Farlow A47F 7/30
- 280/33.997
- 6,073,942 A * 6/2000 Heneveld, Sr. B62B 5/00
- 280/33.991
- D493,977 S * 8/2004 Rossini D34/27
- D536,151 S * 1/2007 Rossini D34/12

1 Claim, 7 Drawing Sheets



(56)

References Cited

U.S. PATENT DOCUMENTS

D670,472	S *	11/2012	Ono	D34/12
D730,011	S *	5/2015	McRorie	D34/14
D771,895	S *	11/2016	Hsu	D34/24
D806,340	S *	12/2017	Stalter	D34/14
D819,291	S *	5/2018	Turcotte	D34/5
D852,447	S *	6/2019	Schenone	D34/12
2002/0101047	A1 *	8/2002	Drury Chesser	B62B 3/10 280/47.35
2005/0275178	A1 *	12/2005	Huesdash	A47B 57/482 280/47.35
2007/0096417	A1 *	5/2007	Feick	A47F 5/137 280/79.3
2009/0085317	A1 *	4/2009	Livengood	A61H 3/04 280/79.3
2013/0106073	A1 *	5/2013	Gamard	B62B 3/104 280/79.2
2014/0117635	A1 *	5/2014	Ninomiya	A61B 8/4405 280/35
2014/0265253	A1 *	9/2014	Ingrasci	B62B 3/02 280/47.35
2016/0068178	A1 *	3/2016	Eisenhut	A47L 13/51 280/47.35
2016/0082998	A1 *	3/2016	Eisenhut	A47L 13/51 280/47.35

* cited by examiner

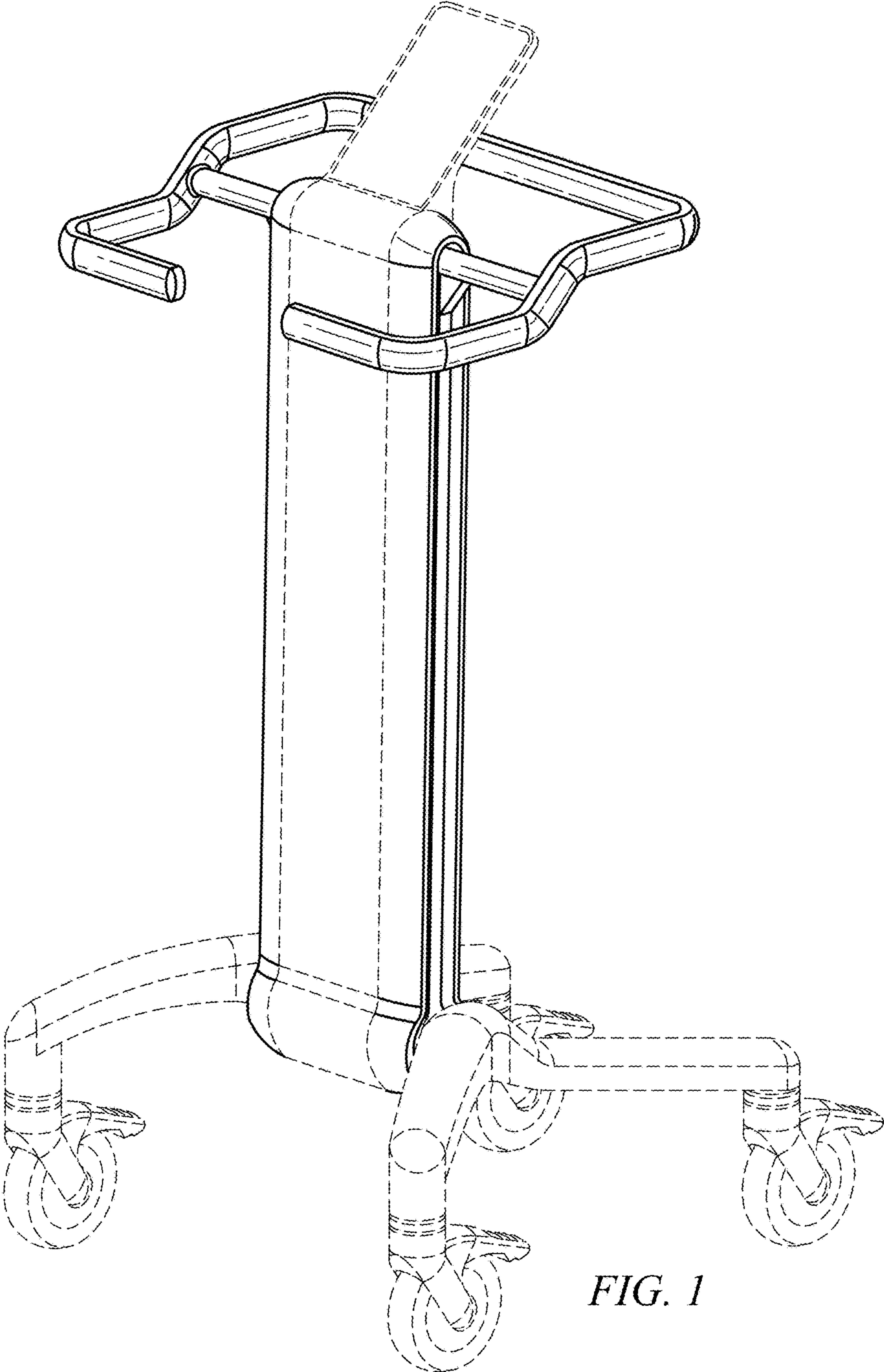
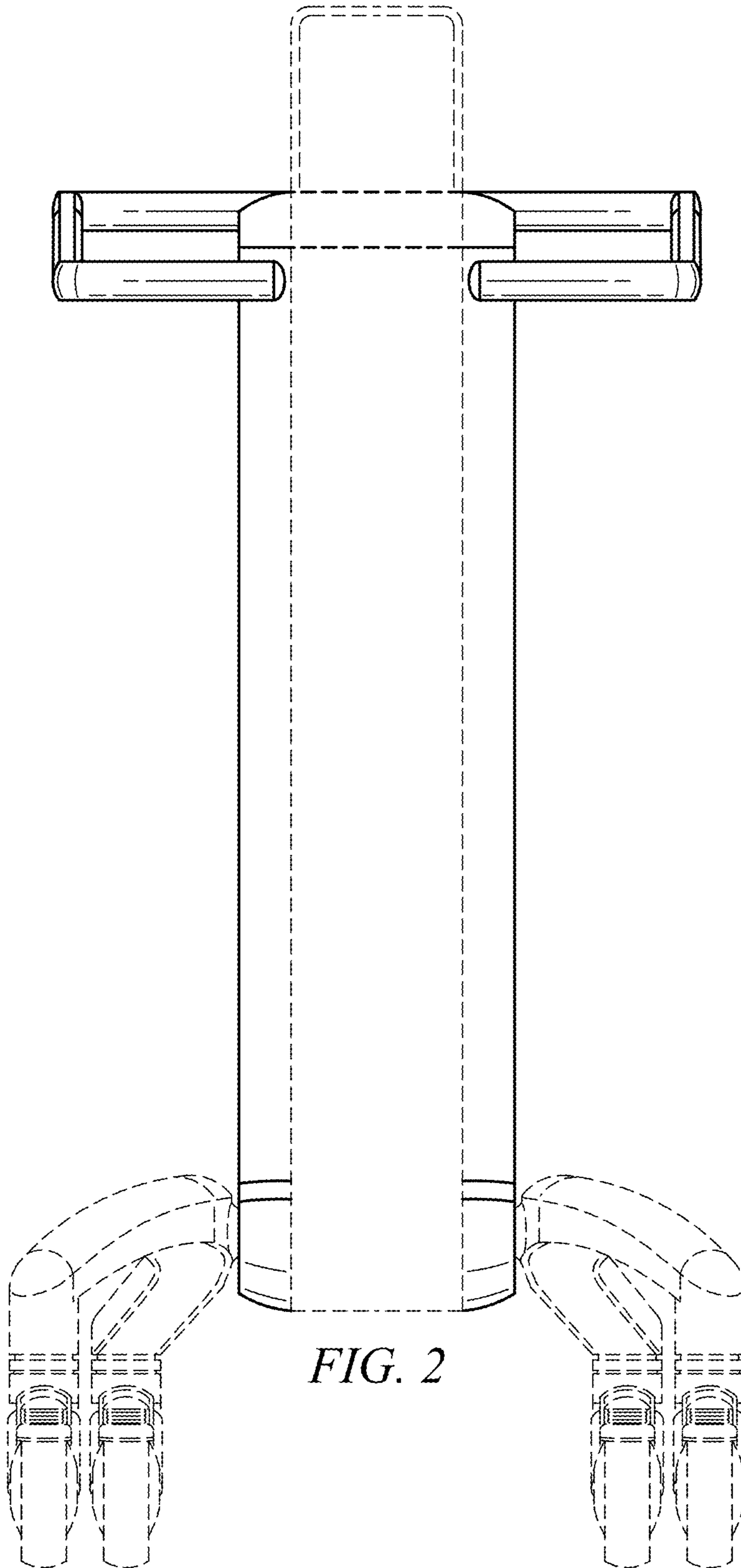


FIG. 1



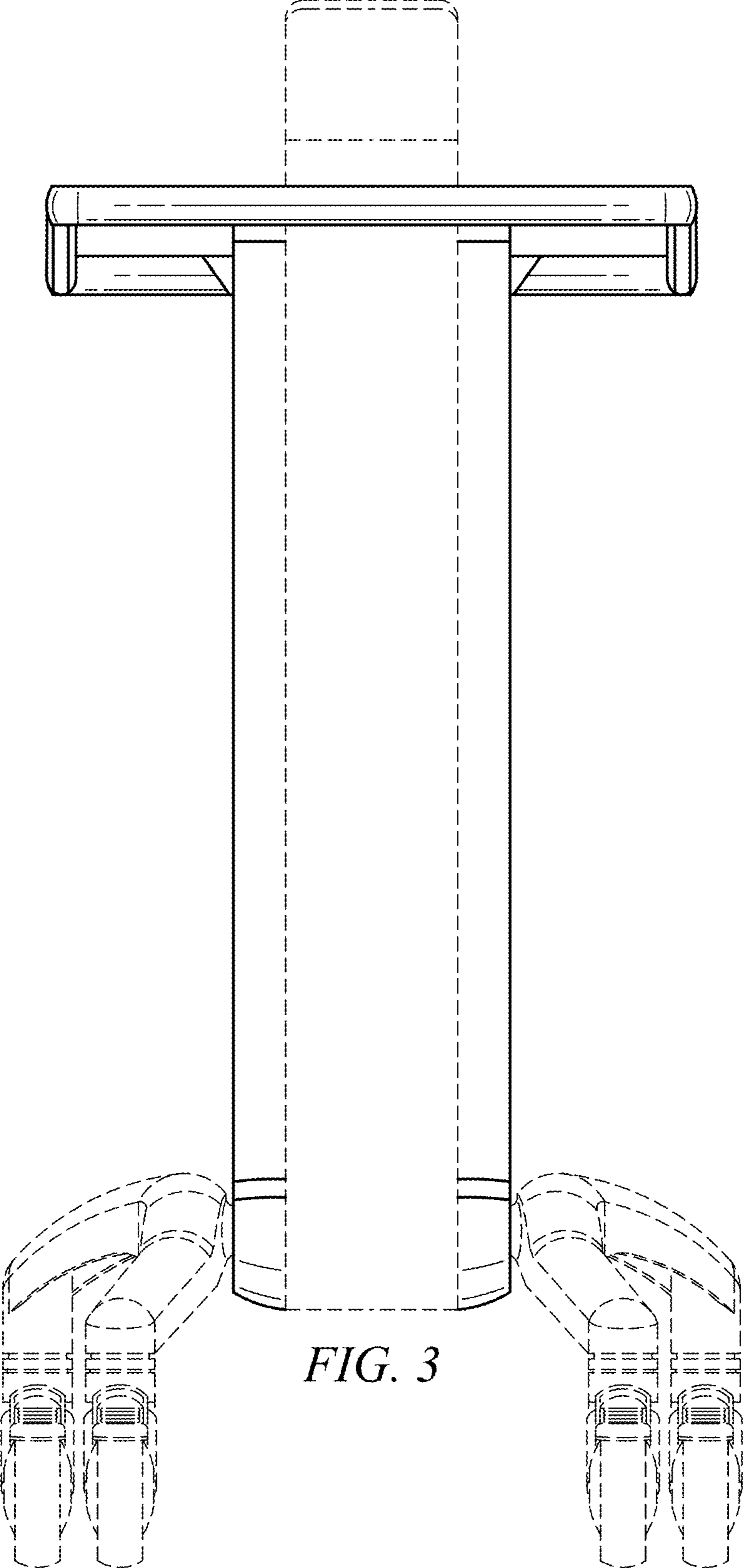


FIG. 3

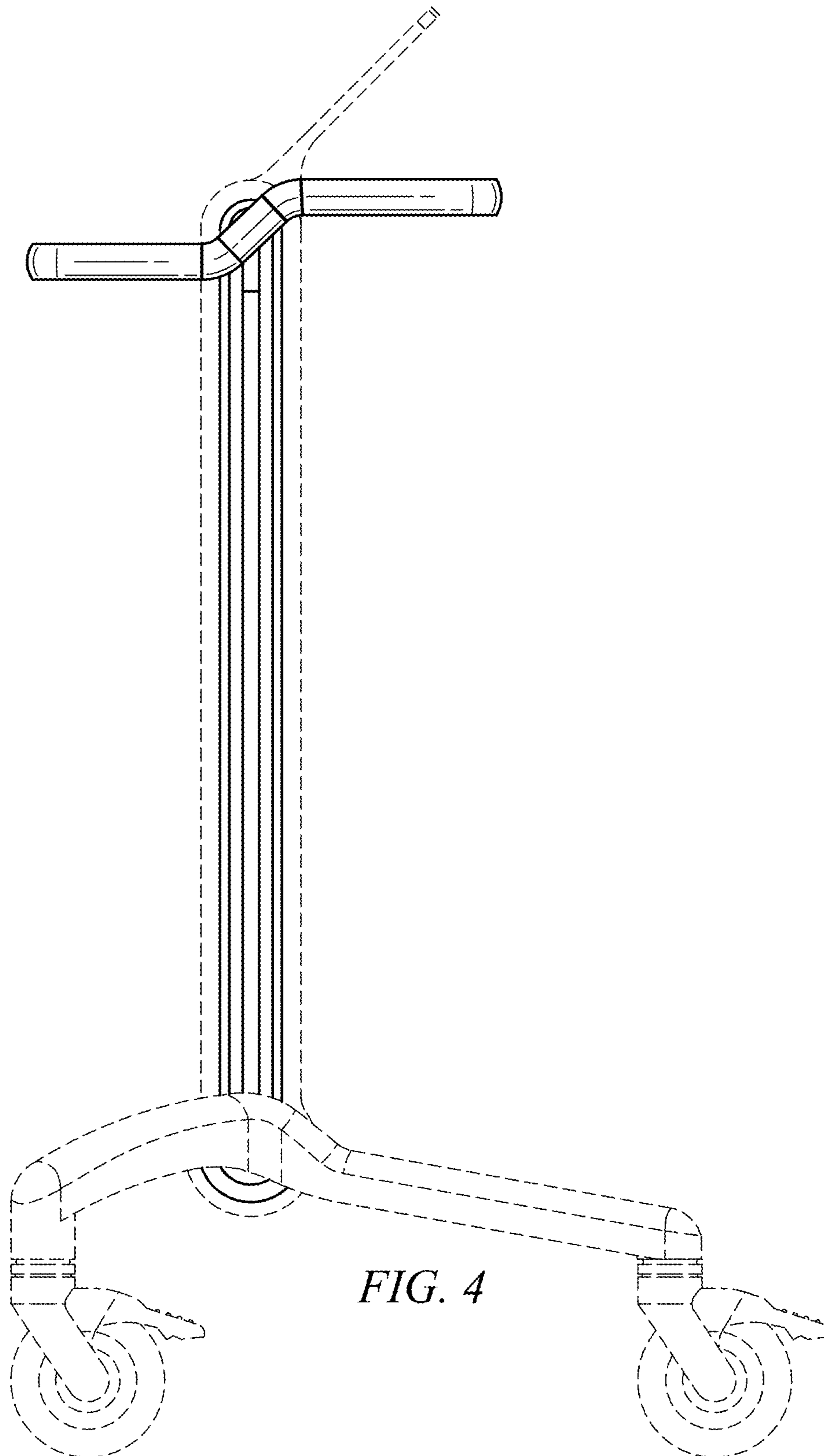
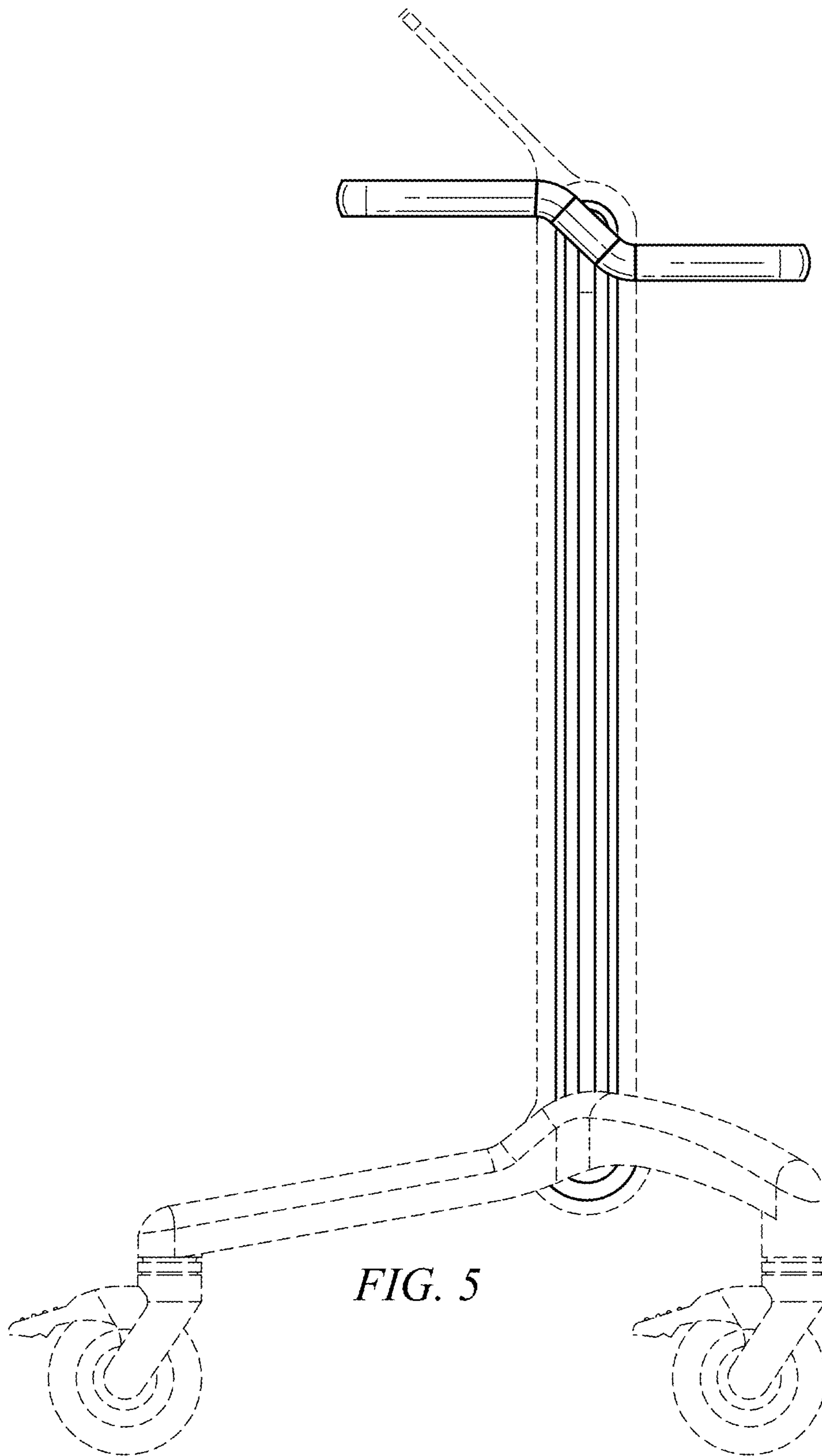


FIG. 4



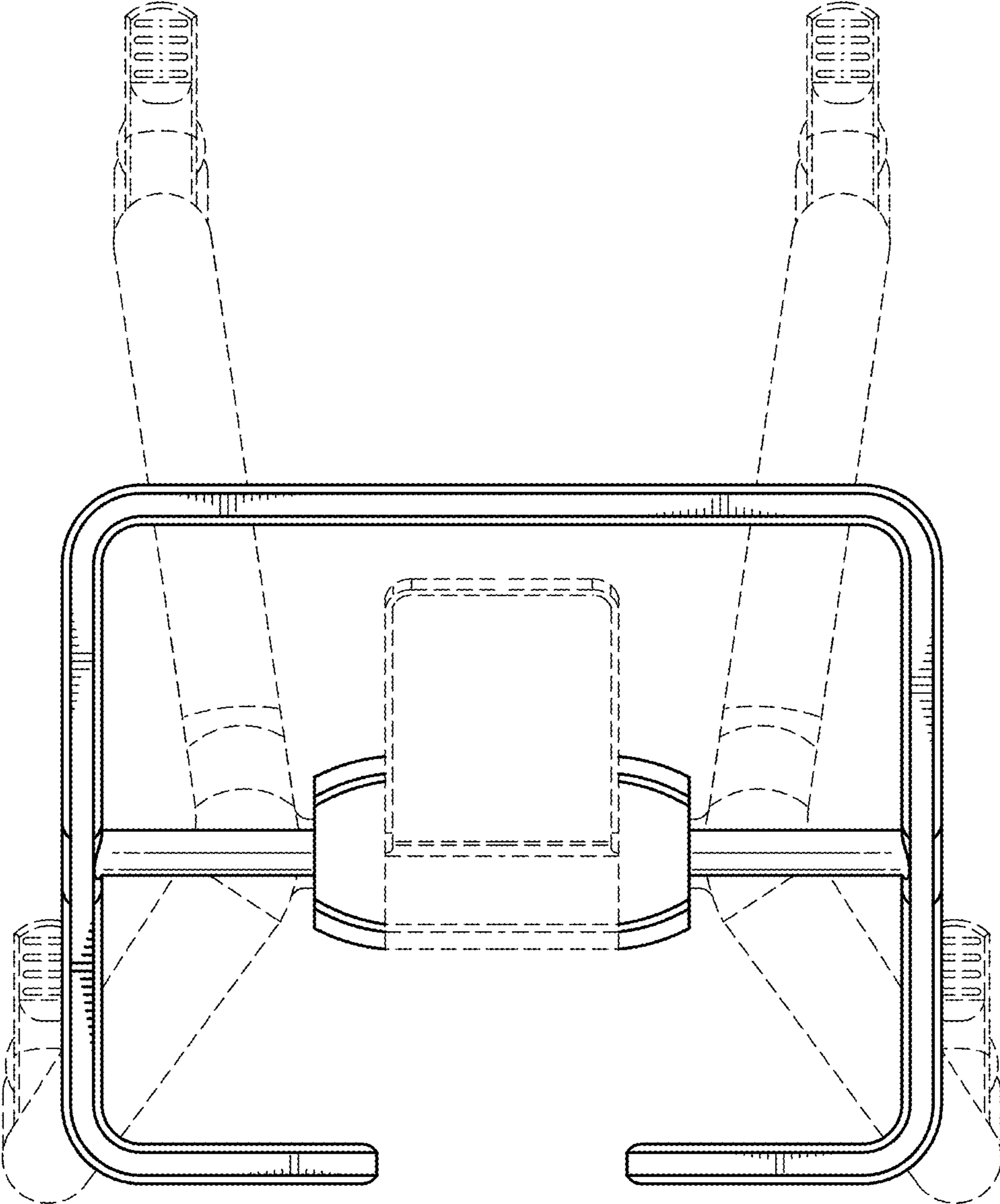


FIG. 6

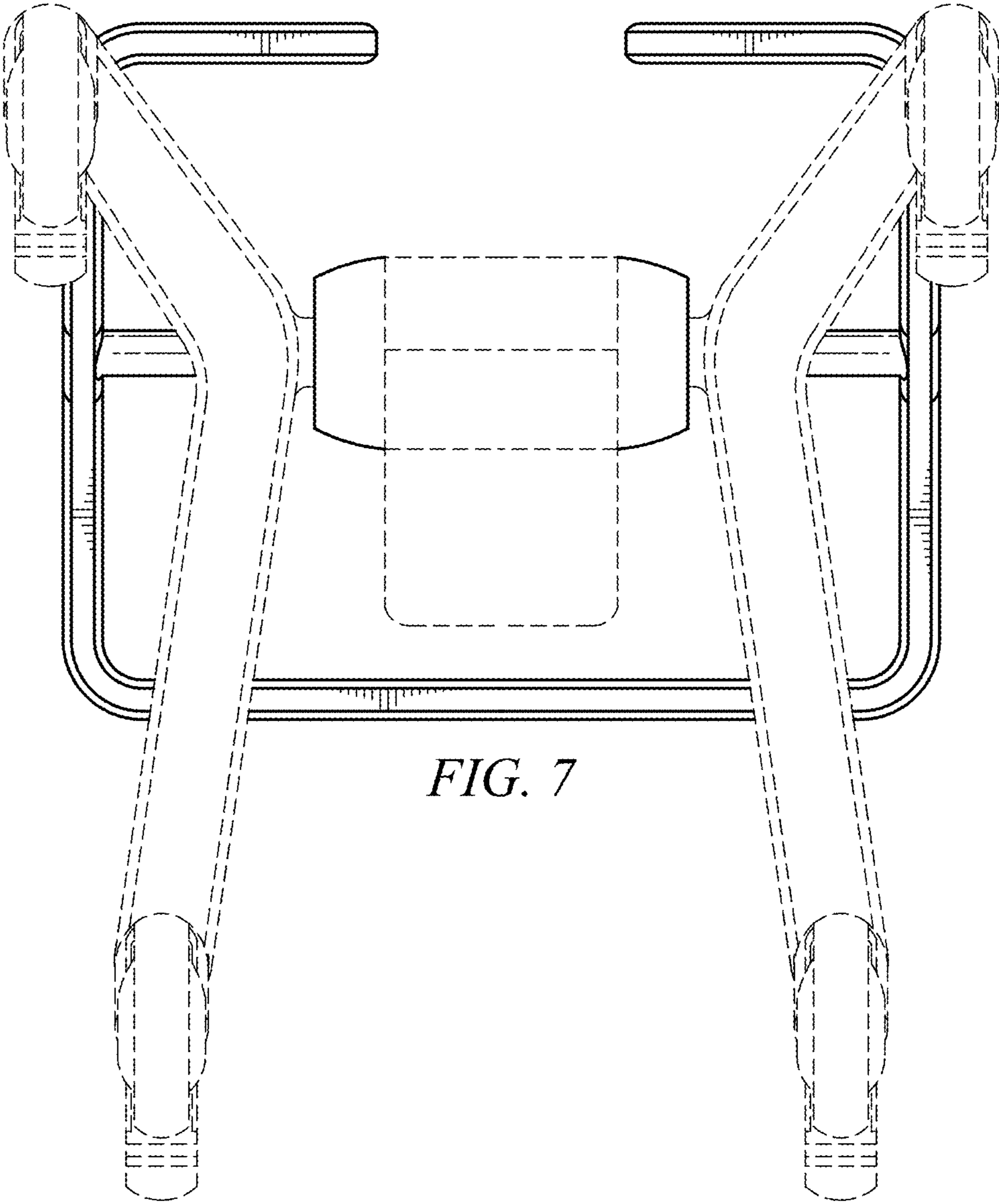


FIG. 7