



US00D866109S

(12) **United States Design Patent** (10) **Patent No.:** **US D866,109 S**
Hankey (45) **Date of Patent:** **** *Nov. 5, 2019**

(54) **LIFT POCKET FOR A REFUSE CONTAINER**

(56) **References Cited**

(71) Applicant: **J. Daniel Hankey**, Durant, OK (US)

U.S. PATENT DOCUMENTS

(72) Inventor: **J. Daniel Hankey**, Durant, OK (US)

2,583,626 A * 1/1952 Buell B28B 7/0041
249/101

(*) Notice: This patent is subject to a terminal disclaimer.

3,451,453 A 6/1969 Heck
4,157,609 A 6/1979 Schutz
4,186,844 A 2/1980 Swanson
4,315,574 A 2/1982 Forny et al.
4,373,849 A 2/1983 Robinson
4,676,431 A 6/1987 Teske et al.
4,726,616 A 2/1988 Schmidt
4,955,501 A 9/1990 Hodge

(**) Term: **15 Years**

(21) Appl. No.: **29/610,182**

(22) Filed: **Jul. 10, 2017**

(Continued)

Related U.S. Application Data

OTHER PUBLICATIONS

(63) Continuation of application No. 29/565,403, filed on May 20, 2016, now Pat. No. Des. 792,046, which is a continuation of application No. 14/529,444, filed on Oct. 31, 2014, now Pat. No. 10,011,424, which is a continuation of application No. 13/017,661, filed on Jan. 31, 2011, now Pat. No. 8,875,932.

Western Cascade Containers, LLC, Items: 1 Yard Poly Waste Container, 1.5 Yard Poly Waste Containers, 2 Yard Poly Waste Container, Searched Jan. 2018—Copyright 2010 (Year: 2010).*

(Continued)

(51) **LOC (12) Cl.** **09-09**

Primary Examiner — Cynthia Ramirez

(52) **U.S. Cl.**
USPC **D34/10**

(74) *Attorney, Agent, or Firm* — Gable Gotwals

(58) **Field of Classification Search**
USPC D25/119, 121, 122, 124, 126, 144;
D34/11, 10

(57) **CLAIM**

The ornamental design for lift pocket for a refuse container, as shown and described.

DESCRIPTION

CPC B65F 1/062; B65F 1/02; B65F 1/16; B65F 1/002; B65F 1/04; B65F 1/0013; B65F 2230/134; E04F 19/00; E04F 19/02; E04F 19/022; E04F 19/026; E04F 19/04; E04F 19/06; E04F 19/061; E04F 13/065; E04F 13/066; E04F 13/068; E04F 2019/0404; E04F 2019/0454; E04C 2003/0482; E04C 3/02; E04C 3/04; E04C 3/12; E04C 3/292; E04C 2003/0404; E04C 2003/0452; E04C 2003/046; E04B 2/00; E04B 7/00; E04B 5/12; E04D 13/15; E04D 13/0459; E04D 1/36

FIG. 1 is a front elevation view of a lift pocket for a refuse container.

FIG. 2 is a top plan view thereof, the bottom plan view being identical thereto.

FIG. 3 is a right side elevation view.

FIG. 4 is a left side elevation view.

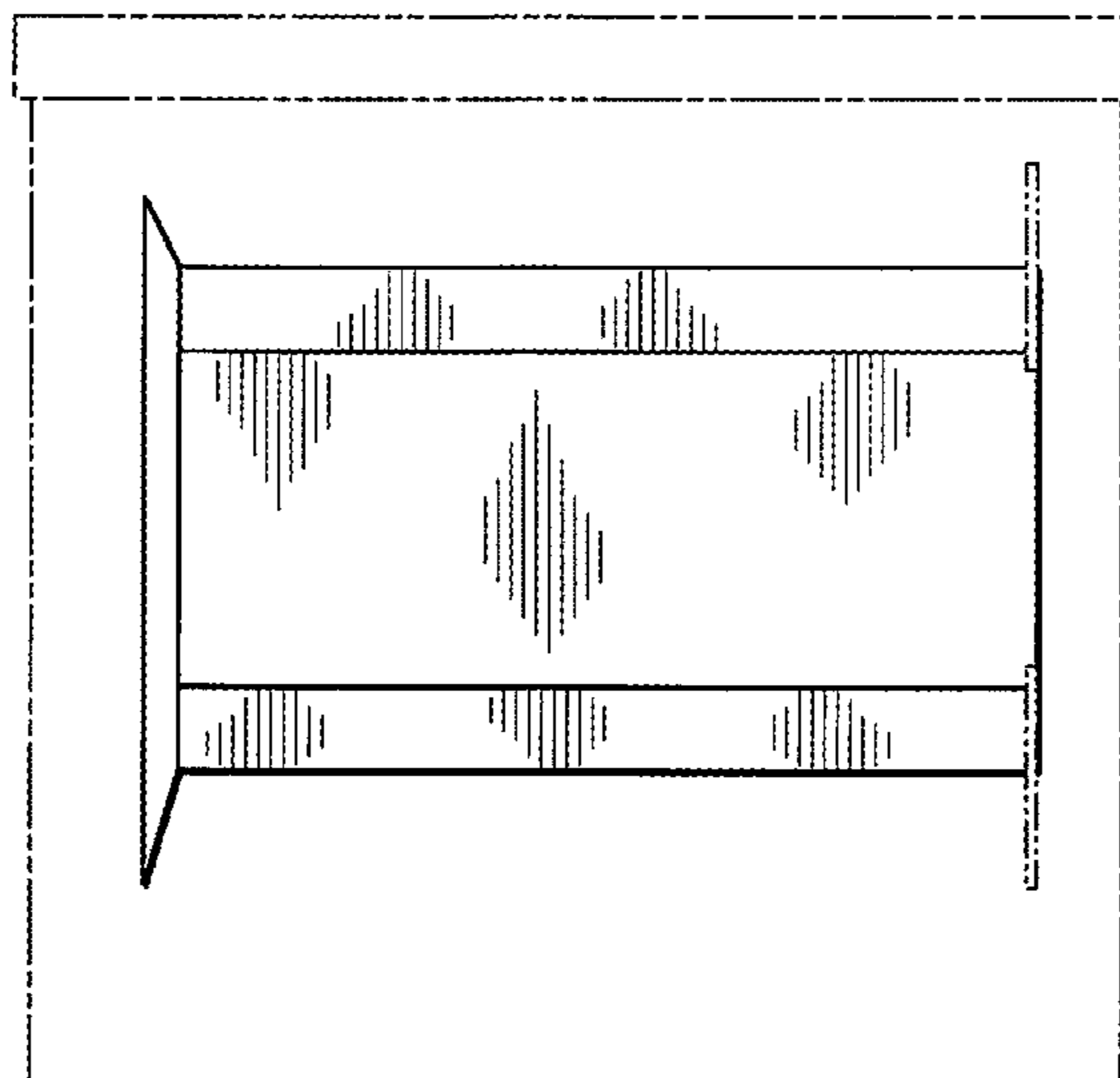
FIG. 5 is a rear elevation view; and,

FIG. 6 is a perspective view showing the front, top, and right side.

The dash-dot-dot broken lines in the figures are to show environment and form no part of the claimed design.

See application file for complete search history.

1 Claim, 3 Drawing Sheets



(56)

References Cited

U.S. PATENT DOCUMENTS

5,118,000 A 6/1992 Howell et al.
 5,330,071 A 7/1994 Parker
 D351,702 S 10/1994 Breen
 D351,703 S 10/1994 Breen
 5,423,448 A 6/1995 Pedigo
 5,490,606 A 2/1996 Lombardo
 D376,456 S 12/1996 Presnell et al.
 5,878,904 A 3/1999 Schweigert
 5,984,697 A * 11/1999 Moran H01R 13/24
 439/92
 D422,450 S 4/2000 Conti
 6,146,048 A * 11/2000 Stibolt E04F 19/06
 24/462
 D447,575 S * 9/2001 Shaw D25/121
 D448,495 S * 9/2001 Lamberts D25/109
 6,293,064 B1 * 9/2001 Larson E04B 1/762
 52/209
 6,702,135 B2 3/2004 Pickler
 7,185,783 B1 3/2007 Miller
 7,766,186 B1 8/2010 Brown
 D645,907 S * 9/2011 Sandel D20/22
 8,066,144 B2 11/2011 McNamara et al.

8,123,061 B1 2/2012 Brown
 D792,046 S * 7/2017 Hankey B65F 1/02
 D34/10
 2002/0139079 A1 * 10/2002 Brady E04B 2/7457
 52/653.1
 2004/0045239 A1 * 3/2004 Milu E04F 19/02
 52/311.1
 2004/0262320 A1 12/2004 Pruett
 2006/0060593 A1 3/2006 Maggio et al.
 2009/0032545 A1 2/2009 Zeiler et al.
 2009/0179444 A1 7/2009 Apps et al.
 2011/0000382 A1 1/2011 Sherwood et al.

OTHER PUBLICATIONS

poynetteironworks.com, Polynette Iron Works Inc., 2016 Complete Marketing Book, p. 7 Item 8yd Front Load; p. 10 4yd Front low Profile 2 Lid, searched Jan. 2018, Published 2016 (Year: 2016).*
 Maxi, http://rachelmaxi.blogspot.com/2008/06/upcoming-show-at-some-space-gallery_05.html, Jun. 5, 2008.
 Nailade, <http://eat3d.com/forum/art-gallery/garbage-dumpster>, Jul. 22, 2010.

* cited by examiner

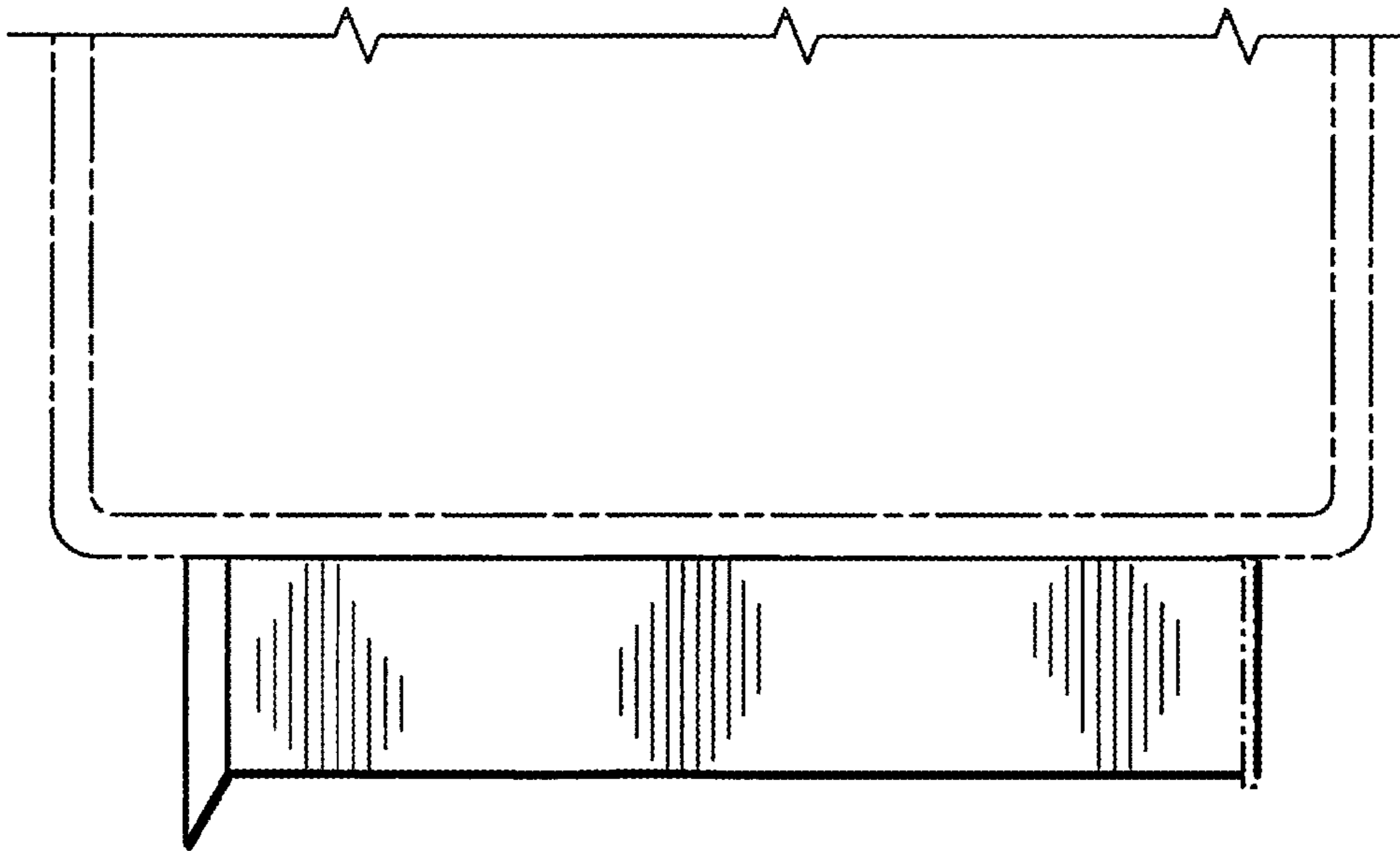


Fig. 2

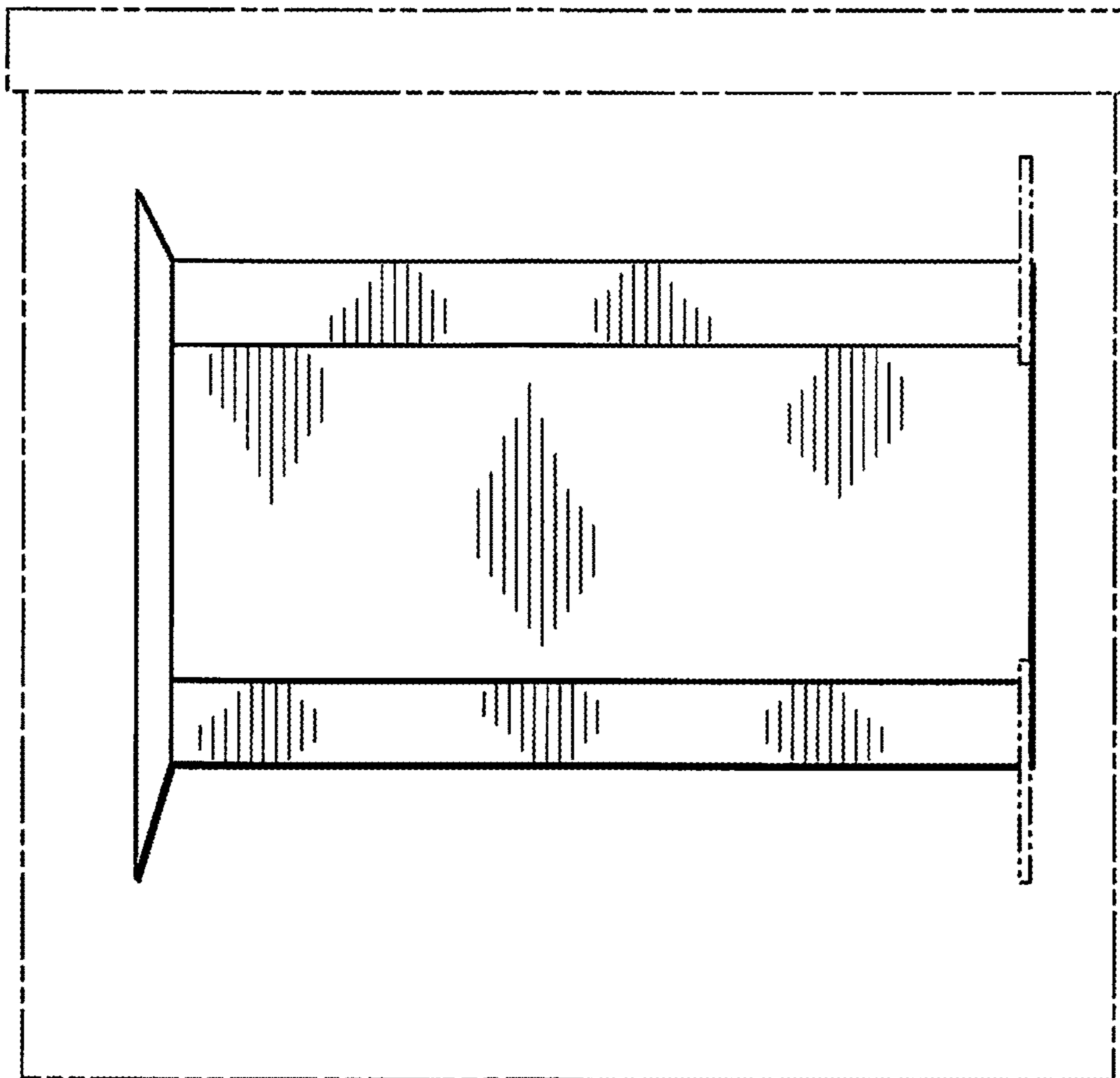


Fig. 1

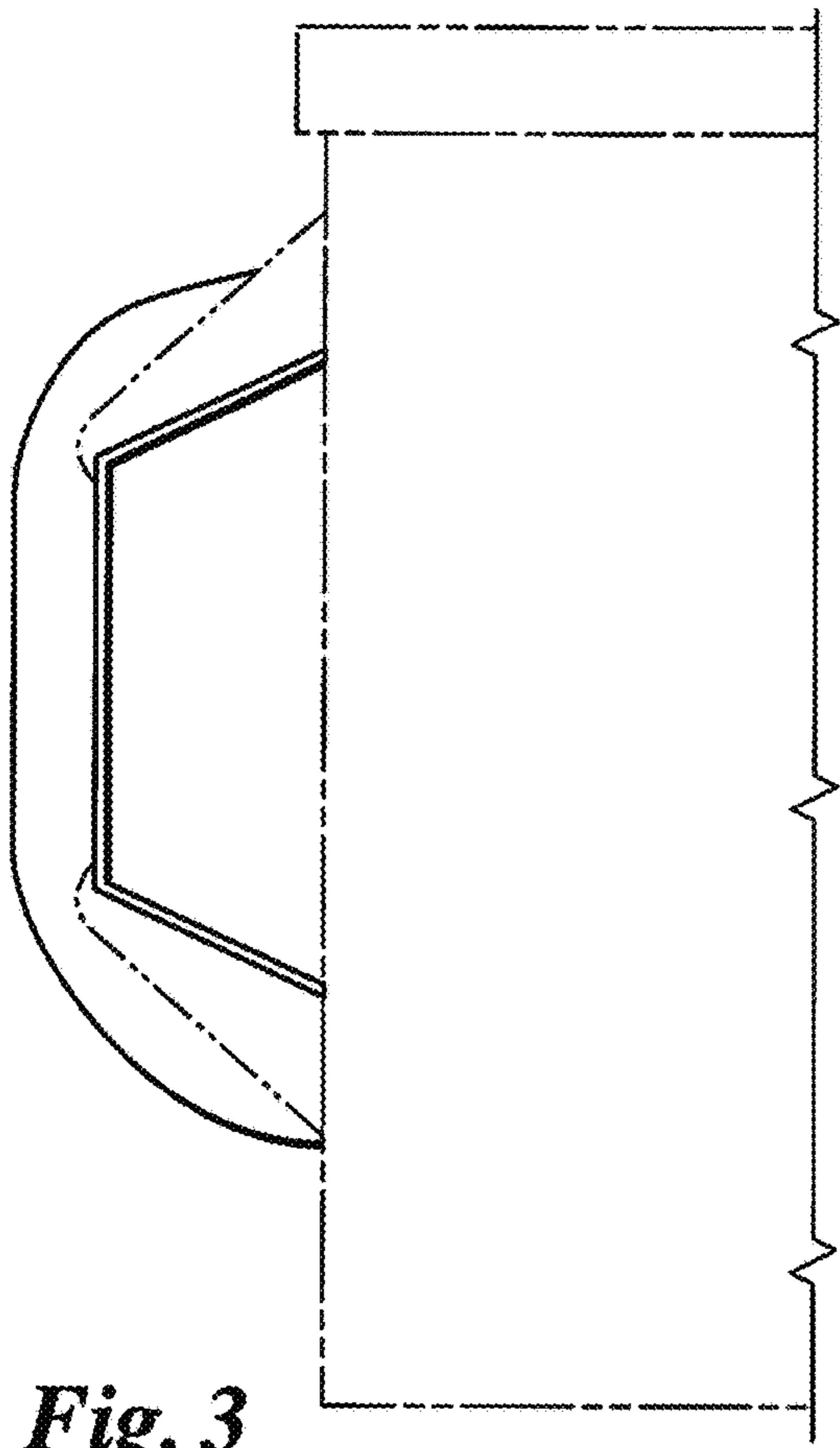


Fig. 3

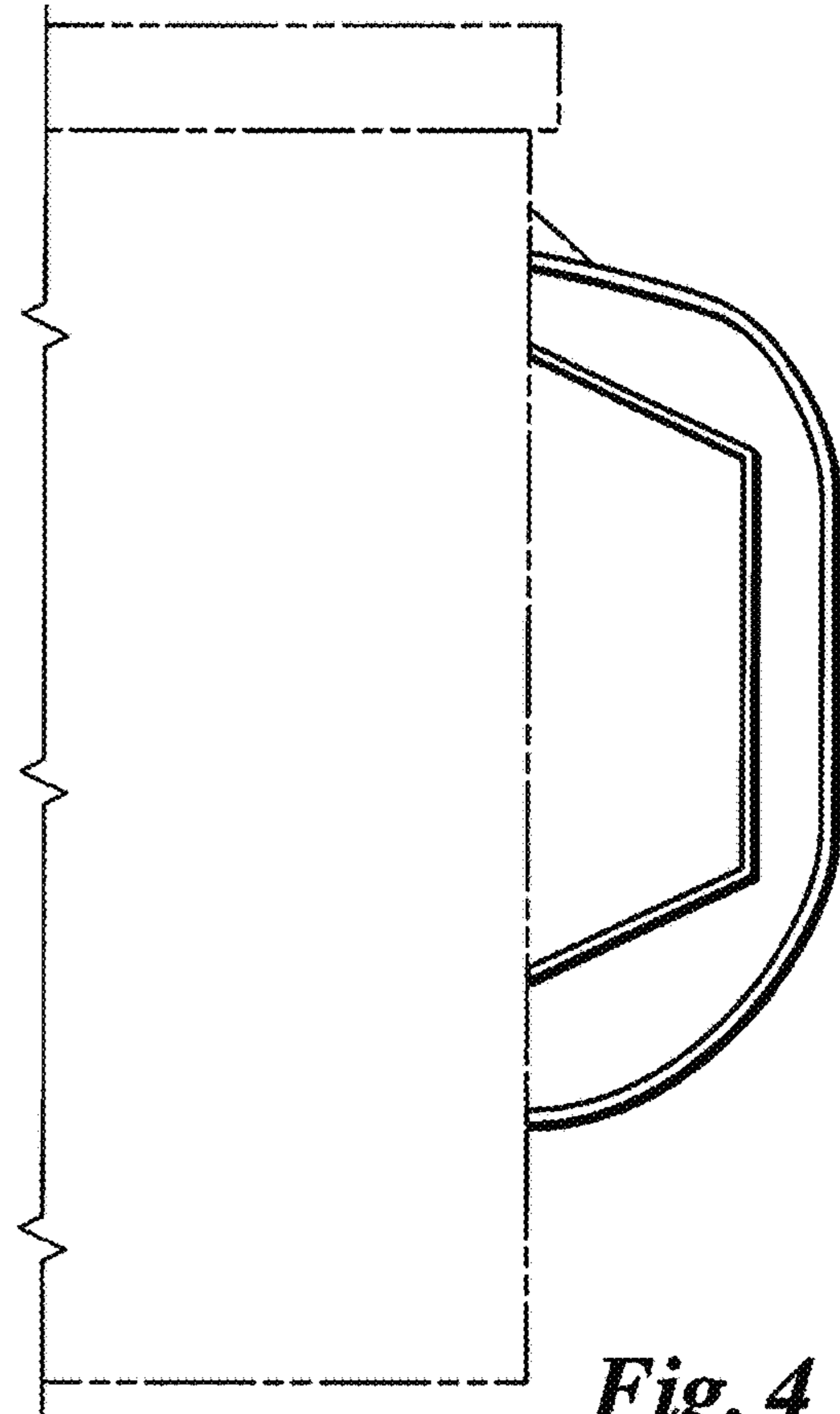


Fig. 4

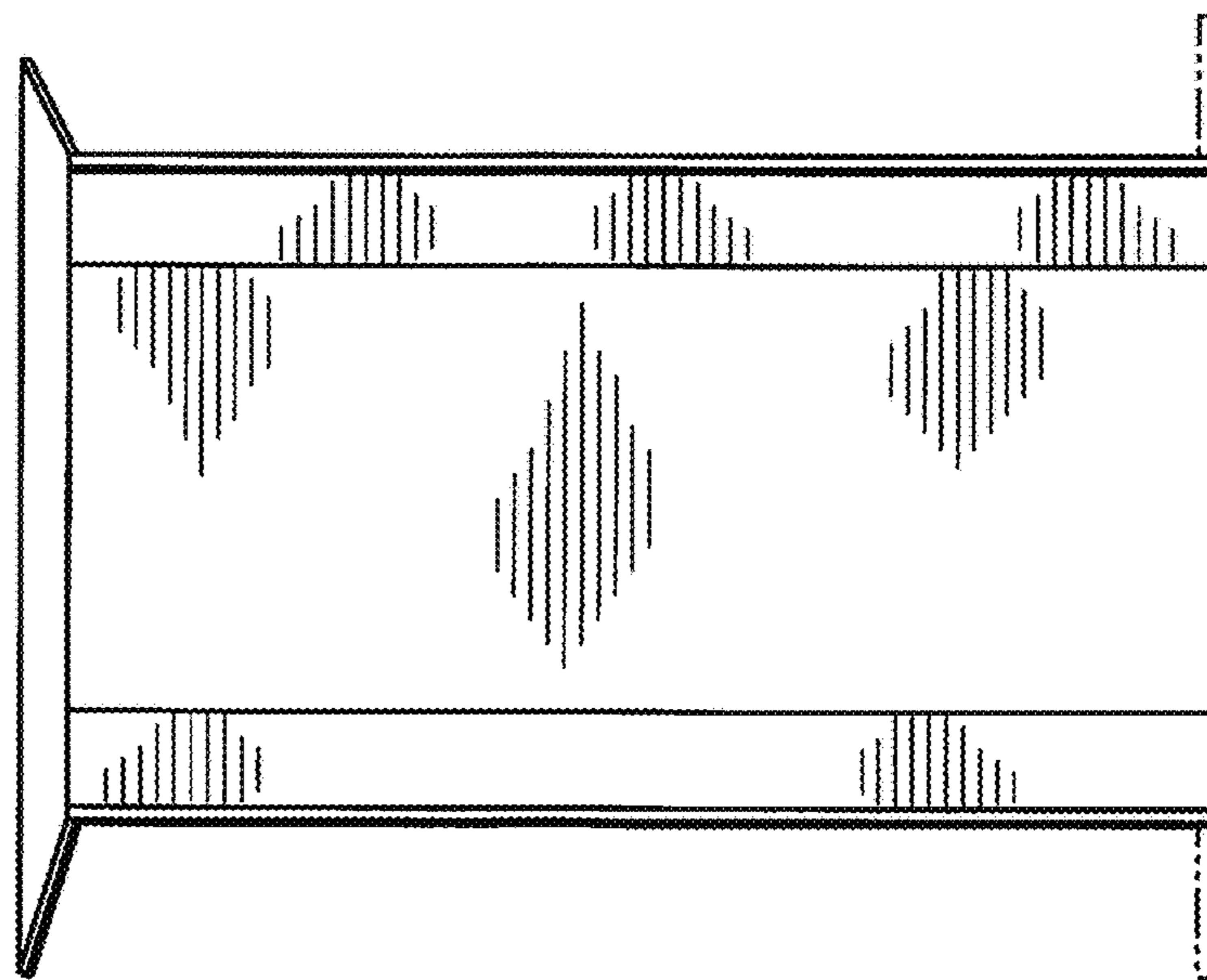


Fig. 5

