



US00D866104S

(12) **United States Design Patent**
Rao

(10) **Patent No.:** **US D866,104 S**

(45) **Date of Patent:** **** Nov. 5, 2019**

(54) **BRUSH CLEANER**

(71) Applicant: **Yunxiang Rao**, Guangdong (CN)

(72) Inventor: **Yunxiang Rao**, Guangdong (CN)

(73) Assignee: **SHENZHEN YUNXIANG SIHAI TECHNOLOGY CO., LTD.**,
Shenzhen, Guangdong (CN)

(**) Term: **15 Years**

(21) Appl. No.: **29/633,524**

(22) Filed: **Jan. 15, 2018**

(51) **LOC (12) Cl.** **15-05**

(52) **U.S. Cl.**
USPC **D32/35**

(58) **Field of Classification Search**
USPC D32/23, 35, 100, 1; D28/73; D19/35,
D19/108
CPC .. B08B 11/02; A46B 2200/1053; A45D 44/00
See application file for complete search history.

(56) **References Cited**

U.S. PATENT DOCUMENTS

3,739,416 A * 6/1973 Kurachi A61C 17/26
15/23
D385,703 S * 11/1997 Etter D4/101

D690,945 S * 10/2013 Williams D4/128
D752,833 S * 3/2016 Espin D32/35
9,380,860 B1 * 7/2016 Taylor A46B 17/06
D818,658 S * 5/2018 Pellereau D32/35
D836,870 S * 12/2018 Pellereau D32/35
2014/0096801 A1 * 4/2014 McCormick B08B 11/02
134/115 R
2017/0196340 A1 * 7/2017 Duru A46B 15/0014

* cited by examiner

Primary Examiner — Michelle E. Wilson

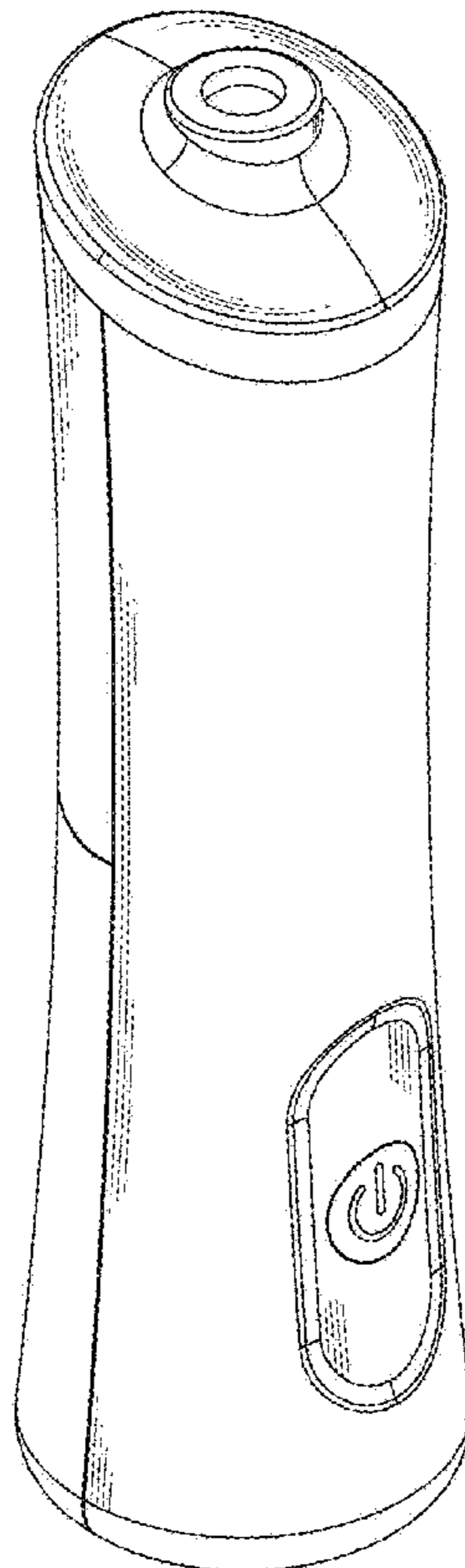
(57) **CLAIM**

The ornamental design for a brush cleaner, as shown and described.

DESCRIPTION

FIG. 1 is a perspective view of a brush cleaner showing my new design;
FIG. 2 is a front elevational view thereof;
FIG. 3 is a rear elevational view thereof;
FIG. 4 is a left side elevational view thereof;
FIG. 5 is a right side elevational view thereof;
FIG. 6 is a top plan view thereof; and,
FIG. 7 is a bottom plan view thereof.

1 Claim, 7 Drawing Sheets



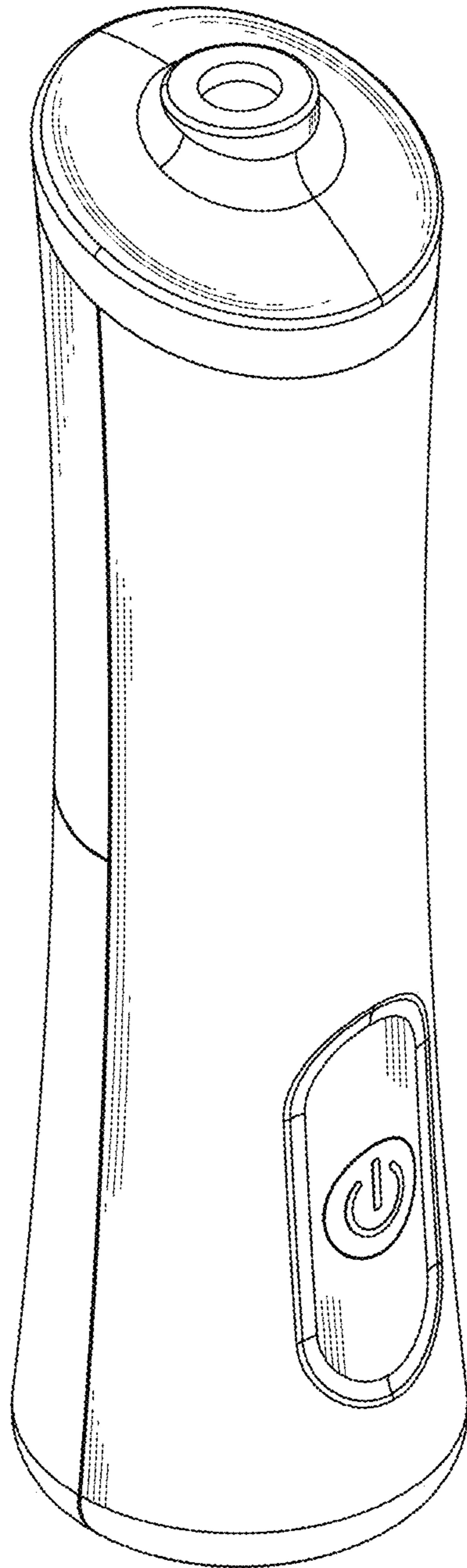


FIG.1

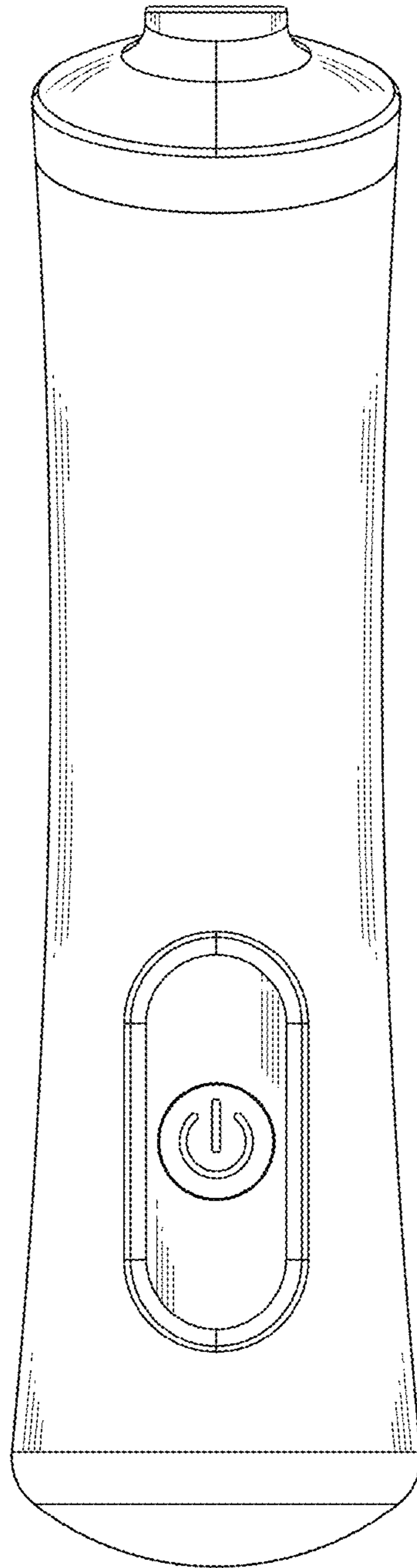


FIG.2

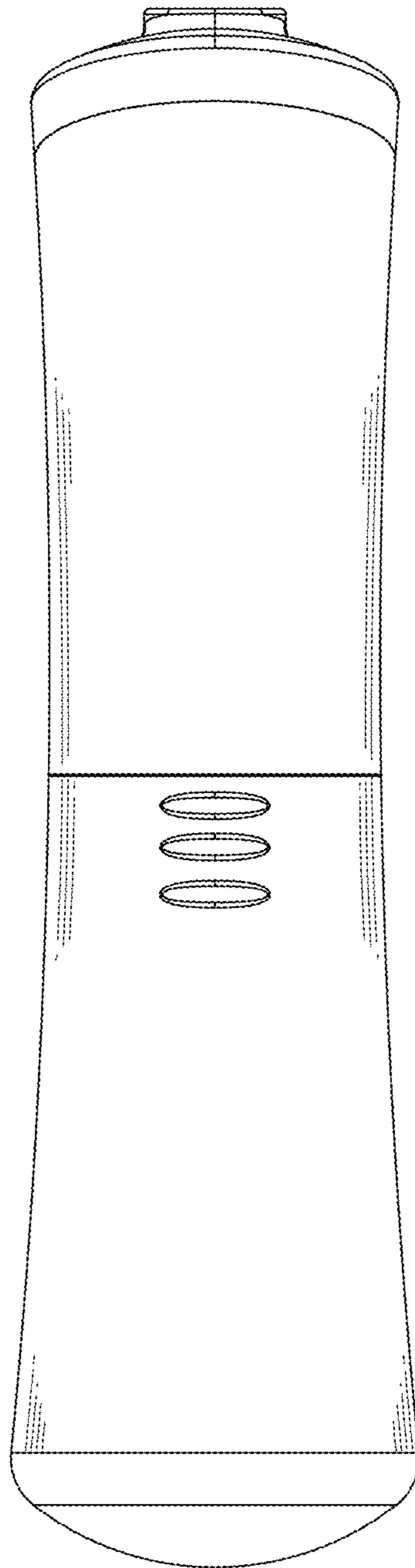


FIG.3

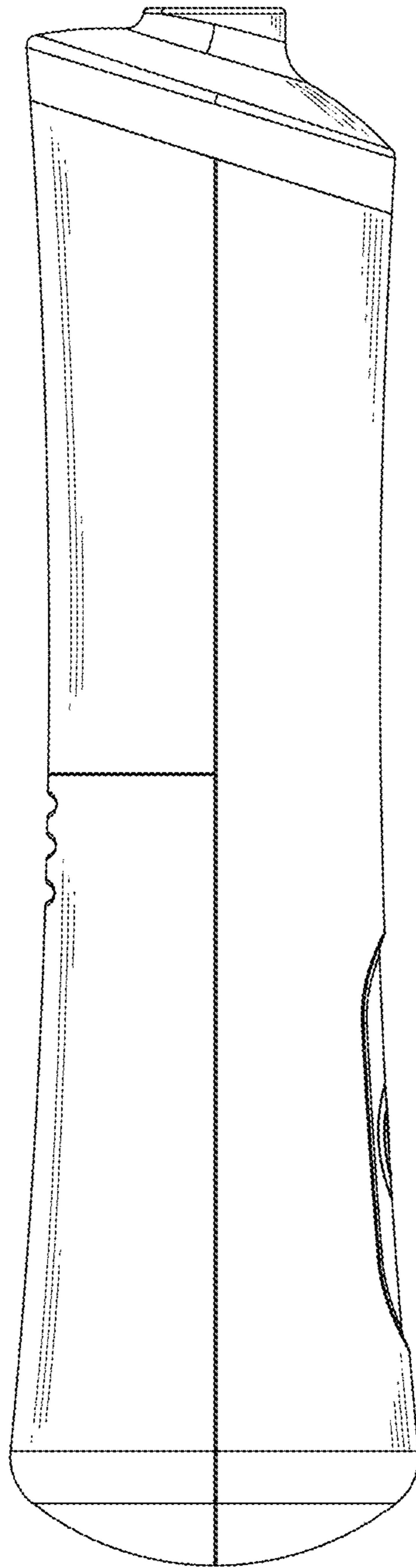


FIG.4

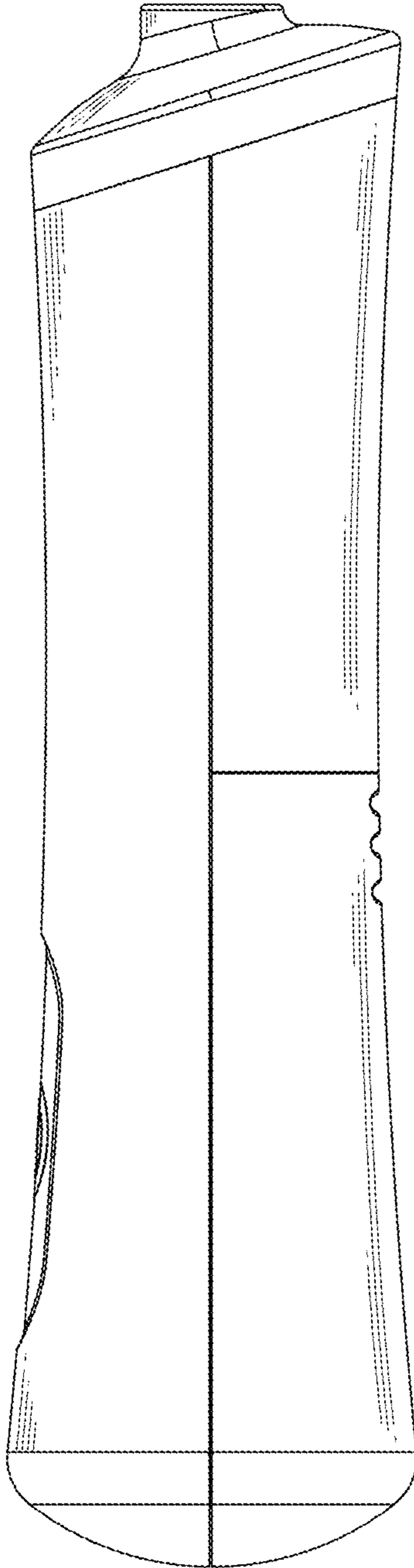


FIG. 5

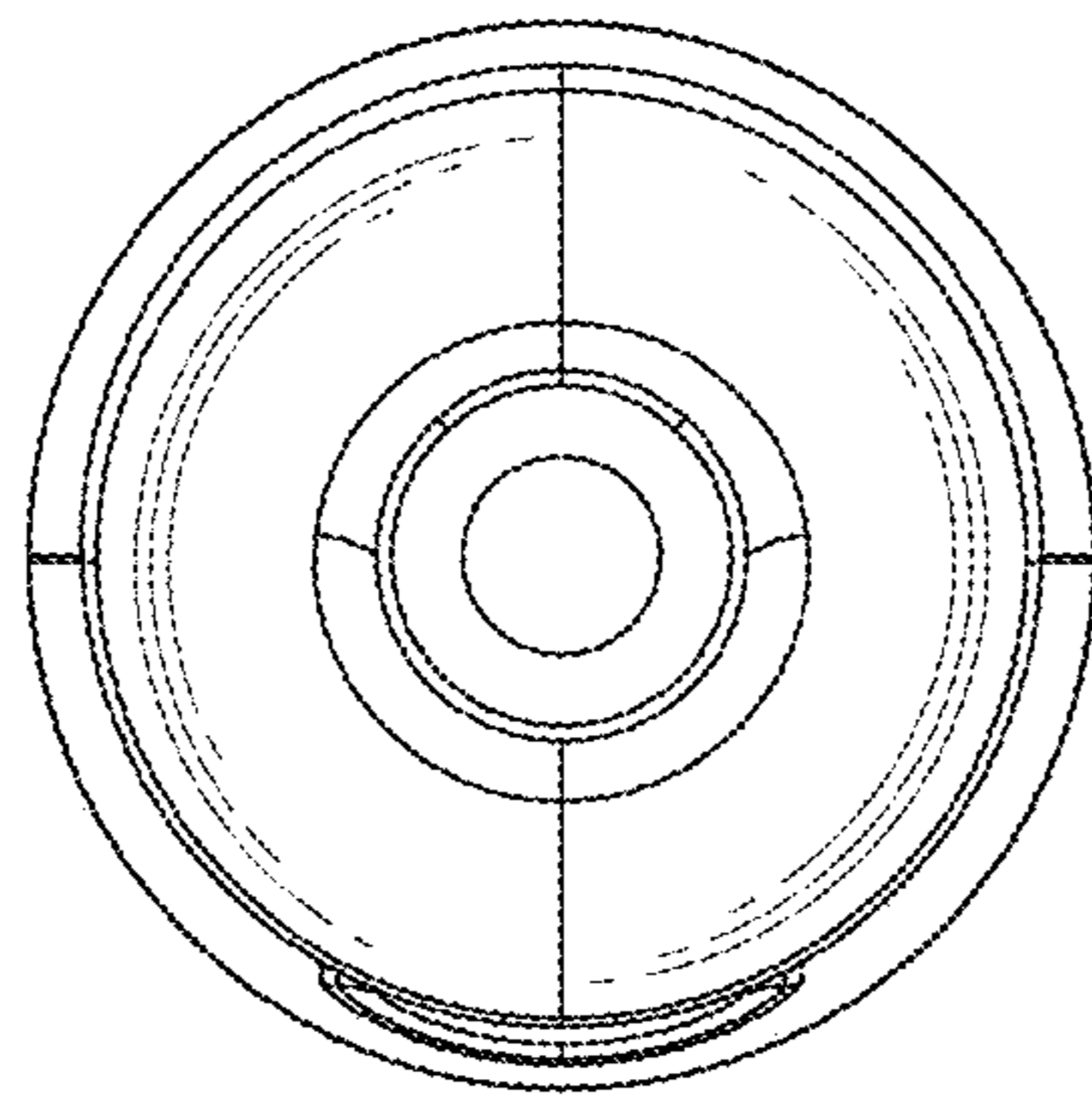


FIG.6

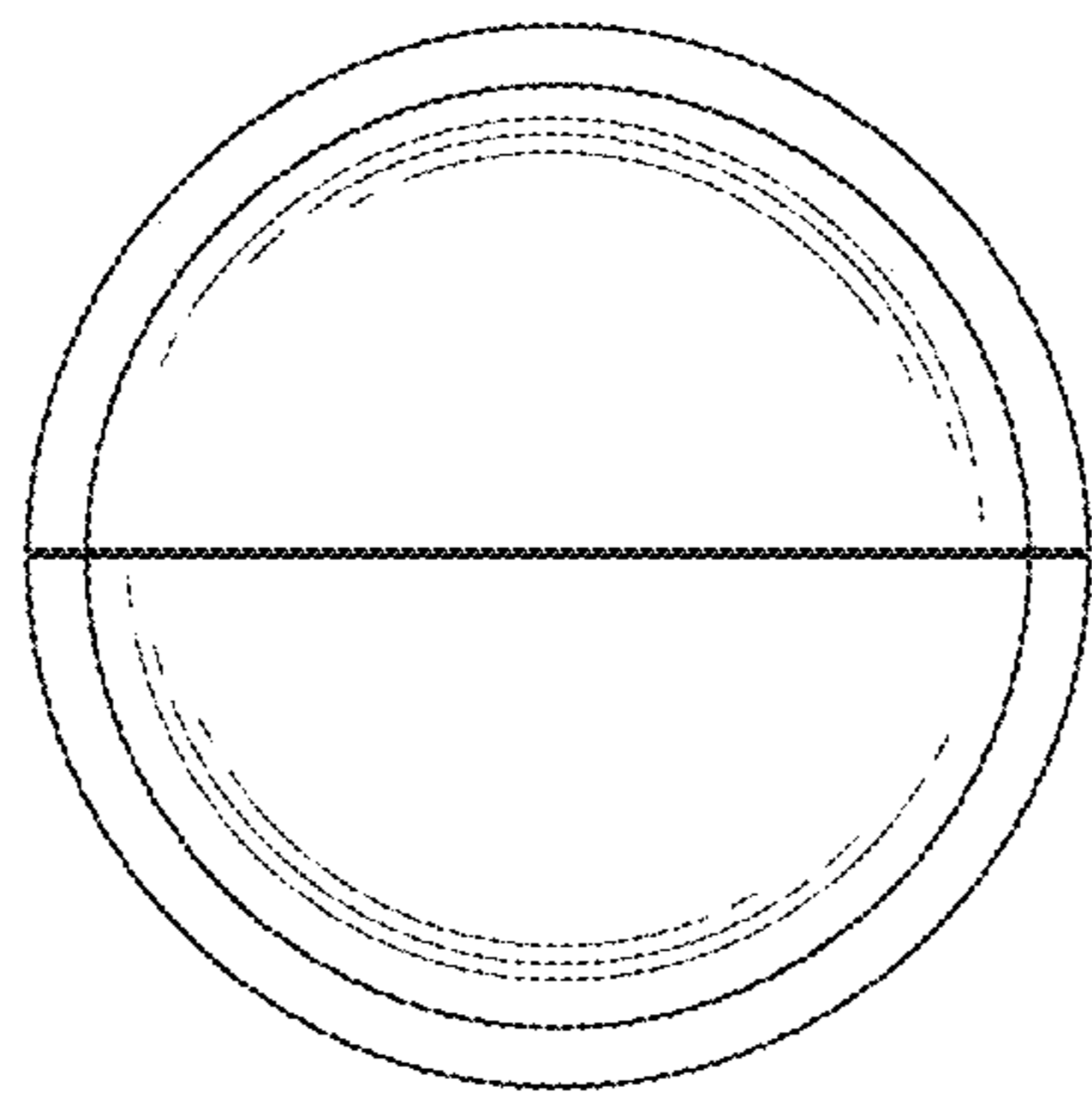


FIG.7