

US00D866103S

(12) **United States Design Patent**
Dorman

(10) **Patent No.:** **US D866,103 S**

(45) **Date of Patent:** **** Nov. 5, 2019**

(54) **VACUUM CLEANER**

(71) Applicant: **MILWAUKEE ELECTRIC TOOL CORPORATION**, Brookfield, WI (US)

(72) Inventor: **Justin D. Dorman**, Wauwatosa, WI (US)

(73) Assignee: **MILWAUKEE ELECTRIC TOOL CORPORATION**, Brookfield, WI (US)

(**) Term: **15 Years**

(21) Appl. No.: **29/630,291**

(22) Filed: **Dec. 20, 2017**

(51) **LOC (12) Cl.** **15-05**

(52) **U.S. Cl.**
USPC **D32/21**

(58) **Field of Classification Search**
USPC D32/21, 23-24, 31
CPC A47L 11/34; A47L 11/29; A47L 11/30;
A47L 7/0019; A47L 7/0004; A47L
7/0023; A47L 9/00; A47L 9/1409; A47L
5/28; A47L 5/38; A47L 5/36
See application file for complete search history.

(56) **References Cited**

U.S. PATENT DOCUMENTS

5,732,867	A	3/1998	Perkins et al.	
D398,426	S *	9/1998	Bisson	D32/21
D446,365	S *	8/2001	Bisson	D32/21
D455,531	S *	4/2002	Cartellone	D32/23
D459,039	S *	6/2002	Bisson	D32/21
6,557,206	B1	5/2003	Liu	
D518,927	S *	4/2006	Rupp	D32/21
D521,695	S *	5/2006	Jacobs	D32/21
D525,002	S *	7/2006	Wiedemann	D32/23
D534,697	S *	1/2007	Reick-Mitrisin	D32/21
7,287,300	B2	10/2007	Rupp et al.	
D572,420	S *	7/2008	Genoa	D32/21

D599,063	S *	8/2009	Catron	D32/21
D601,314	S *	9/2009	Catron	D32/21
7,721,384	B2	5/2010	Crevling, Jr. et al.	
8,181,833	B2	5/2012	Wangeby et al.	
D680,284	S *	4/2013	Bilger	D32/21
D686,789	S *	7/2013	Bisson	D32/21

(Continued)

FOREIGN PATENT DOCUMENTS

CN	201641880	U	11/2010
CN	106923740	A	7/2017

(Continued)

OTHER PUBLICATIONS

International Search Report and Written Opinion for Application No. PCT/US2018/054279 dated Jan. 31, 2019, 12 pages.

Primary Examiner — Ruth McInroy

(74) *Attorney, Agent, or Firm* — Michael Best & Friedrich LLP

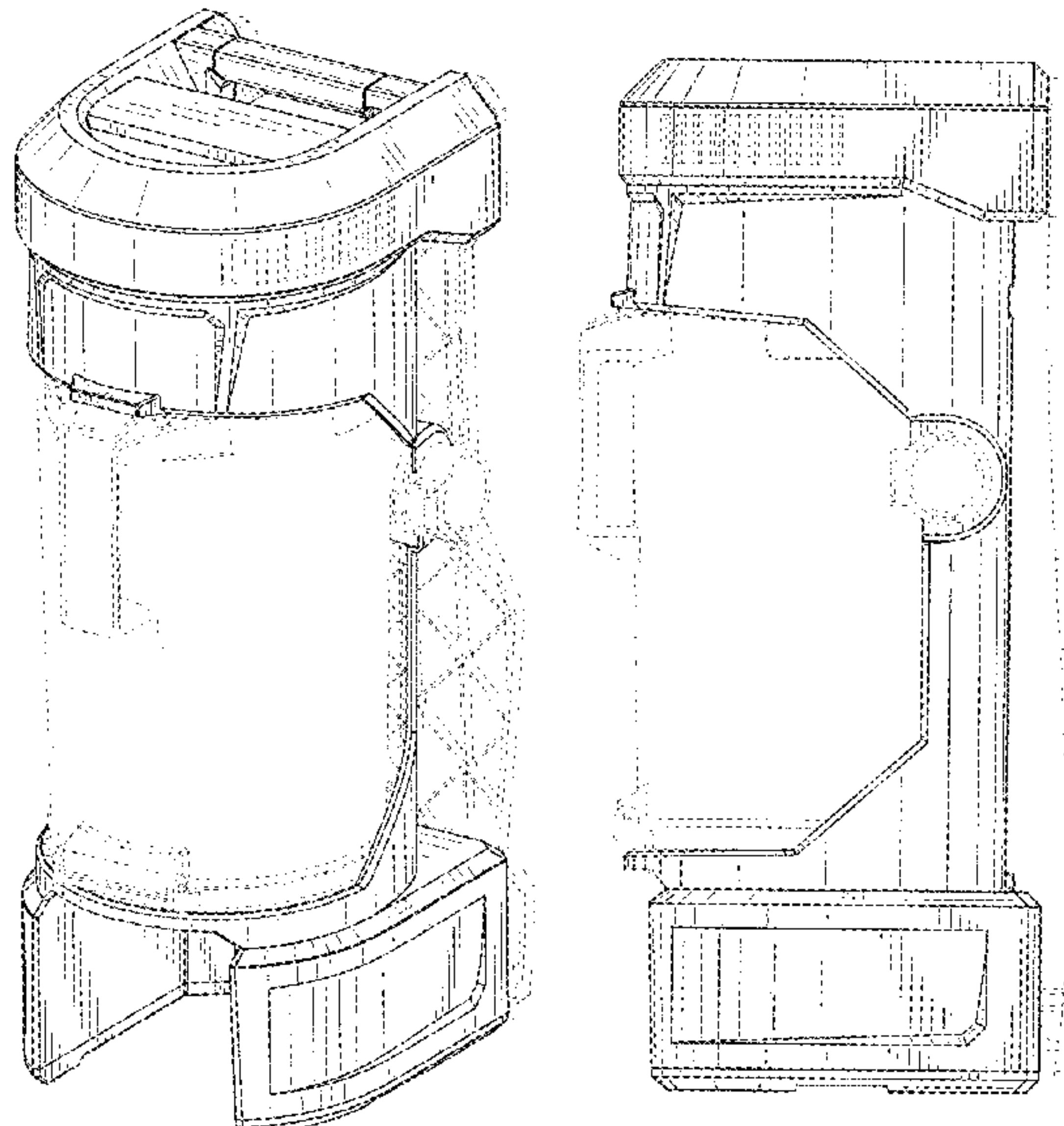
(57) **CLAIM**

I claim the ornamental design for a vacuum cleaner, as shown and described.

DESCRIPTION

FIG. 1 is a perspective view of a vacuum cleaner showing my new design;
FIG. 2 is a left-side view of the vacuum cleaner of FIG. 1.
FIG. 3 is a right-side view of the vacuum cleaner of FIG. 1.
FIG. 4 is a front view of the vacuum cleaner of FIG. 1.
FIG. 5 is a rear view of the vacuum cleaner of FIG. 1.
FIG. 6 is a top view of the vacuum cleaner of FIG. 1; and,
FIG. 7 is a bottom view of the vacuum cleaner of FIG. 1.
The portions of the vacuum cleaner shown in broken lines are included for the purpose of illustrating environment and form no part of the claimed design.

1 Claim, 6 Drawing Sheets



(56)

References Cited

U.S. PATENT DOCUMENTS

D696,479 S * 12/2013 Wiggins D32/21
D726,978 S * 4/2015 Tomasiak D32/21
9,259,126 B2 2/2016 Niederman
9,486,120 B2 11/2016 Day
9,675,219 B1 6/2017 Chaffin
D828,659 S * 9/2018 Scott D32/21
D847,446 S * 4/2019 Genoa D32/21
2007/0292749 A1 12/2007 Coombs et al.
2015/0113759 A1 4/2015 Fukunaga et al.
2017/0007085 A1 1/2017 Tahara

FOREIGN PATENT DOCUMENTS

CN 106923741 A 7/2017
DE 202004005931 U1 6/2004

* cited by examiner

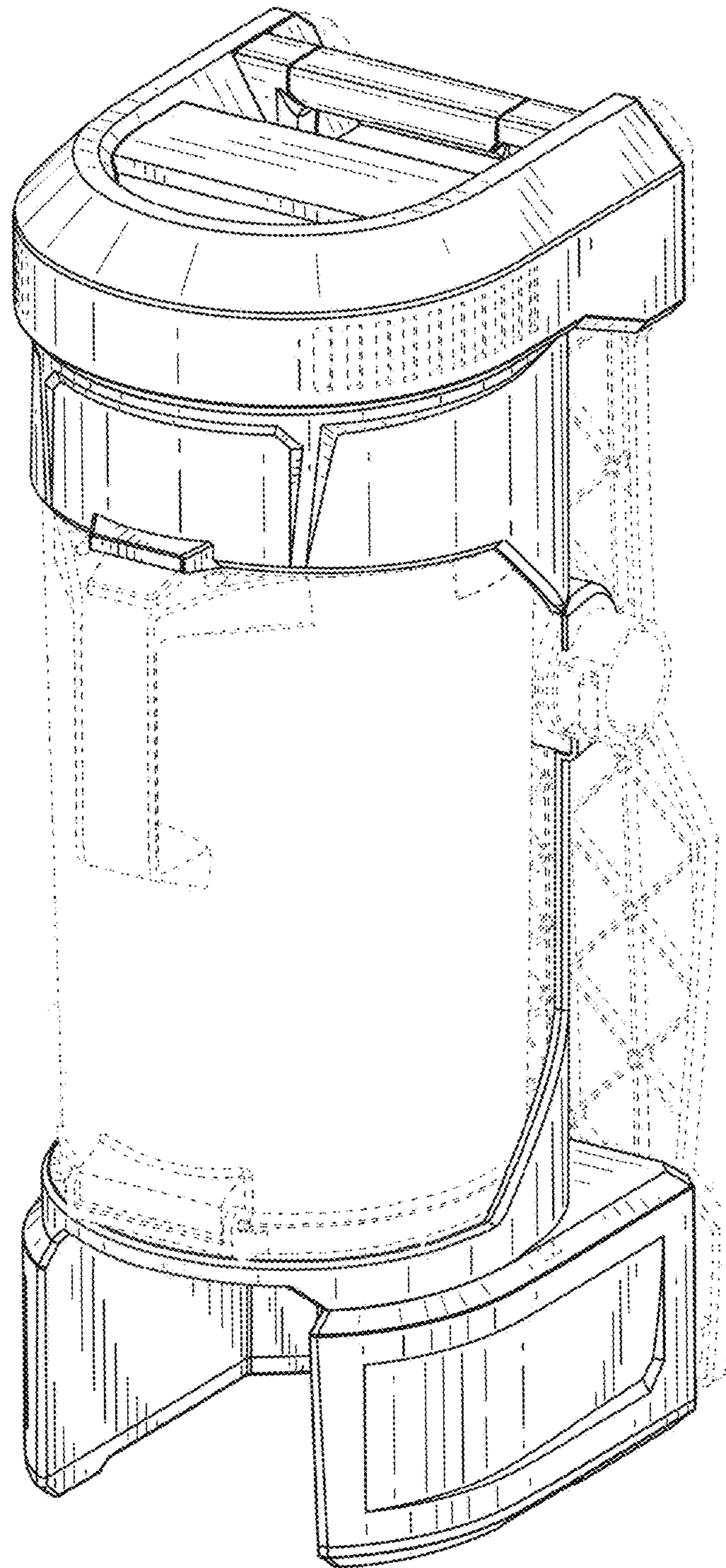


FIG. 1

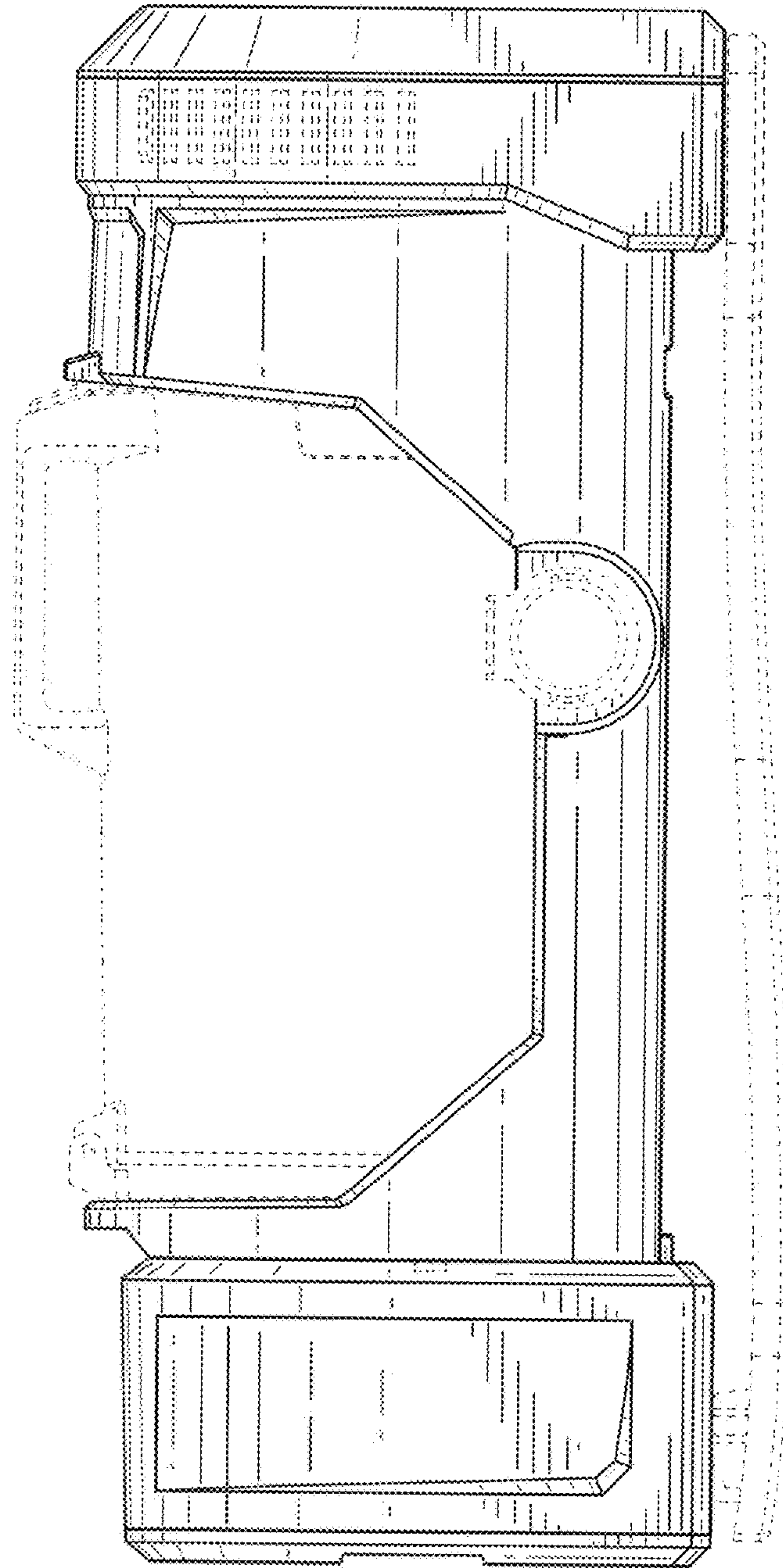


FIG. 2

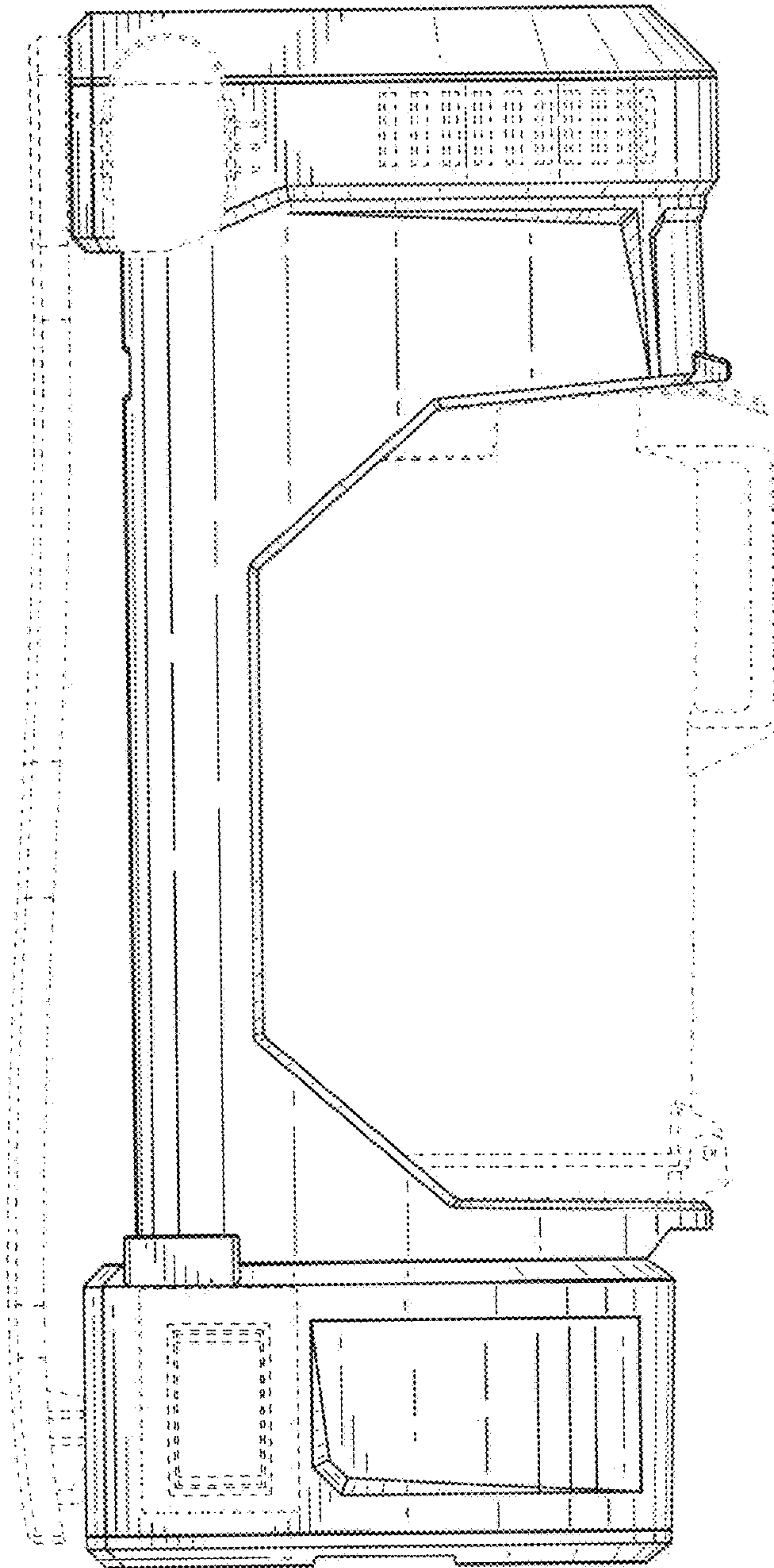


FIG. 3

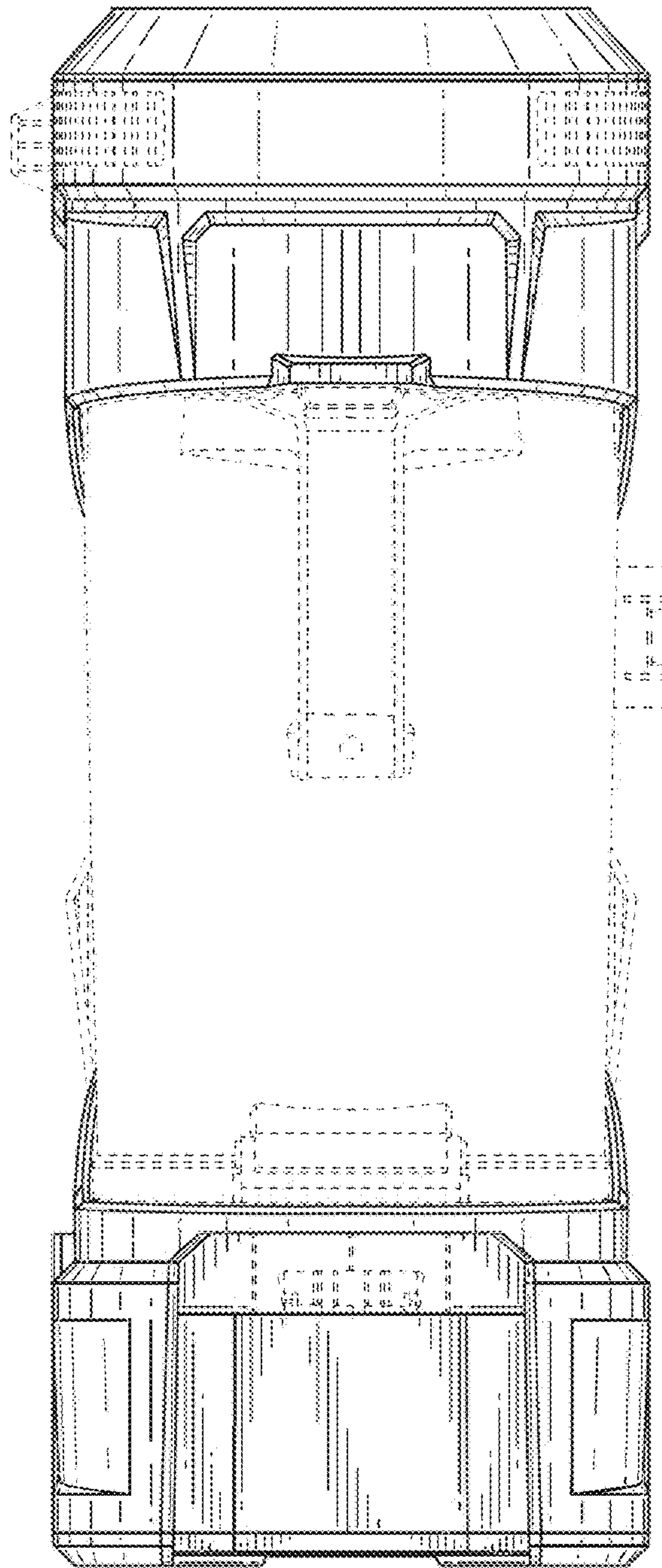


FIG. 4

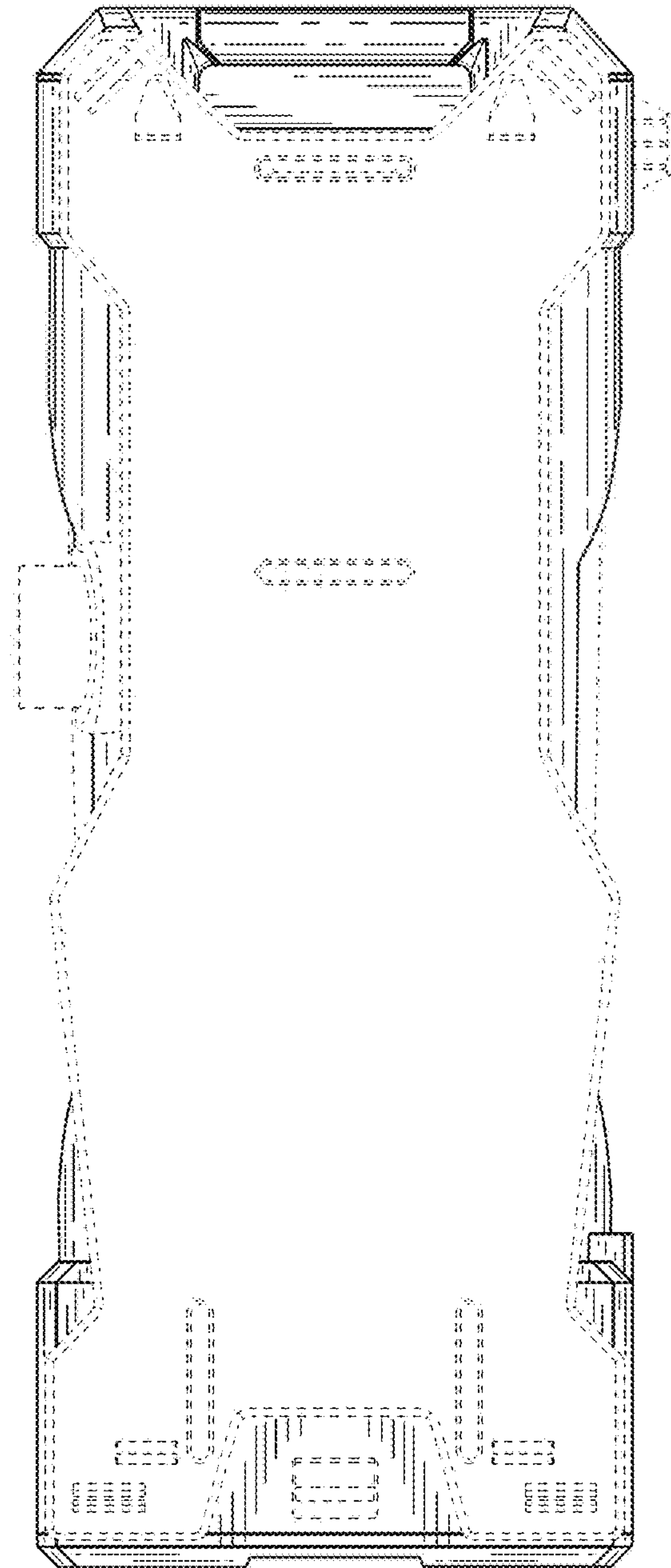


FIG. 5

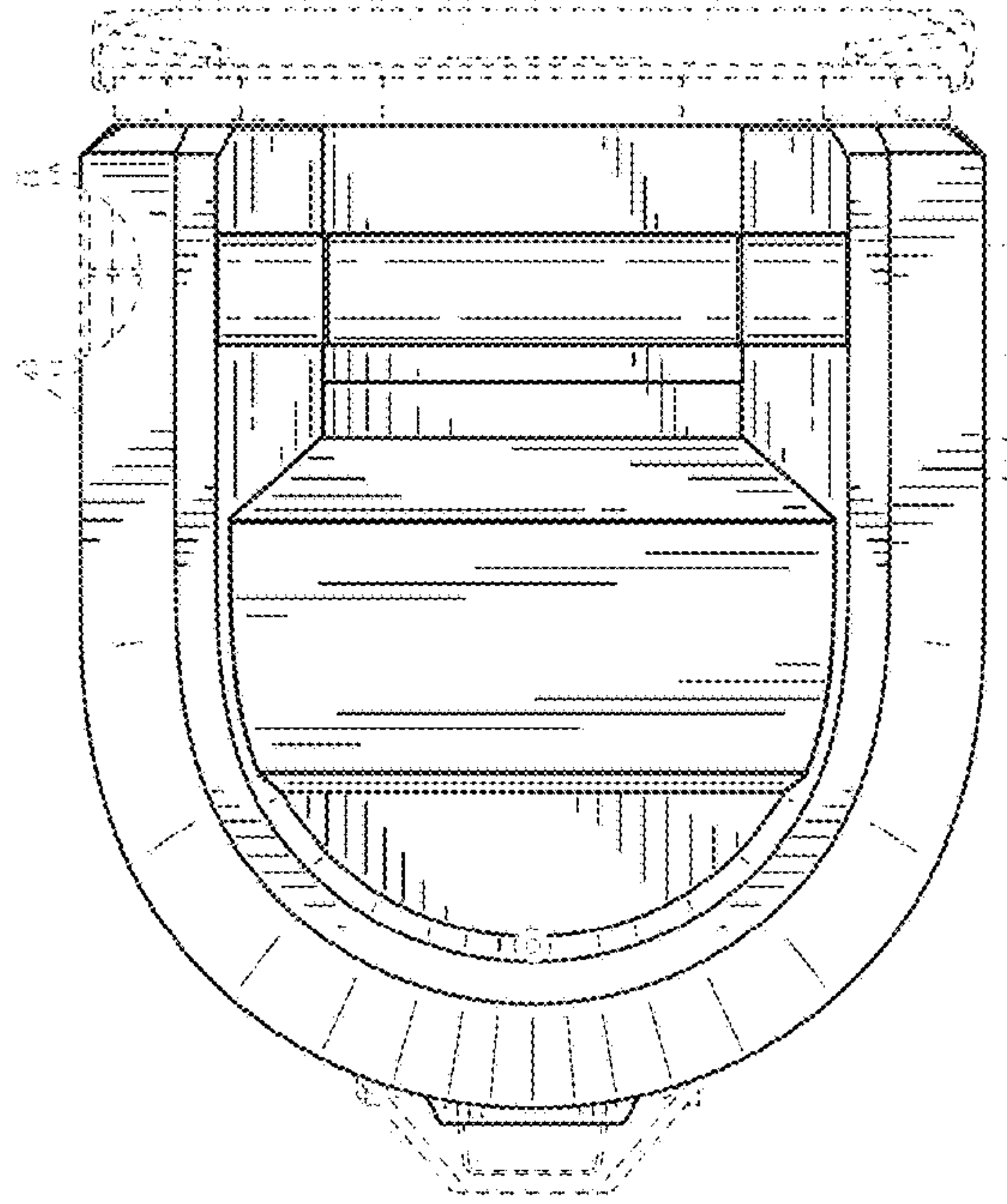


FIG. 6

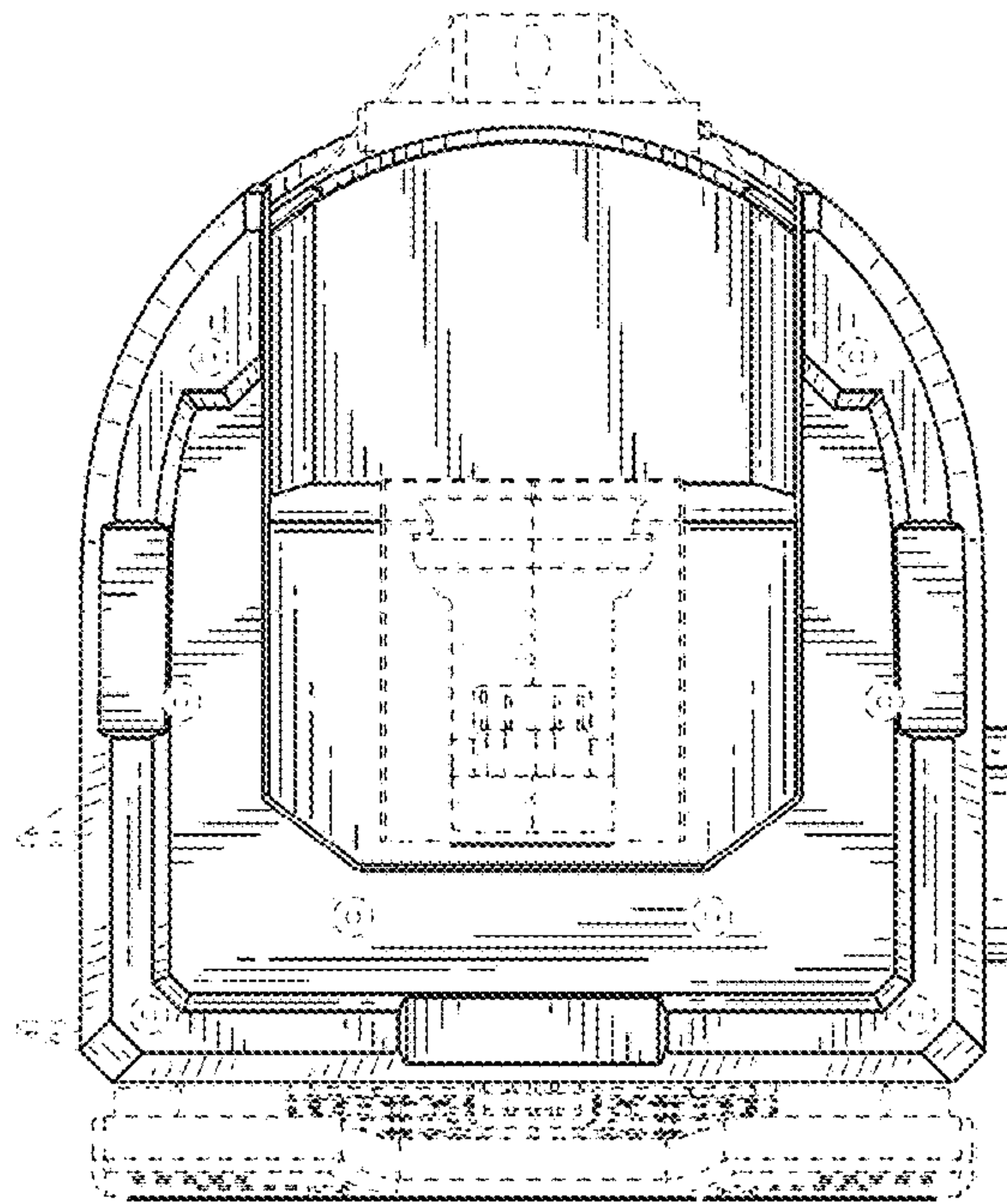


FIG. 7