

US00D866102S

(12) **United States Design Patent**
Tamar et al.

(10) **Patent No.:** **US D866,102 S**
(45) **Date of Patent:** **** Nov. 5, 2019**

(54) **POOL CLEANER**

(71) Applicant: **MAYTRONICS LTD.**, Kibbutz Yizrael (IL)

(72) Inventors: **Yaniv Tamar**, Gan Ner (IL);
Jackov-Guy Ben-Simon, Yokneam (IL)

(73) Assignee: **MAYTRONICS LTD.** (IL)

(**) Term: **15 Years**

(21) Appl. No.: **29/606,040**

(22) Filed: **Jun. 1, 2017**

(51) **LOC (12) Cl.** **15-05**

(52) **U.S. Cl.**
USPC **D32/21**

(58) **Field of Classification Search**
USPC 15/1.7; 210/416.2, 167.16, 167.15;
D32/18, 21, 32-33
CPC ... E04H 4/1609; E04H 4/1654; E04H 4/1663;
E04H 4/1672; E04H 4/169; E04H 4/1636
See application file for complete search history.

(56) **References Cited**

U.S. PATENT DOCUMENTS

D575,915 S *	8/2008	Dreyer	D32/21
D598,168 S *	8/2009	Sumonthee	D32/21
D599,967 S *	9/2009	Blanc-Tailleur	D32/21
D630,808 S *	1/2011	Dye	D32/21
D630,809 S *	1/2011	Dye	D32/21
8,341,789 B2 *	1/2013	Garti	E04H 4/1654 15/1.7
8,771,504 B2 *	7/2014	Mastio	E04H 4/1654 15/1.7

D721,460 S *	1/2015	Hanan	D32/21
9,222,275 B2 *	12/2015	Ben Dov	E04H 4/1654
9,506,262 B2 *	11/2016	Tavor	E04H 4/1654
9,527,537 B2 *	12/2016	Bernini	E04H 4/1654
9,790,700 B2 *	10/2017	Tamar	H02K 7/1823
9,809,989 B2 *	11/2017	Blanc Tailleur	E04H 4/1654
9,902,477 B1 *	2/2018	Durvasula	B63C 11/42
10,053,883 B2 *	8/2018	Hui	E04H 4/1654
10,167,650 B2 *	1/2019	Torero	E04H 4/1654

* cited by examiner

Primary Examiner — Ruth McInroy

(74) *Attorney, Agent, or Firm* — ISUS Intellectual Property PLL; A. Jason Mirabito

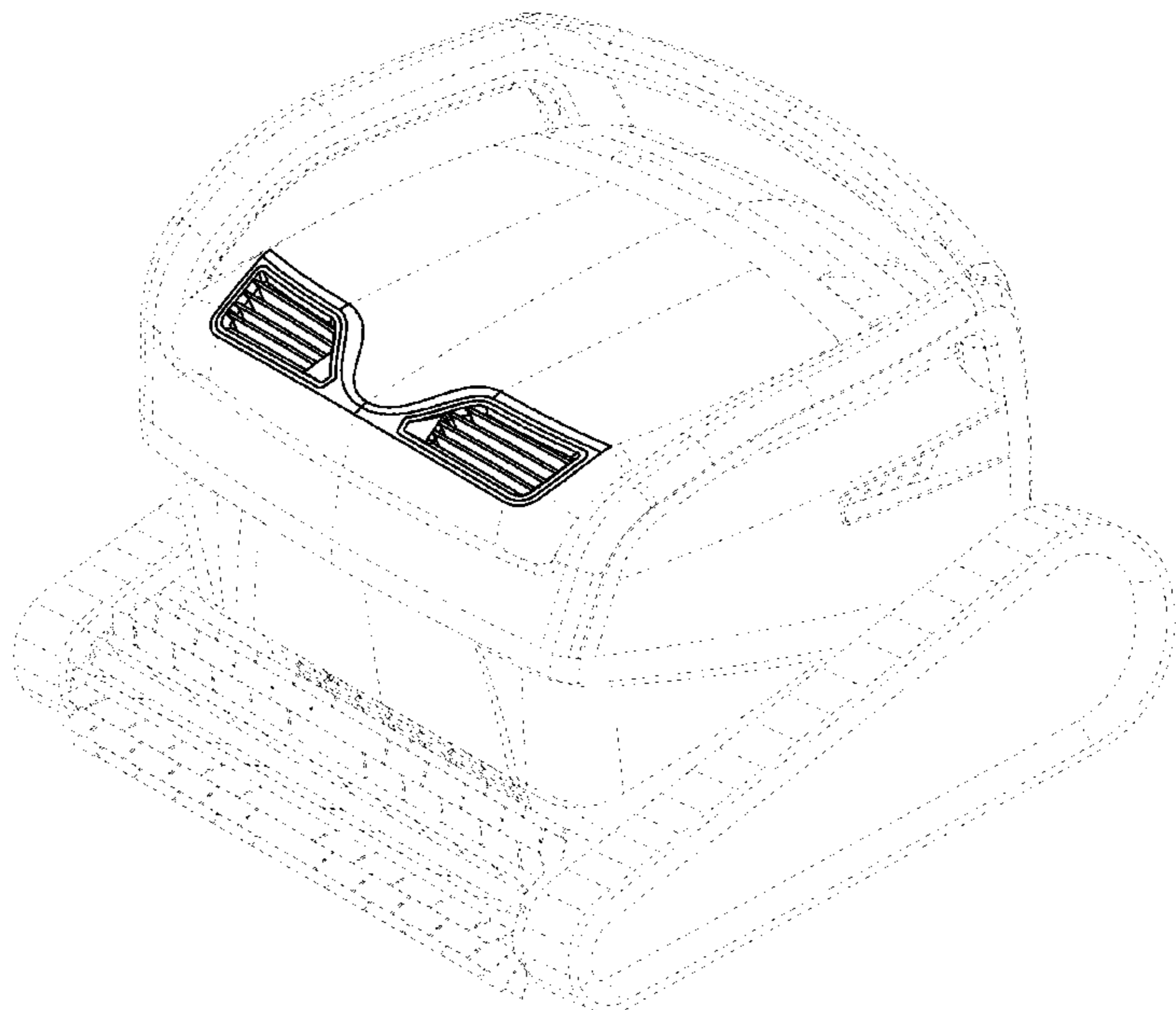
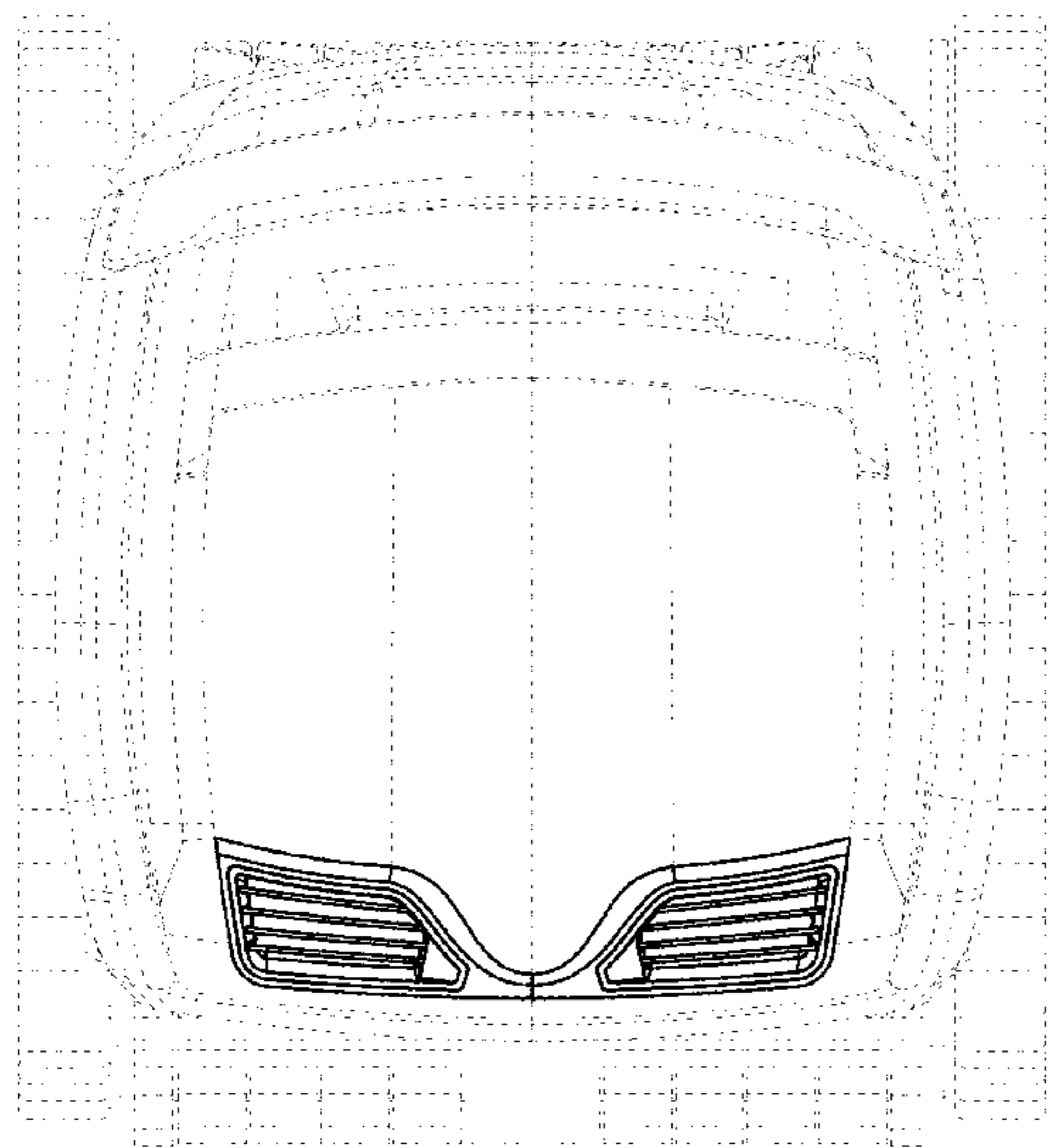
(57) **CLAIM**

The ornamental design for a pool cleaner, as shown and described.

DESCRIPTION

FIG. 1 is a front view of a pool cleaner showing our new design;
FIG. 2 is a rear view thereof;
FIG. 3 is a top view thereof;
FIG. 4 is a right side view thereof;
FIG. 5 is a left side view thereof;
FIG. 6 is a front perspective view;
FIG. 7 is a rear perspective view thereof; and,
FIG. 8 is a bottom view thereof.
The broken lines in the drawings are for illustrative purposes only and form no part of the claimed design.

1 Claim, 8 Drawing Sheets



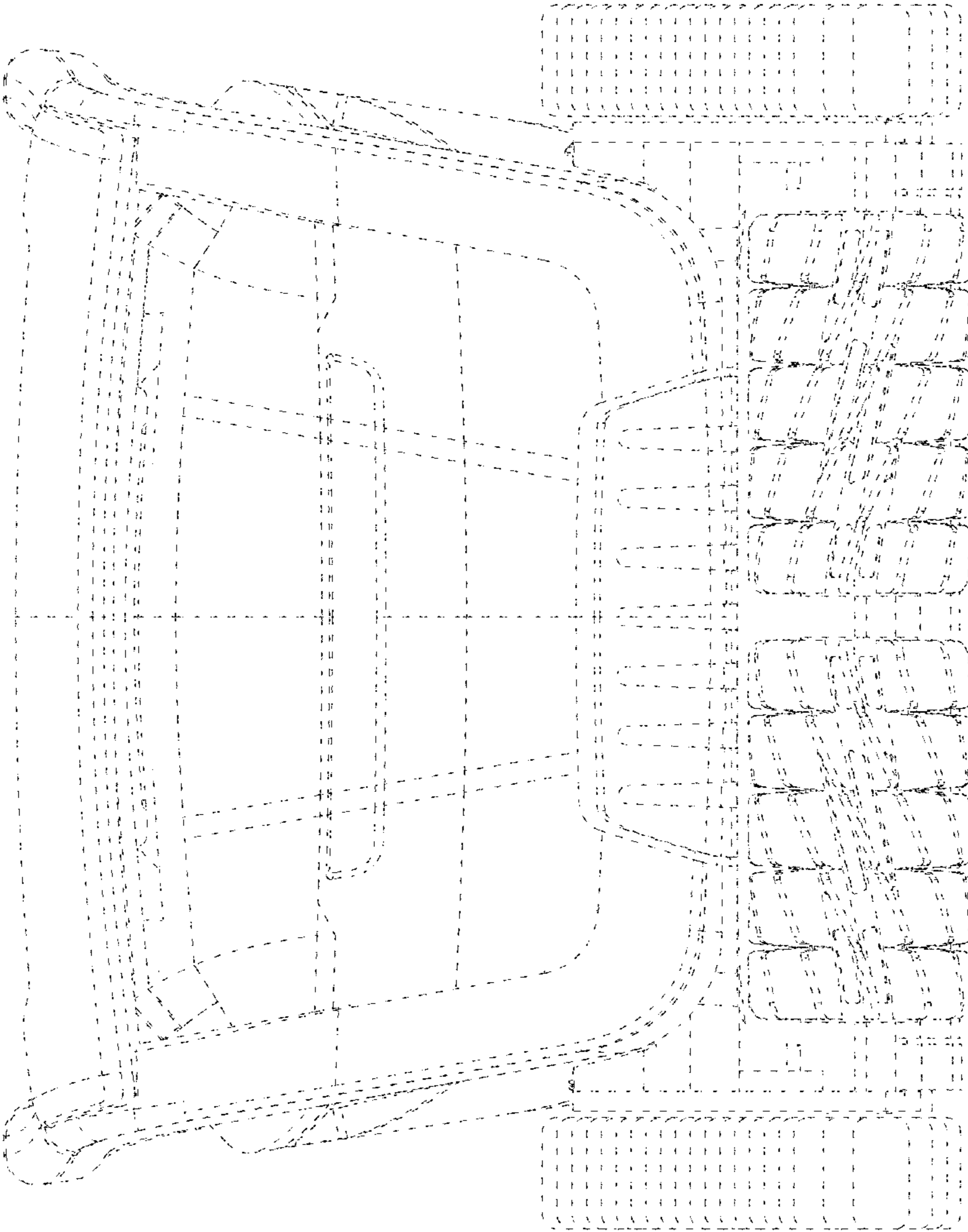


Fig. 1

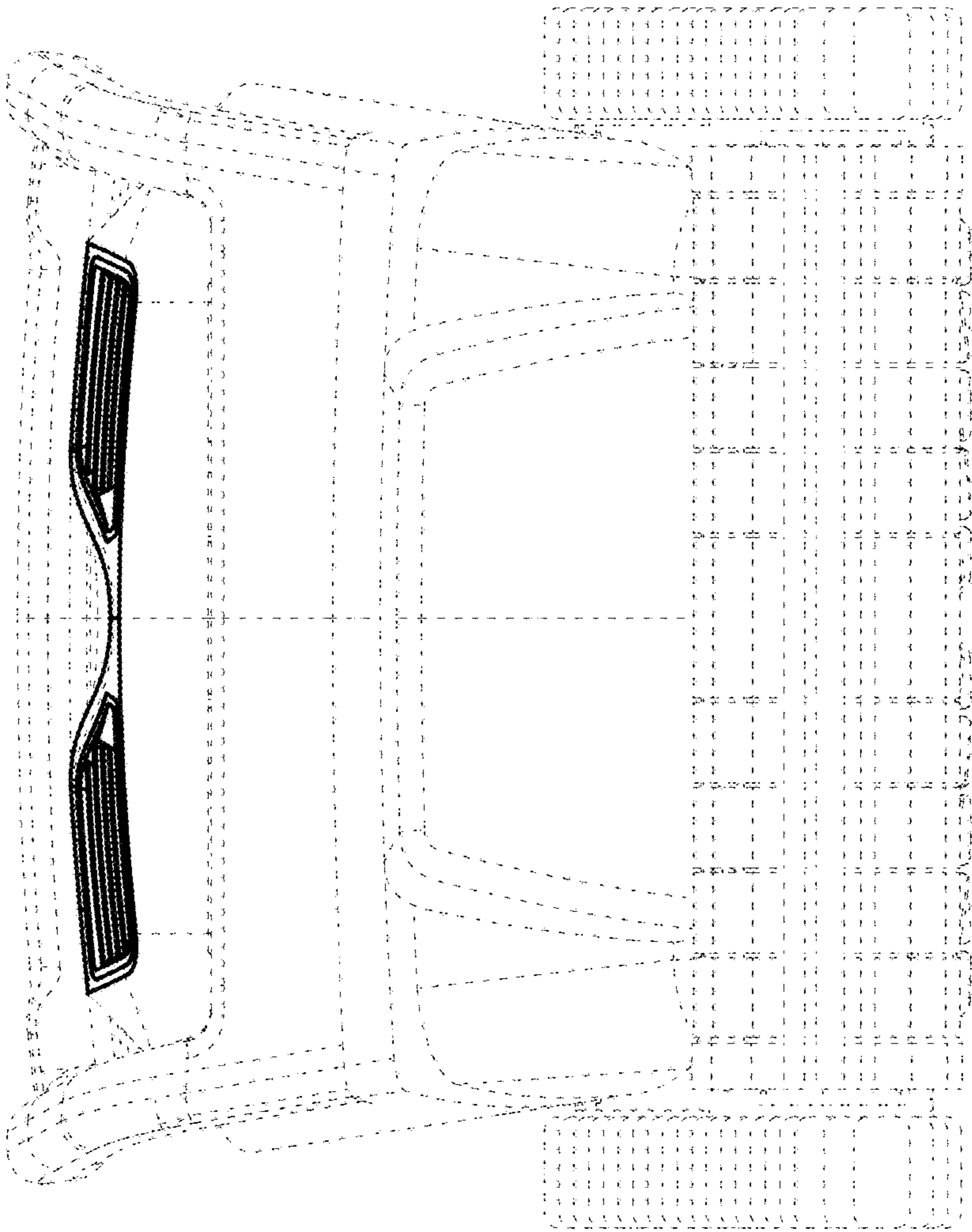


Fig. 2

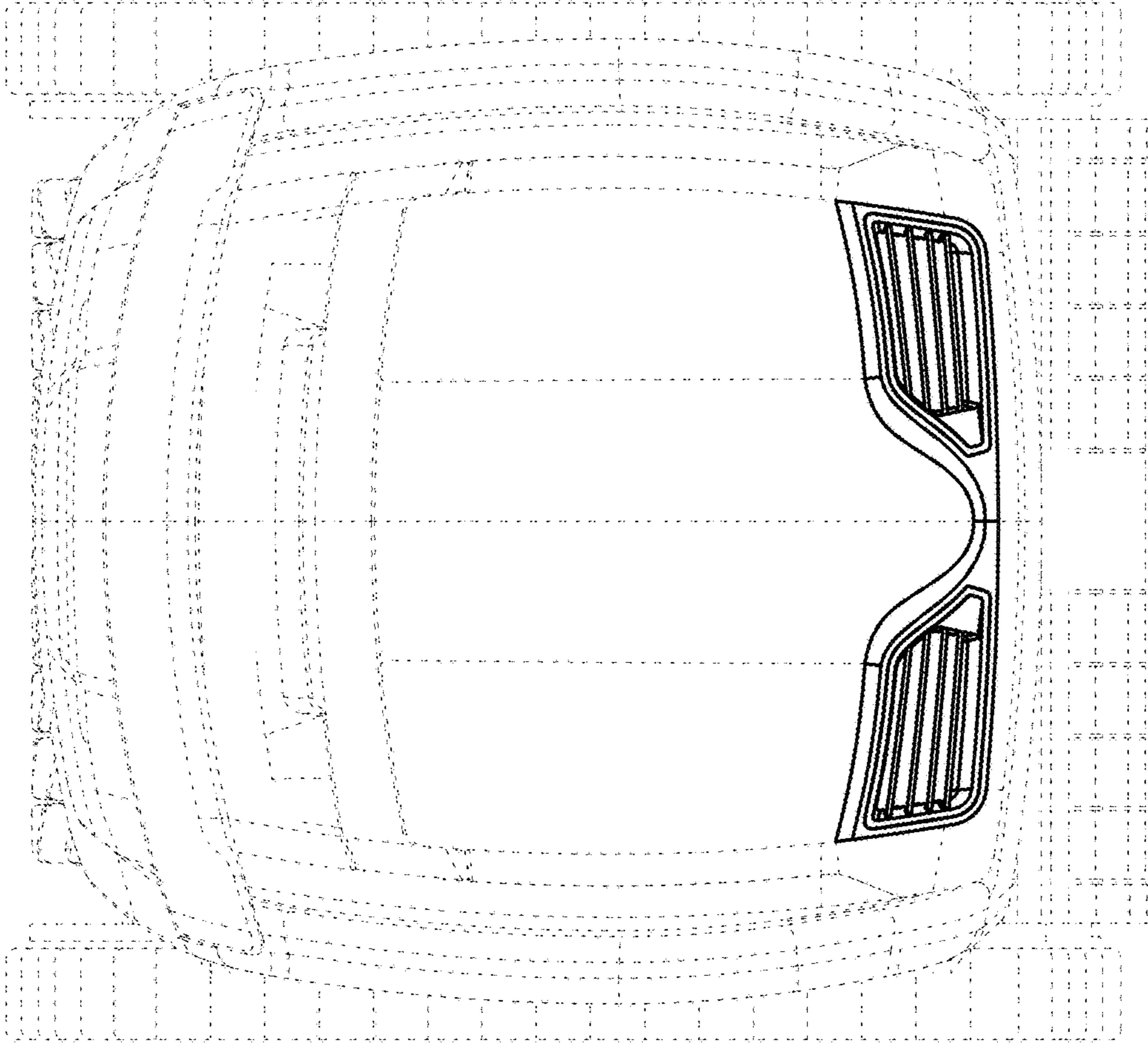


Fig. 3

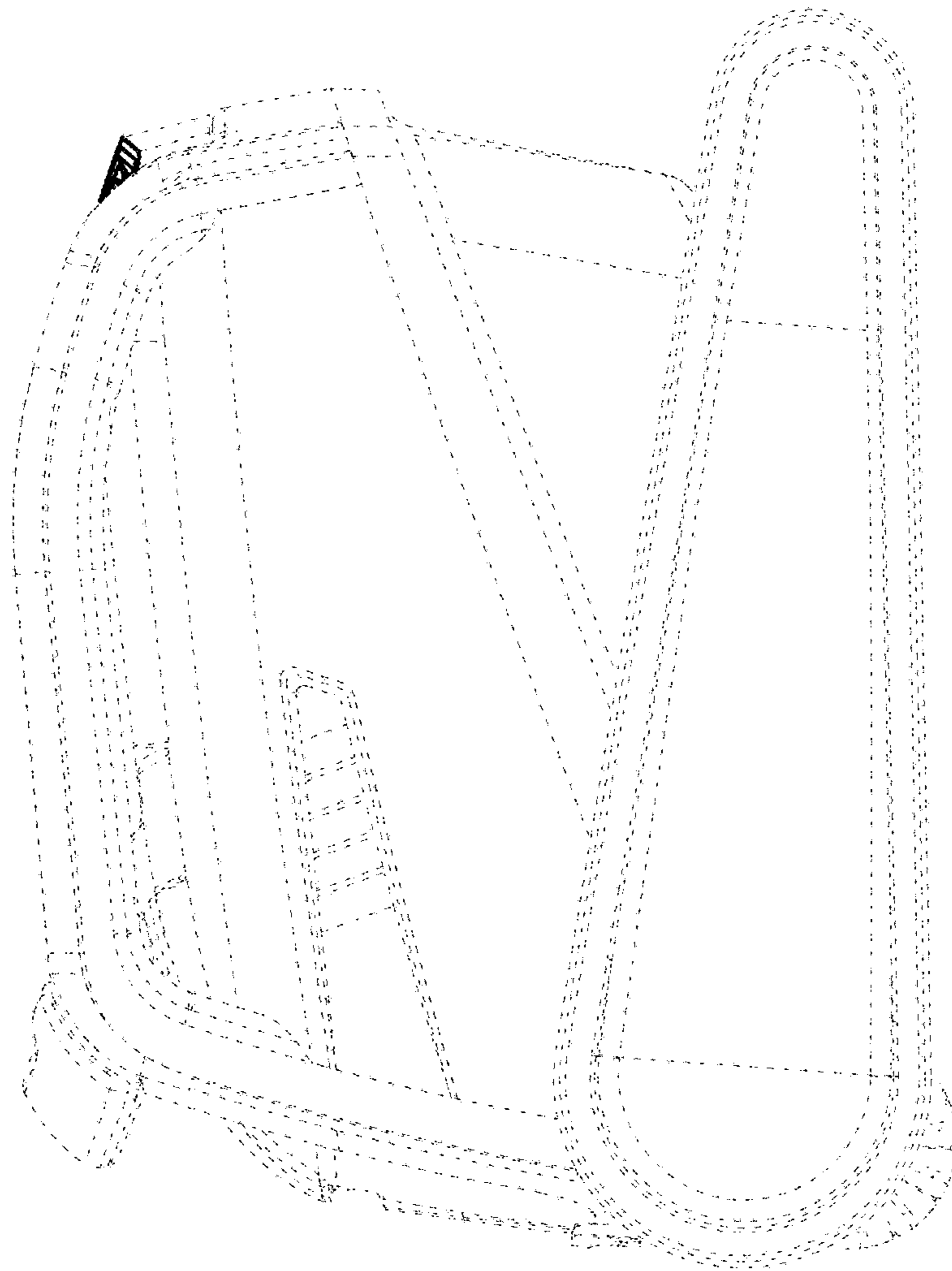


Fig. 4

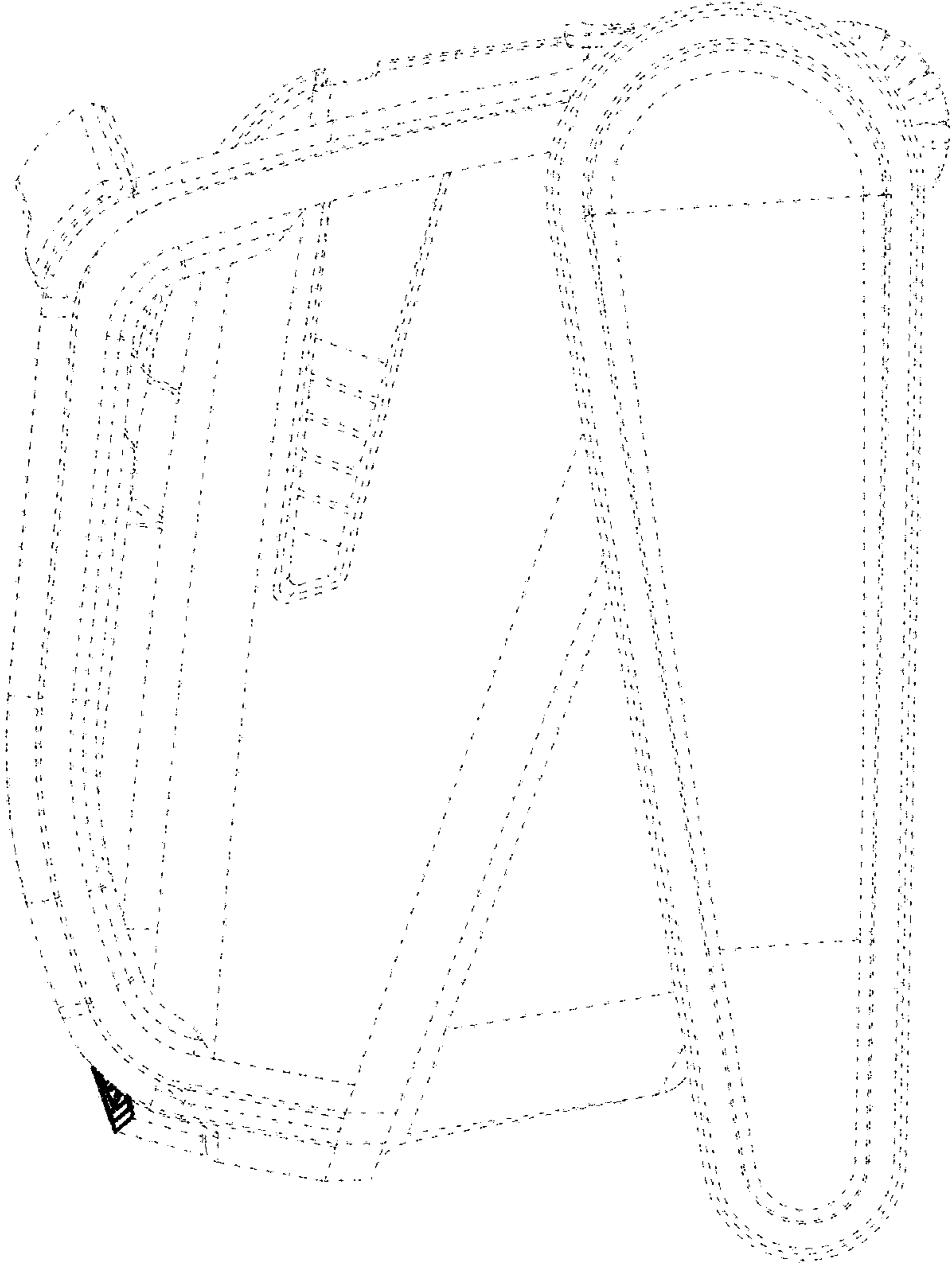


Fig. 5

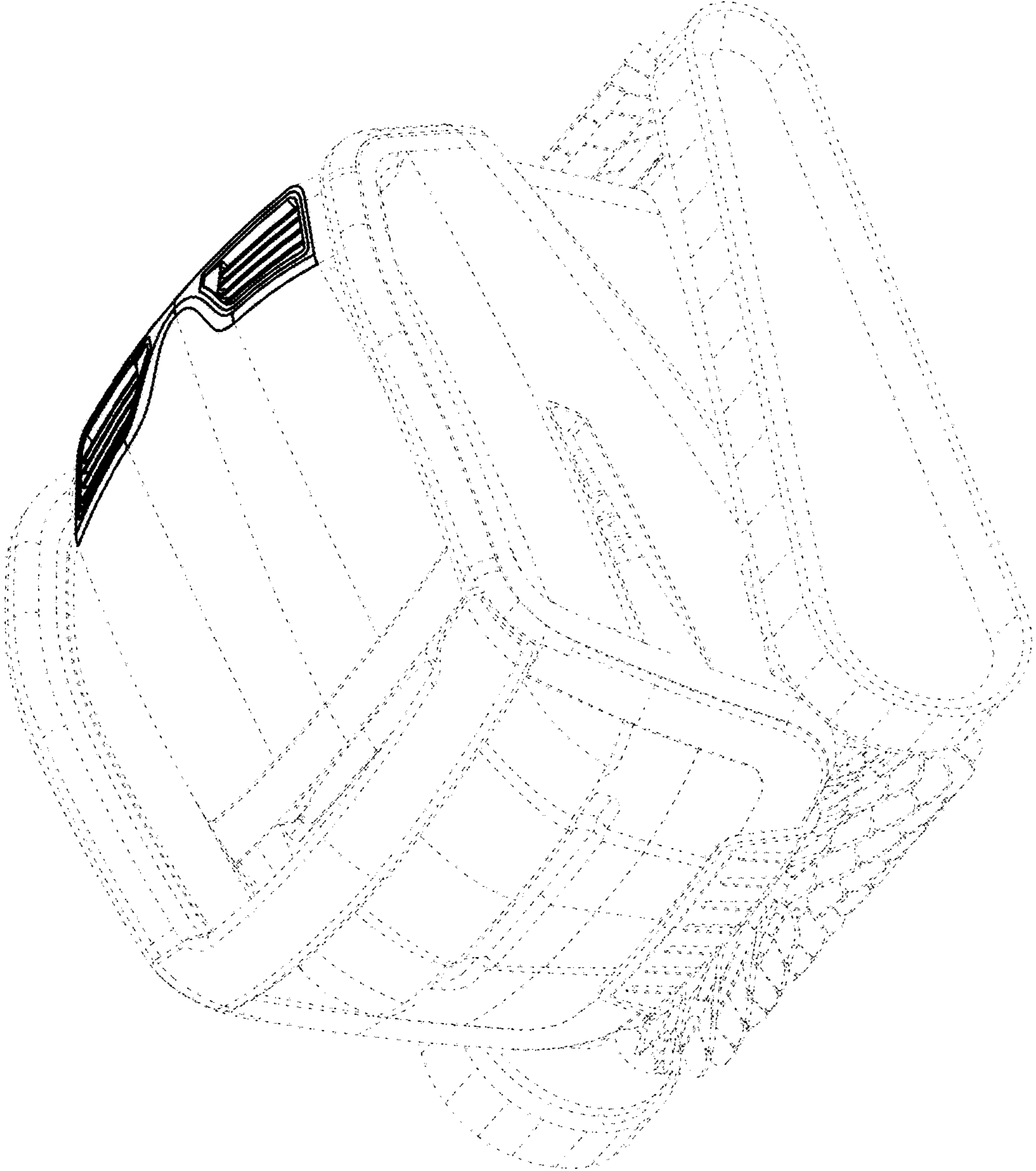


Fig. 6

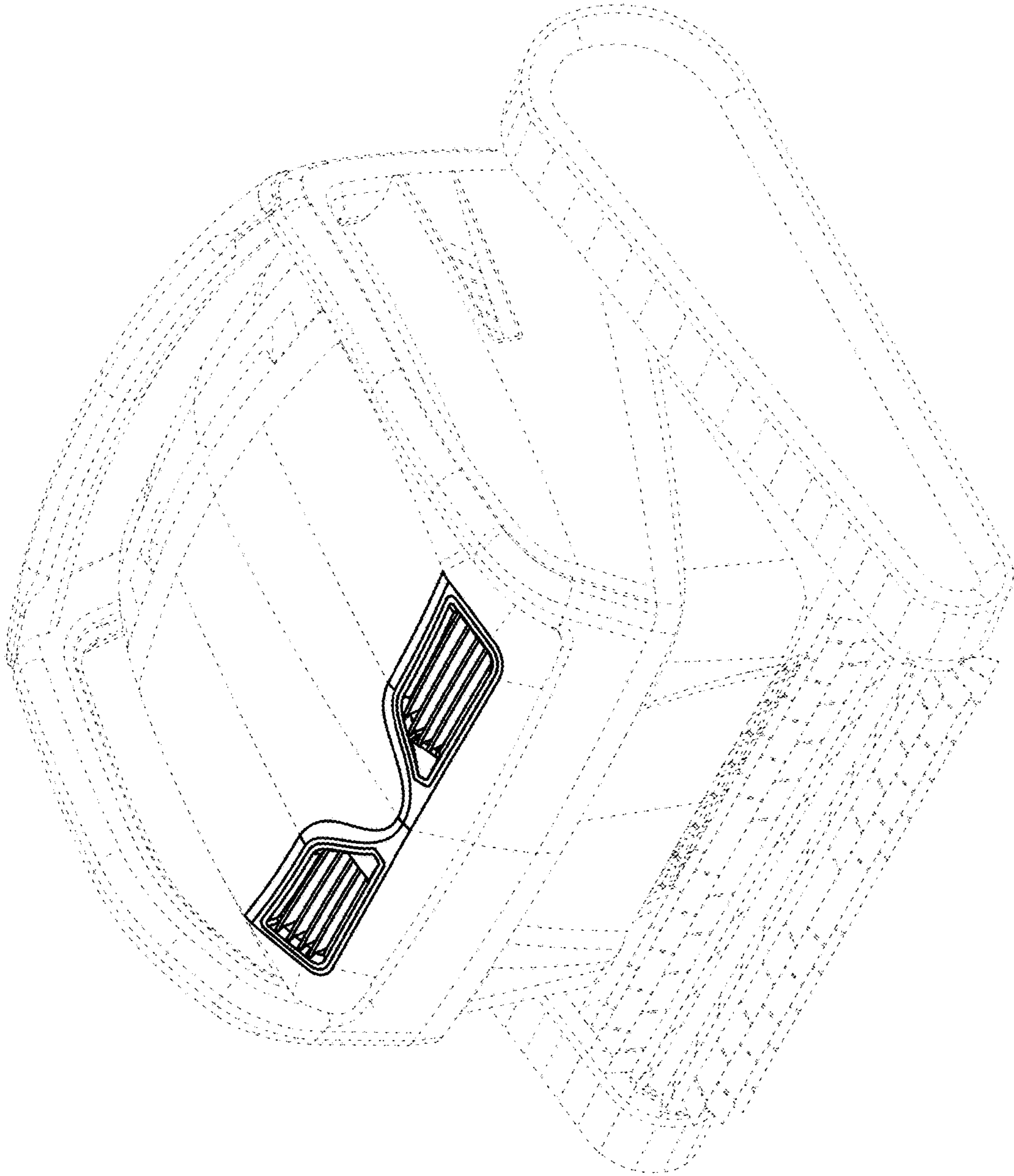


Fig. 7

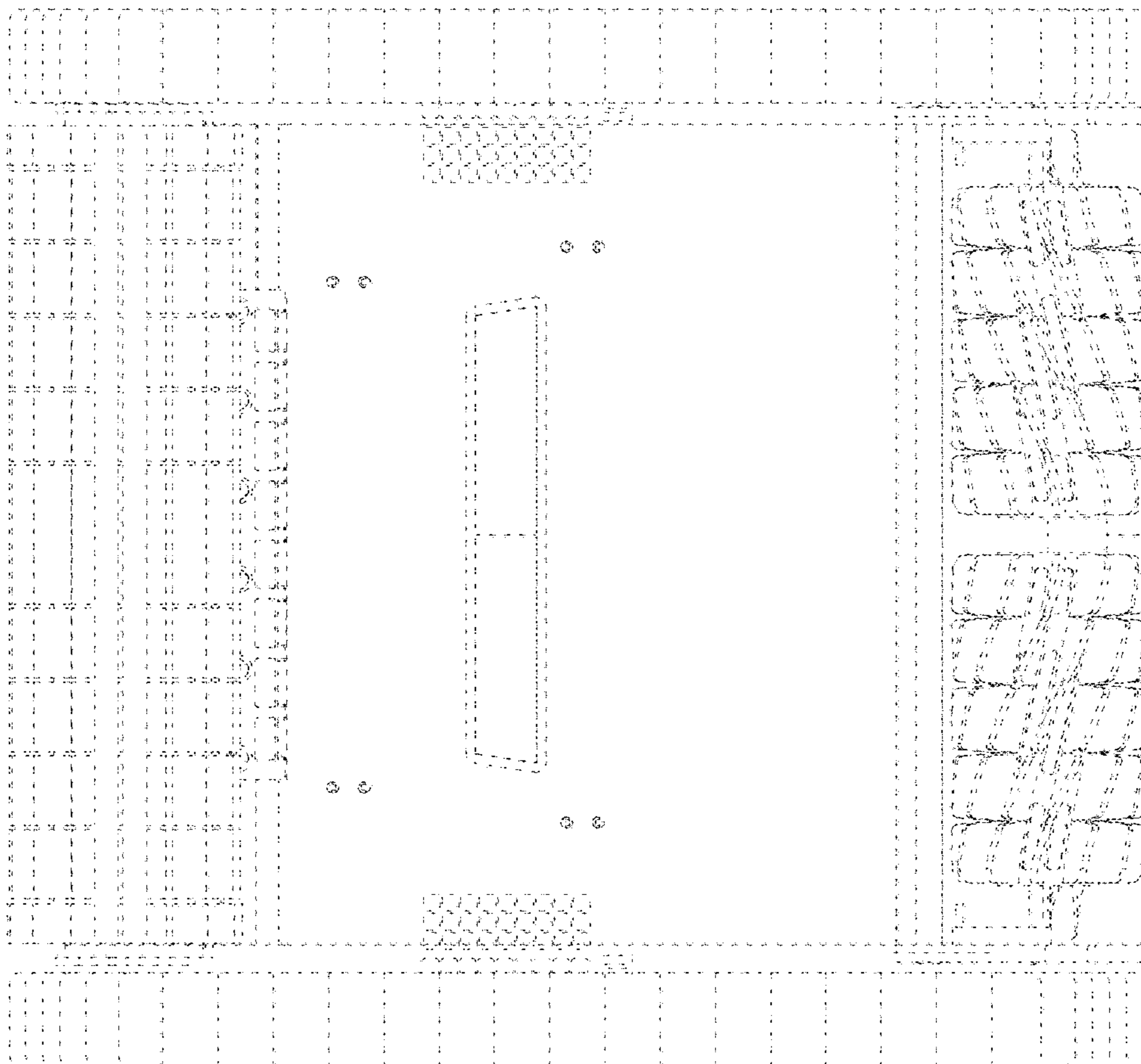


Fig. 8