

US00D866101S

(12) **United States Design Patent** (10) **Patent No.:** **US D866,101 S**  
**Meyer** (45) **Date of Patent:** **\*\* Nov. 5, 2019**

(54) **STEAM CLEANER**  
 (71) Applicant: **Alfred Kaercher SE & Co. KG**,  
 Winnenden (DE)  
 (72) Inventor: **Michael Meyer**, Schwaikheim (DE)  
 (73) Assignee: **Alfred Kaercher SE & Co. KG**,  
 Winnenden (DE)  
 (\*\*) Term: **15 Years**

D500,180 S *	12/2004	Meyer	.....	D32/17
D501,587 S *	2/2005	Hopper	.....	D32/17
D504,198 S *	4/2005	Hopper	.....	D32/17
D505,526 S *	5/2005	Tsen	.....	D32/21
D519,249 S *	4/2006	Liu	.....	D32/21
D520,196 S *	5/2006	Liu	.....	D32/21
D522,192 S *	5/2006	Liu	.....	D32/21
D530,468 S *	10/2006	Lee	.....	D32/21
D531,768 S *	11/2006	Lee	.....	D32/21
D652,185 S *	1/2012	Mu	.....	D32/21
D707,901 S *	6/2014	Israel	.....	D32/17
D719,308 S *	12/2014	Israel	.....	D32/17

(21) Appl. No.: **29/622,710**  
 (22) Filed: **Oct. 19, 2017**  
 (30) **Foreign Application Priority Data**  
 Apr. 21, 2017 (WO) ..... 3129201  
 (51) **LOC (12) Cl.** ..... **15-05**  
 (52) **U.S. Cl.**  
 USPC ..... **D32/17**  
 (58) **Field of Classification Search**  
 USPC ..... D32/17, 18, 21, 2, 31  
 CPC ..... D06F 87/00; D06F 75/06; D06F 73/00;  
 F22B 1/284; F24F 6/025; B44C 7/027;  
 A47L 11/34  
 See application file for complete search history.

**OTHER PUBLICATIONS**

Alfred Kaercher GmbH and Co. KG, product photographs, 1999-2016, 3 pages.

\* cited by examiner

*Primary Examiner* — Michelle E. Wilson  
 (74) *Attorney, Agent, or Firm* — Lipsitz & McAllister, LLC

(57) **CLAIM**

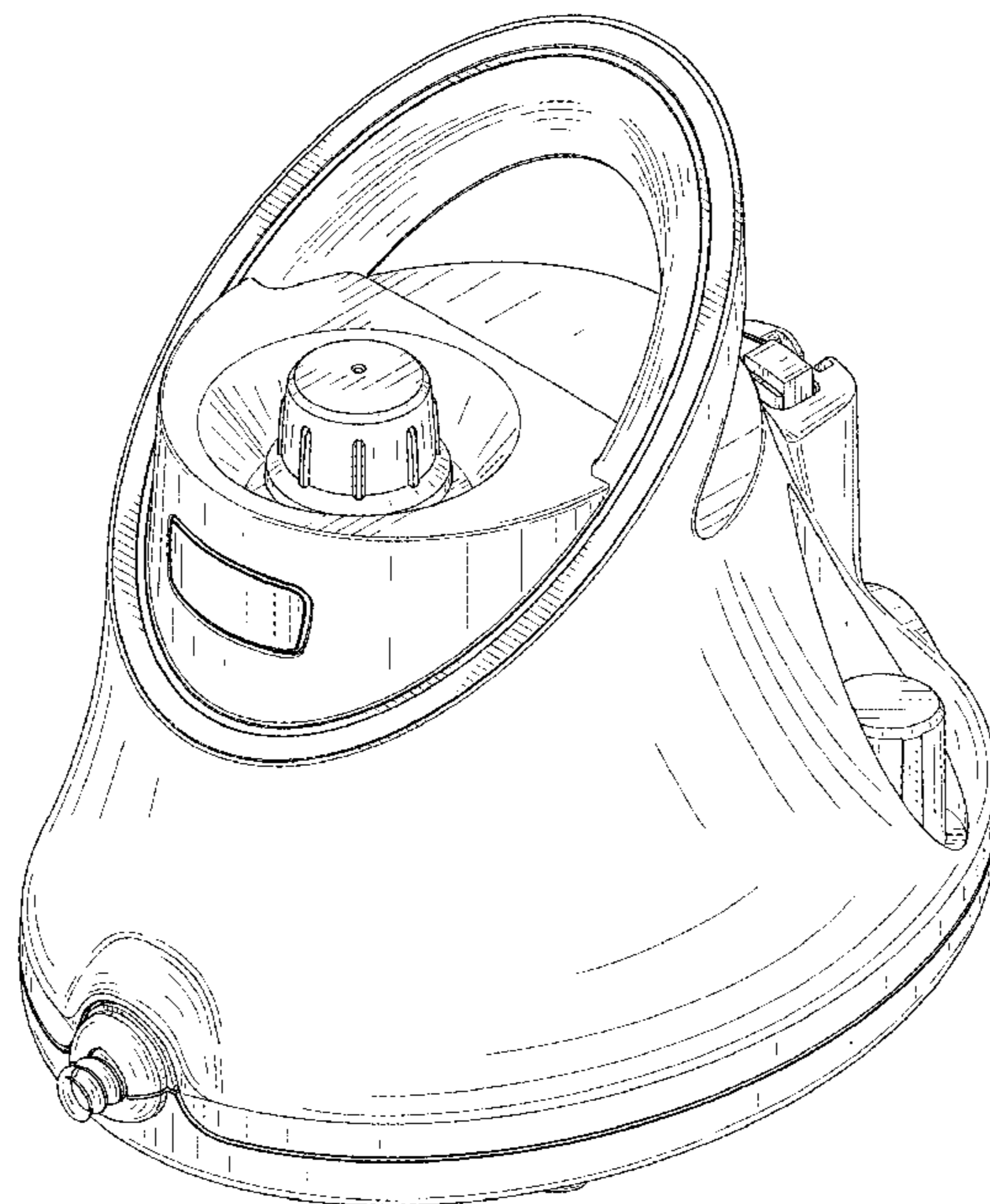
The ornamental design for a steam cleaner, as shown and described.

**DESCRIPTION**

FIG. 1 is a front, top and right side perspective view of a steam cleaner showing the new design;  
 FIG. 2 is a front, top and left side perspective view thereof;  
 FIG. 3 is a front elevational view thereof;  
 FIG. 4 is a right side elevational view thereof;  
 FIG. 5 is a rear elevational view thereof;  
 FIG. 6 is a left side elevational view thereof; and,  
 FIG. 7 is a top plan view thereof.

**1 Claim, 7 Drawing Sheets**

(56) **References Cited**  
 U.S. PATENT DOCUMENTS  
 D338,989 S \* 8/1993 Ambrosiano ..... D32/15  
 D445,973 S \* 7/2001 Chen ..... D32/21  
 D452,051 S \* 12/2001 Antonio ..... D32/17  
 D471,682 S \* 3/2003 Chen ..... D32/21  
 D489,499 S \* 5/2004 Buzzi ..... D32/17  
 D499,517 S \* 12/2004 Chen ..... D32/17



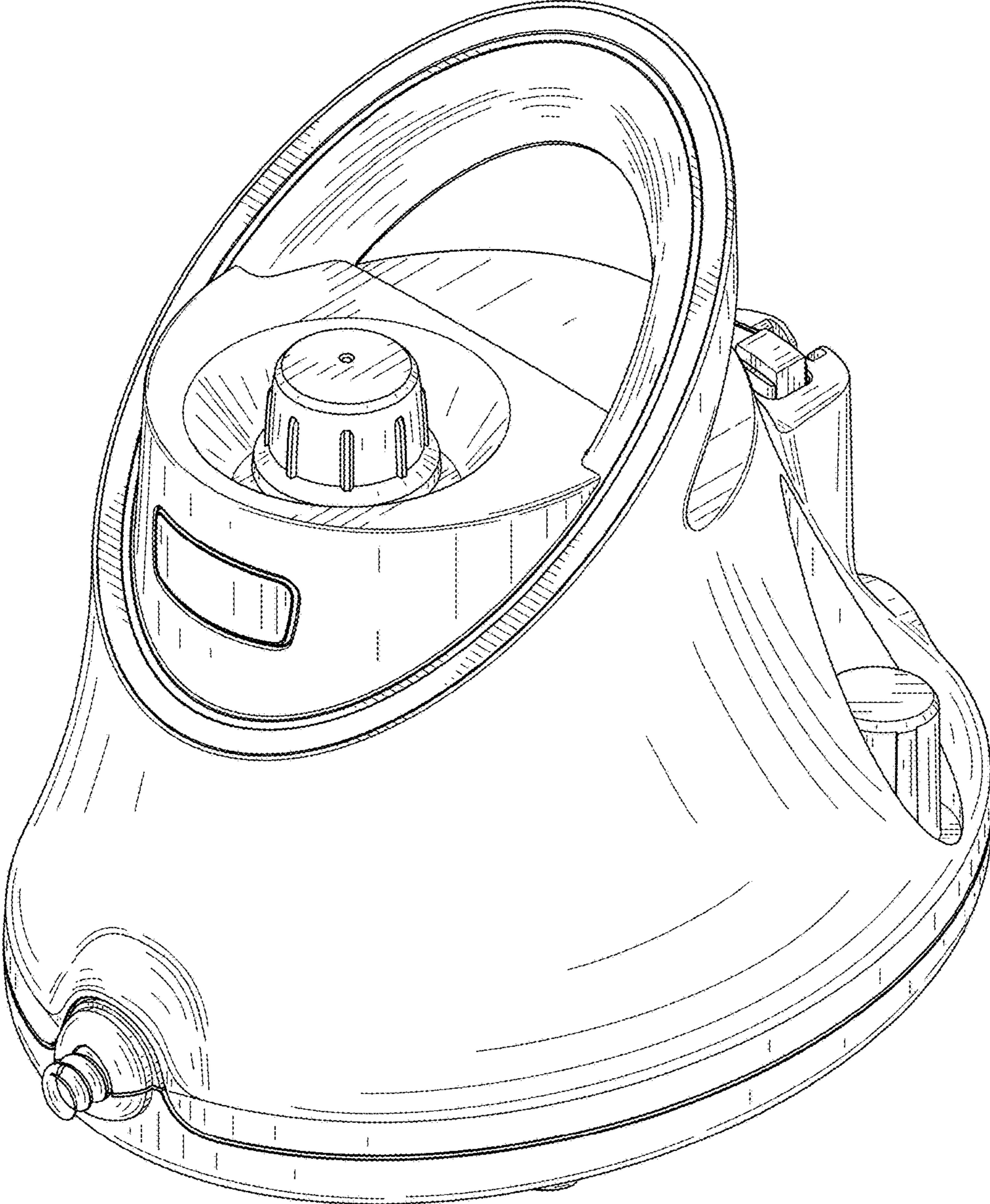


FIG. 1



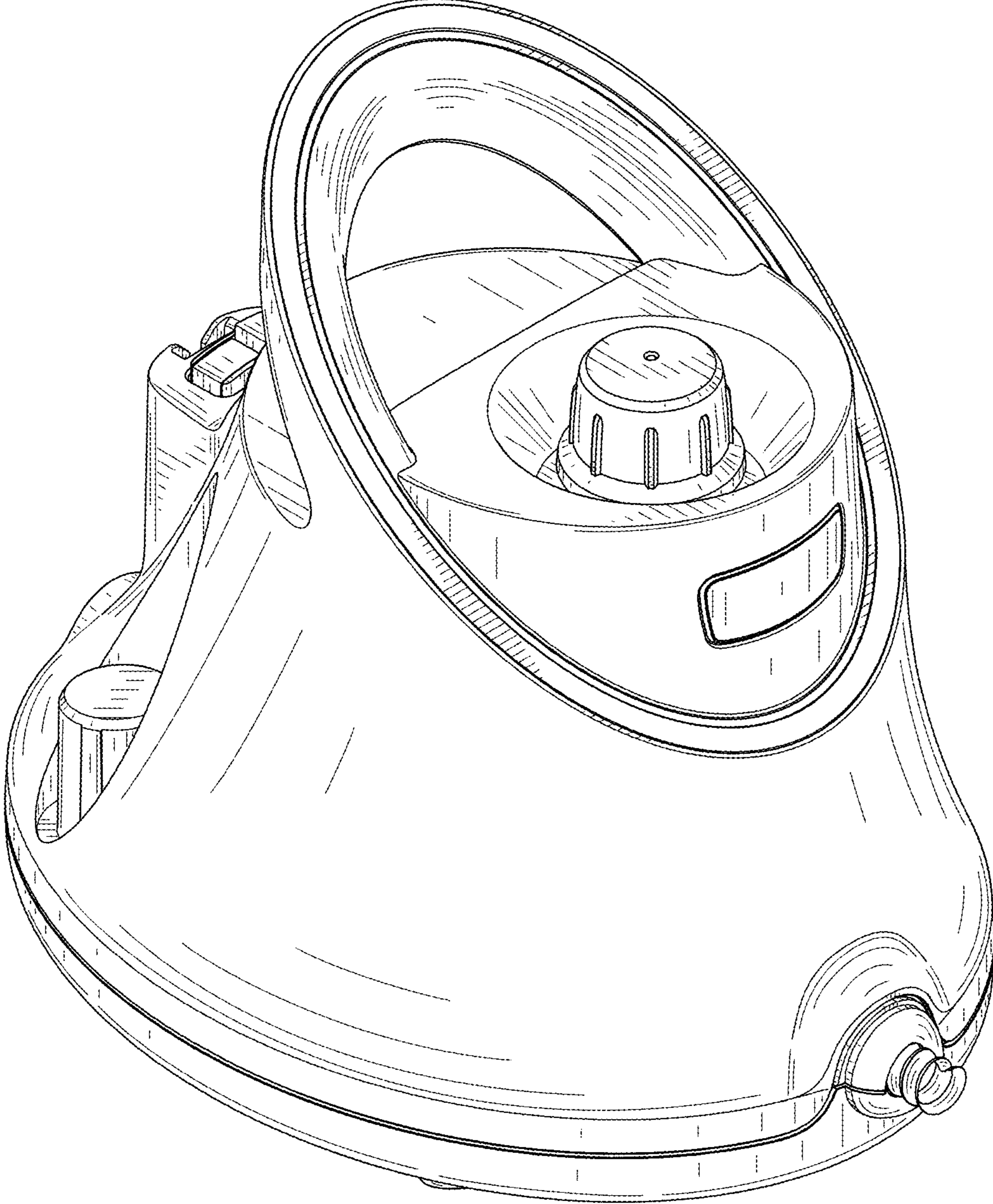
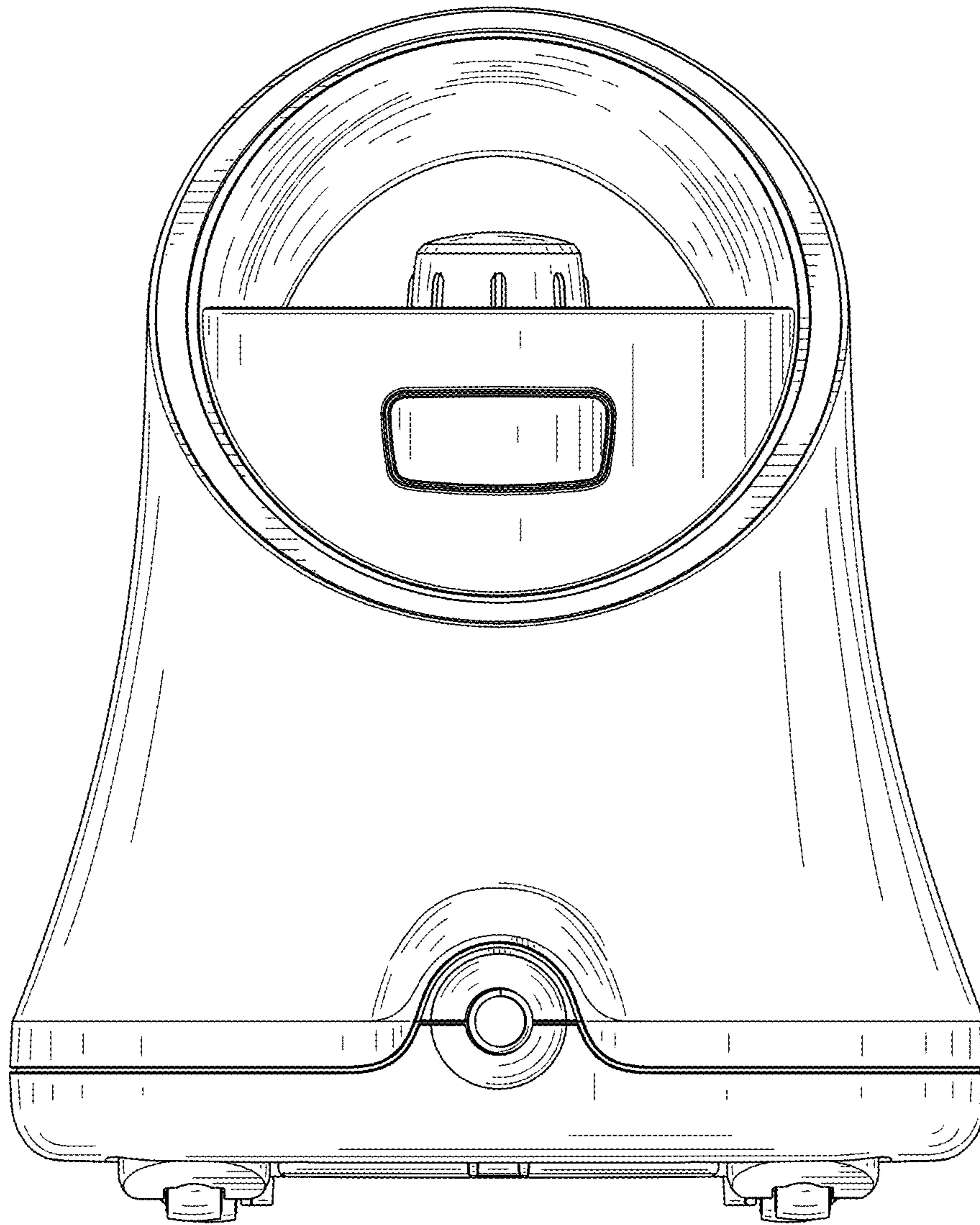


FIG. 2



**FIG. 3**

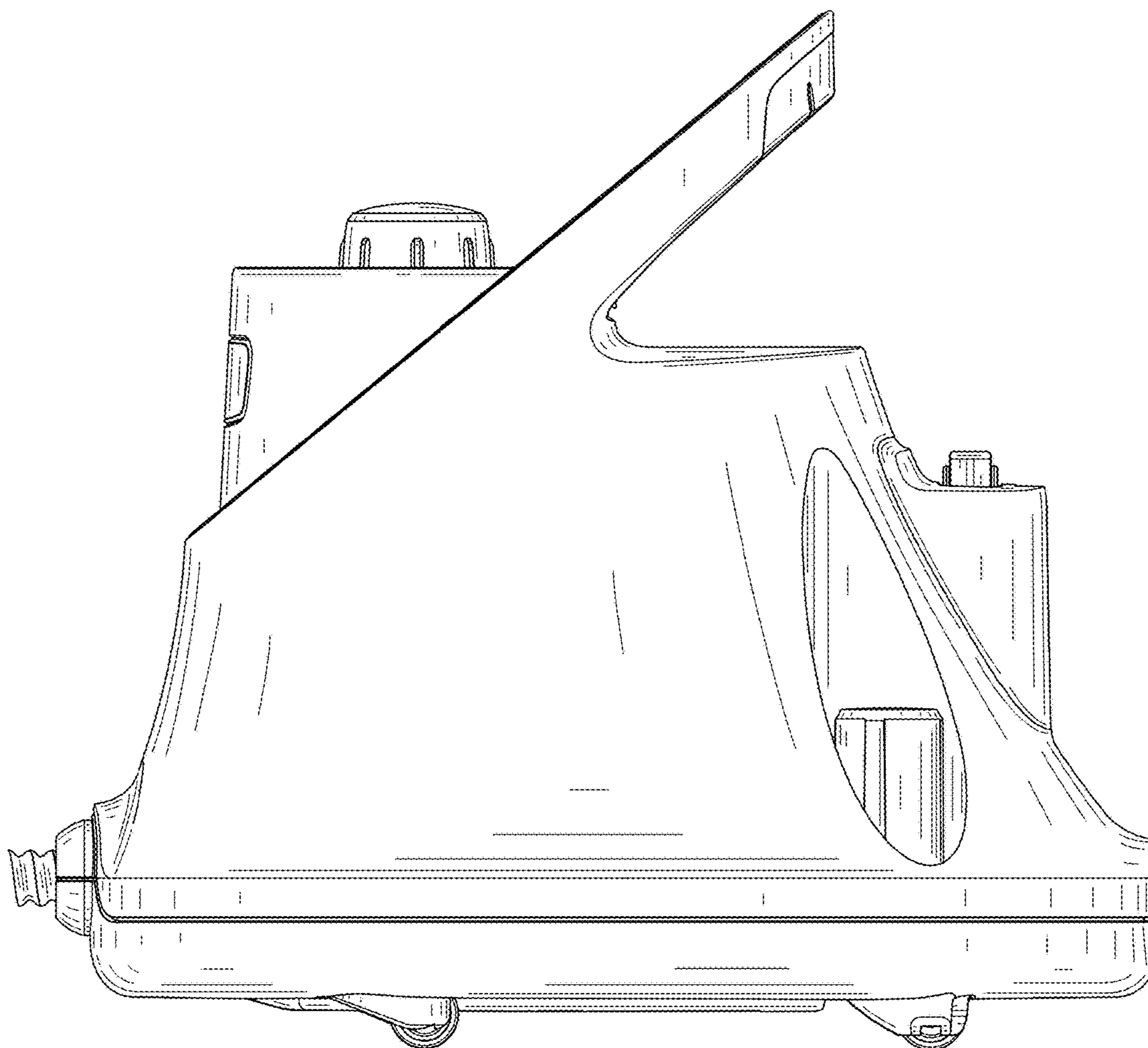


FIG. 4

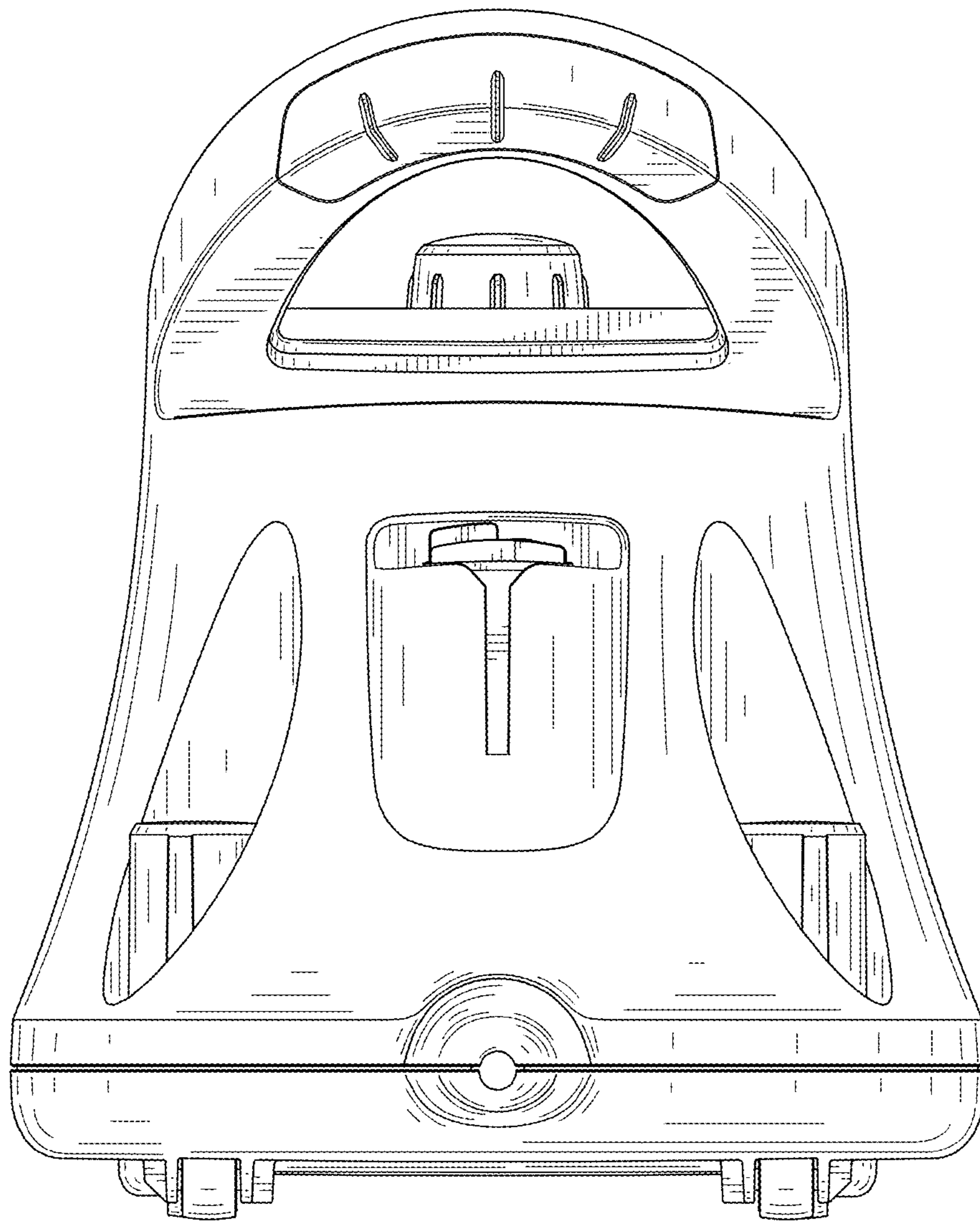


FIG. 5



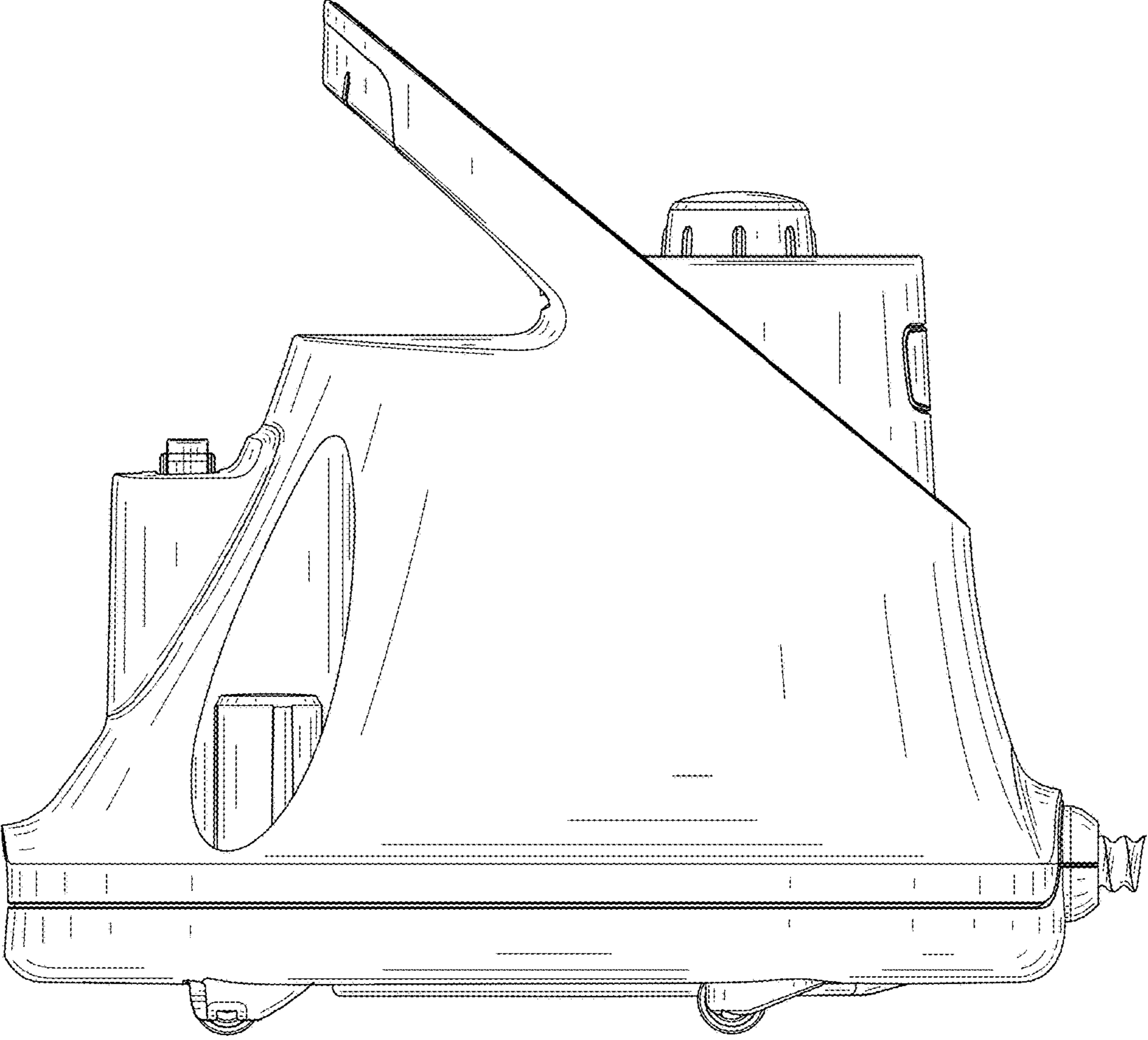


FIG. 6

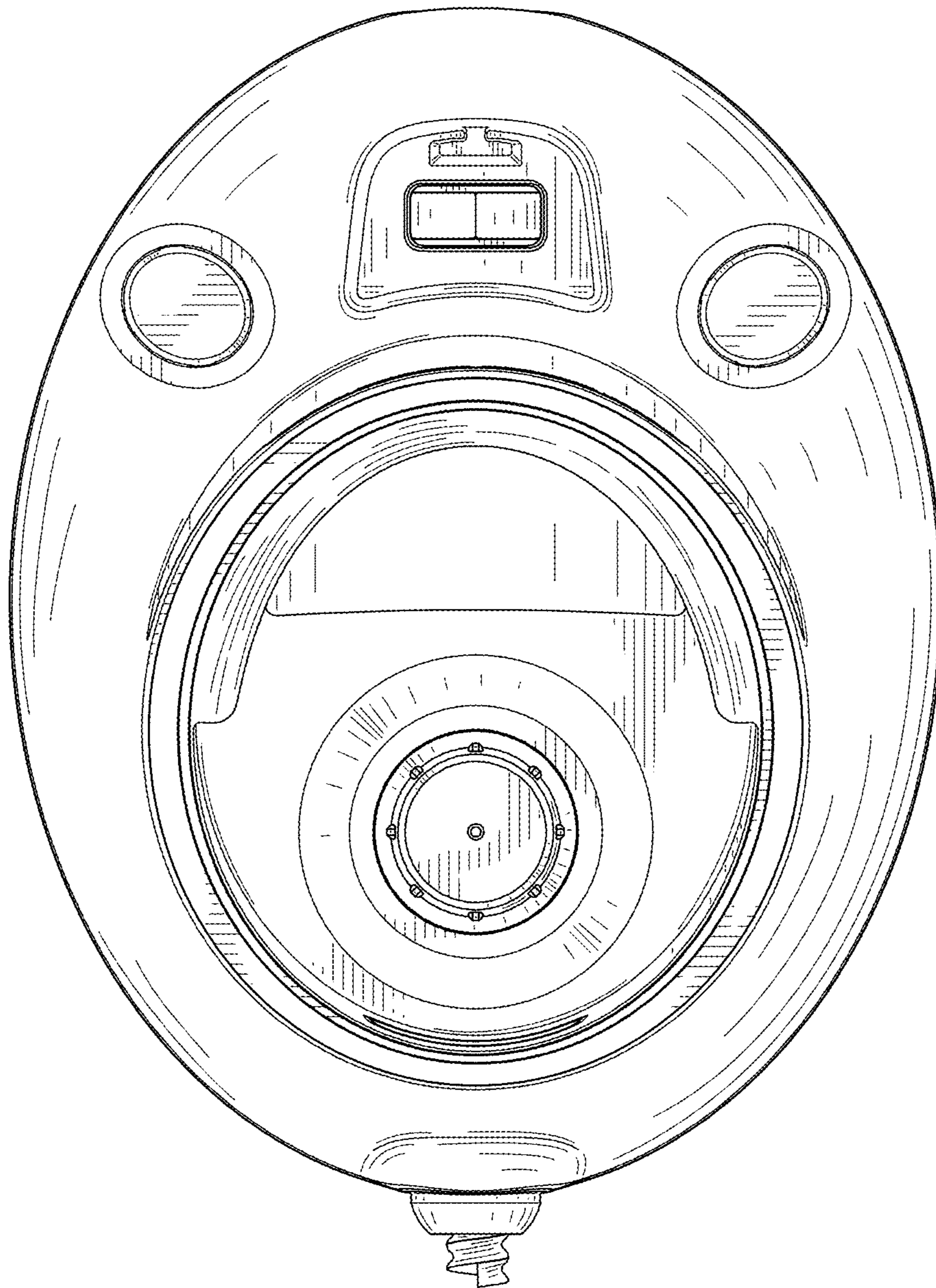


FIG. 7