

US00D866098S

(12) **United States Design Patent**
Lee et al.

(10) **Patent No.:** **US D866,098 S**
(45) **Date of Patent:** **** Nov. 5, 2019**

(54) **WASHING MACHINE**

(71) Applicant: **Samsung Electronics Co., Ltd.**,
Suwon-si (KR)

(72) Inventors: **Dae-Kyun Lee**, Suwon-si (KR);
Hwa-Yong Shin, Anyang-si (KR)

(73) Assignee: **Samsung Electronics Co., Ltd.**,
Suwon-si (KR)

(**) Term: **15 Years**

(21) Appl. No.: **29/617,510**

(22) Filed: **Sep. 14, 2017**

(30) **Foreign Application Priority Data**

Mar. 30, 2017 (KR) 30-2017-0014824
Mar. 30, 2017 (KR) 30-2017-0014828

(51) **LOC (12) Cl.** **15-05**

(52) **U.S. Cl.**
USPC **D32/6**

(58) **Field of Classification Search**
USPC D32/6, 29.1, 29, 28, 25, 8, 1, 5, 10
(Continued)

(56) **References Cited**

U.S. PATENT DOCUMENTS

D465,622 S * 11/2002 Wang D32/6
D515,257 S * 2/2006 Geyer D32/6
(Continued)

FOREIGN PATENT DOCUMENTS

CN 304073577 * 3/2017
WO WOD092437-001 * 3/2017

OTHER PUBLICATIONS

Front Load Washer posted by UNI MAC posted date unknown, ©
UNI MAC, [online], [site visited Jun. 6, 2019]. Available from

Internet, <http://unimac.com/products/light-commercial-laundry-equipment/on-premises-washers/front-load-washer.aspx> (Year: 2019).*

Primary Examiner — Cynthia Ramirez

Assistant Examiner — Laura H Yu

(74) *Attorney, Agent, or Firm* — NSIP Law

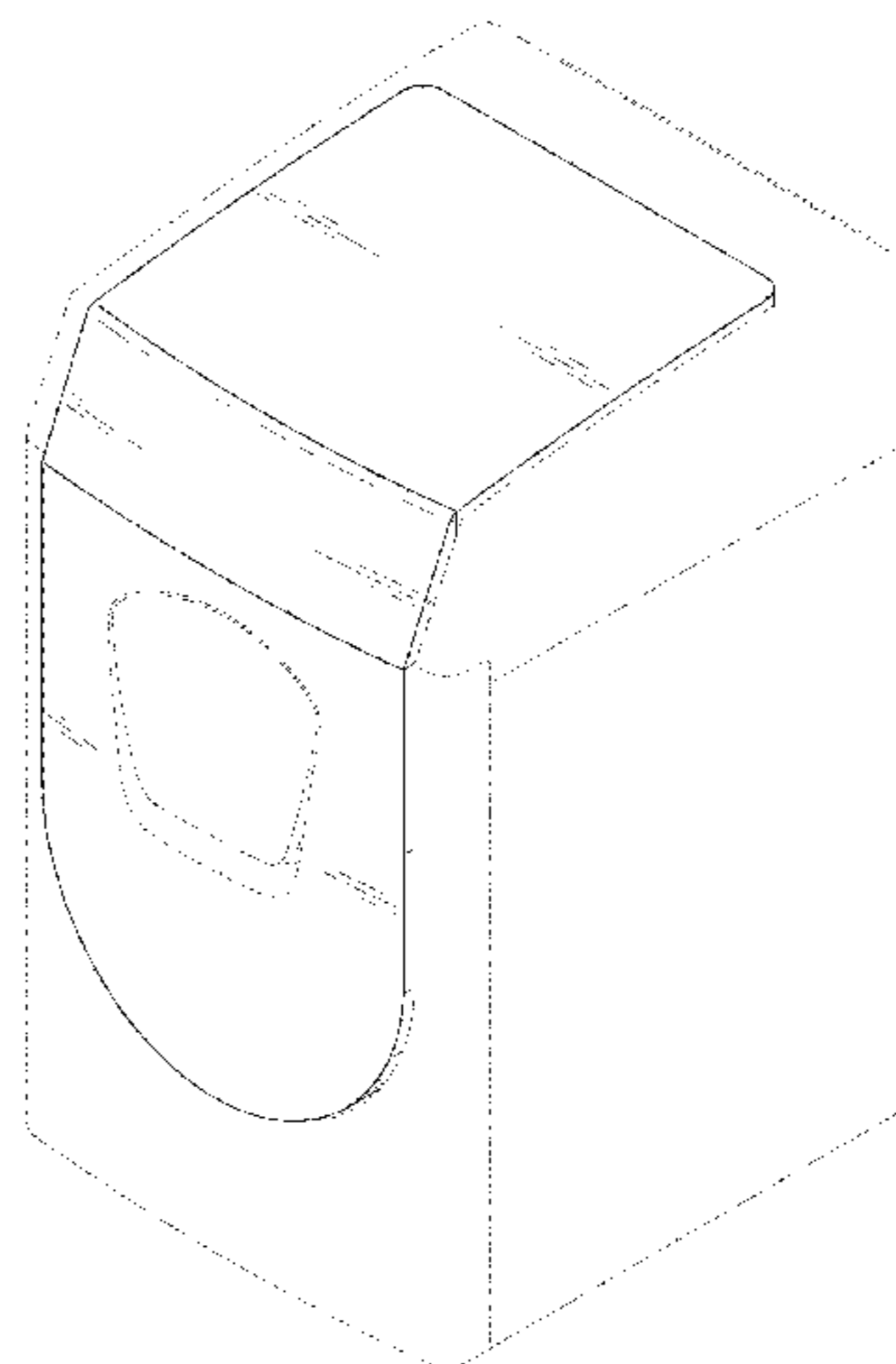
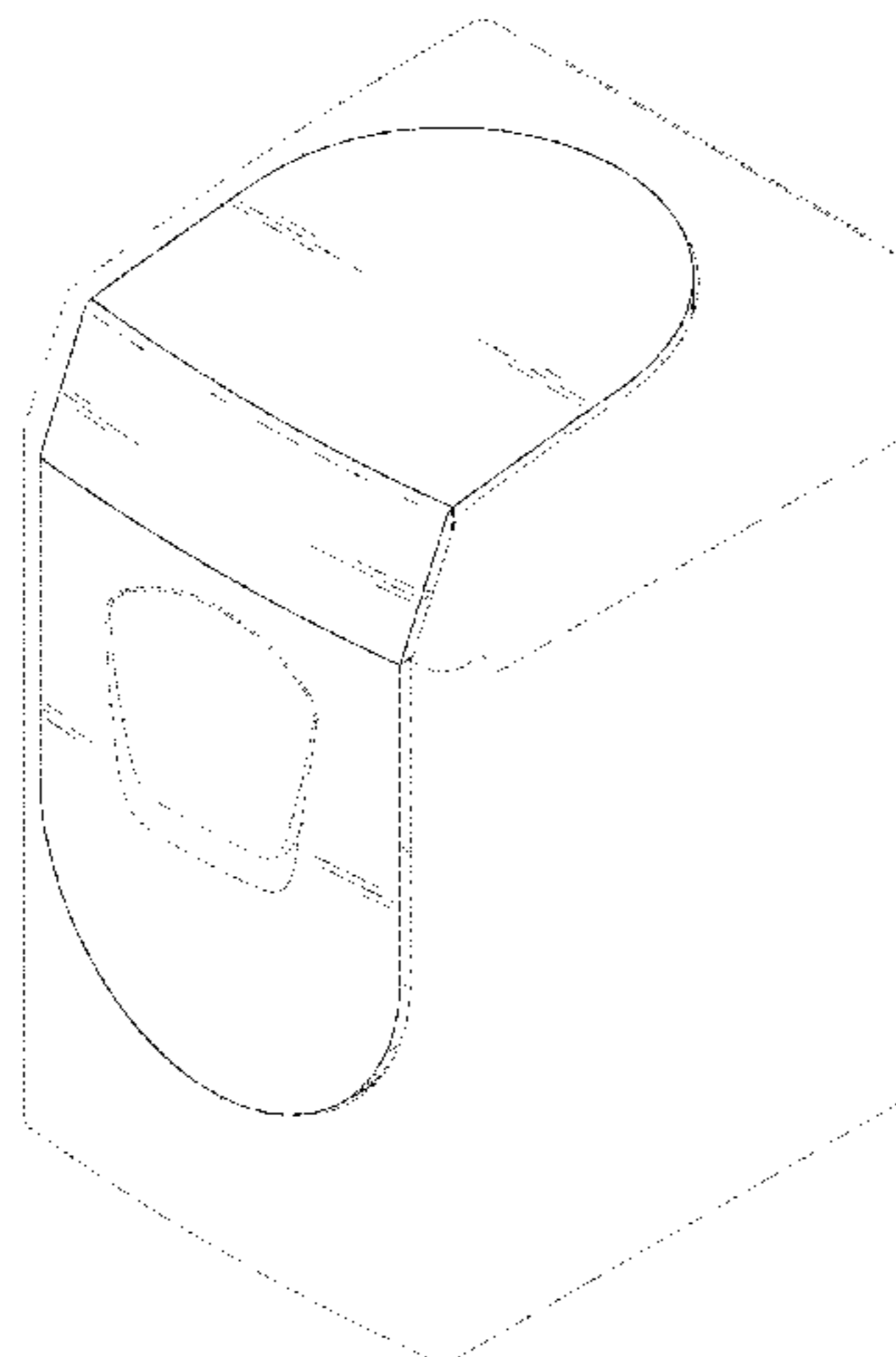
(57) **CLAIM**

We claim the ornamental design for a washing machine, as shown and described.

DESCRIPTION

FIG. 1 is a front perspective view of a first embodiment of a washing machine showing our new design; FIG. 2 is a front elevational view thereof; FIG. 3 is a rear elevational view thereof; FIG. 4 is a left-side elevational view thereof; FIG. 5 is a right-side elevational view thereof; FIG. 6 is a top plan view thereof; FIG. 7 is a bottom plan view thereof; FIG. 8 is a front perspective view of a second embodiment of a washing machine showing our new design; FIG. 9 is a front elevational view thereof; FIG. 10 is a rear elevational view thereof; FIG. 11 is a left-side elevational view thereof; FIG. 12 is a right-side elevational view thereof; FIG. 13 is a top plan view thereof; FIG. 14 is a bottom plan view thereof; FIG. 15 is a front perspective view of a third embodiment of a washing machine showing our new design; FIG. 16 is a front elevational view thereof; FIG. 17 is a rear elevational view thereof; FIG. 18 is a left-side elevational view thereof; FIG. 19 is a right-side elevational view thereof; FIG. 20 is a top plan view thereof; and, FIG. 21 is a bottom plan view thereof. The evenly dashed broken lines in the figures show portions of the washing machine which form no part of the claimed design.

1 Claim, 21 Drawing Sheets



(58) **Field of Classification Search**

CPC D06F 39/045; D06F 25/00; D06F 39/022;
A47L 15/4418

See application file for complete search history.

(56) **References Cited**

U.S. PATENT DOCUMENTS

D538,489	S	*	3/2007	Bixby	D32/6
D556,956	S	*	12/2007	Kim	D32/6
D566,347	S	*	4/2008	Cao	D32/1
D596,813	S	*	7/2009	Gruetzke	D32/6
D642,752	S	*	8/2011	Kim	D32/6
D753,353	S	*	4/2016	Kim	D32/6
D755,457	S	*	5/2016	Chung	D32/25
D759,909	S	*	6/2016	Kim	D32/6
D770,103	S	*	10/2016	Ha	D32/6
D773,755	S	*	12/2016	Hwang	D32/6
D795,511	S	*	8/2017	Jeon	D32/6
D798,511	S	*	9/2017	Bixby	D32/6
D817,568	S	*	5/2018	Ha	D32/6
D818,219	S	*	5/2018	Bixby	D32/6
D818,221	S	*	5/2018	Ha	D32/6
D832,534	S	*	10/2018	Ha	D32/6
D833,091	S	*	11/2018	Ayers	D32/6
D835,864	S	*	12/2018	Ha	D32/6
D839,503	S	*	1/2019	Ha	D32/6
D839,506	S	*	1/2019	Ha	D32/6

* cited by examiner

FIG. 1

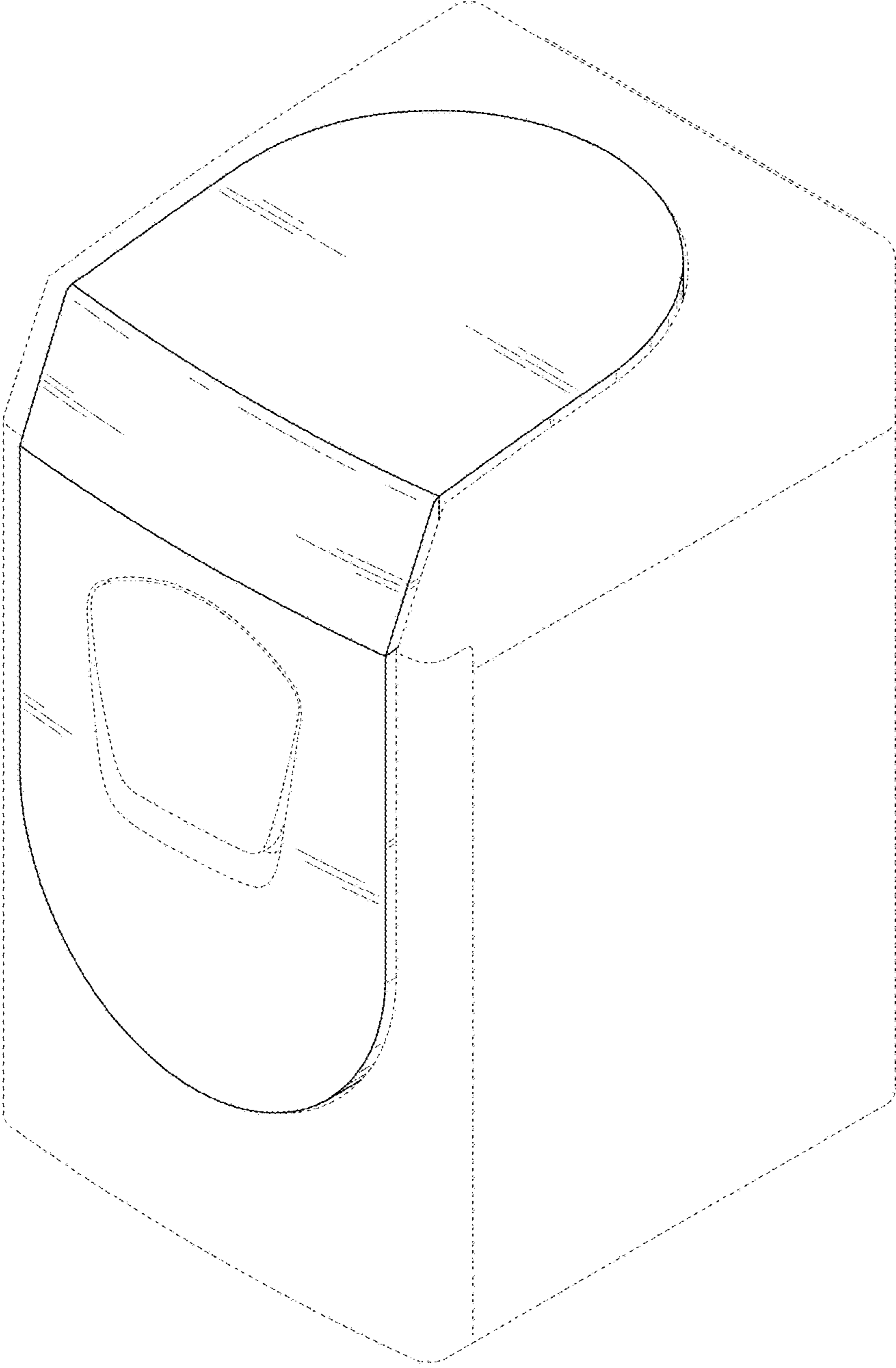


FIG. 2

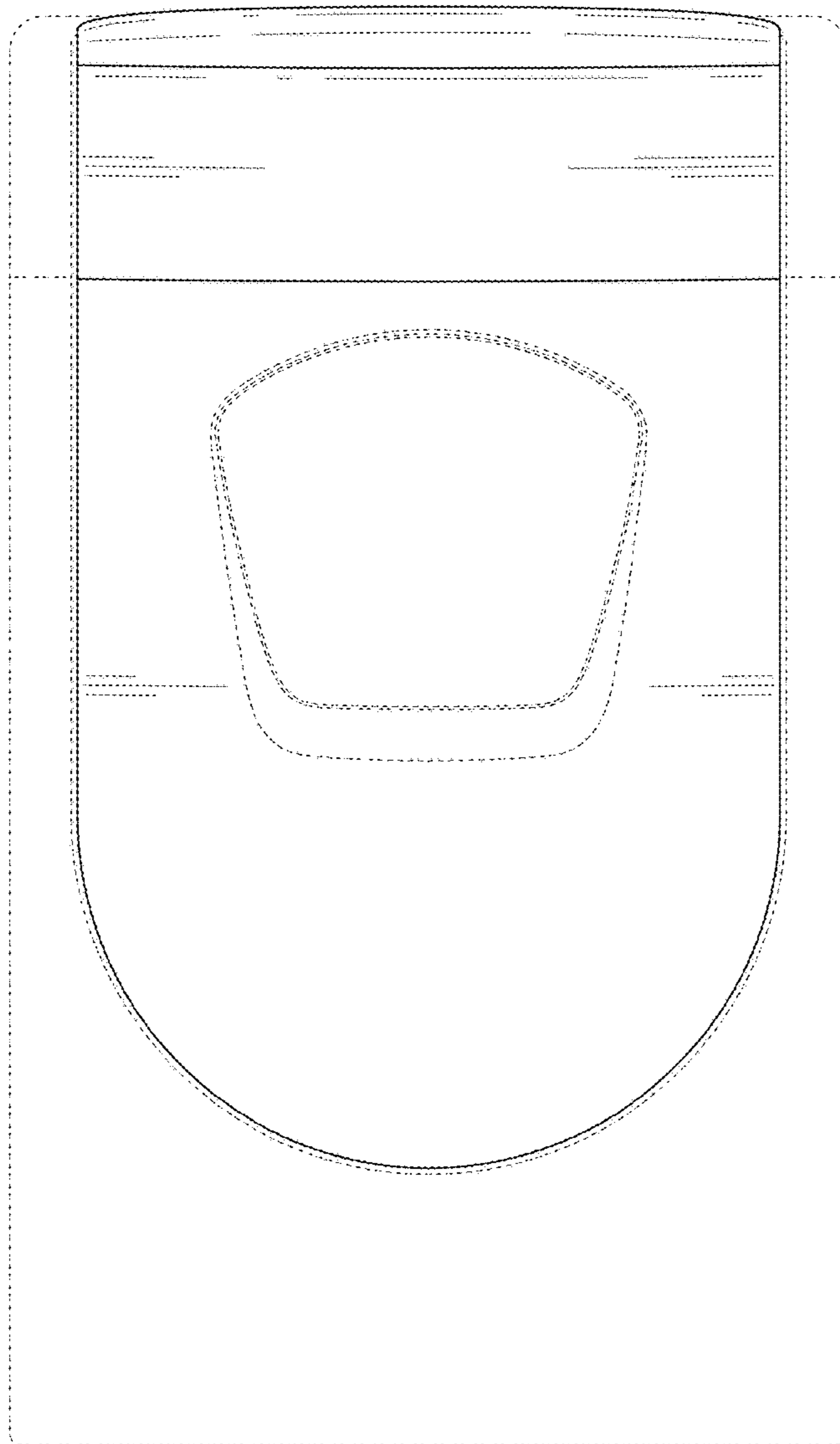


FIG. 3



FIG. 4

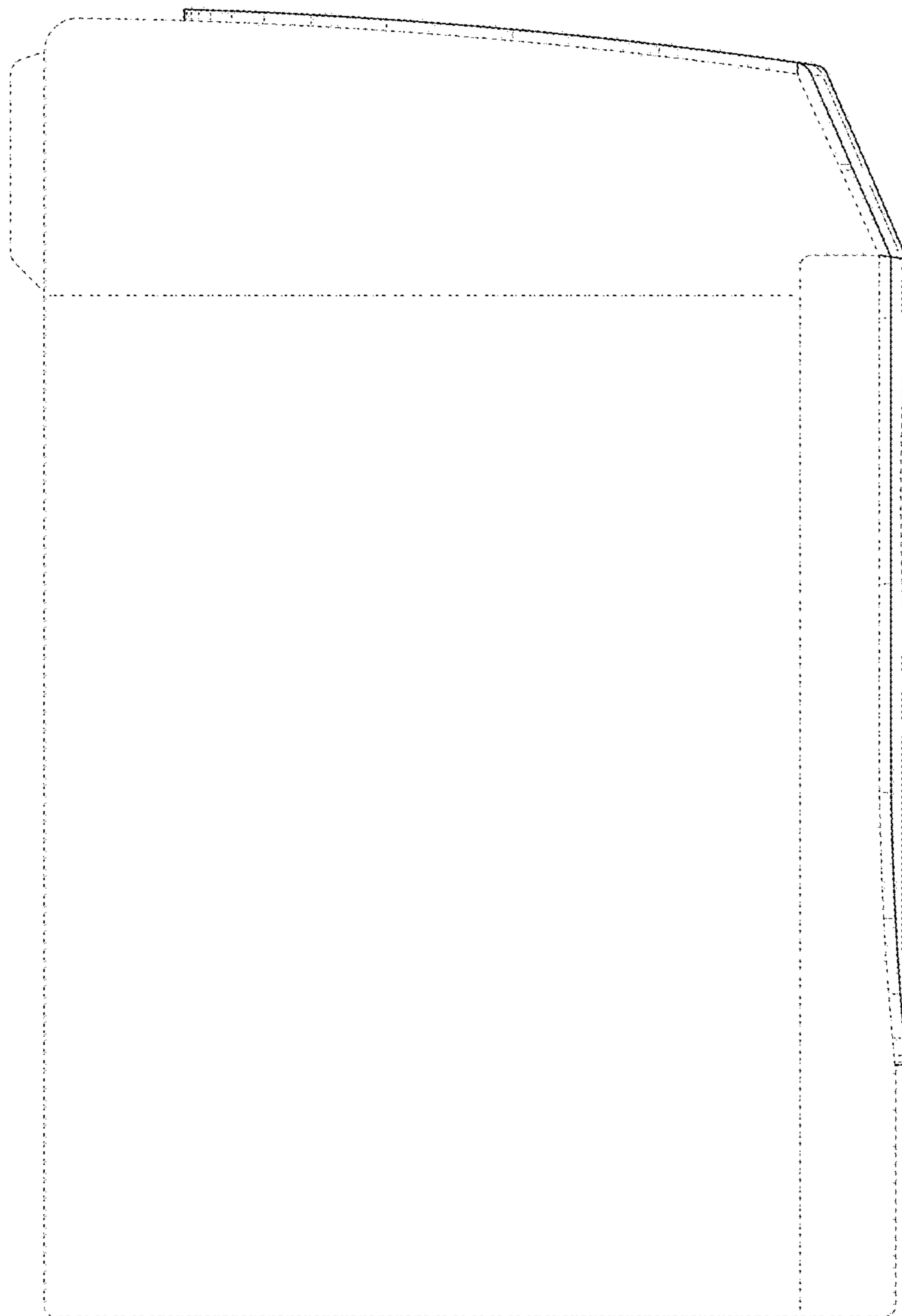


FIG. 5

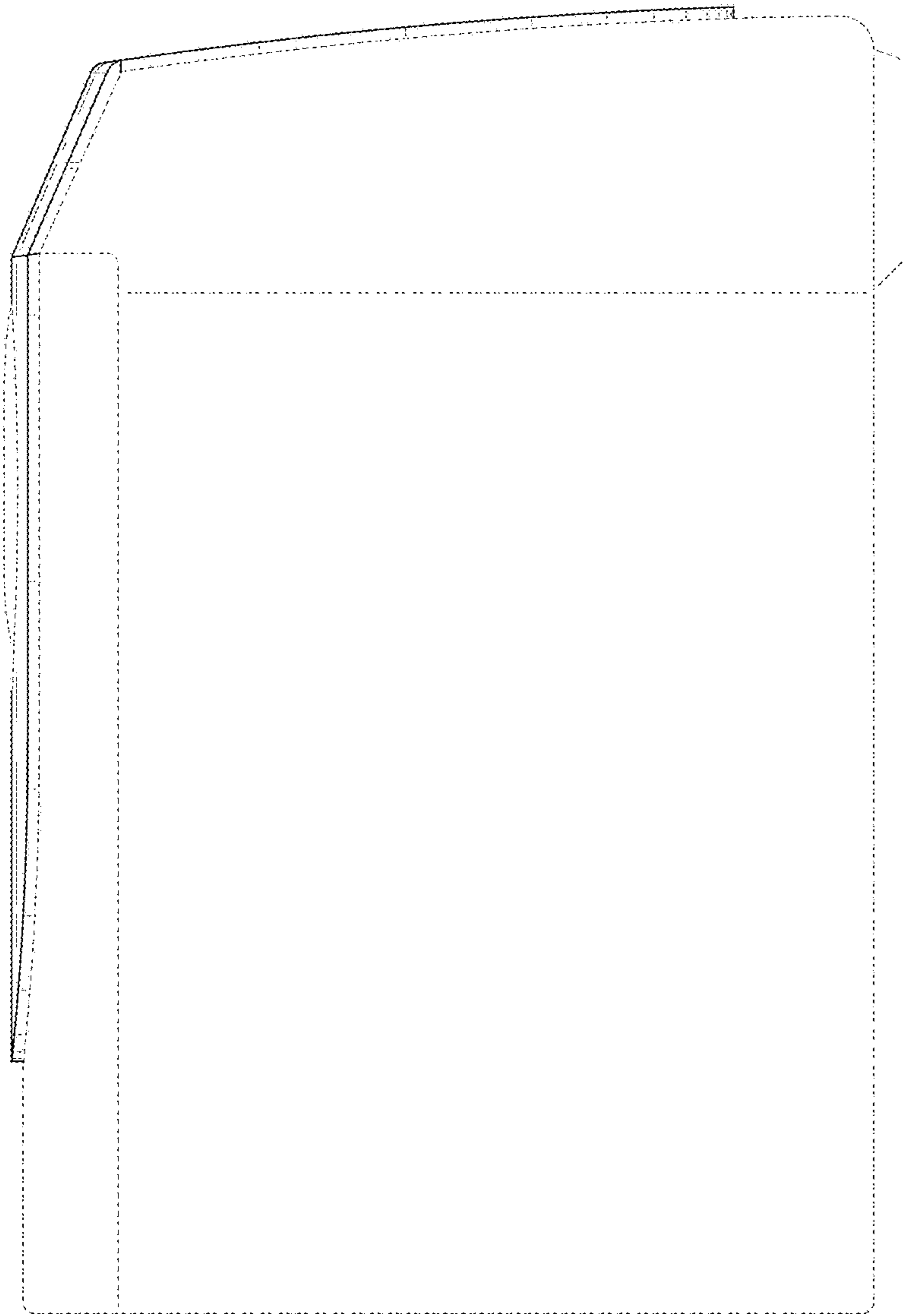


FIG. 6

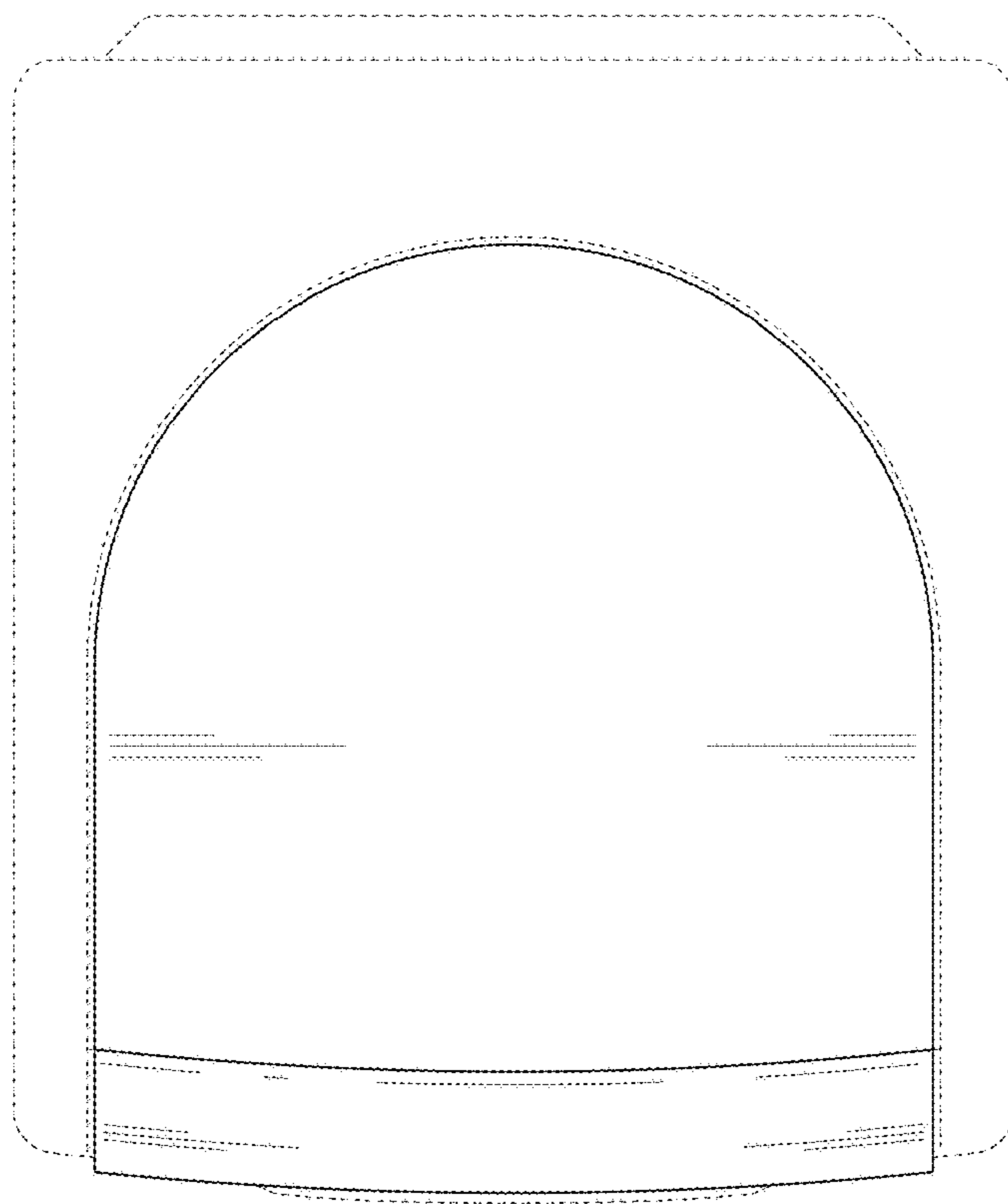


FIG. 7



FIG. 8

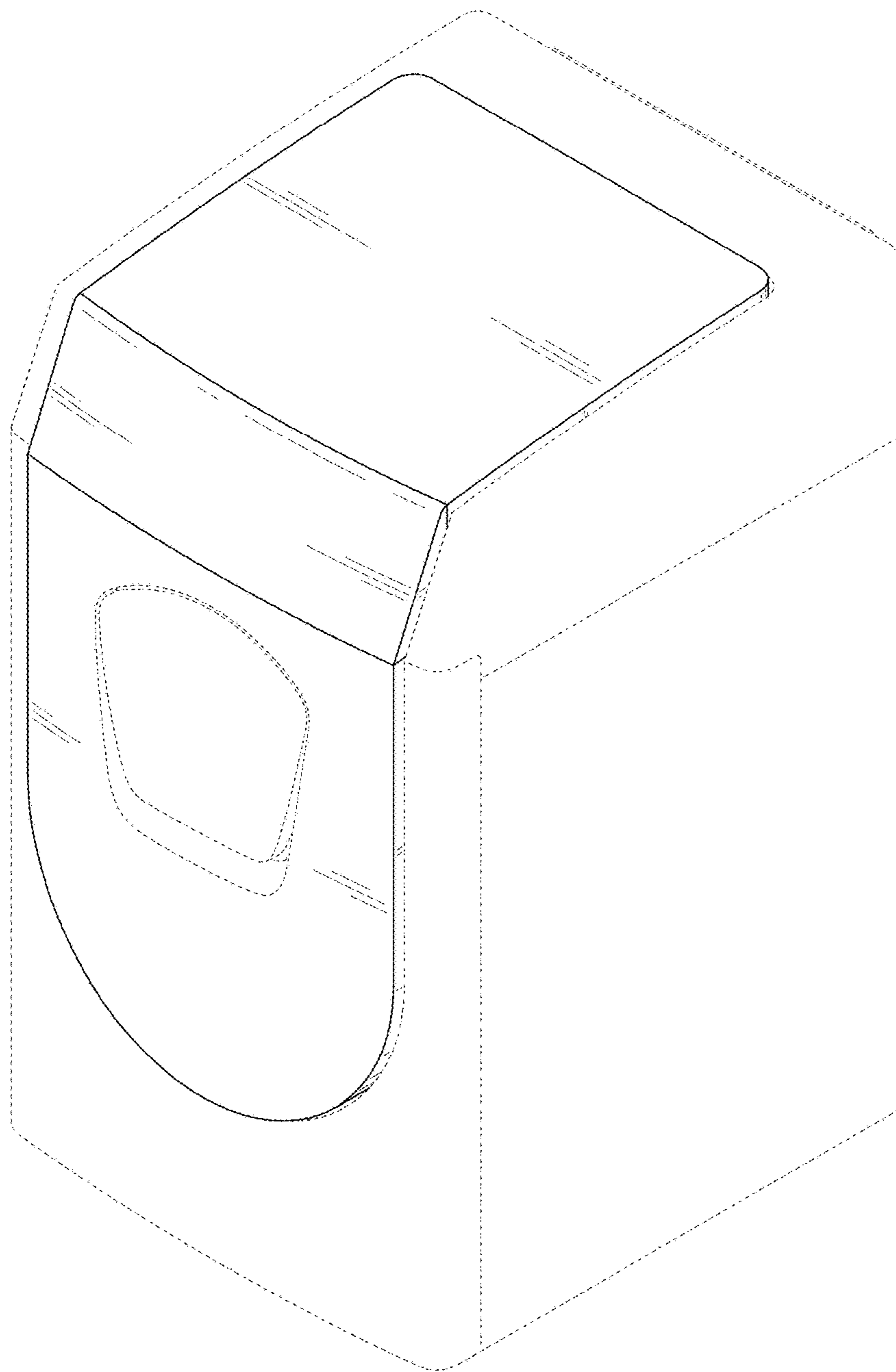


FIG. 9

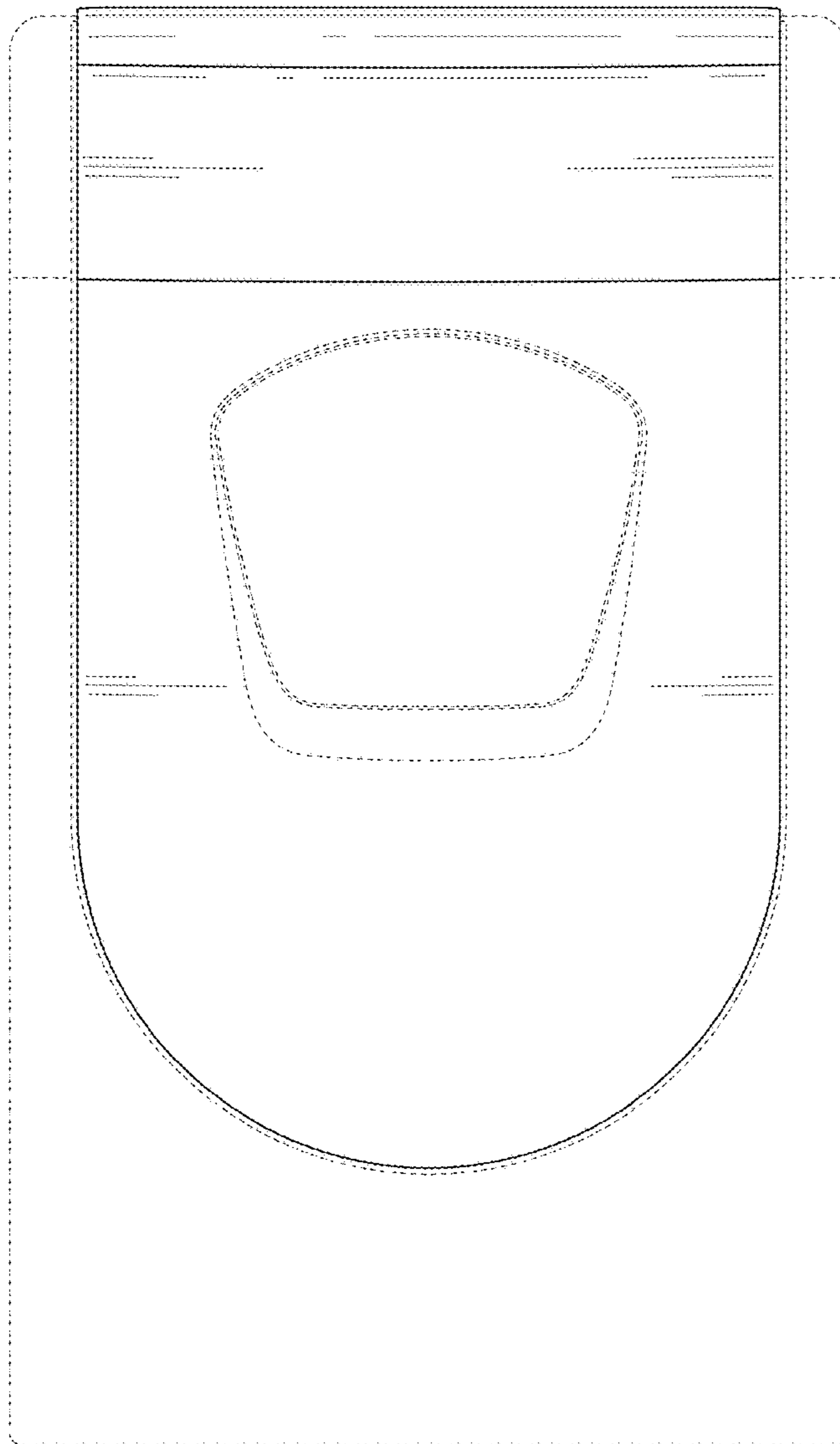


FIG. 10



FIG. 11

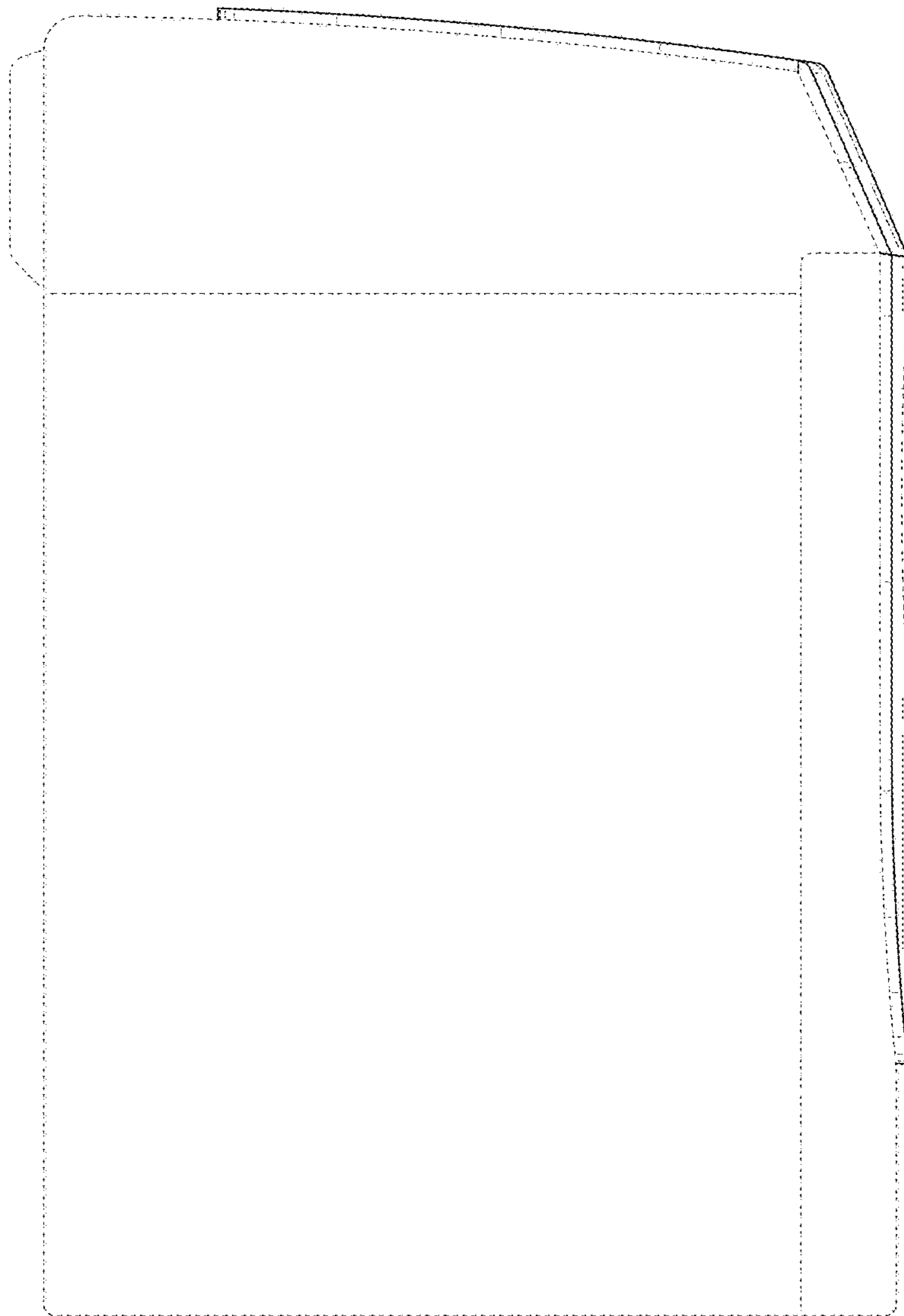


FIG. 12

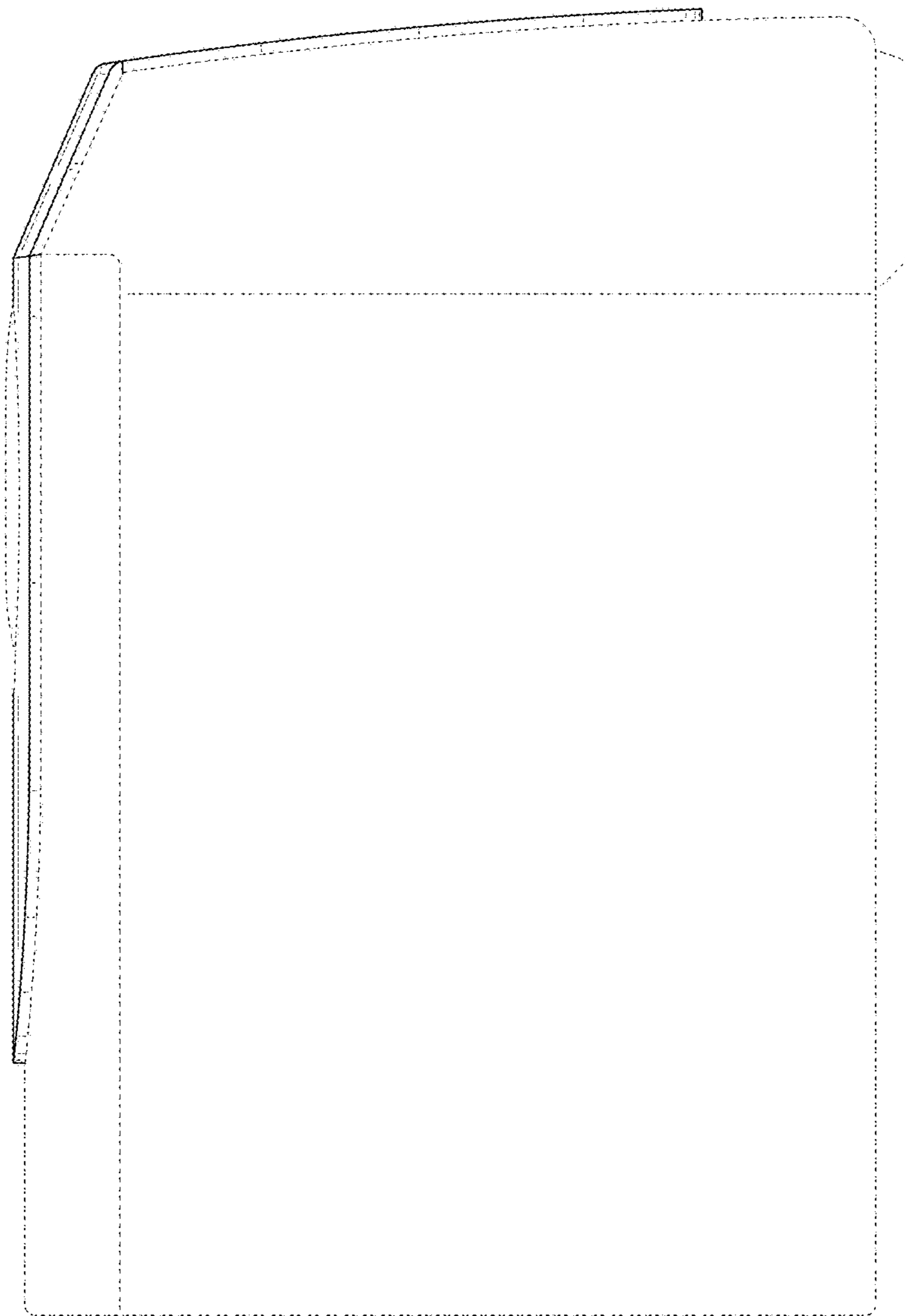


FIG. 13

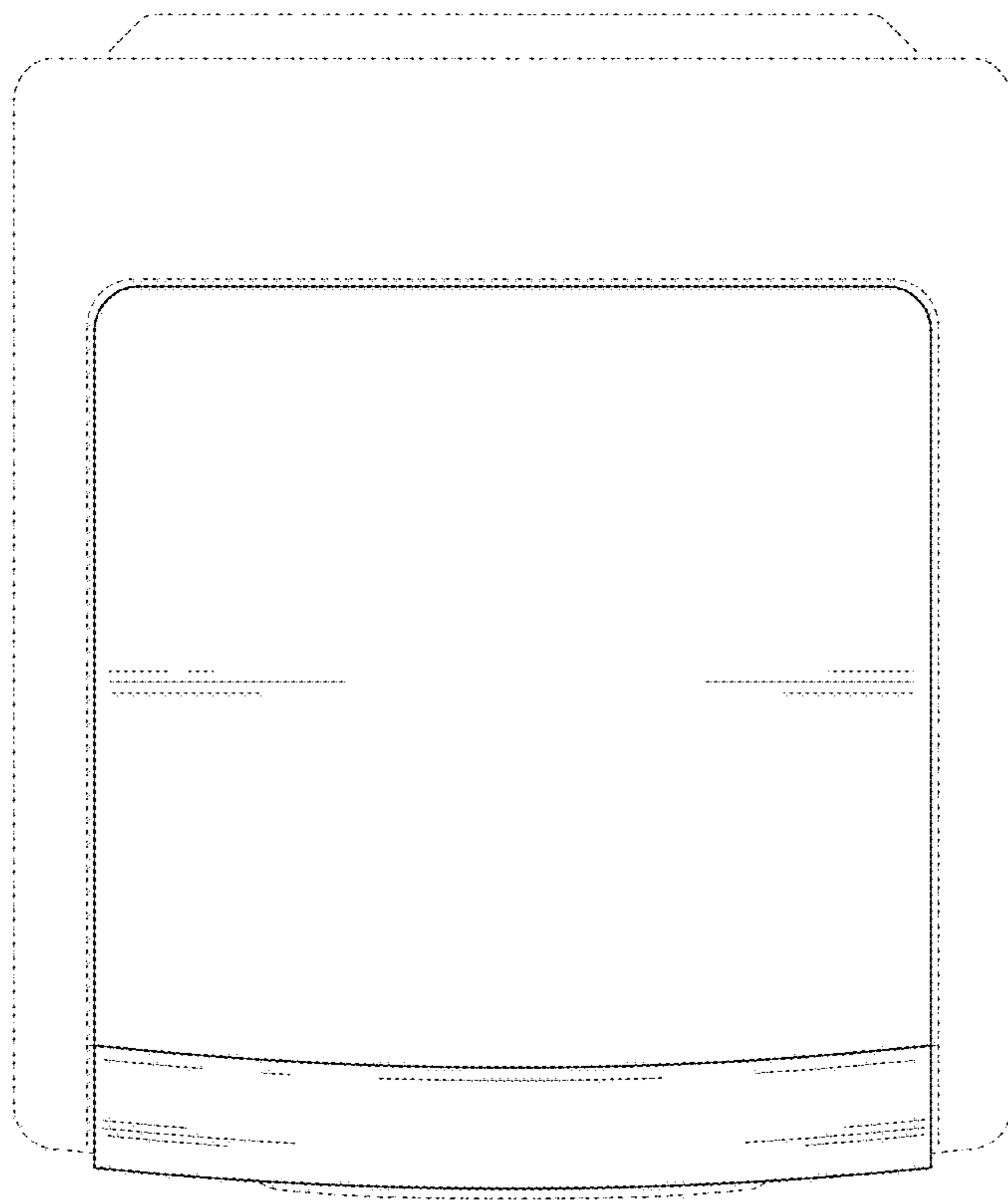


FIG. 14



FIG. 15

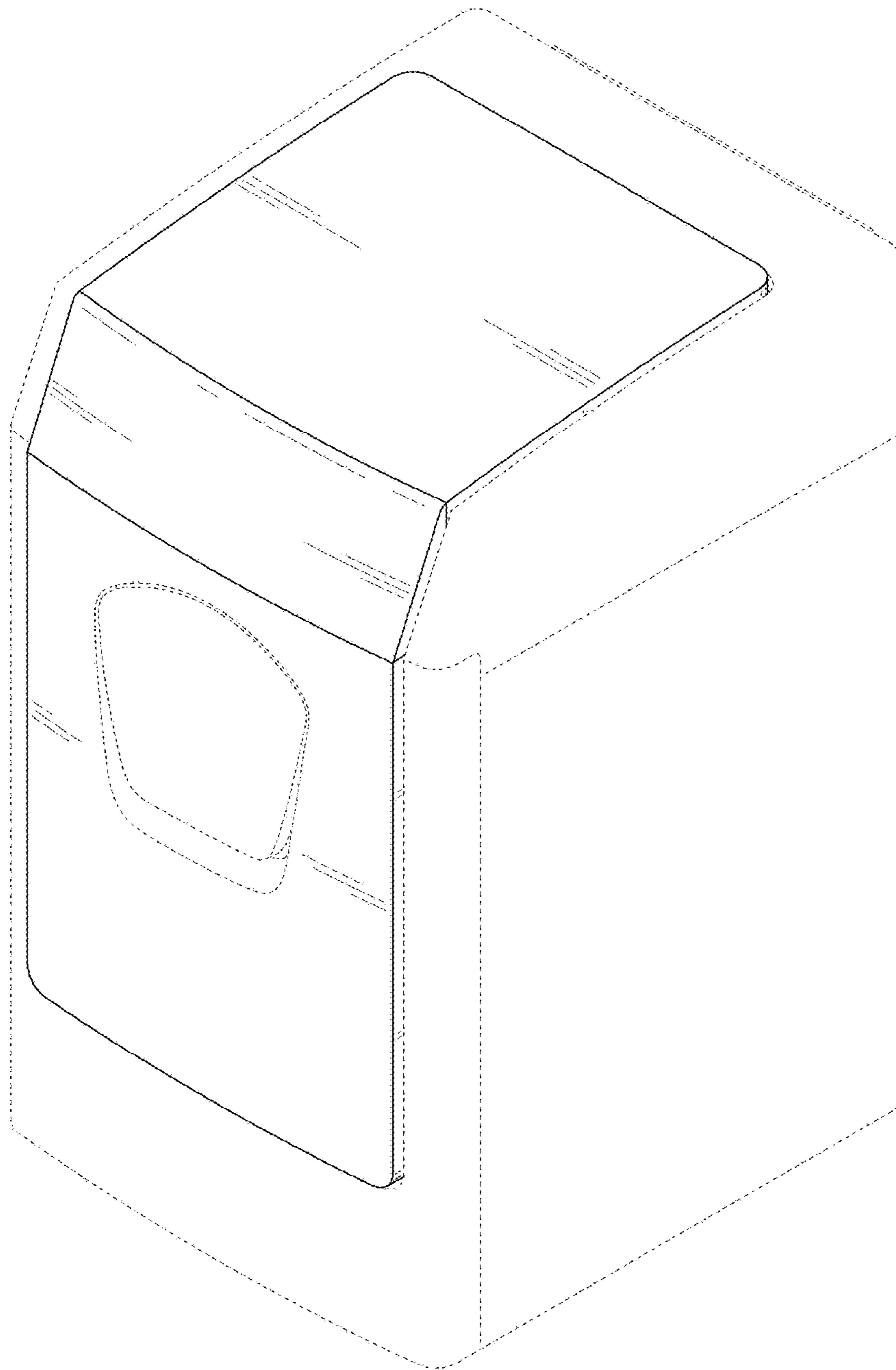


FIG. 16

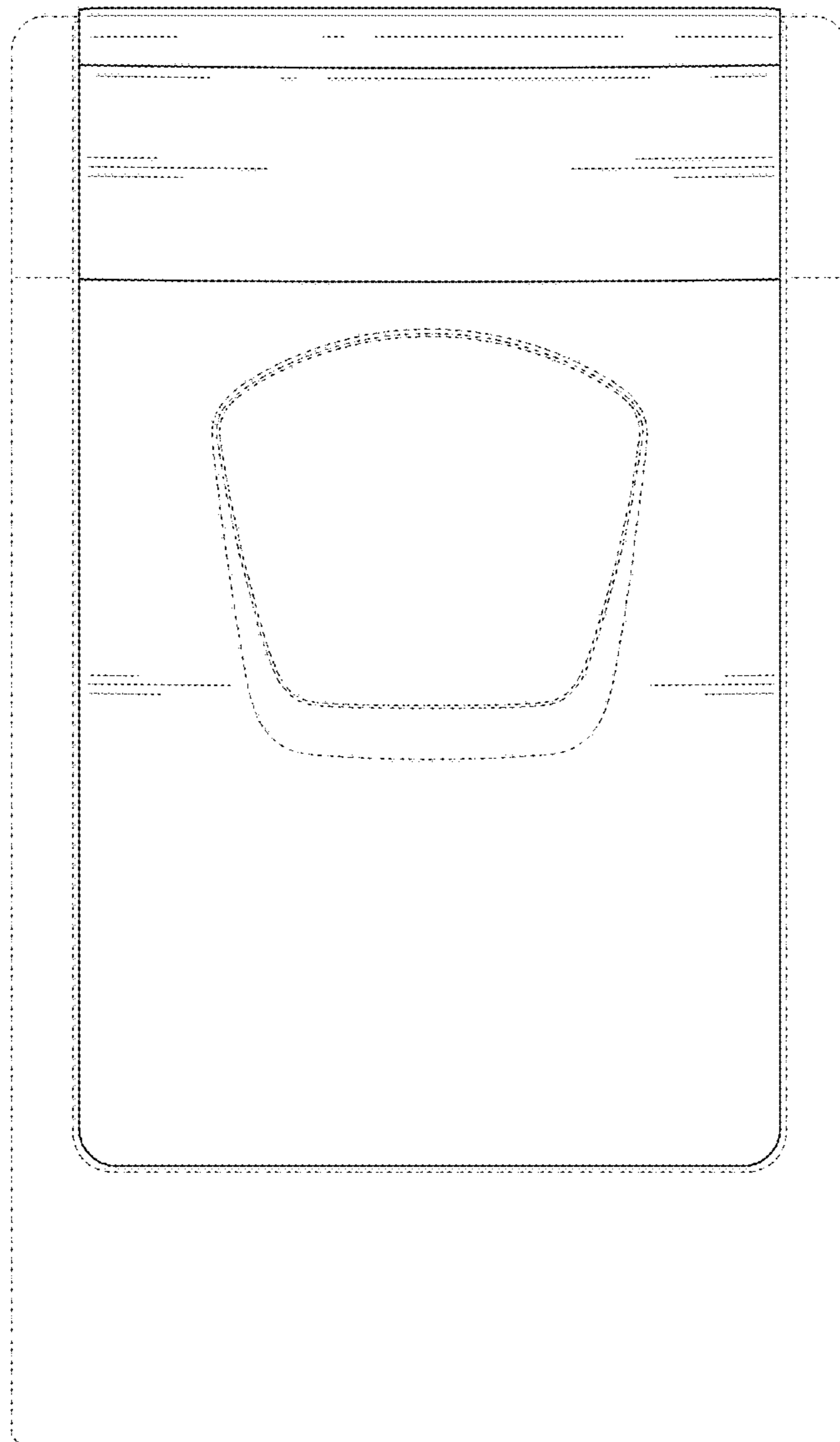


FIG. 17

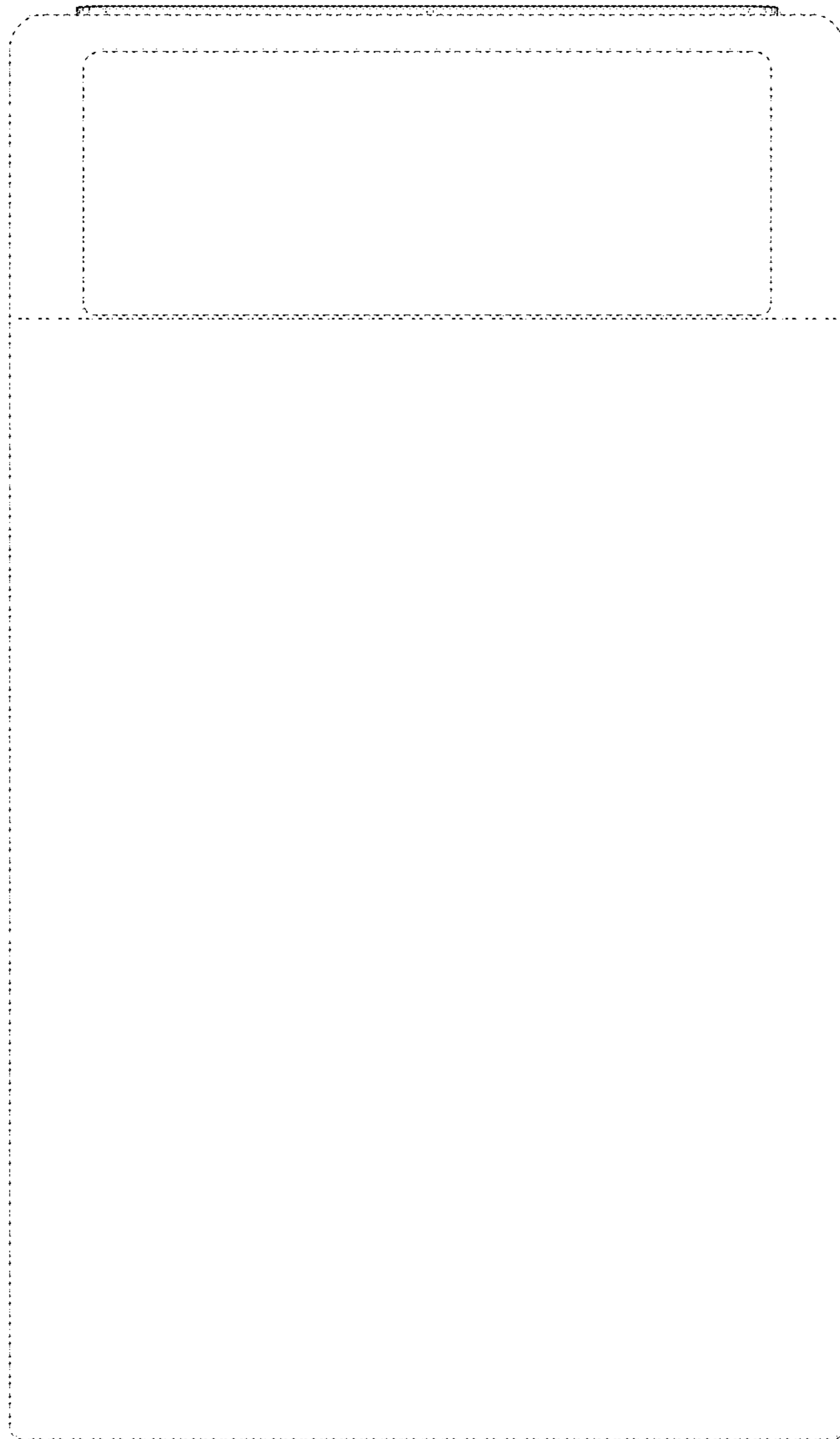


FIG. 18

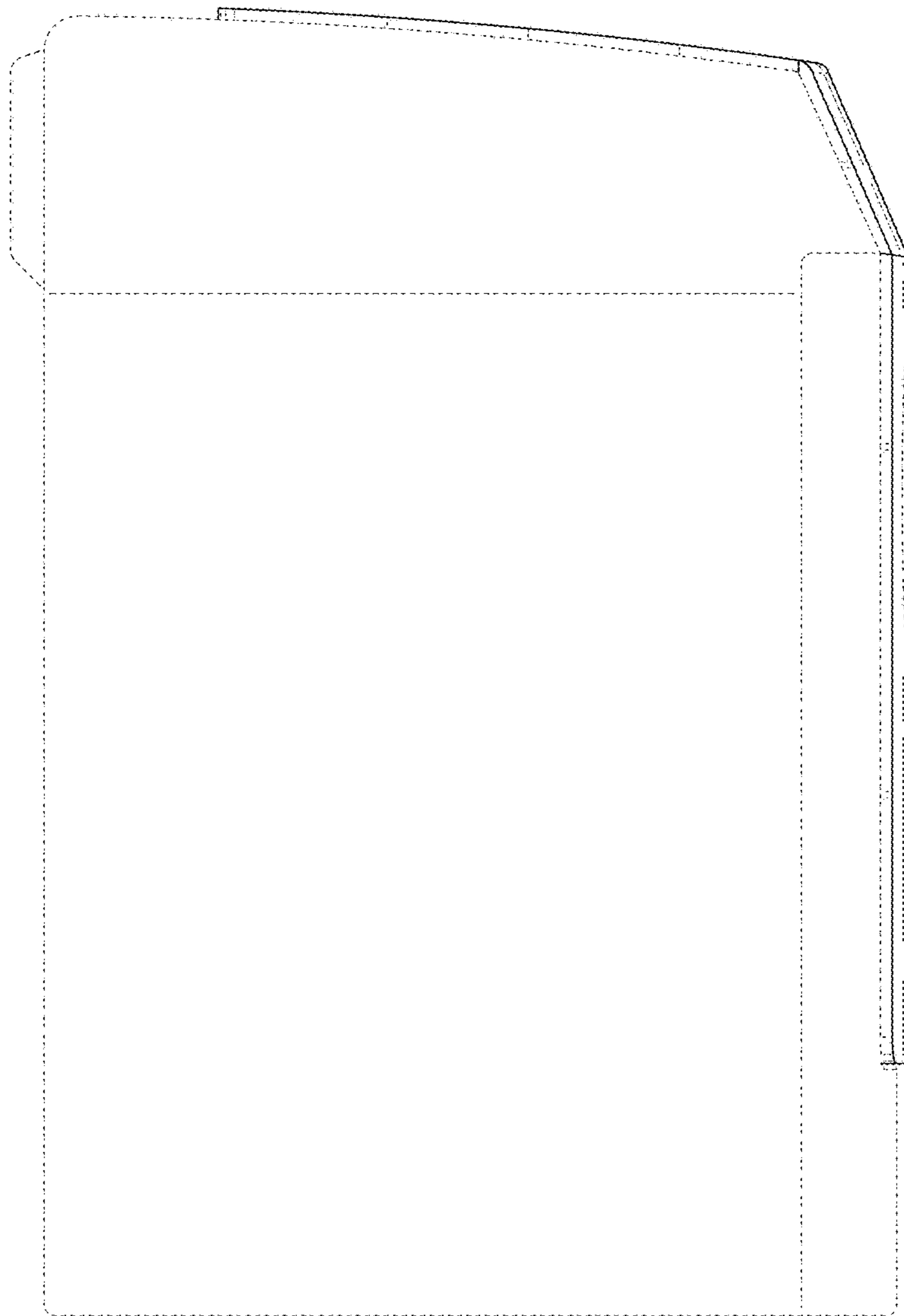


FIG. 19

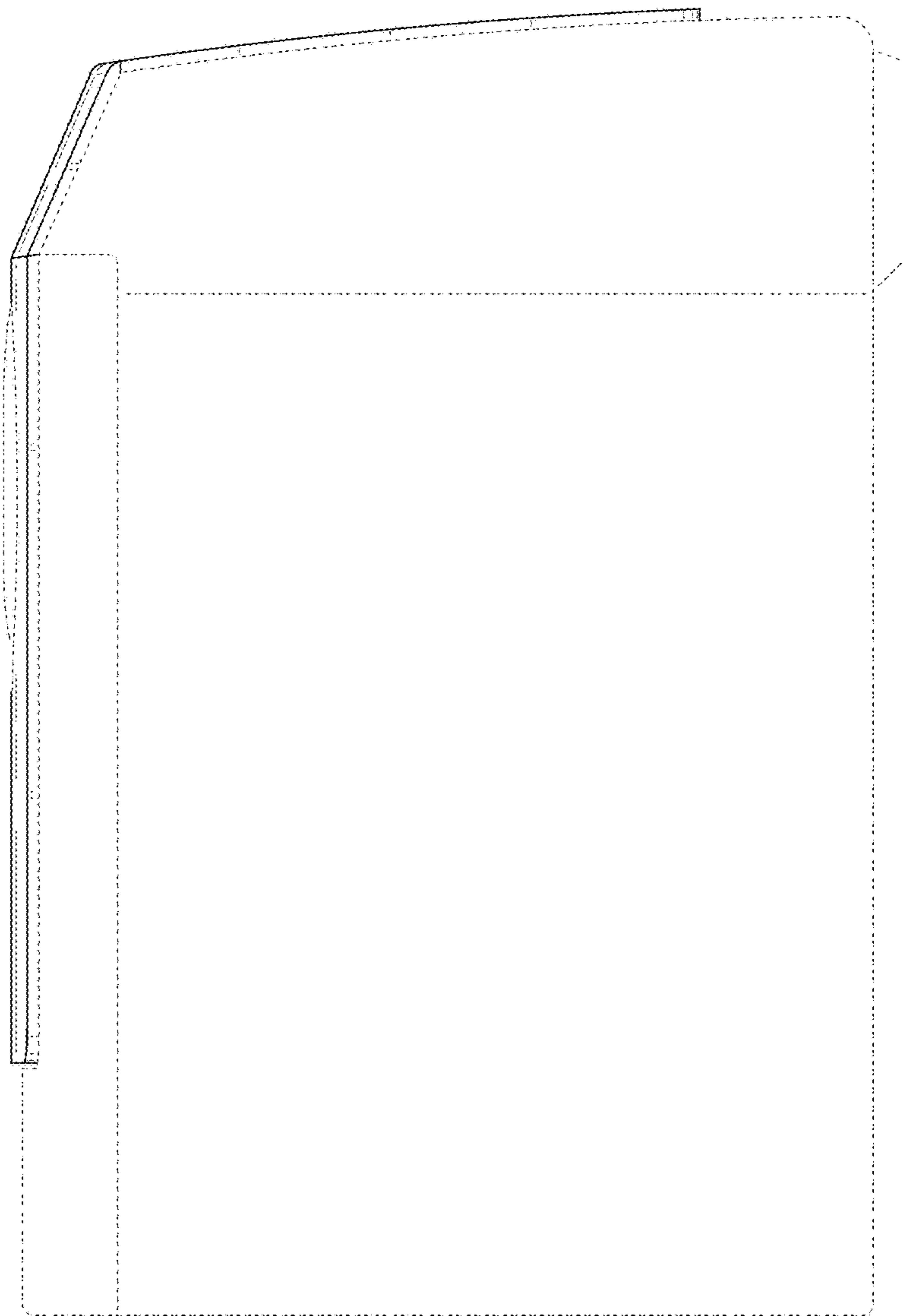


FIG. 20

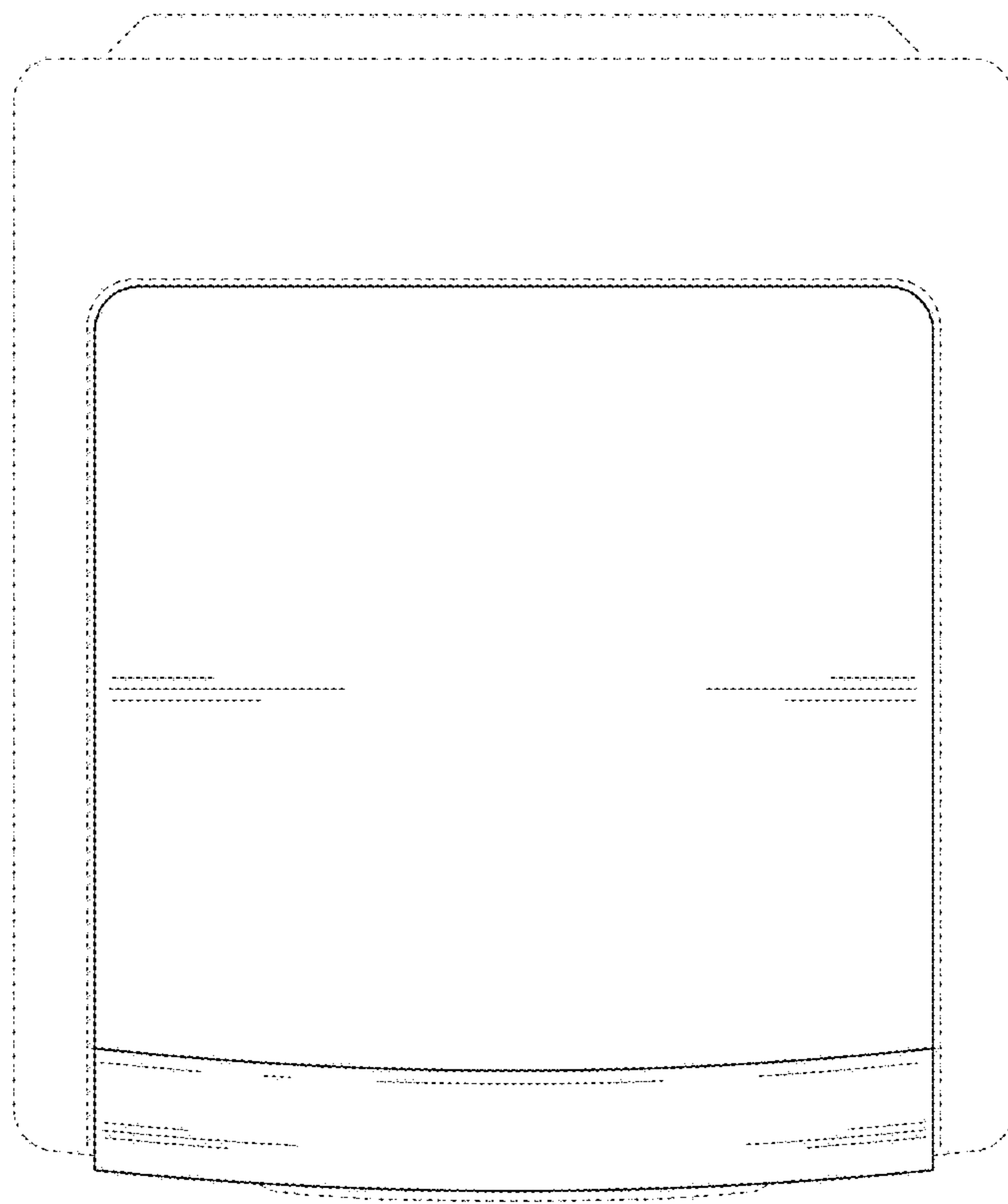


FIG. 21

