



US00D866097S

(12) **United States Design Patent** (10) **Patent No.:** **US D866,097 S**
Steinkraus (45) **Date of Patent:** **** Nov. 5, 2019**

(54) **FOOTBALL TOY**

A63B 2071/0602; A63B 21/0055; A63B 2207/02; A63B 2225/54; A63B 69/0053; A63B 2047/043

(71) Applicant: **Gramercy Products, Inc.**, Secaucus, NJ (US)

See application file for complete search history.

(72) Inventor: **William Steinkraus**, Fort Lee, NJ (US)

(56) **References Cited**

(73) Assignee: **GRAMERCY PRODUCTS, INC.**, Secaucus, NJ (US)

U.S. PATENT DOCUMENTS

(**) Term: **15 Years**

D498,802 S * 11/2004 Chang D21/712
D505,463 S * 5/2005 Horkan D21/712

(Continued)

(21) Appl. No.: **29/646,857**

OTHER PUBLICATIONS

(22) Filed: **May 8, 2018**

Liberty Imports [Set of 3] Pro Sports Spiral Foam Football, posted at amazon.com, earliest date reviewed on Sep. 6, 2016, [online], acquired on Feb. 27, 2019. Available from Internet, <URL: https://www.amazon.com/Liberty-Imports-Sports-Spiral-Football/dp/B01D0PVD7K/ref=cm_cr_arp_d_product_top?ie=UTF8> (Year: 2016).*

(51) **LOC (12) Cl.** **30-99**

(52) **U.S. Cl.**
USPC **D30/160**

(58) **Field of Classification Search**
USPC D21/398, 400, 402, 412, 415, 426, 436, D21/439, 440, 441, 443, 455, 460-462, D21/466-468, 479, 495, 563, 656, 712, D21/713, 788, 799.1, 470, 681, 386, 484, D21/707, 408, 437, 673, 678, 679, 682, D21/714; D24/211, 212, 214, 215, D24/193-195; D30/160, 112, 119; D1/120, 125-127

(Continued)

Primary Examiner — Sheryl Lane

Assistant Examiner — Aula Soroush

(74) *Attorney, Agent, or Firm* — Thomas A. O'Rourke; Bodner & O'Rourke, LLP

CPC A63H 5/00; A63H 33/26; A63H 33/18; A63H 29/22; A63H 29/24; A63H 2200/00; A63H 11/00; A63H 13/00; A63H 18/02; A63H 18/14; A63H 18/16; A63H 29/00; A63H 33/009; A63H 33/22; A63H 33/3055; A63H 3/003; A63H 3/006; A63H 3/008; A63H 3/24; A63H 3/28; A63H 3/31; A63H 3/36; A63H 9/00; A63B 59/20; A63B 69/406; A63B 47/04; A63B 2220/51; A63B 2220/53; A63B 2220/56; A63B 2220/805; A63B 2071/0625; A63B 2071/063; A63B 2220/17; A63B 2220/18; A63B 2220/40; A63B 2220/803; A63B 2220/833; A63B 43/004; A63B 43/06; A63B 71/0622;

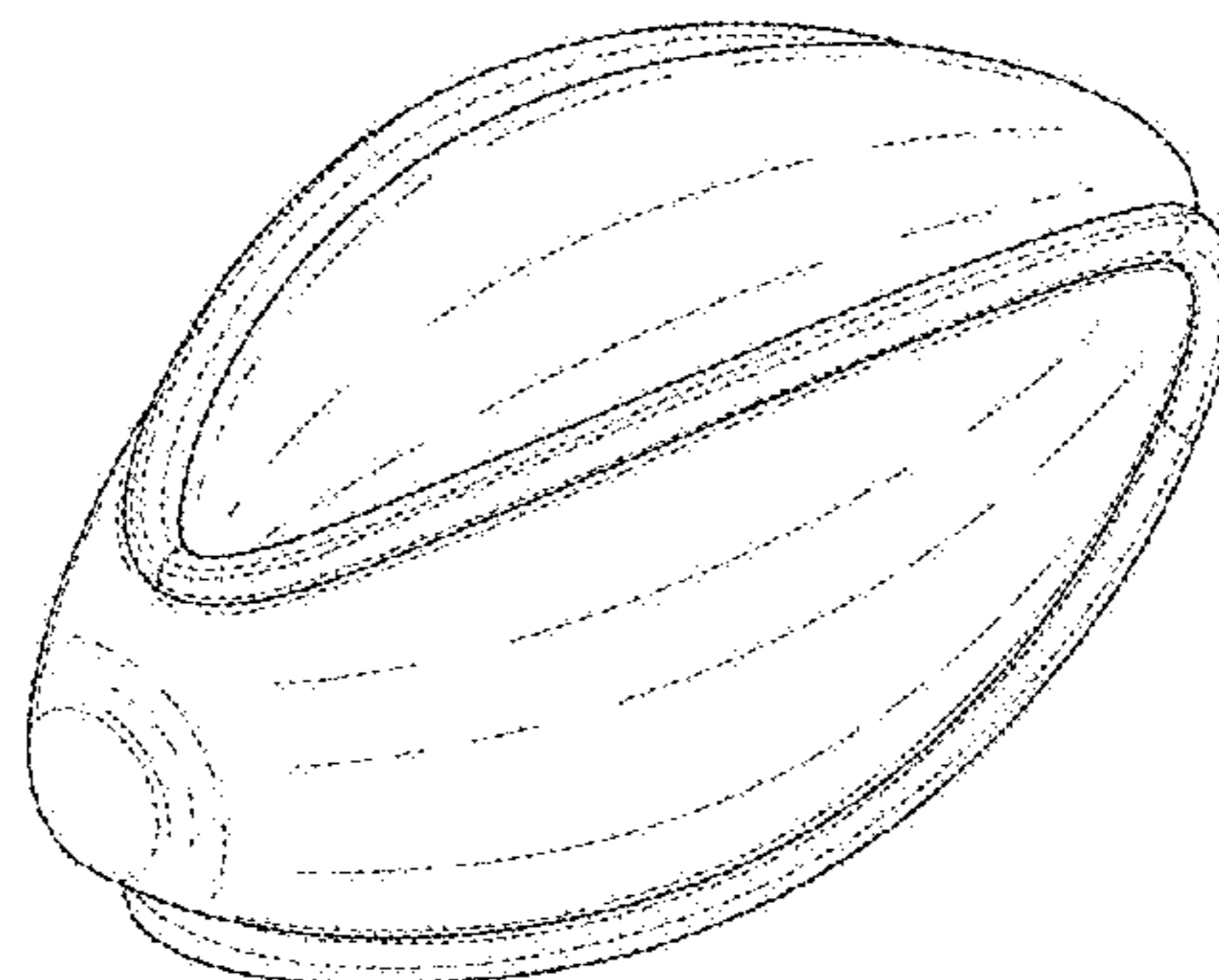
(57) **CLAIM**

The ornamental design for a football toy, as shown and described.

DESCRIPTION

FIG. 1 is a perspective view of a football toy in accordance with the present invention.
FIG. 2 is top plan view thereof;
FIG. 3 is a bottom plan view thereof;
FIG. 4 is a right side elevation view thereof;
FIG. 5 is a left side elevation view thereof;
FIG. 6 is a front elevation view thereof; and,
FIG. 7 is a rear elevation view thereof.

(Continued)



The shading is used only to show contrast in the figures. The toy does not require that there be contrast.

1 Claim, 5 Drawing Sheets

(56)

References Cited

U.S. PATENT DOCUMENTS

D551,308 S * 9/2007 Chang D21/712
D571,874 S * 6/2008 Krysiak D21/712
D584,778 S * 1/2009 Bevier D21/712
D624,251 S * 9/2010 Rutherford D30/160
D637,666 S * 5/2011 Erickson D21/712
8,584,620 B2 * 11/2013 Rutherford A01K 15/025
119/707
D749,802 S * 2/2016 Crane D30/160

D795,366 S * 8/2017 Montgomery D21/712
D795,976 S * 8/2017 Montgomery D21/712
D832,945 S * 11/2018 Steinkraus D21/712
D836,260 S * 12/2018 Cox D30/160
D839,367 S * 1/2019 Warren D21/712
2007/0022971 A1 * 2/2007 Renforth A01K 15/026
119/707
2007/0072712 A1 * 3/2007 Chernick A63B 37/08
473/594

OTHER PUBLICATIONS

Kong Ballistic Football Dog Toy, posted at [allthebestpetcare.com](https://www.allthebestpetcare.com), earliest date reviewed on unknown, [online], acquired on Jun. 12, 2019, Available on internet. url:<https://www.allthebestpetcare.com/product/kong-ballistic-football-dog-toy/> (Year: 2019).*

* cited by examiner

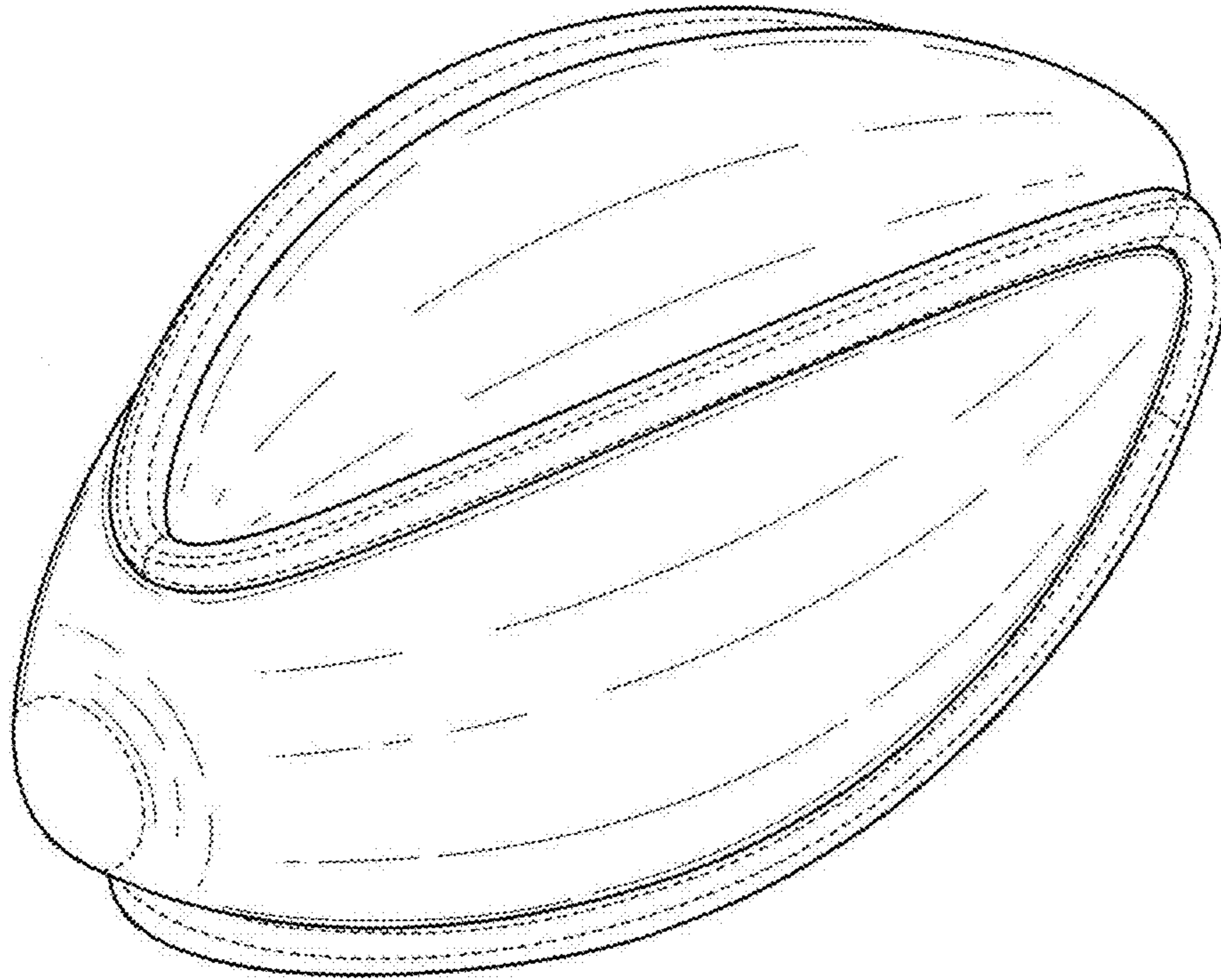


FIG. 1

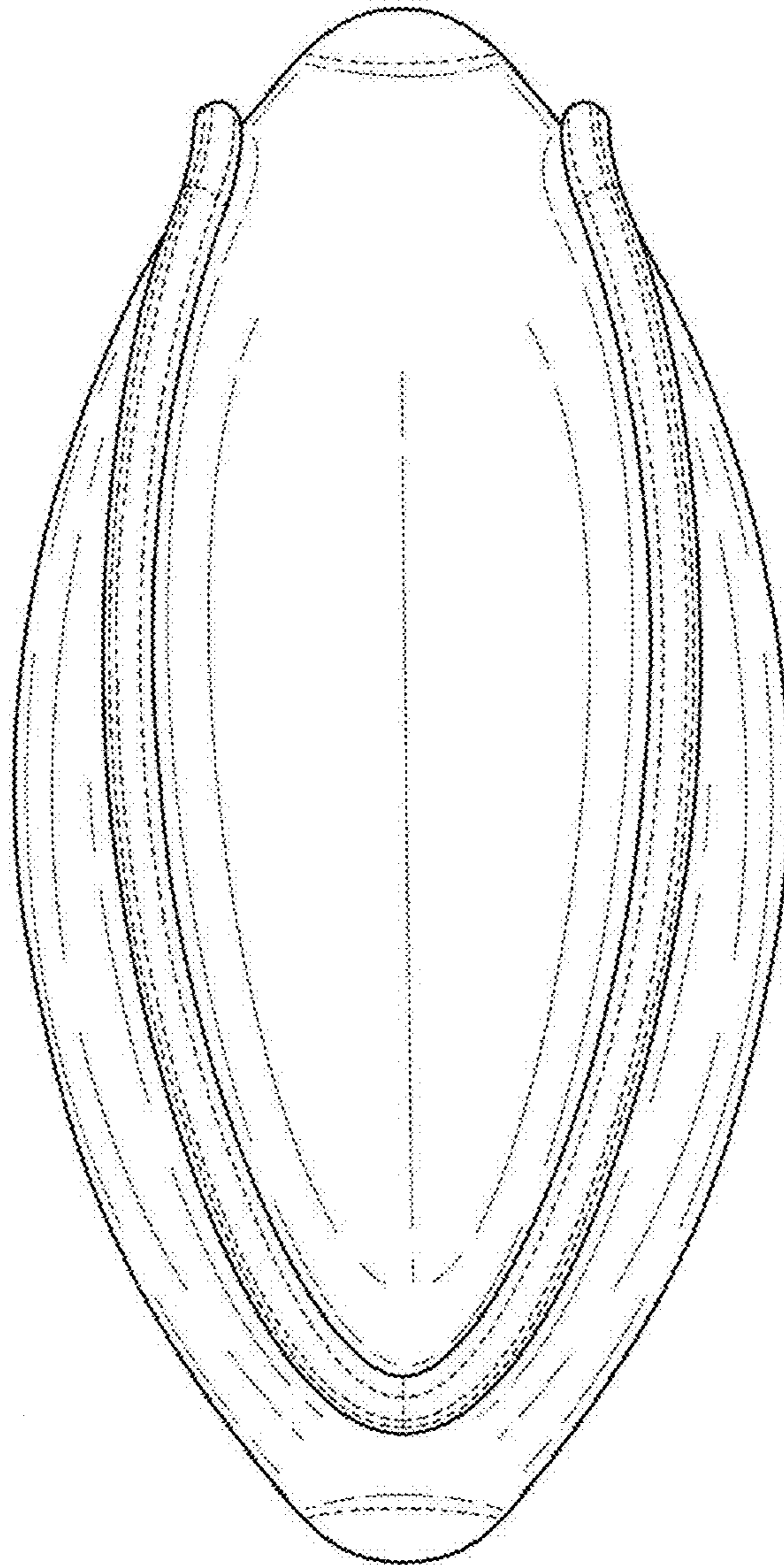


FIG. 2

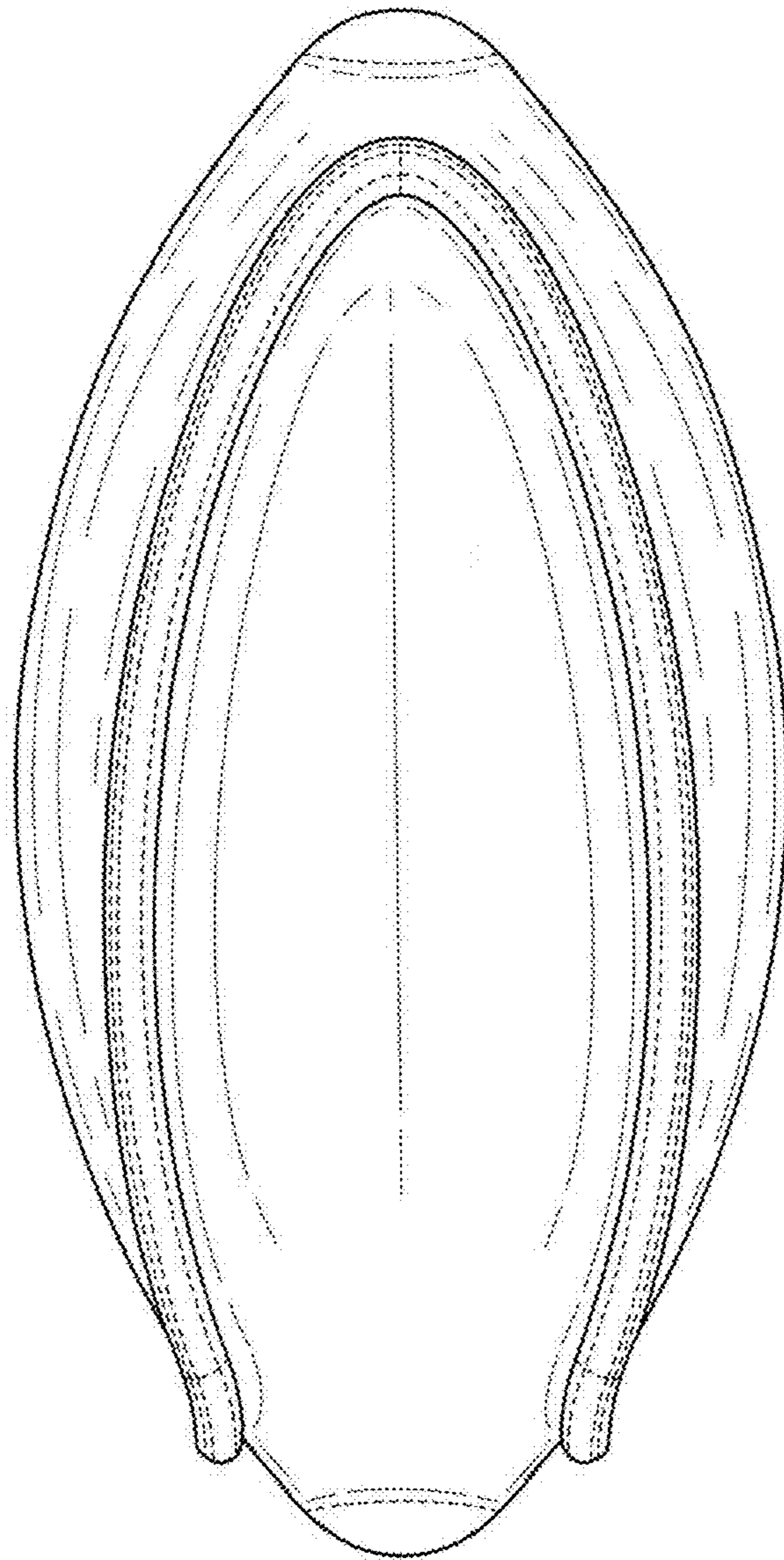


FIG. 3

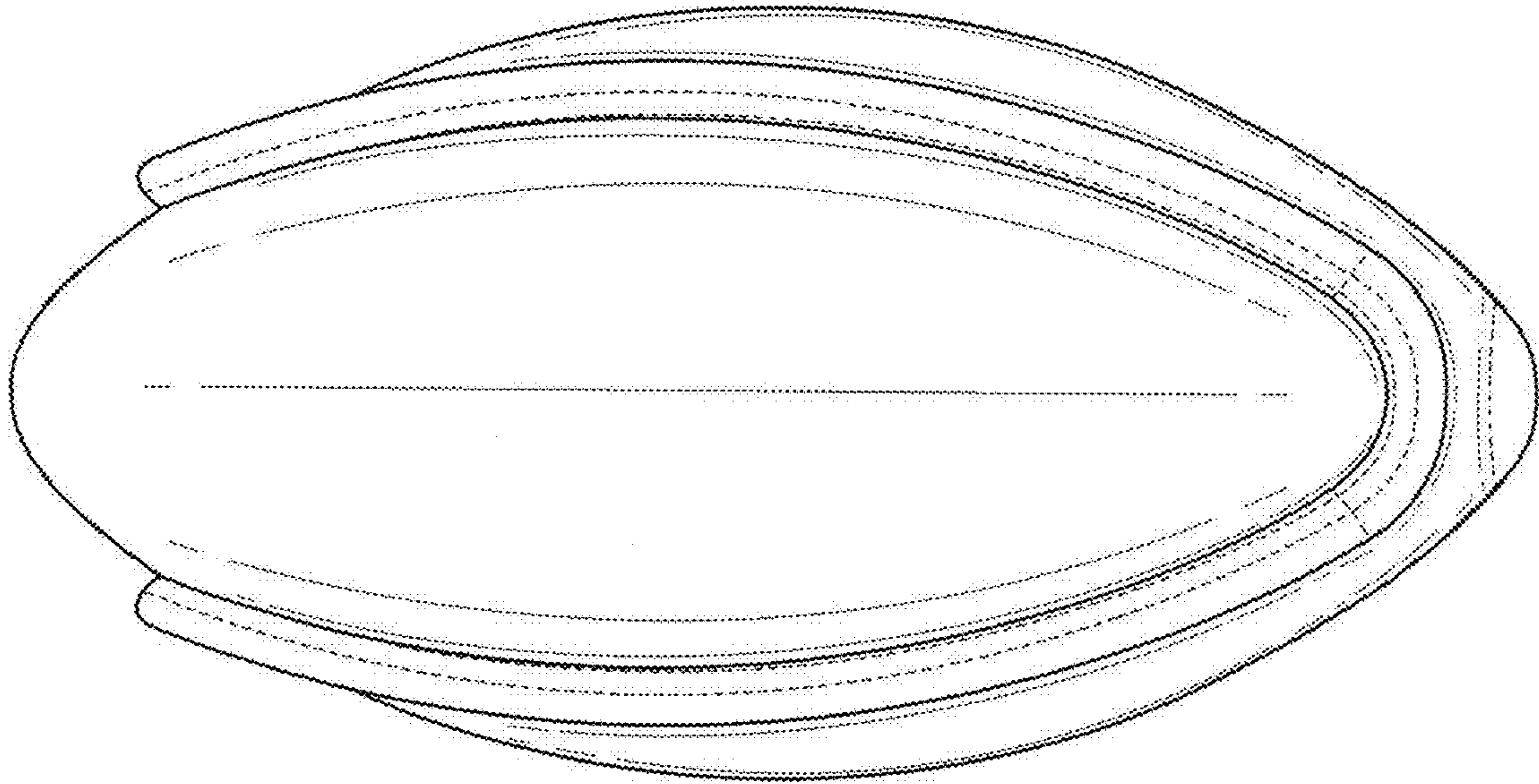


FIG. 4

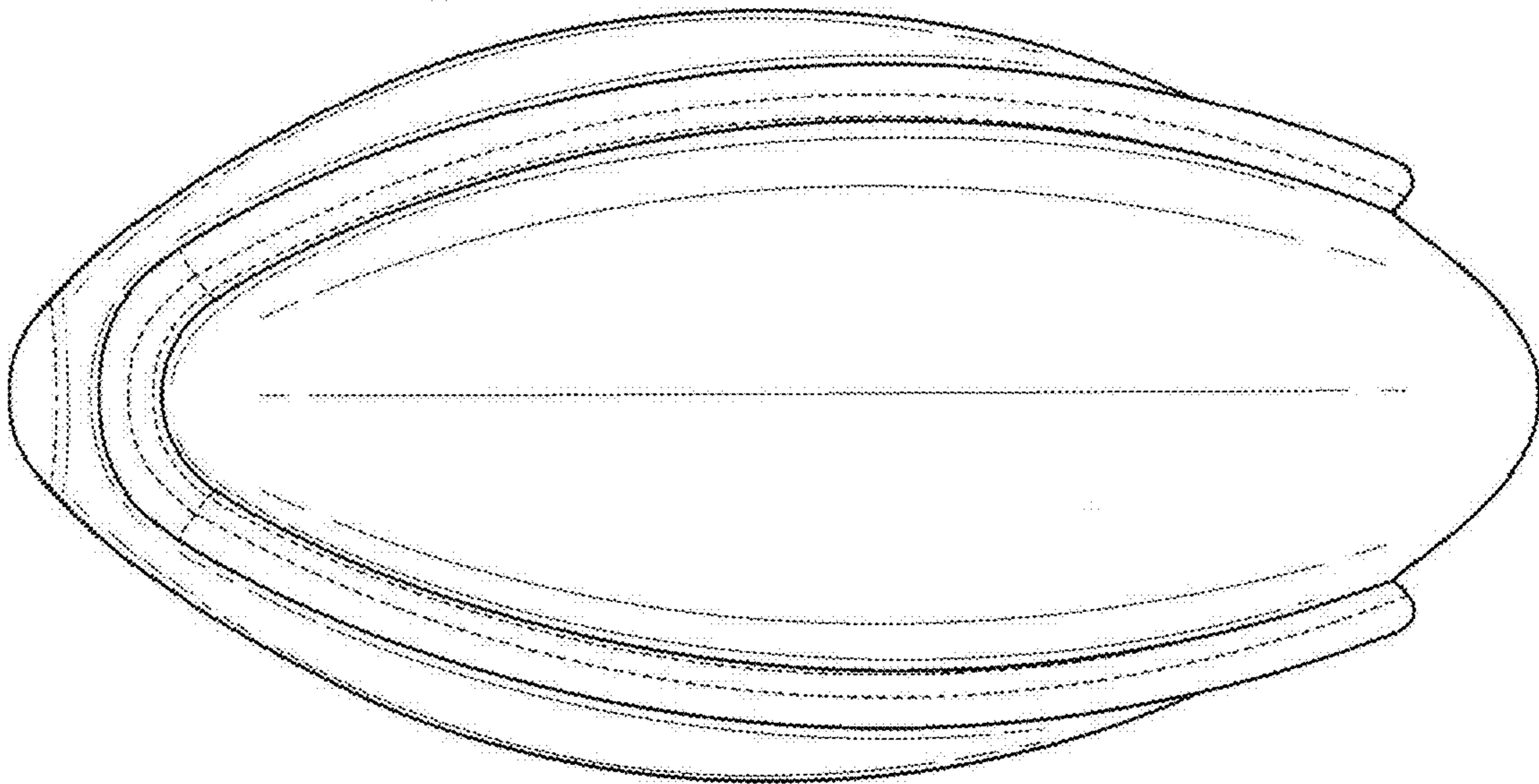


FIG. 5

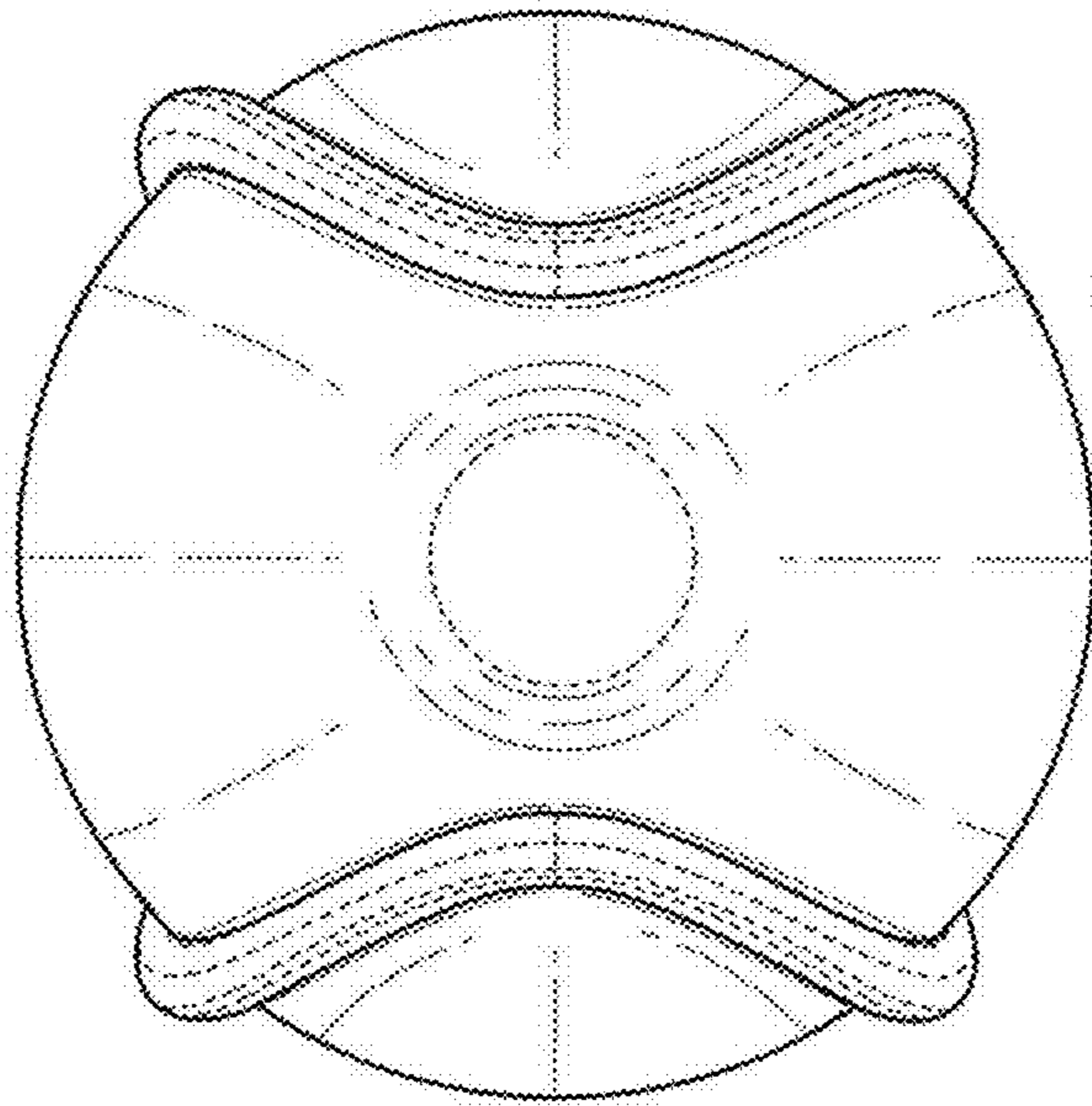


FIG. 6

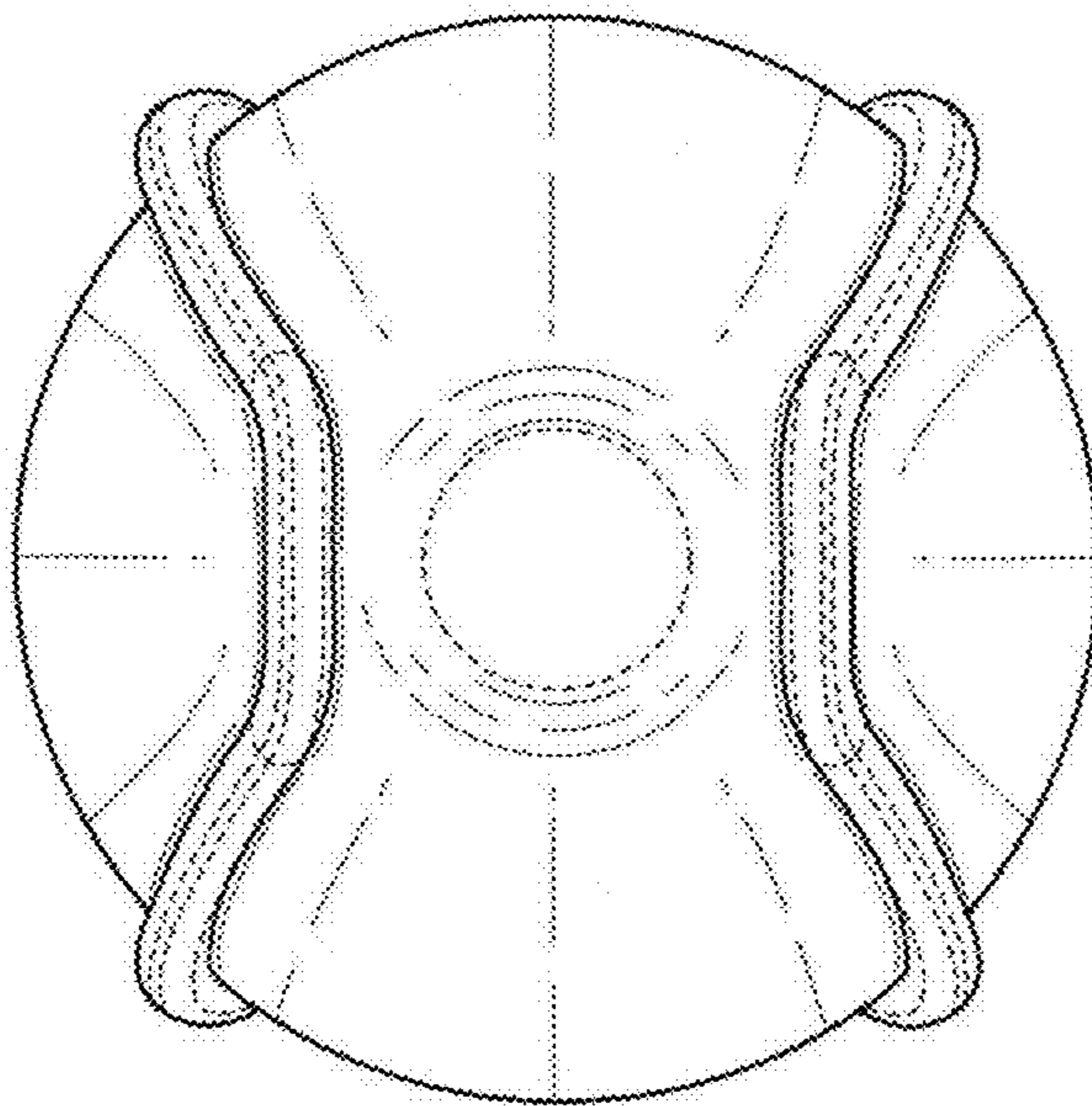


FIG. 7