



US00D866092S

(12) **United States Design Patent** (10) **Patent No.:** **US D866,092 S**
Liang (45) **Date of Patent:** **** Nov. 5, 2019**

- (54) **PET BATH MASSAGE BRUSH**
- (71) Applicant: **Yinghao Liang**, Henan (CN)
- (72) Inventor: **Yinghao Liang**, Henan (CN)
- (73) Assignee: **Shanghai Qinxu Industry Co., Ltd.**
- (**) Term: **15 Years**
- (21) Appl. No.: **29/623,031**
- (22) Filed: **Oct. 20, 2017**
- (51) **LOC (12) Cl.** **30-99**
- (52) **U.S. Cl.**
 USPC **D30/158; D4/102; D4/133; D4/134**
- (58) **Field of Classification Search**
 USPC D4/100, 101, 102, 114, 115, 116, 117, D4/118, 121, 122, 123, 127, 128, 130, D4/131, 132, 133, 134, 135, 136, 137, D4/138, 199; D24/214, 215; D28/7, 35, D28/63, 58; D32/33, 35, 41, 42, 25, 17, D32/19, 24, 40, 44, 45, 51, 52; D30/158; D23/223
- CPC A46B 5/00; A46B 5/02; A46B 7/06; A46B 7/08; A46B 7/10; A46B 9/00; A46B 9/02; A46B 9/023; A46B 9/028; A46B 13/00; A46B 11/002; A46B 11/06; A46B 11/063; A46B 13/001; A46B 3/005; A46B 13/02; A46B 2200/00; A46B 2200/10; A46B 2200/1006; A46B 2200/1013; A46B 2200/102; A46B 2200/104; A46B 2200/1093; A46B 2200/30; A46B 2200/3033; A46B 2200/304; A46B 2200/306; A46B 2200/3086; A46B 2200/40; A46B 5/0016; A46B 9/025; A46B 11/0006; A45D 29/17

See application file for complete search history.

- (56) **References Cited**
- U.S. PATENT DOCUMENTS
- | | | | | |
|-----------|------|---------|-----------------|-------------|
| 1,639,586 | A * | 8/1927 | Boucher | A46B 11/063 |
| | | | | 15/205.2 |
| 1,673,094 | A * | 6/1928 | Stack | A46B 13/06 |
| | | | | 15/188 |
| 1,676,857 | A * | 7/1928 | Cheron | A46B 11/063 |
| | | | | 15/111 |
| 3,059,259 | A * | 10/1962 | Goldfarb | A46B 9/00 |
| | | | | 119/628 |
| D315,251 | S * | 3/1991 | Clivio | D4/102 |
| D452,044 | S * | 12/2001 | Goetschi | D28/20 |
| D460,581 | S * | 7/2002 | Angeletta | D28/7 |
| D485,990 | S * | 2/2004 | Wallace | D4/115 |
| D514,328 | S * | 2/2006 | Huang | D24/211 |
| D524,056 | S * | 7/2006 | Tapp | D4/120 |
| D608,097 | S * | 1/2010 | Zanjani | D4/114 |
| D690,116 | S * | 9/2013 | Zemel | D4/118 |
| D727,032 | S * | 4/2015 | Davis | D30/158 |
| D746,062 | S * | 12/2015 | Pan | D4/127 |
| 9,282,804 | B2 * | 3/2016 | Simonian | A45D 40/265 |
| D753,404 | S * | 4/2016 | Zemel | D4/138 |

(Continued)

Primary Examiner — Karen E Eldridge Powers
(74) Attorney, Agent, or Firm — Justin Lampel

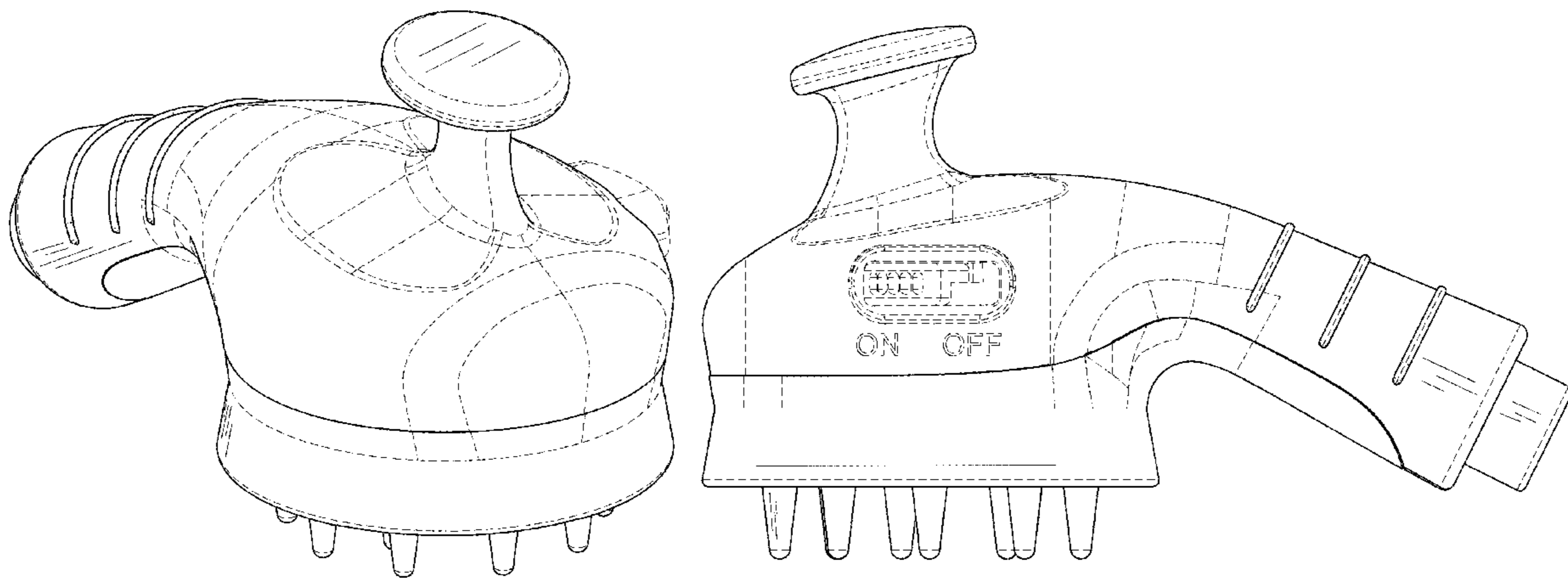
- (57) **CLAIM**
 The ornamental design for pet bath massage brush, as shown and described.

DESCRIPTION

FIG. 1 is a perspective view of a pet bath massage brush showing my new design;
 FIG. 2 is a front elevational view thereof;
 FIG. 3 is a rear elevational view thereof;
 FIG. 4 is an enlarged right side elevation view thereof;
 FIG. 5 is an enlarged left side elevation view thereof;
 FIG. 6 is a bottom plan view thereof; and,
 FIG. 7 is a top plan view thereof.

The features shown in broken lines illustrate environmental structure and form no part of the claimed design.

1 Claim, 7 Drawing Sheets



(56)

References Cited

U.S. PATENT DOCUMENTS

9,339,104	B2 *	5/2016	O'Neill	A46B 5/0075
D765,990	S *	9/2016	Kim	D4/116
10,016,868	B2 *	7/2018	Sheldon	B23Q 11/0071
D825,771	S *	8/2018	Park	D24/215
2002/0116758	A1 *	8/2002	Ito	A45D 19/02 4/615
2017/0049076	A1 *	2/2017	Takla	A01K 13/001
2018/0368363	A1 *	12/2018	Johnson	A01K 13/001

* cited by examiner

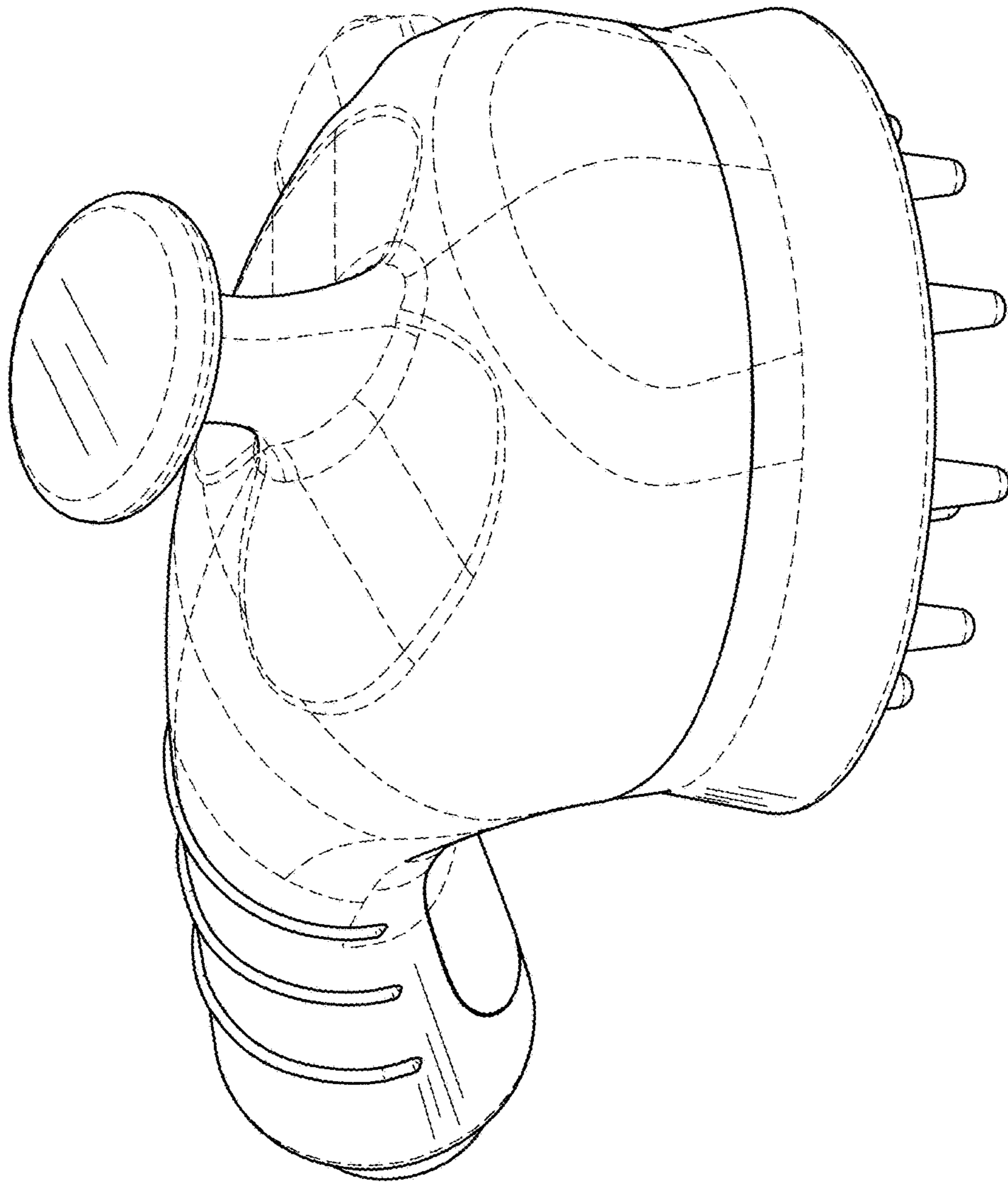


FIG. 1

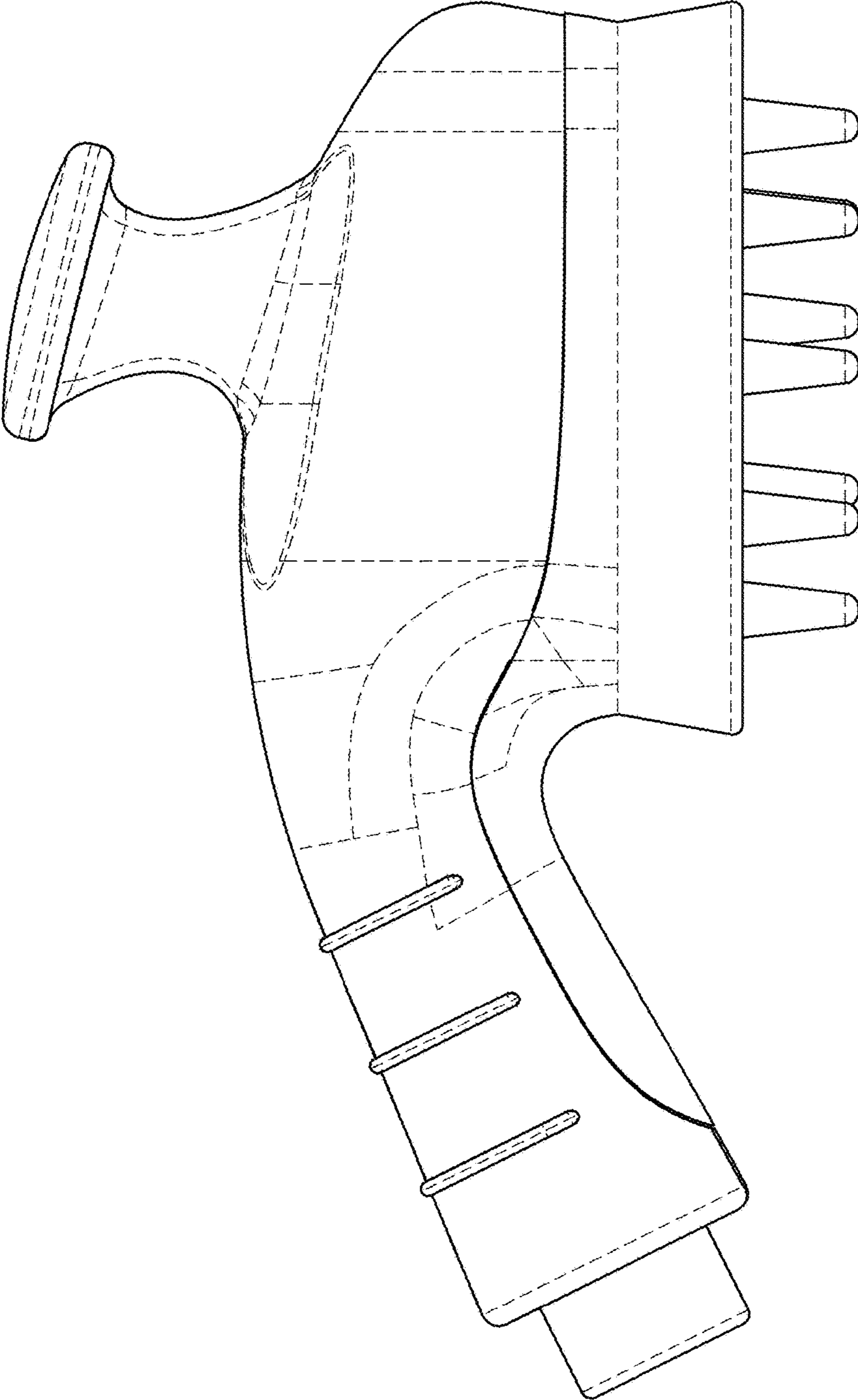


FIG. 2

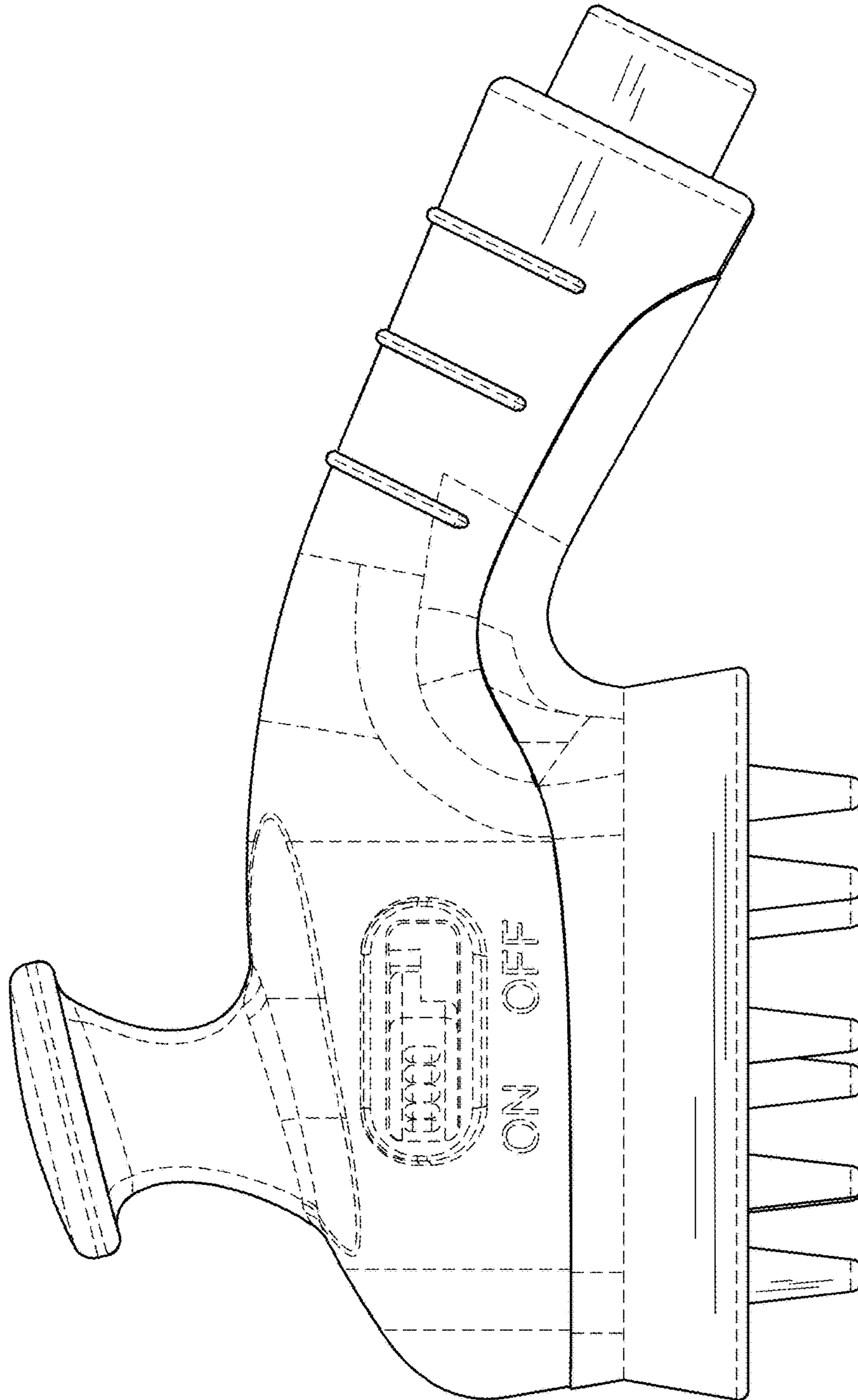


FIG. 3

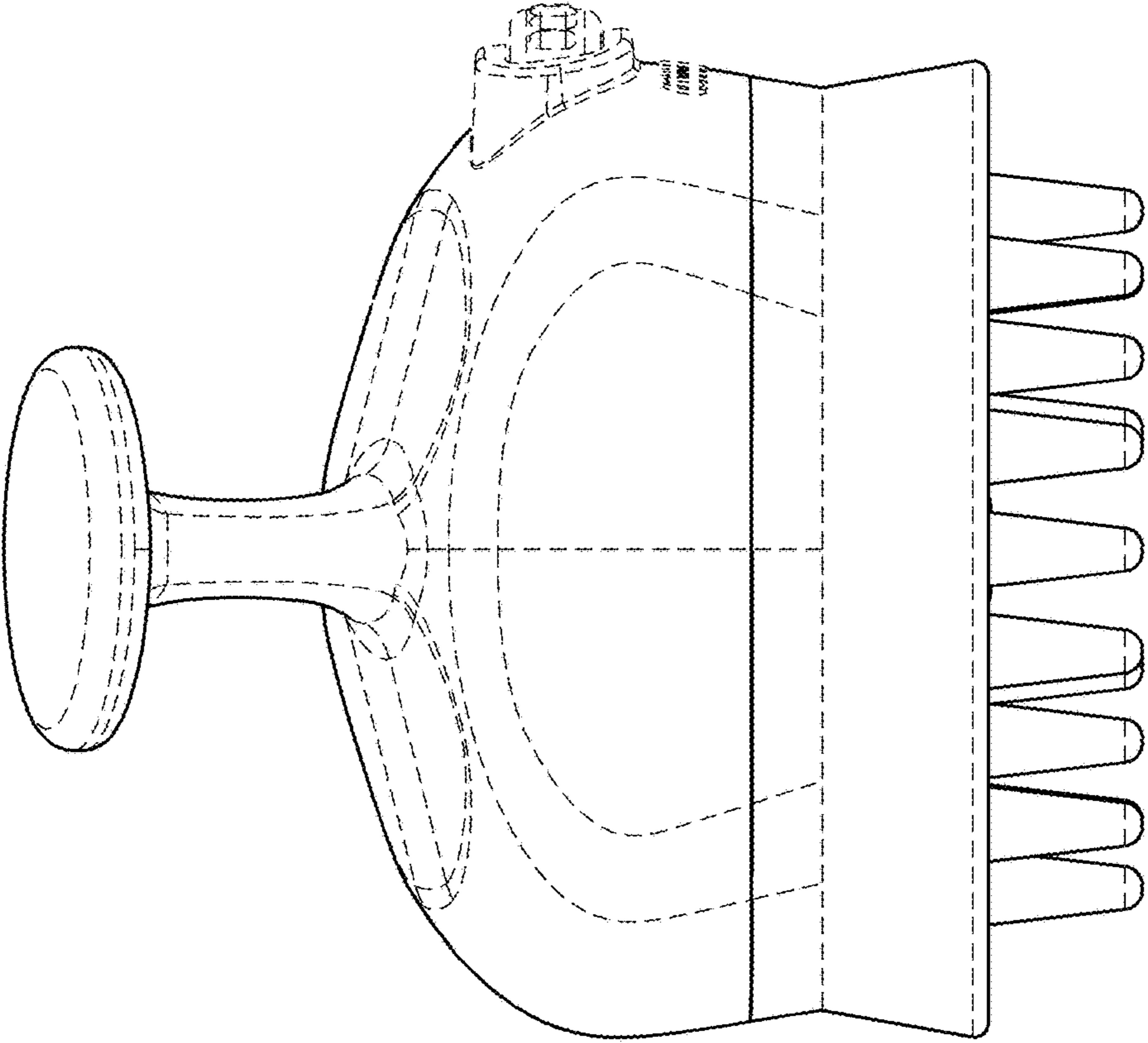


FIG. 4

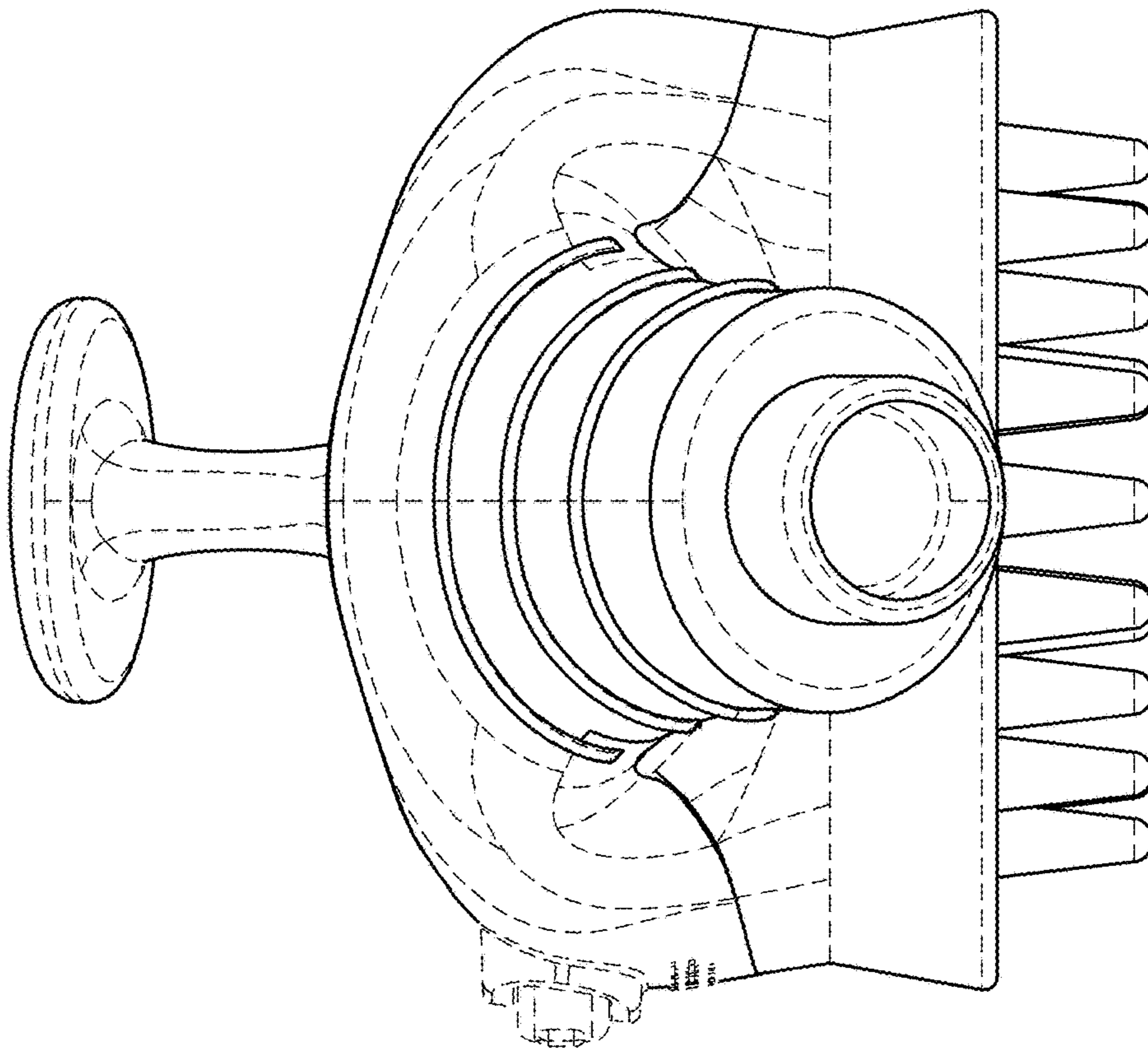


FIG. 5

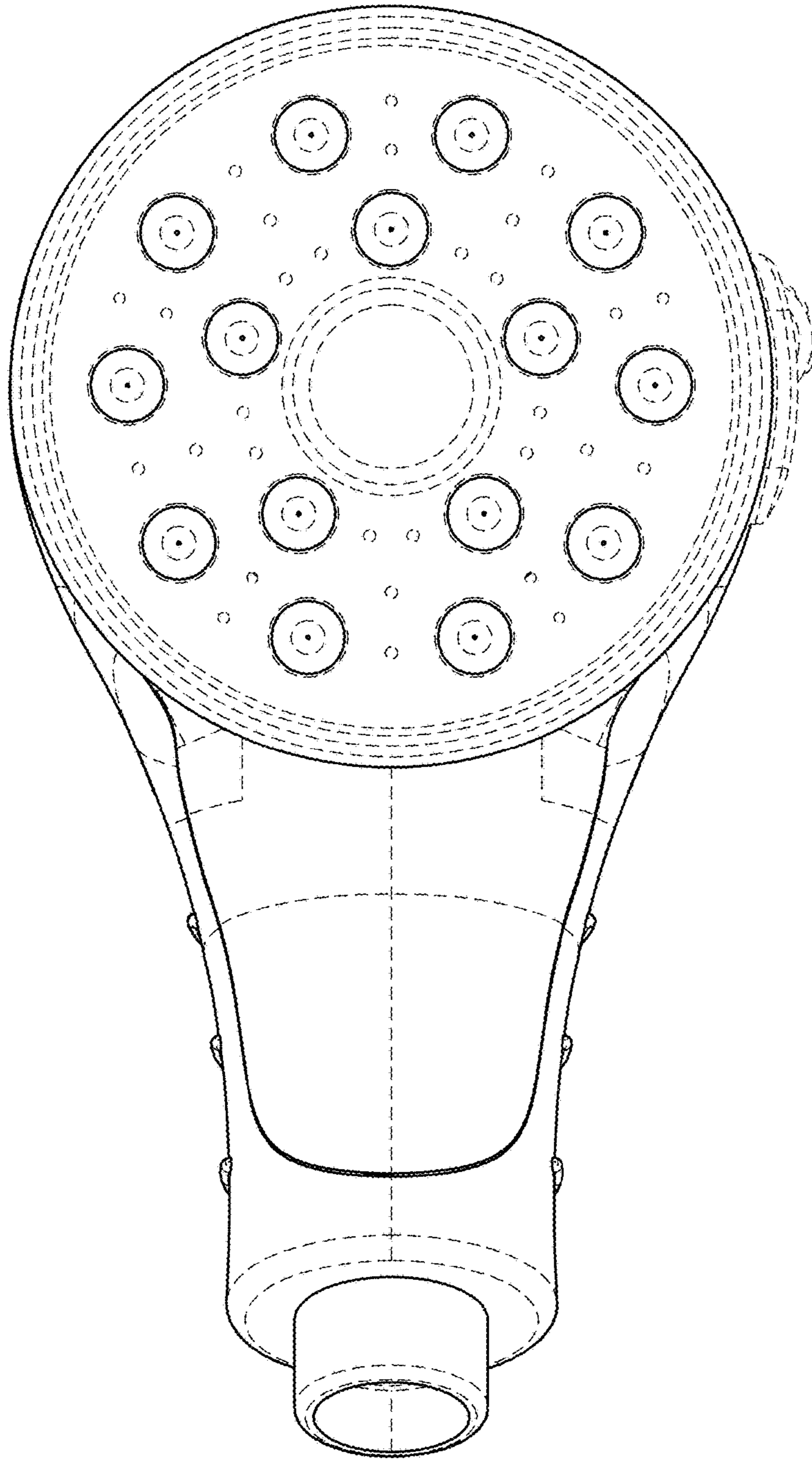


FIG. 6

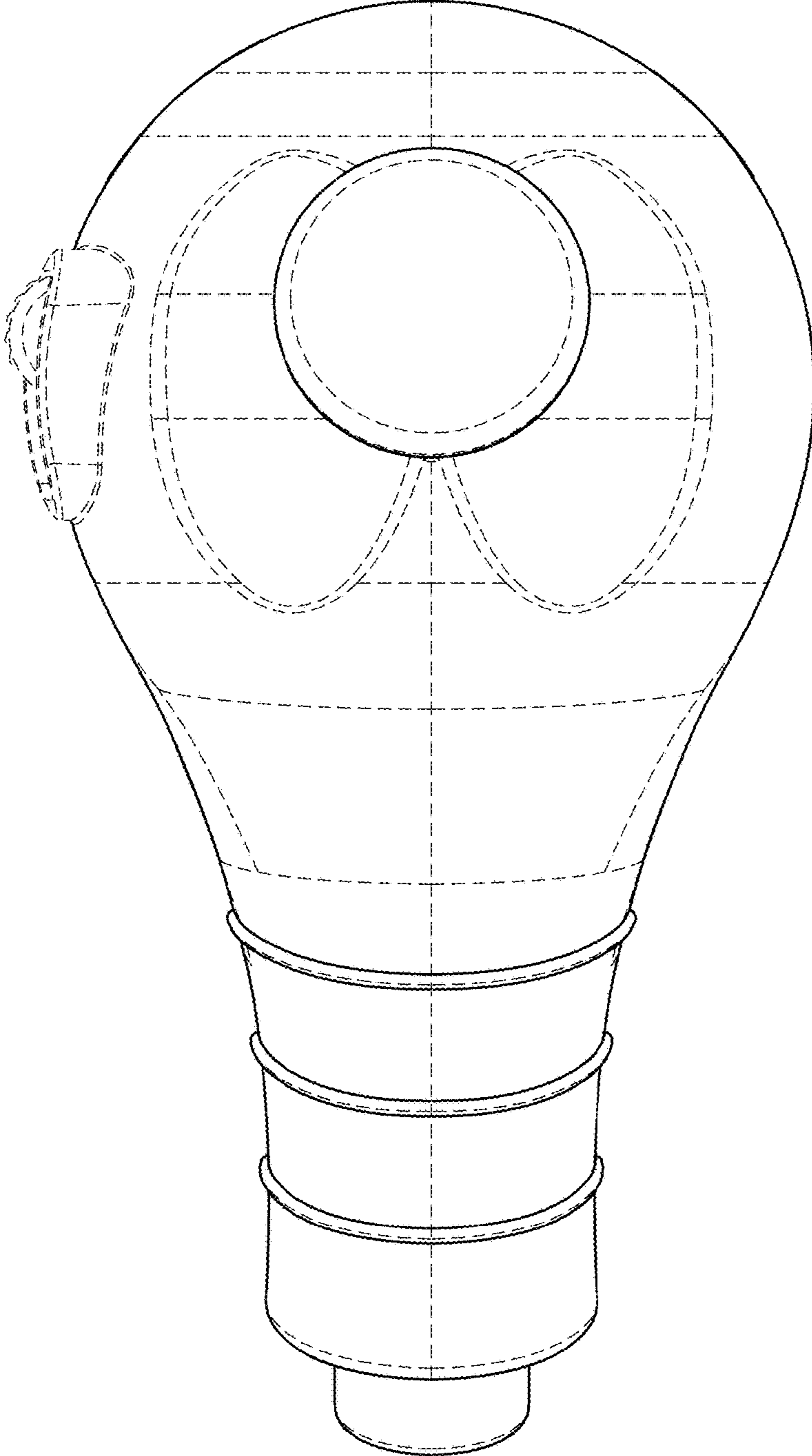


FIG. 7