



US00D866085S

(12) **United States Design Patent** (10) **Patent No.:** **US D866,085 S**
Lou (45) **Date of Patent:** **** Nov. 5, 2019**

(54) **PET ADJUSTABLE SLING CARRIER**

(71) Applicant: **Mengjie Lou**, Hangzhou (CN)

(72) Inventor: **Mengjie Lou**, Hangzhou (CN)

(**) Term: **15 Years**

(21) Appl. No.: **29/691,041**

(22) Filed: **May 14, 2019**

(51) **LOC (12) Cl.** **30-02**

(52) **U.S. Cl.**

USPC **D30/108**

(58) **Field of Classification Search**

USPC D30/108-120; D3/201, 203.1, 203.6,
D3/203.7, 213, 216, 217, 235, 242, 243,
D3/245-246, 273, 276, 269, 271.2, 274,
D3/283, 289-290, 301, 303, 900, 902,
D3/904

CPC ... A01K 1/00; A01K 1/01; A01K 1/02; A01K
1/03; A01K 31/00; A01K 31/06; A01K
31/07; A01K 31/08; A01K 31/14; A01K
31/18; A01K 5/00; A01K 29/00; A47K
11/02; A45C 3/00; A45C 3/06; A45C
2003/008; A45C 2003/007; A45F 3/00;
A45F 3/04; A45F 3/02

See application file for complete search history.

(56) **References Cited**

U.S. PATENT DOCUMENTS

D315,825 S * 4/1991 Hutton D3/217
D363,599 S * 10/1995 Gaffin D3/245
D425,698 S * 5/2000 Paul D3/216
D703,946 S * 5/2014 Tweedie D3/216
D841,317 S * 2/2019 Botha D3/217

OTHER PUBLICATIONS

“TOMKAS Small Dog Cat Carrier Sling Hands Free Pet Puppy Outdoor Travel Bag Tote Reversible”, Retrieved May 13, 2019]. Retrieved from Internet, https://www.amazon.com/TOMKAS-Carrier-Adjustable-Reversible-Adjustable/dp/B077QHRSV8/ref=sr_1_4?

keywords=PET+ADJUSTABLE+SLING+CARRIER&qid=1557713371&s=gateway&sr=8-4.

“U-pick Pet Sling Carrier Bag—Reversible Hand-Free Travel Bag for Small&Medium Dog with Adjustable&Safety Strap”, Retrieved May 13, 2019]. Retrieved from Internet, https://www.amazon.com/U-pick-Pet-Sling-Carrier-Bag/dp/B07MYTT44K/ref=sr_1_7?keywords=PET+ADJUSTABLE+SLING+CARRIER&qid=1557713371&s=gateway&sr=8-6.

“Dog Sling Pet Carriers, Hands free Waterproof Lightweight Shoulder Carrier Bag with Dog Leash Pocket and Adjustable Lengthened Strap for Small Medium Cat/Puppy/Rabbit up to 16lb Outdoor Travel”, Retrieved May 13, 2019]. Retrieved from Internet, https://www.amazon.com/Carriers-Waterproof-Lightweight-Adjustable-Lengthened/dp/B07GBWNFFV/ref=sr_1_20_sspa?keywords=PET+ADJUSTABLE+SLING+CARRIER&qid=1557713371&gateway&sr=8-20-spons&psc=1.

“AOFOOK Dog Cat Sling Carrier, Adjustable Padded Shoulder Strap, with Zipper Pocket for Outdoor Travel”, Retrieved May 13, 2019]. Retrieved from Internet, https://www.amazon.com/AOFOOK-Adjustable-Waterproof-Shoulder-Adjustment/dp/B07N7VTKQC/ref=sr_1_7?keywords=PET+ADJUSTABLE+SLING+CARRIER&qid=1557713371&s=gateway&sr=8-7.

* cited by examiner

Primary Examiner — Sheryl Lane
Assistant Examiner — Aula Soroush

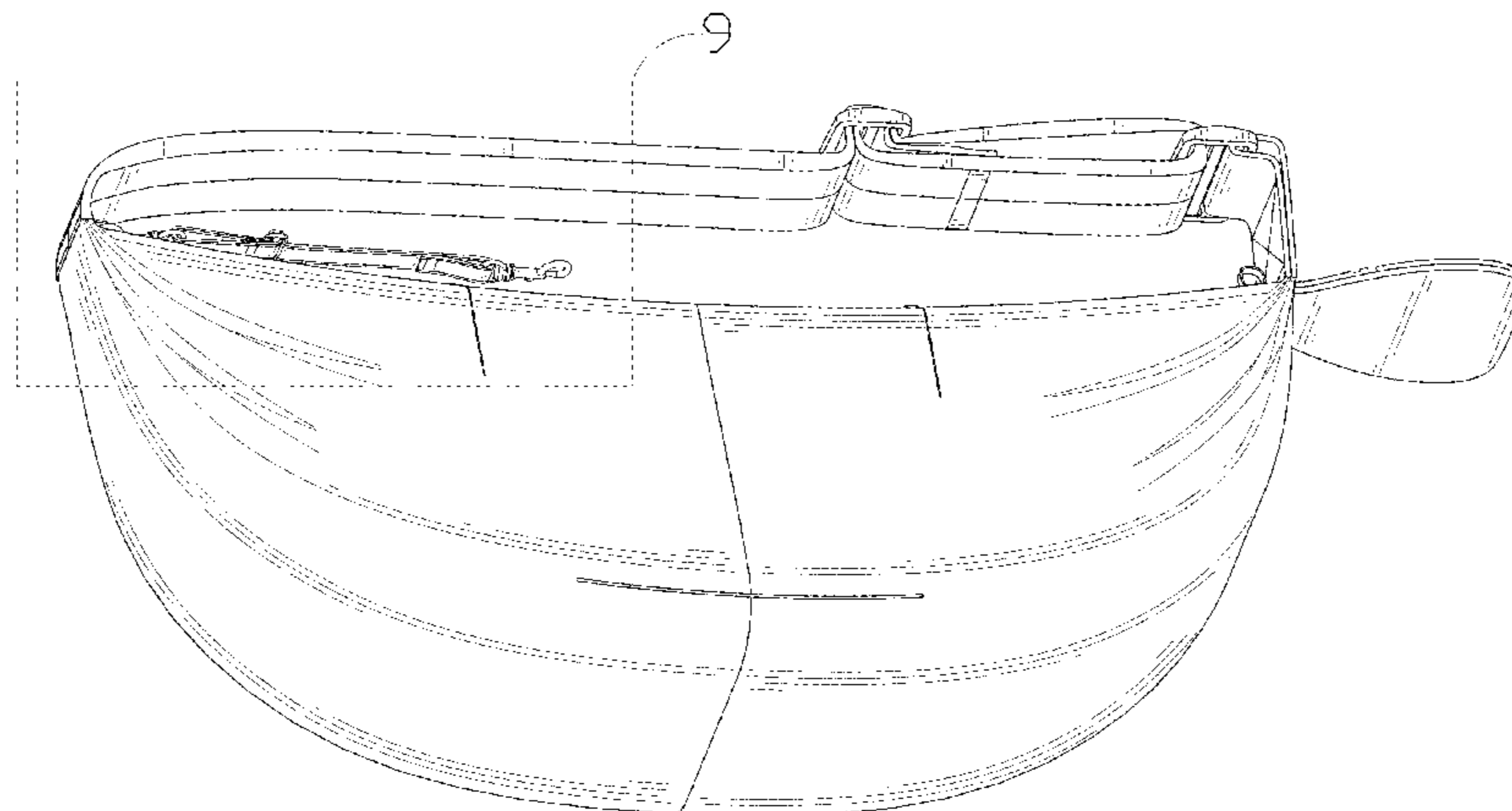
(57) **CLAIM**

The ornamental design for a pet adjustable sling carrier, as shown and described.

DESCRIPTION

FIG. 1 is a perspective view of a pet adjustable sling carrier showing my new design;
FIG. 2 is another perspective view thereof;
FIG. 3 is a front elevational view thereof;
FIG. 4 is a rear elevational view thereof;
FIG. 5 is a left side elevational view thereof;
FIG. 6 is a right side elevational view thereof;
FIG. 7 is a top plan view thereof;
FIG. 8 is a bottom plan view thereof;
FIG. 9 is an enlarged view of portion 9 shown in FIG. 1; and,
FIG. 10 is an enlarged view of portion 10 shown in FIG. 2.

(Continued)



The broken lines in the drawings depict portions of the pet adjustable sling carrier that form no part of the claimed design.

1 Claim, 10 Drawing Sheets

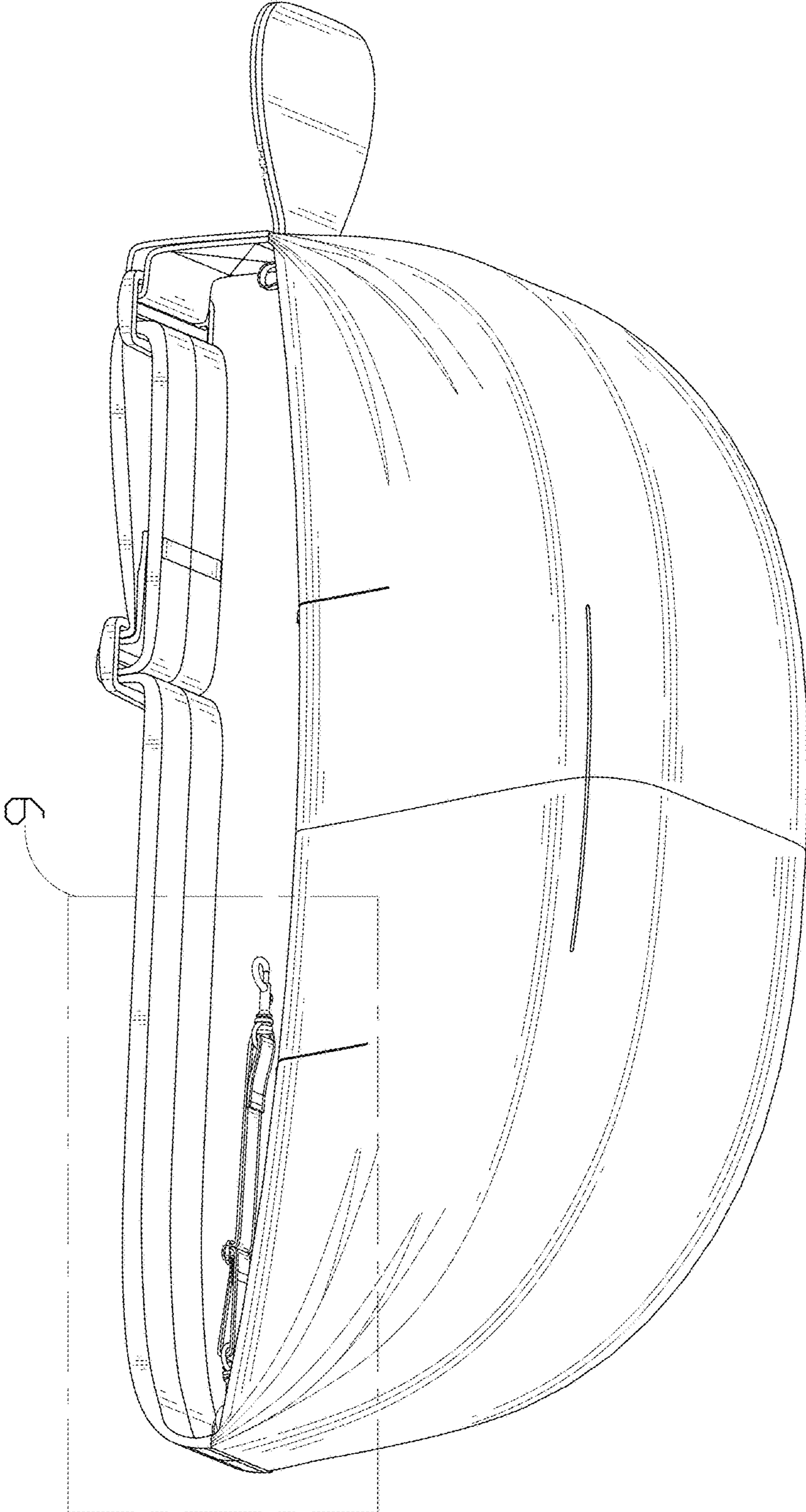


FIG. 1

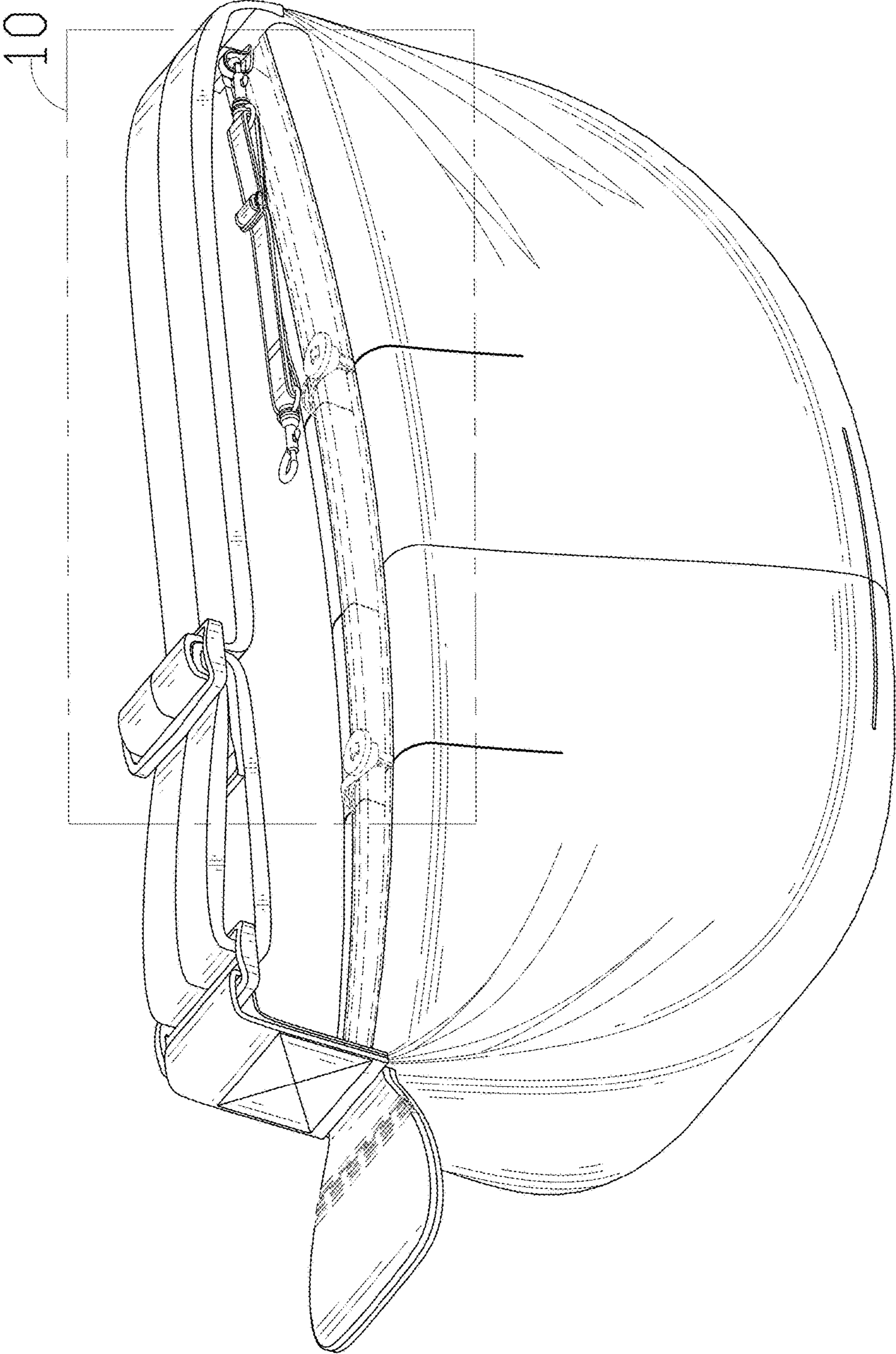


FIG. 2

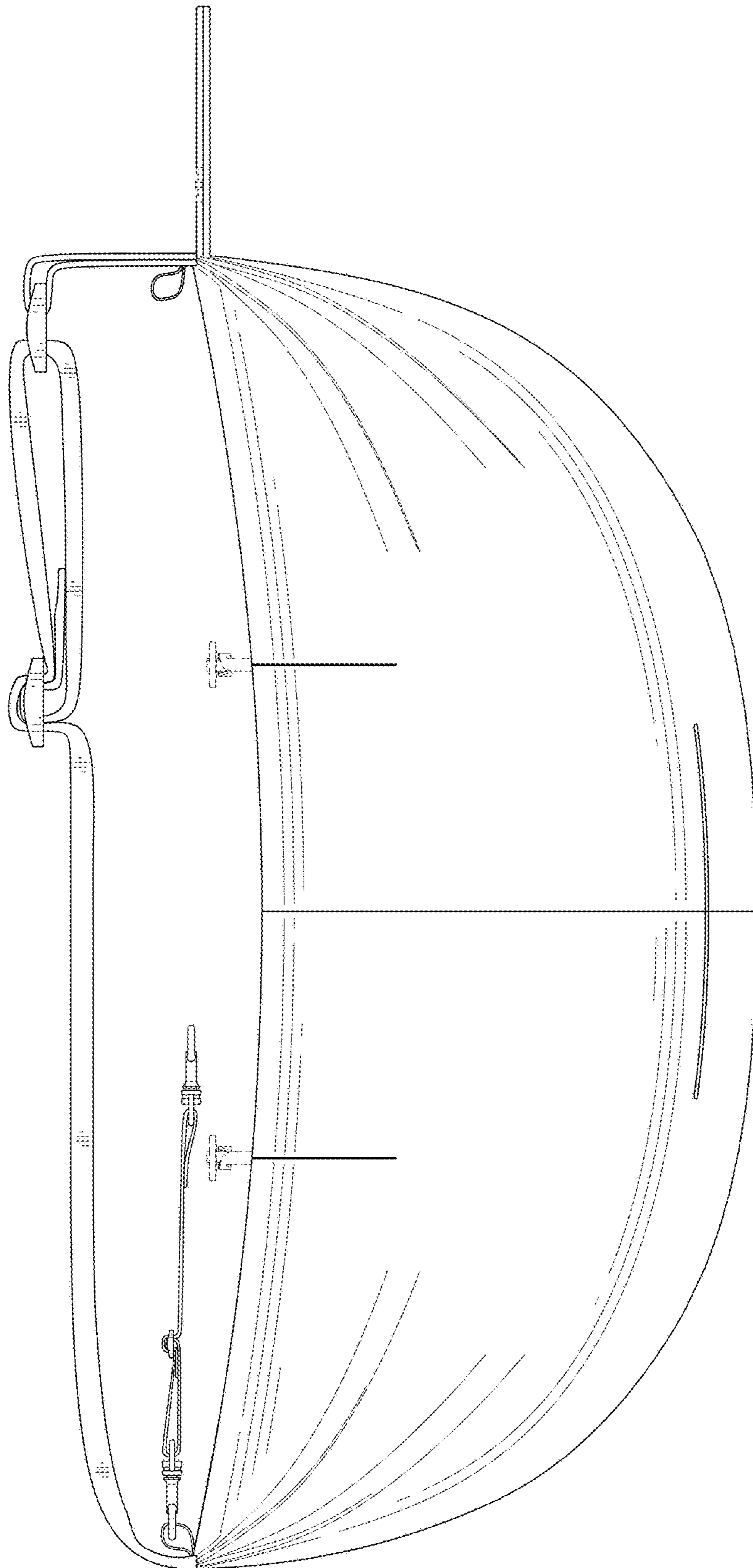


FIG. 3

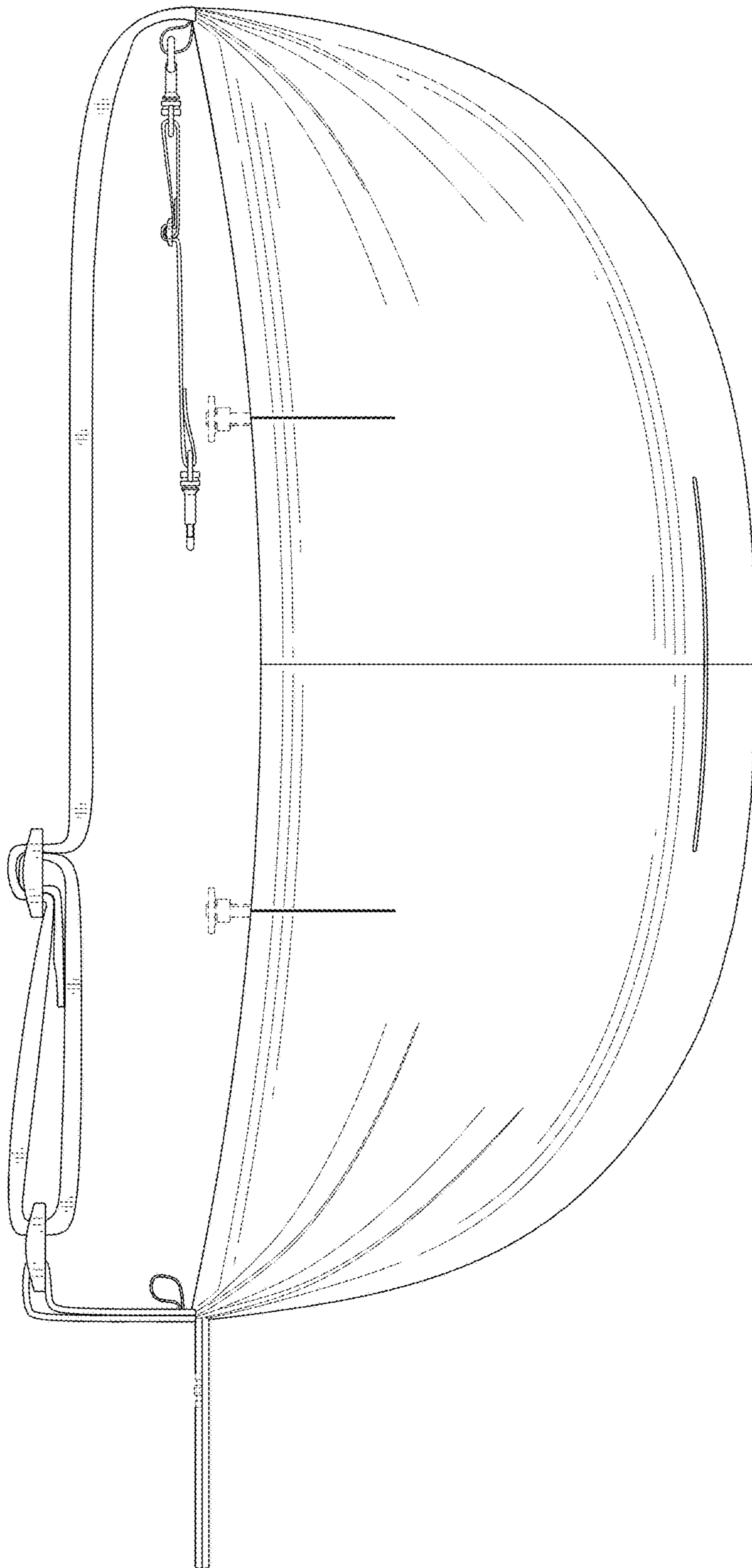


FIG. 4

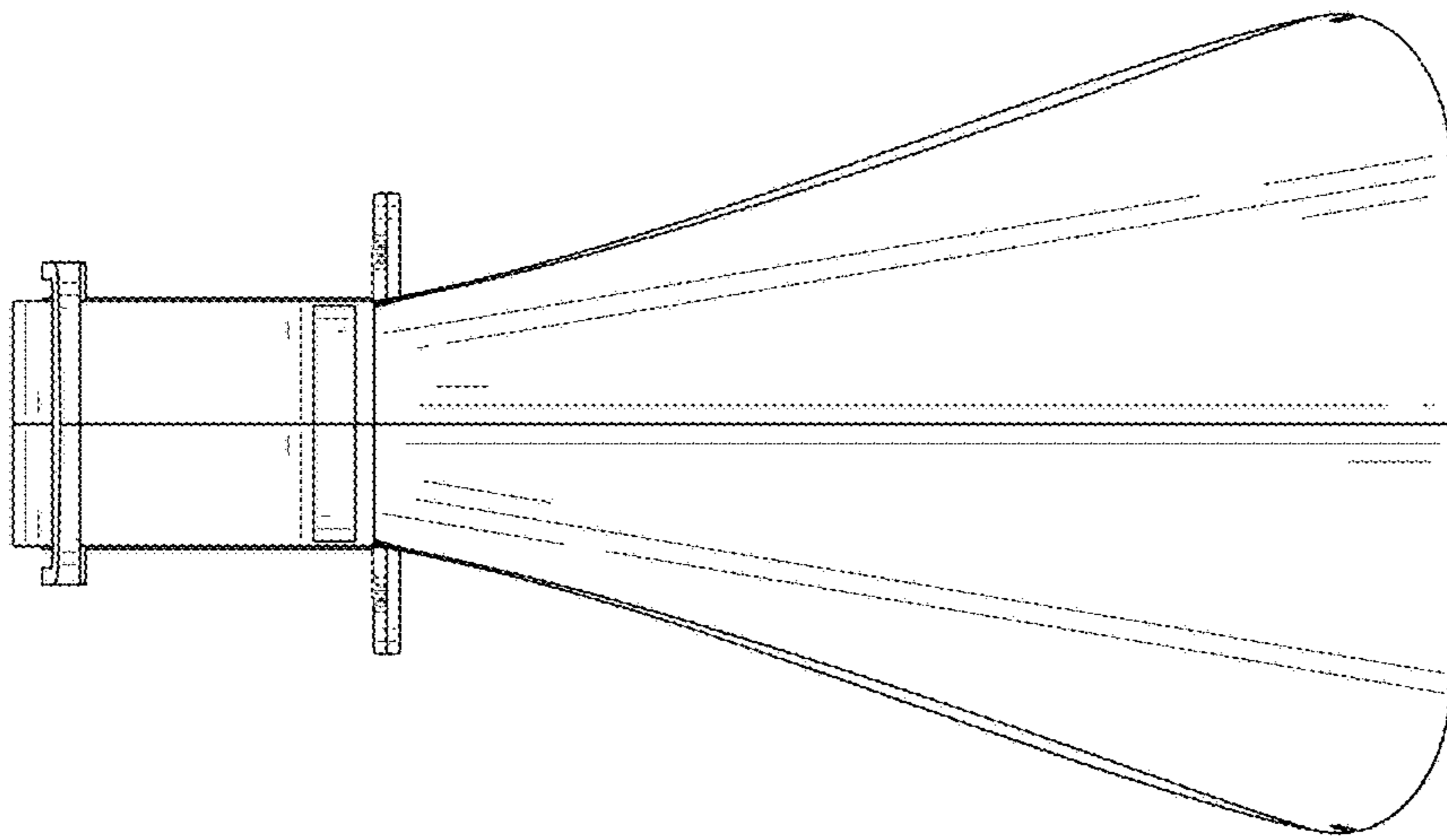


FIG. 5

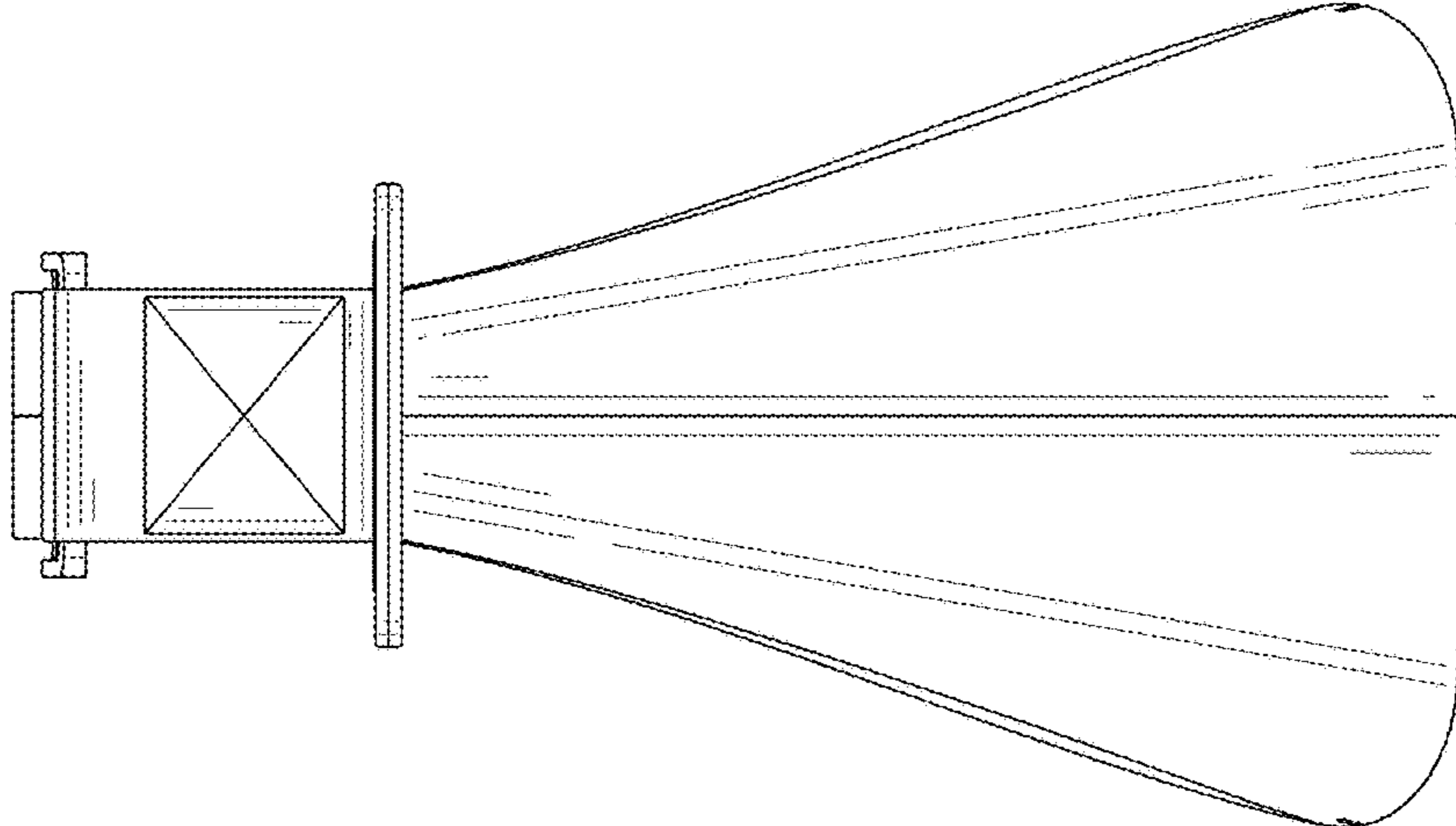


FIG. 6

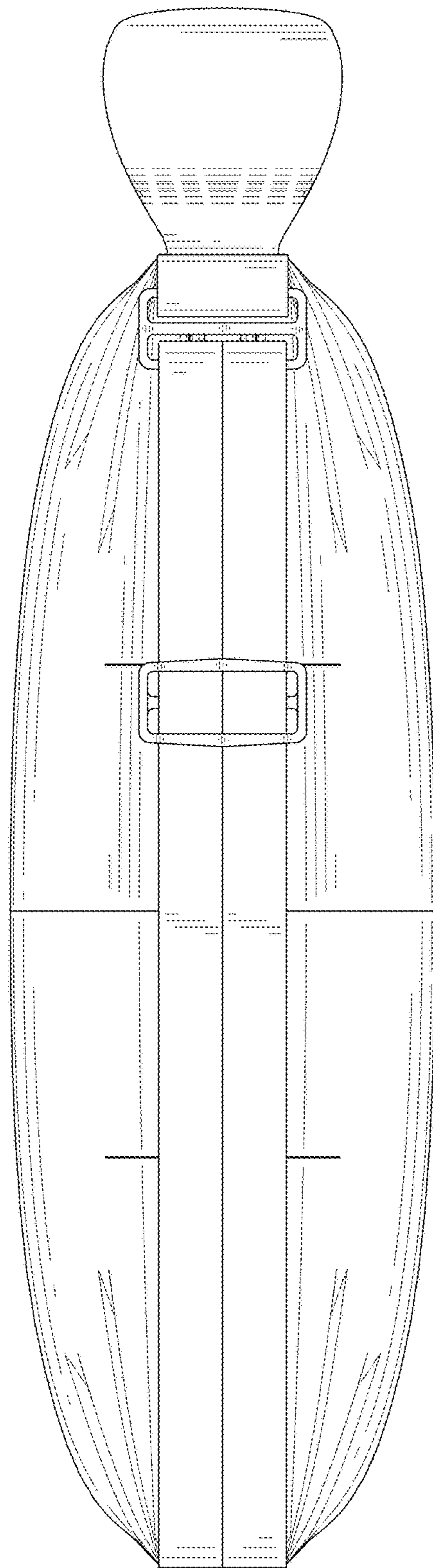


FIG. 7

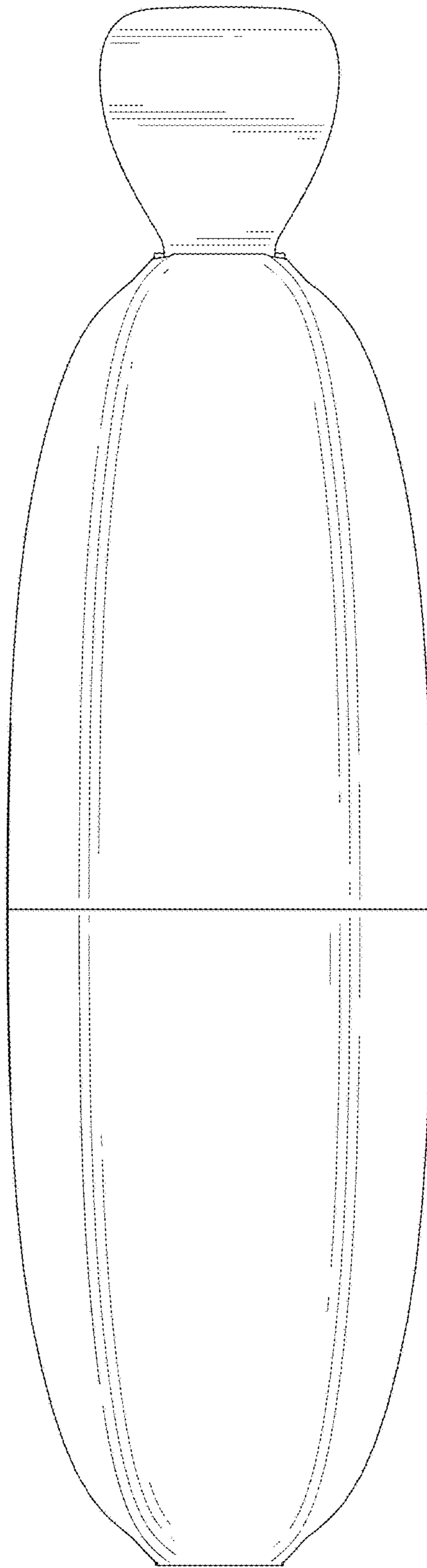


FIG. 8

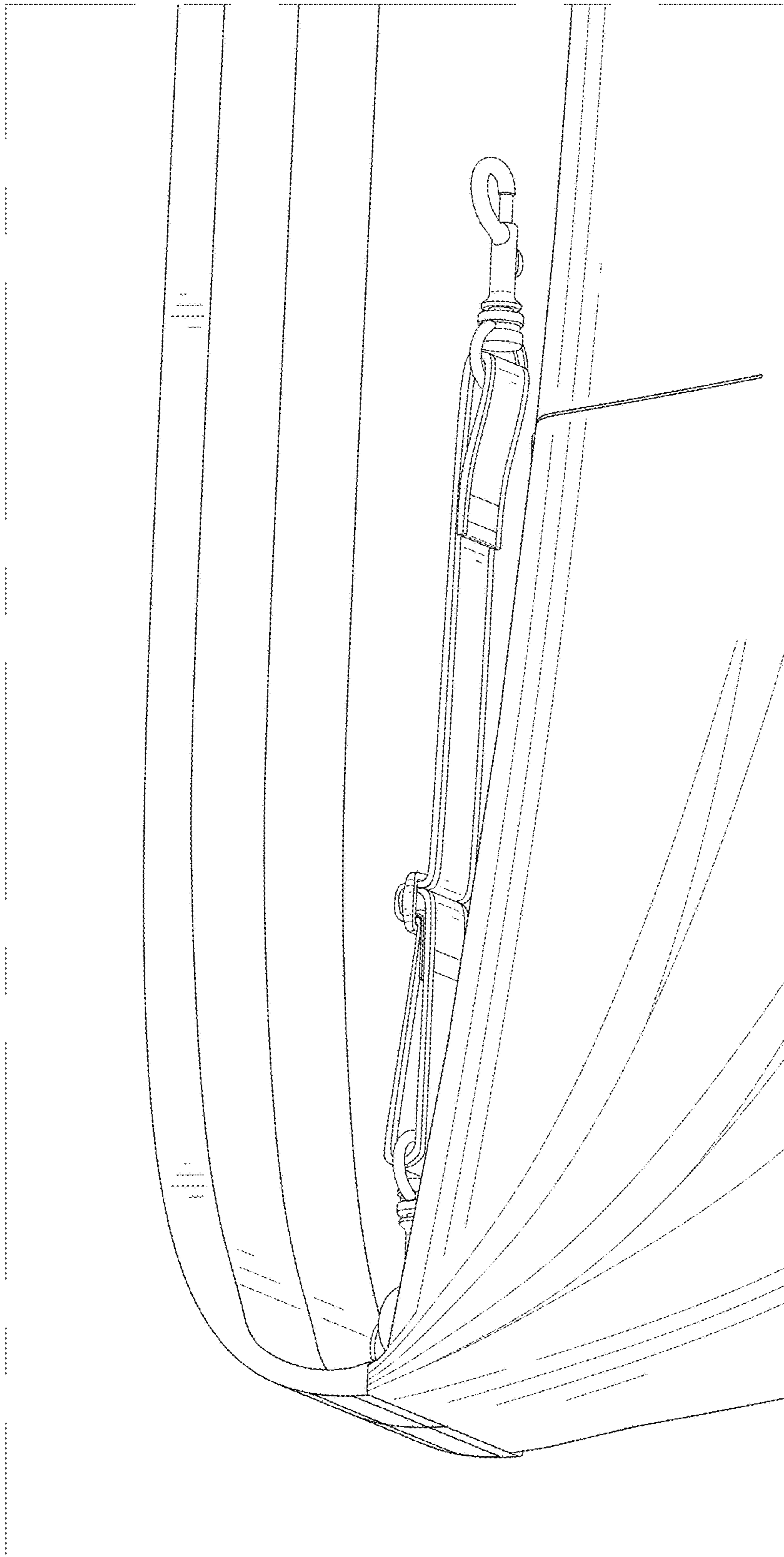


FIG. 9

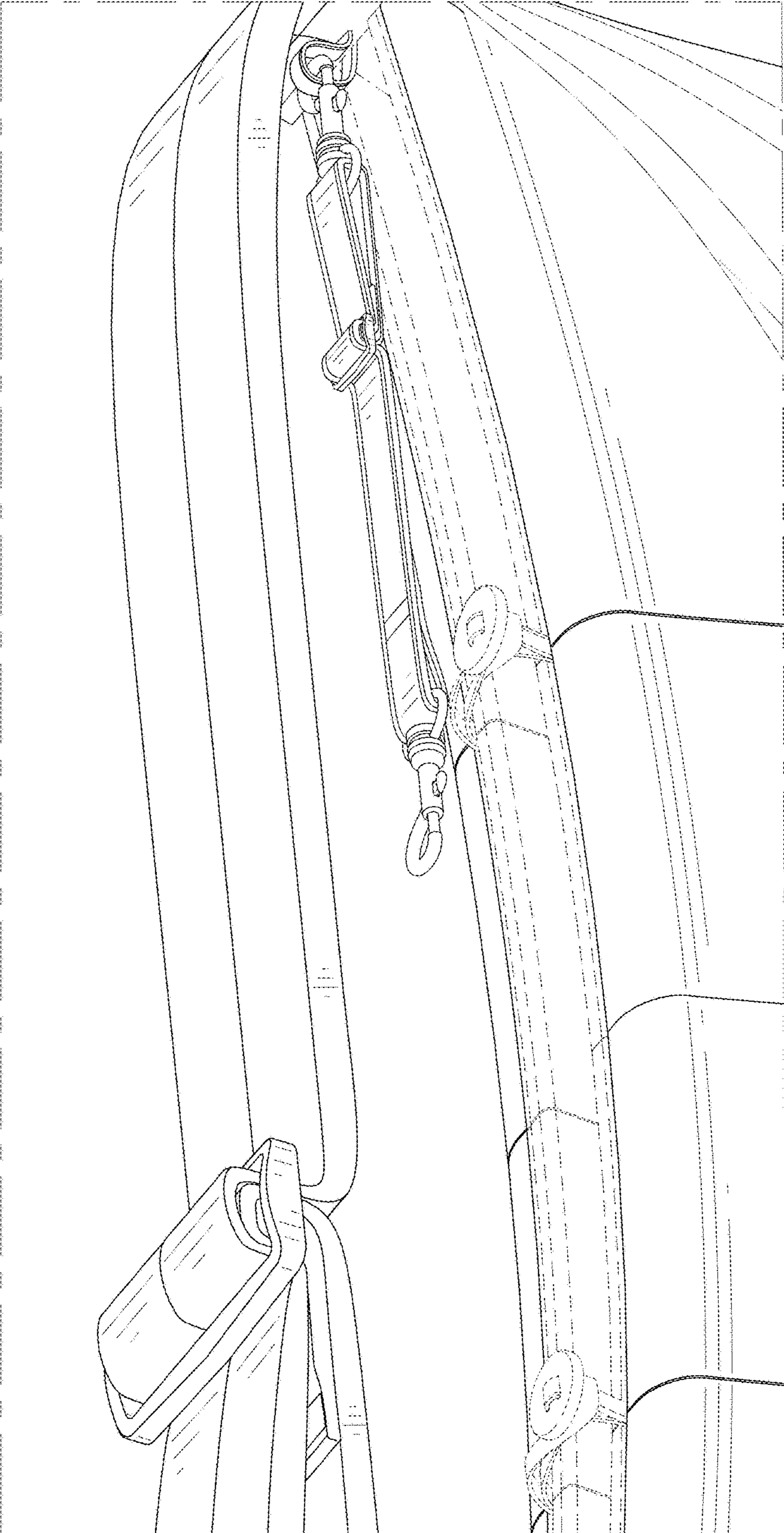


FIG. 10