



US00D866083S

(12) **United States Design Patent** (10) **Patent No.:** **US D866,083 S**
Sellers (45) **Date of Patent:** **** Nov. 5, 2019**

(54) **REMOVAL DEVICE FOR FOOD CONTAINER FROM A MICROWAVE OVEN**

(71) Applicant: **Kathleen R. Sellers**, Delray Beach, FL (US)

(72) Inventor: **Kathleen R. Sellers**, Delray Beach, FL (US)

(**) Term: **15 Years**

(21) Appl. No.: **29/611,004**

(22) Filed: **Jul. 18, 2017**

(51) **LOC (12) Cl.** **06-13**

(52) **U.S. Cl.**
USPC **D29/119**

(58) **Field of Classification Search**
USPC D29/113, 117.2, 119; D2/617
CPC C10B 57/06
See application file for complete search history.

(56) **References Cited**

U.S. PATENT DOCUMENTS

D281,763 S	*	12/1985	Smith	D8/359
D372,514 S	*	8/1996	Kaneko	D22/137
D372,758 S	*	8/1996	Kaneko	D22/137
D377,386 S	*	1/1997	Yamaguchi	D22/141
D608,852 S	*	1/2010	Armenteros Mendoza	D22/137
D654,981 S	*	2/2012	Hafner	D22/137
D699,965 S	*	2/2014	Costello	D6/515
D740,107 S	*	10/2015	Armani	D8/358
D769,087 S	*	10/2016	Alliss	D8/8
D775,710 S	*	1/2017	Kim	D22/137
D778,400 S	*	2/2017	Kim	D22/137
D814,893 S	*	4/2018	Alliss	D8/8

OTHER PUBLICATIONS

Pitto Microwave Mitt, posted on amazon.com, posting date Sep. 4, 2014, [online], [site visited Jul. 26, 2018]. Available from Internet, URL: <https://www.amazon.com/Pitto-Microwave-Mitt-Opener-Blue/dp/B00O2L27CW> (Year: 2014).*

Safe Grabs, posted on amazon.com, posting date Sep. 24, 2016, [online], [site visited Jul. 26, 2018]. Available from Internet, URL: <https://www.amazon.com/Safe-Grabs-Seen-Shark-Tank/dp/B01M176IQ2> (Year: 2016).*

* cited by examiner

Primary Examiner — George D. Kirschbaum

Assistant Examiner — Maria J Edwards

(74) *Attorney, Agent, or Firm* — Malin Haley DiMaggio & Bowen, P.A.

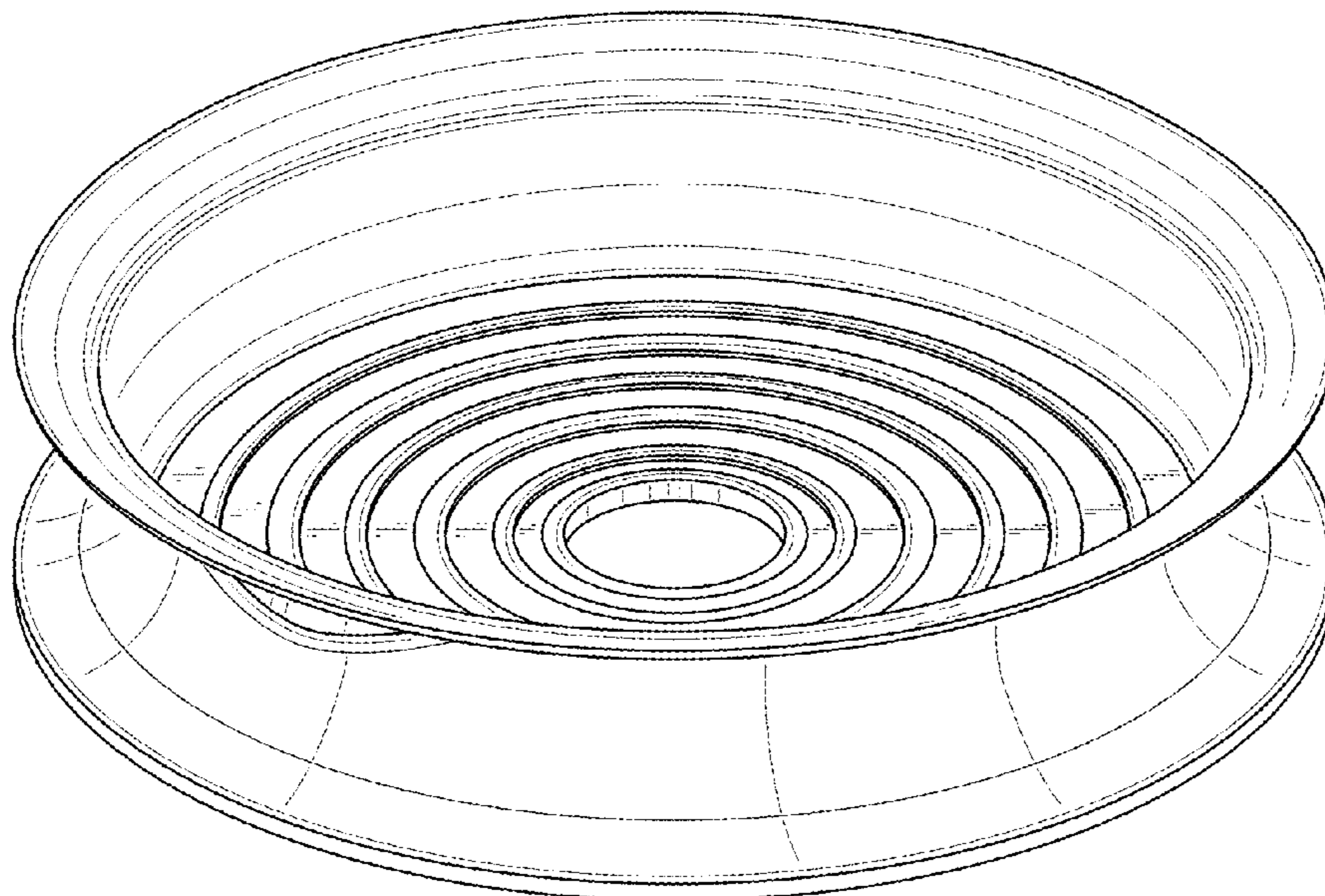
(57) **CLAIM**

The ornamental design for a removal device for a food container from a microwave oven, as shown and described.

DESCRIPTION

FIG. 1 is a top perspective view of the present invention, showing the removal device for a food container from a microwave oven of the new design; FIG. 2 is a front elevational view thereof; FIG. 3 is a back elevational view thereof; FIG. 4 is a left side elevational view thereof; FIG. 5 is a right side elevational view thereof; FIG. 6 is a top plan view thereof; FIG. 7 is a bottom plan view thereof; and, FIG. 8 is a bottom perspective view thereof.

1 Claim, 8 Drawing Sheets



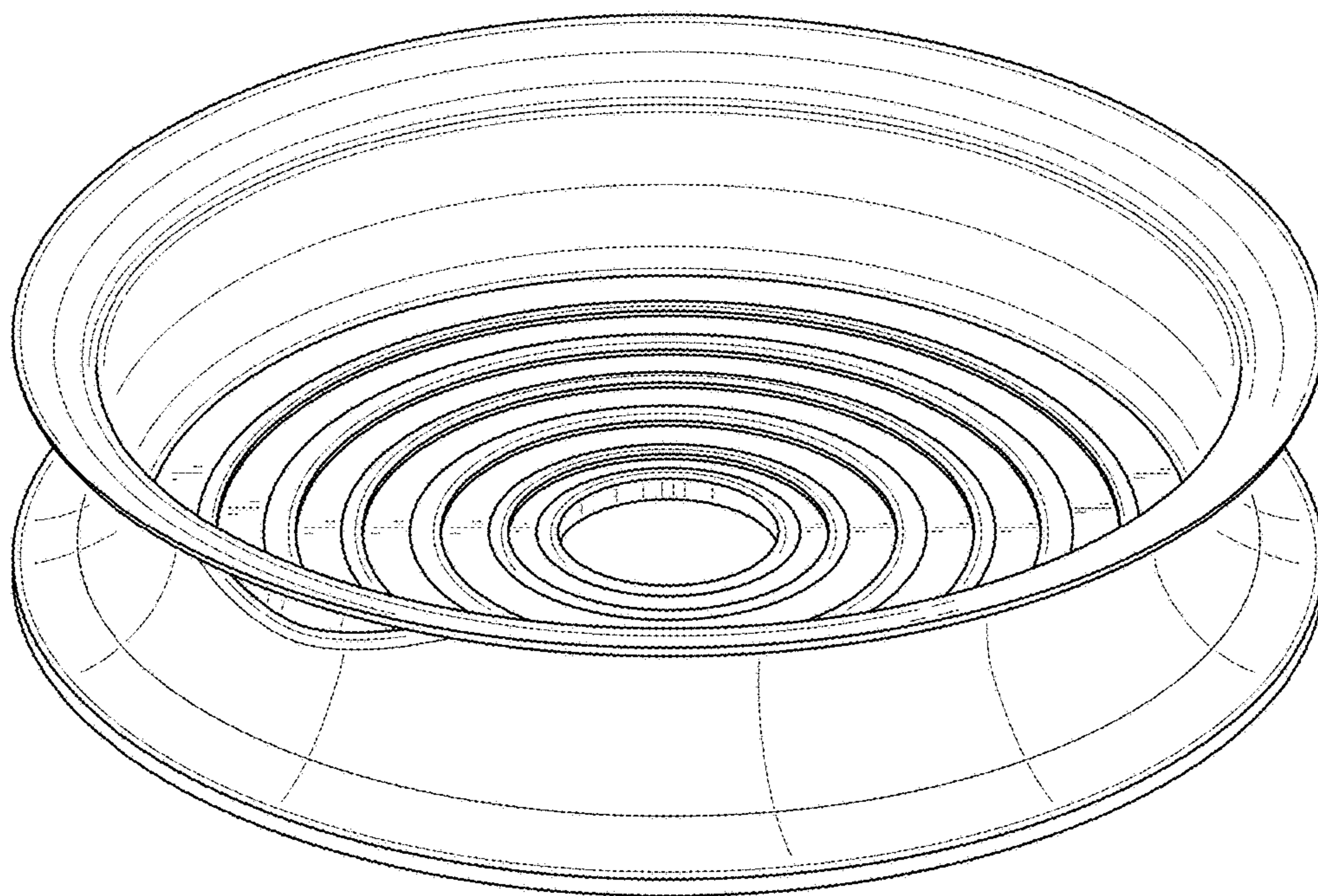


FIG. 1

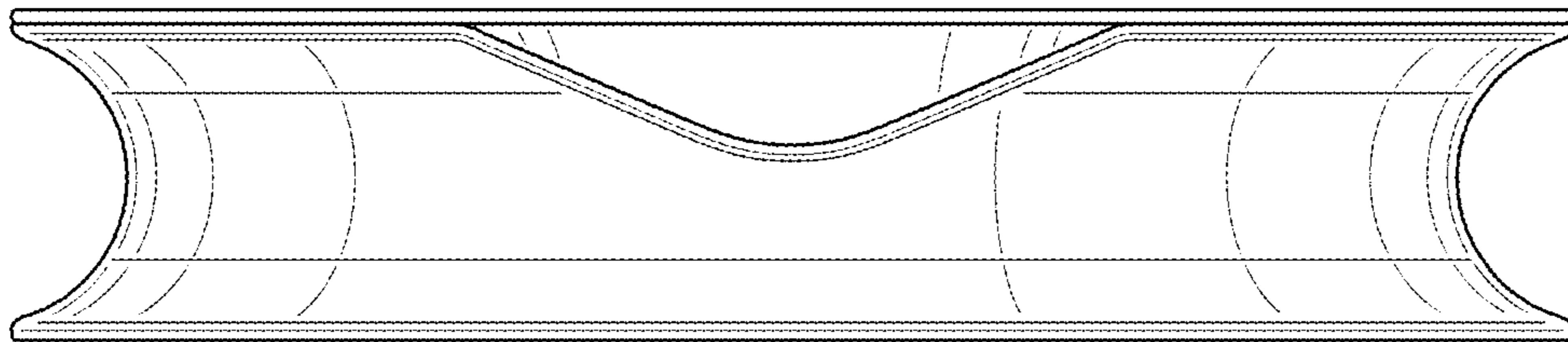


FIG. 2

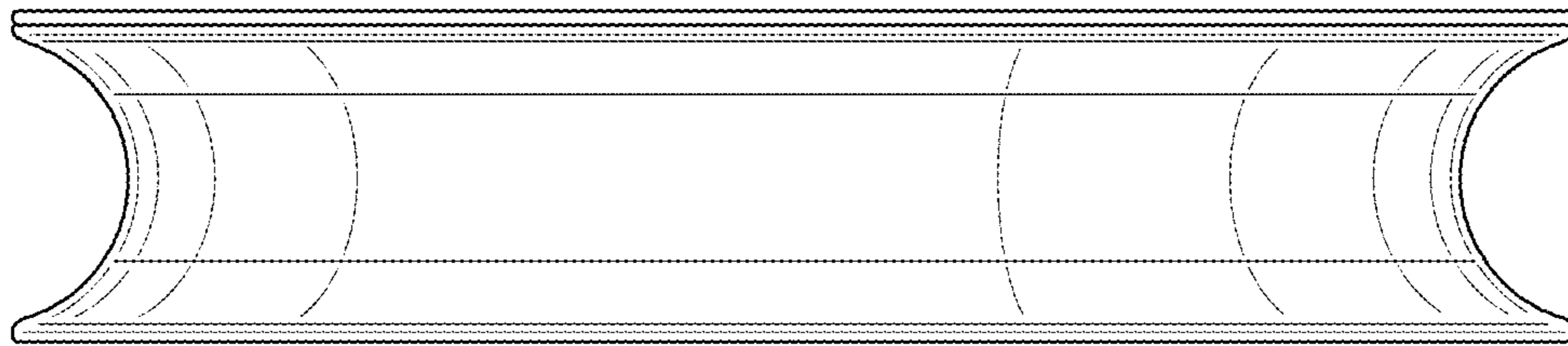


FIG. 3

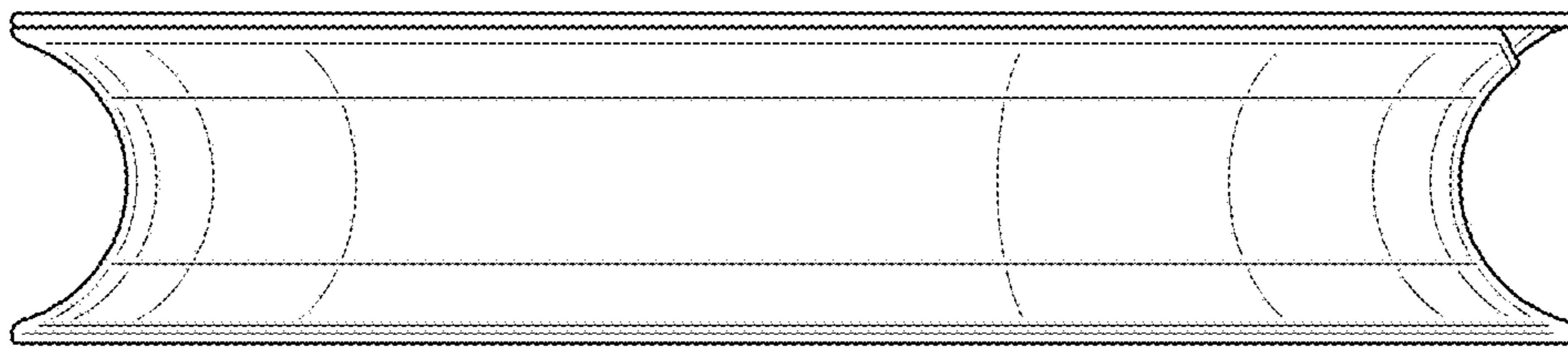


FIG. 4

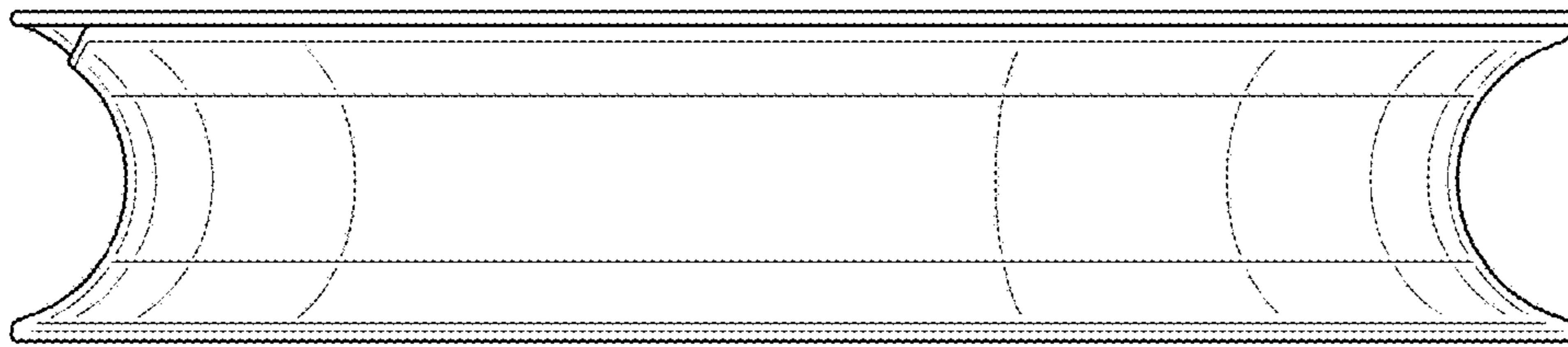


FIG. 5

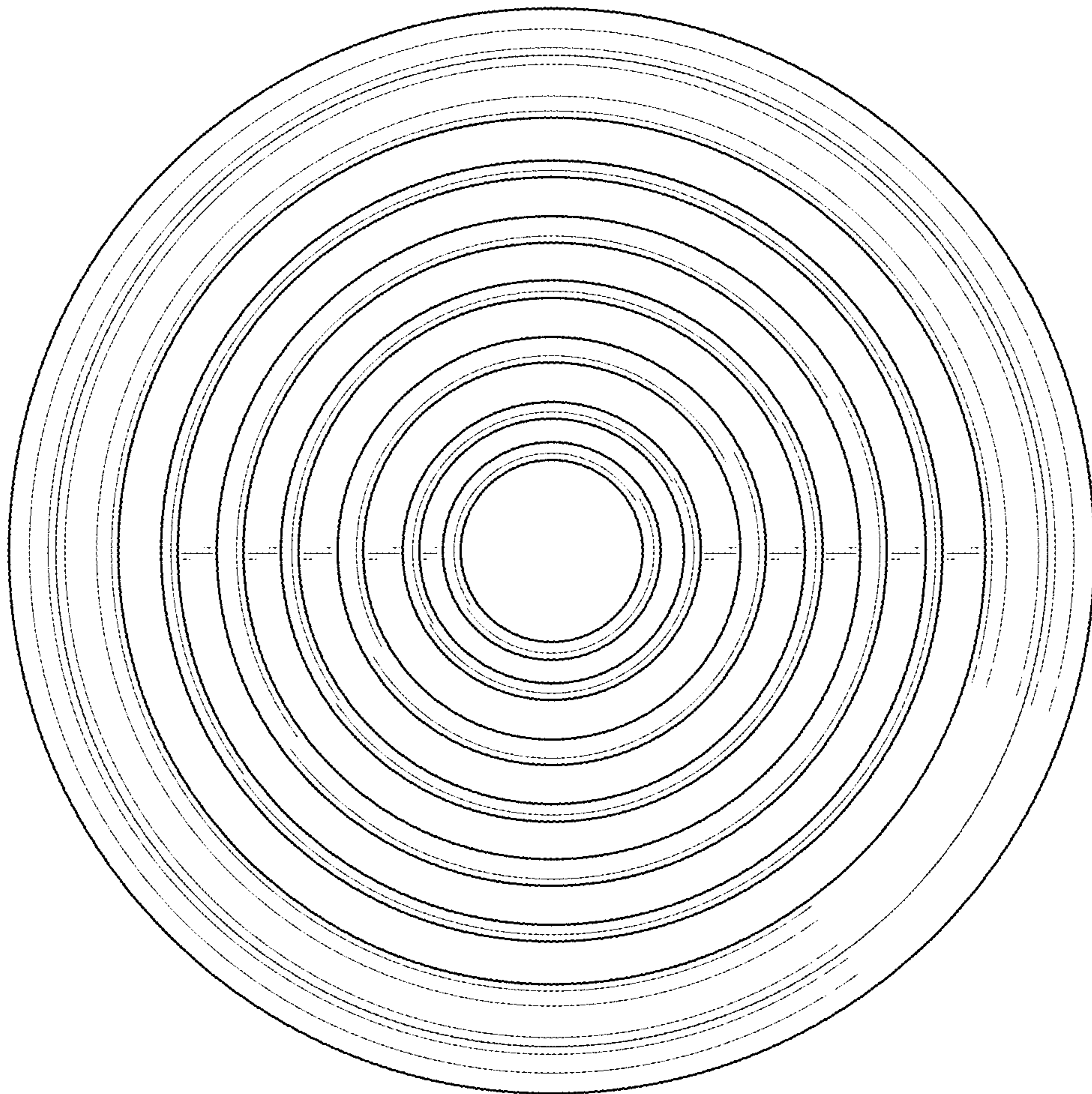


FIG. 6

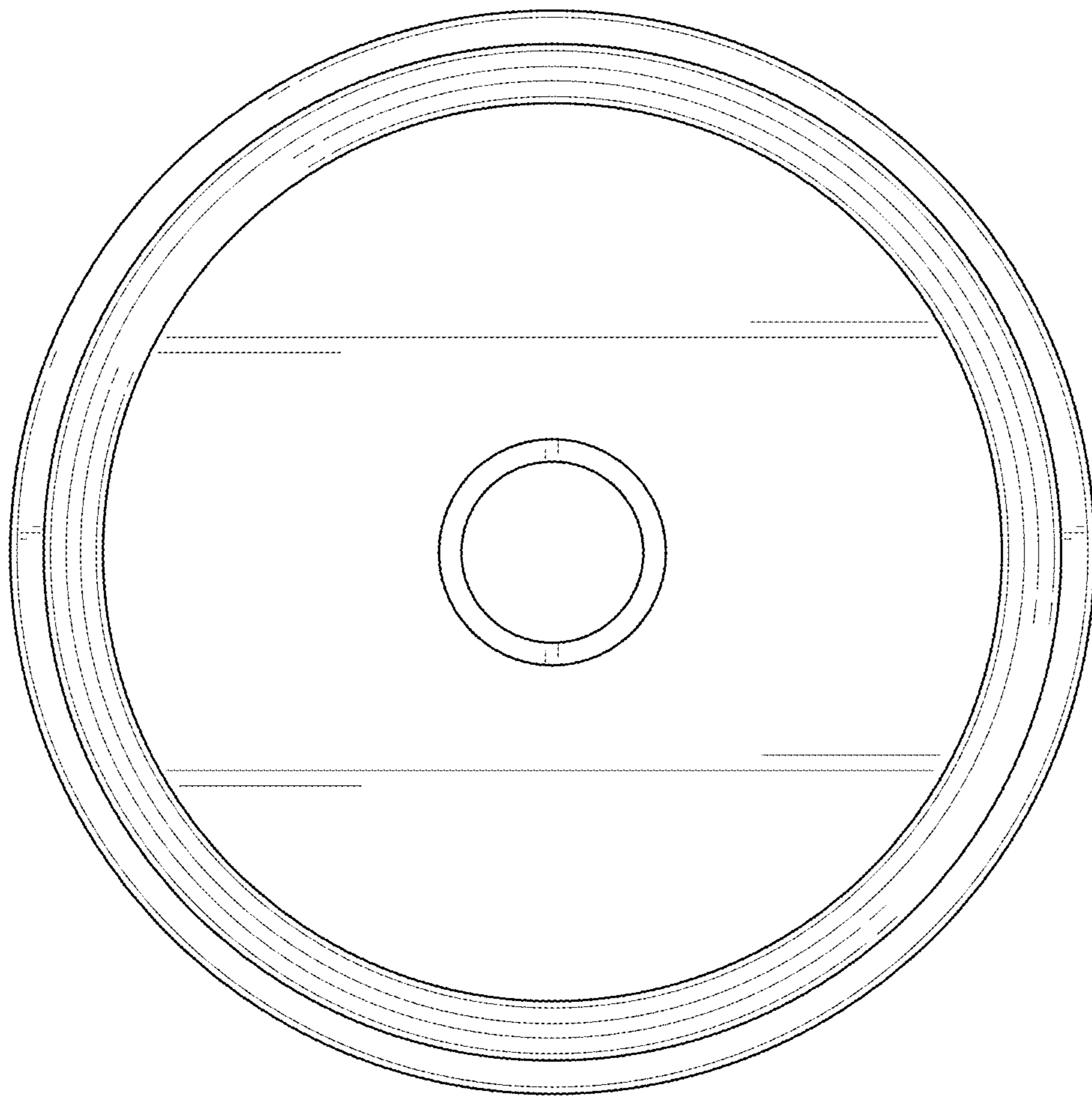


FIG. 7

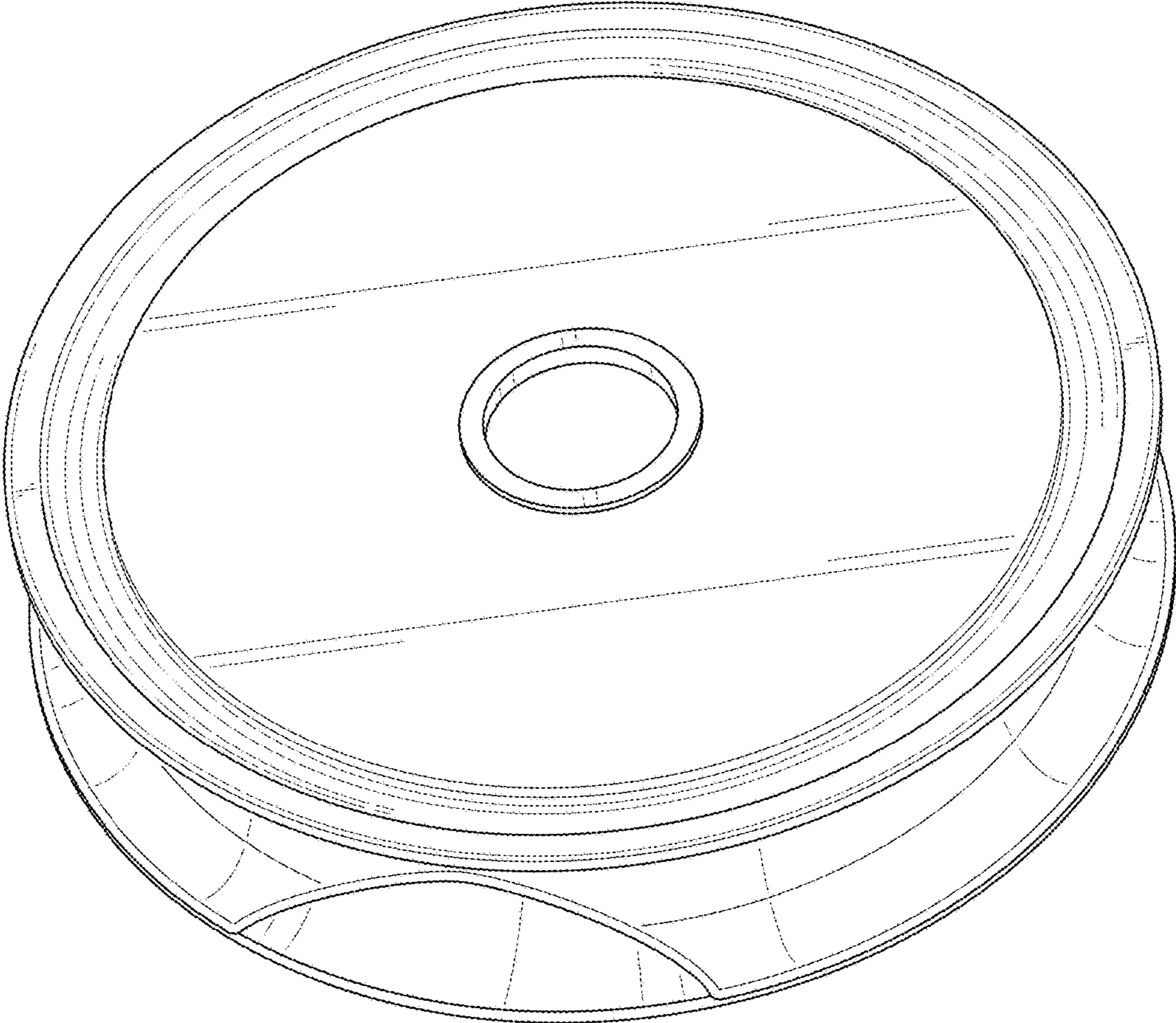


FIG. 8