

US00D866082S

(12) **United States Design Patent** (10) **Patent No.:** **US D866,082 S**  
**Armstrong et al.** (45) **Date of Patent:** **\*\* Nov. 5, 2019**

(54) **SOFT HELMET**  
(71) Applicant: **ICE HALO LTD.**, Barrie, CA (US)  
(72) Inventors: **Barbara Armstrong**, Barrie (CA);  
**Brad Armstrong**, Barrie (CA)  
(73) Assignee: **Ice Halo, Ltd.**, Ontario (CA)  
(\*\*) Term: **15 Years**

(21) Appl. No.: **29/653,667**  
(22) Filed: **Jun. 18, 2018**

(30) **Foreign Application Priority Data**

Dec. 18, 2017 (CA) ..... 178830  
Dec. 18, 2017 (CA) ..... 178831

(51) **LOC (12) Cl.** ..... **09-03**  
(52) **U.S. Cl.**  
USPC ..... **D29/102**

(58) **Field of Classification Search**  
USPC ..... D29/102-110, 112, 122; D2/869, 870;  
358/471; D16/208  
CPC .. A63B 71/10; A42B 3/00; A42B 3/18; A42B  
3/20; A42B 3/185; A42B 3/225; A42B  
3/121; A42B 3/12; A42B 3/0406; A42B  
3/10; A42B 1/04; A42B 1/041; A61F 9/06  
See application file for complete search history.

(56) **References Cited**

**U.S. PATENT DOCUMENTS**

D292,330 S \* 10/1987 McColough ..... D29/106  
5,615,419 A \* 4/1997 Williams ..... A42B 3/00  
2/411  
D482,163 S \* 11/2003 Brown ..... D29/102  
D564,134 S \* 3/2008 Brundage ..... D29/102  
D565,799 S \* 4/2008 Timms ..... D29/102  
D584,000 S \* 12/2008 Saluan ..... D29/106  
D603,099 S \* 10/2009 Bologna ..... D29/106

D625,050 S \* 10/2010 Chen ..... D29/106  
D654,630 S \* 2/2012 Chou ..... D29/106  
D663,901 S \* 7/2012 Vito ..... D29/122  
D667,592 S \* 9/2012 Vito ..... D29/122  
D678,617 S \* 3/2013 Erb ..... D29/106  
D681,279 S \* 4/2013 Armstrong ..... D29/102  
D681,281 S \* 4/2013 Bologna ..... D29/106  
D699,895 S \* 2/2014 Hill ..... D29/102  
D704,894 S \* 5/2014 Jennings ..... D29/102

(Continued)

**OTHER PUBLICATIONS**

Danmar Products,—<https://www.danmarproducts.com/ecommerce/soft-comfy-cap-with-design.html>, Jan. 2012.

(Continued)

*Primary Examiner* — Ruth McNroy

(74) *Attorney, Agent, or Firm* — Notio Law Group

(57) **CLAIM**

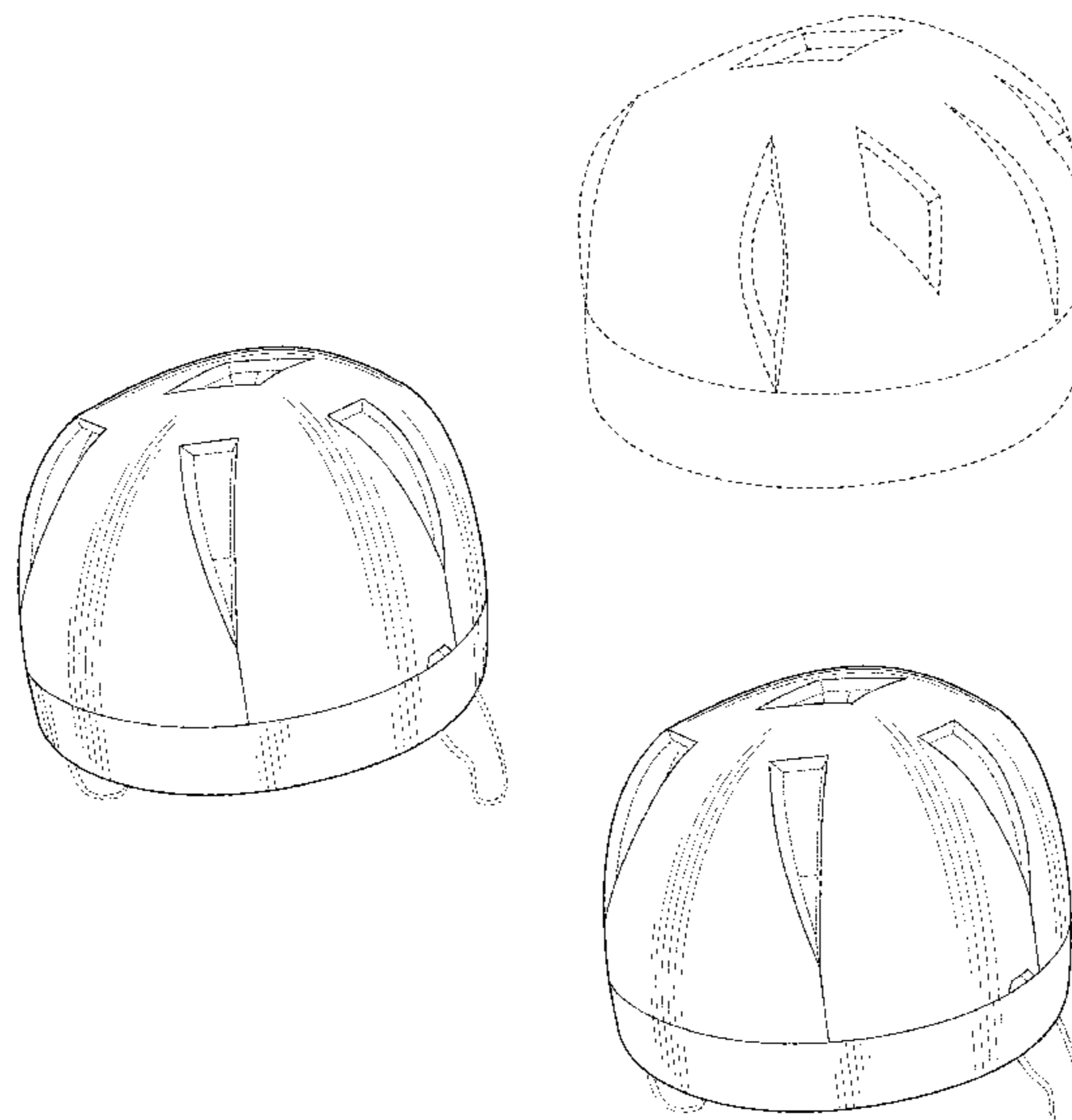
An ornamental design for a soft helmet, as shown and described.

**DESCRIPTION**

FIG. 1 is a top perspective view of a soft helmet showing our new design;  
FIG. 2 is a front elevation view thereof;  
FIG. 3 is a rear elevation view thereof;  
FIG. 4 is a right-side elevation view thereof;  
FIG. 5 is a left-side elevation view thereof;  
FIG. 6 is a top plan view thereof;  
FIG. 7 is a bottom perspective view thereof; and,  
FIG. 8 is an exploded view showing how the unclaimed outer helmet may be used on the outside of the claimed design.

The broken lines in the figures represent unclaimed matter included for the purpose of illustrating environment and form no part of the claimed design.

**1 Claim, 5 Drawing Sheets**



(56)

**References Cited**

U.S. PATENT DOCUMENTS

D704,895	S	*	5/2014	Jennings	.....	D29/102
D705,491	S	*	5/2014	Jennings	.....	D29/102
D739,087	S	*	9/2015	Jennings	.....	D29/102
D752,824	S	*	3/2016	Vito	.....	D29/122
D754,930	S	*	4/2016	Vito	.....	D29/122
D764,116	S	*	8/2016	Collette	.....	D29/106
D764,716	S	*	8/2016	Bologna	.....	D29/102
D766,517	S	*	9/2016	Collette	.....	D29/106
D773,738	S	*	12/2016	Collette	.....	D29/102
D773,740	S	*	12/2016	Clark	.....	D2/865
D774,257	S	*	12/2016	LaRocque	.....	D29/106
D778,504	S	*	2/2017	Collette	.....	D29/106
D805,255	S	*	12/2017	Hefer	.....	D29/102
9,901,132	B2	*	2/2018	Hairston	.....	A42B 1/041

OTHER PUBLICATIONS

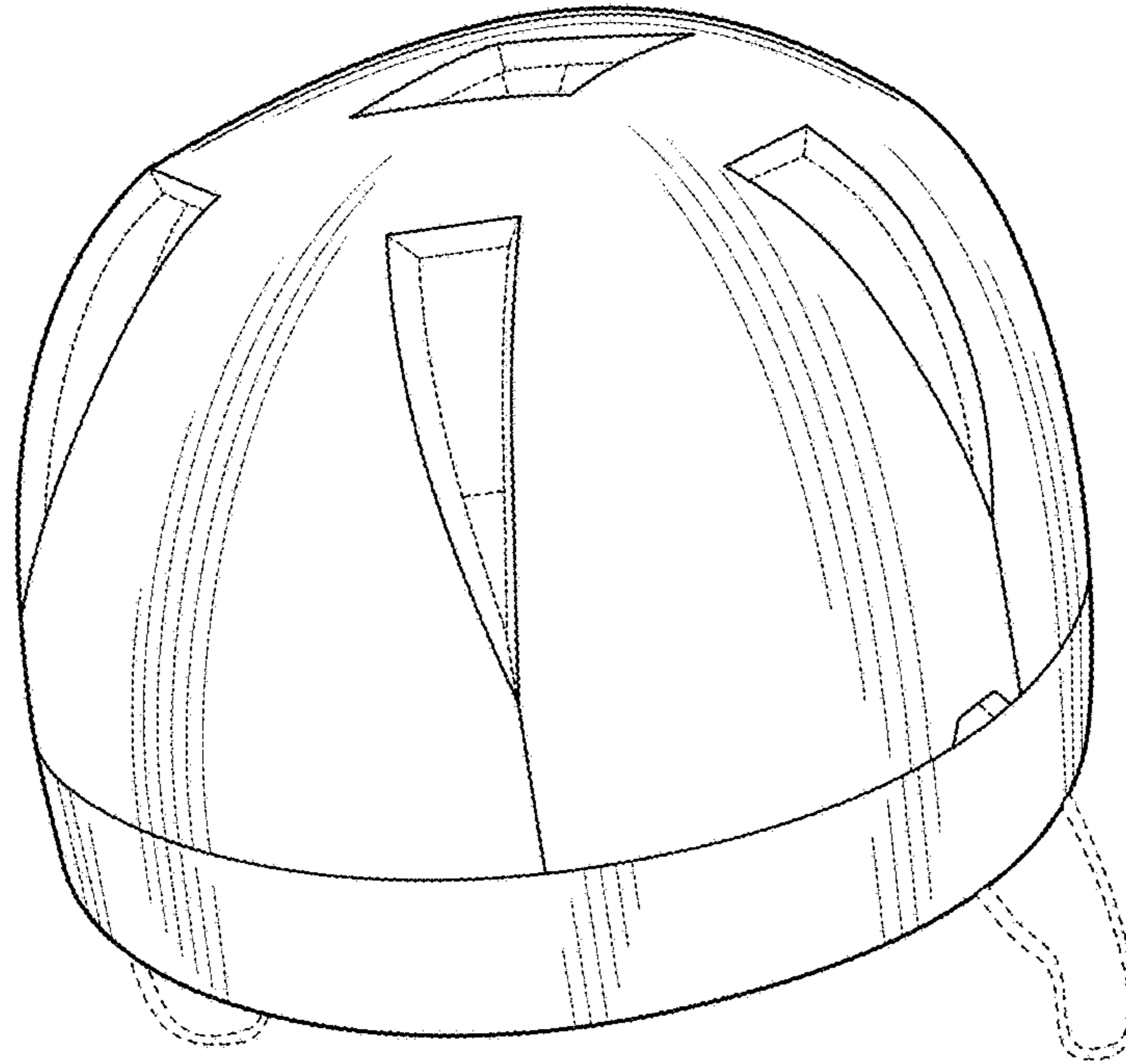
North Coast Medical, [https://www.ncmedical.com/item\\_104.html](https://www.ncmedical.com/item_104.html), May 26, 2015.

Especial Needs, <https://www.especialneeds.com/full-coverage-soft-shell-helmet.html>, May 2018.

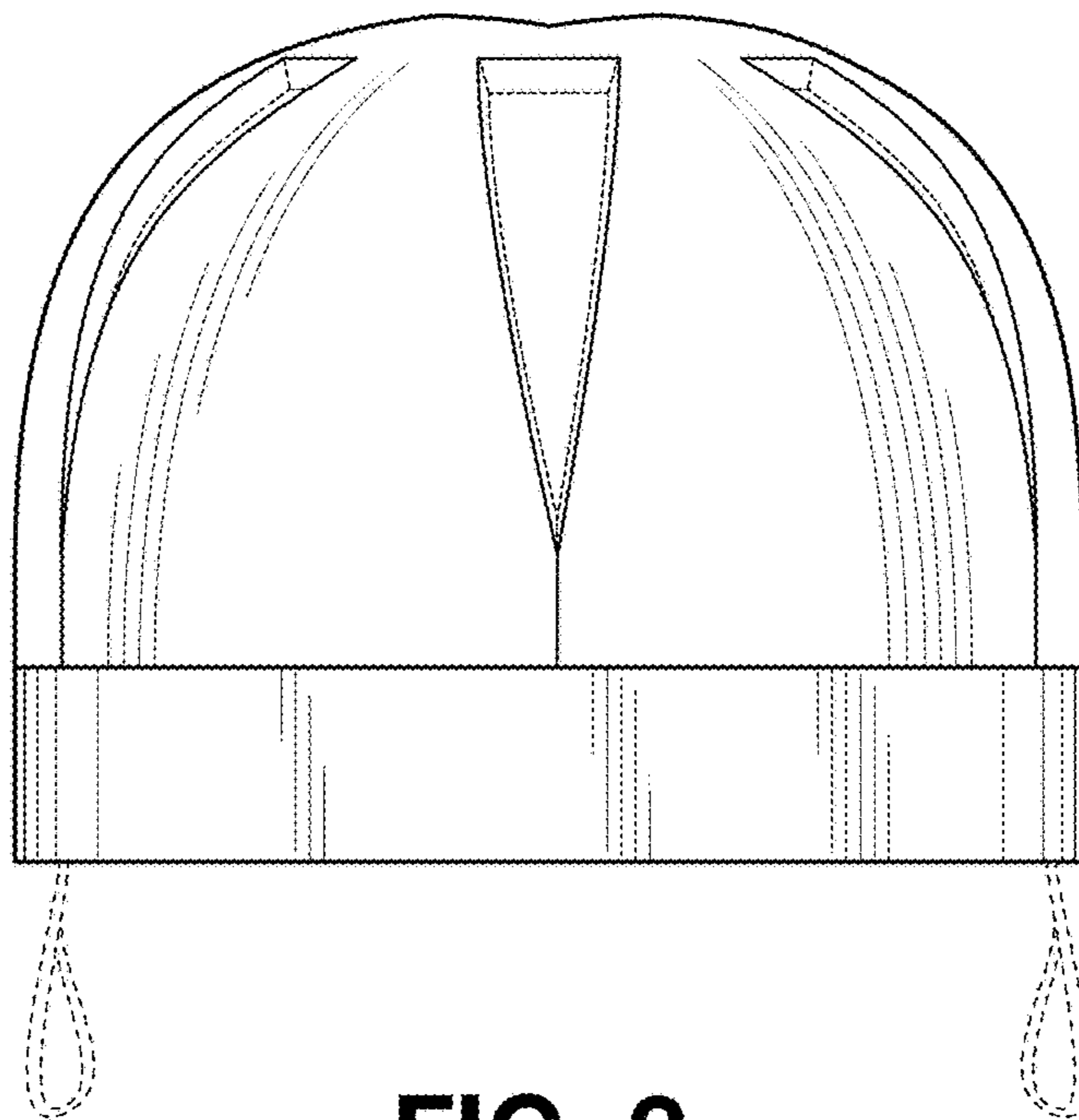
GameBreaker, <https://gamebreaker.com/shop/gamebreaker-pro-soft-shell-sports-helmet/>; <https://gamebreaker.com/shop/gamebreaker-soft-shell-protective-headgear/>, Apr. 2017.

Ribcap, AD-Online.be, Jan. 2016.

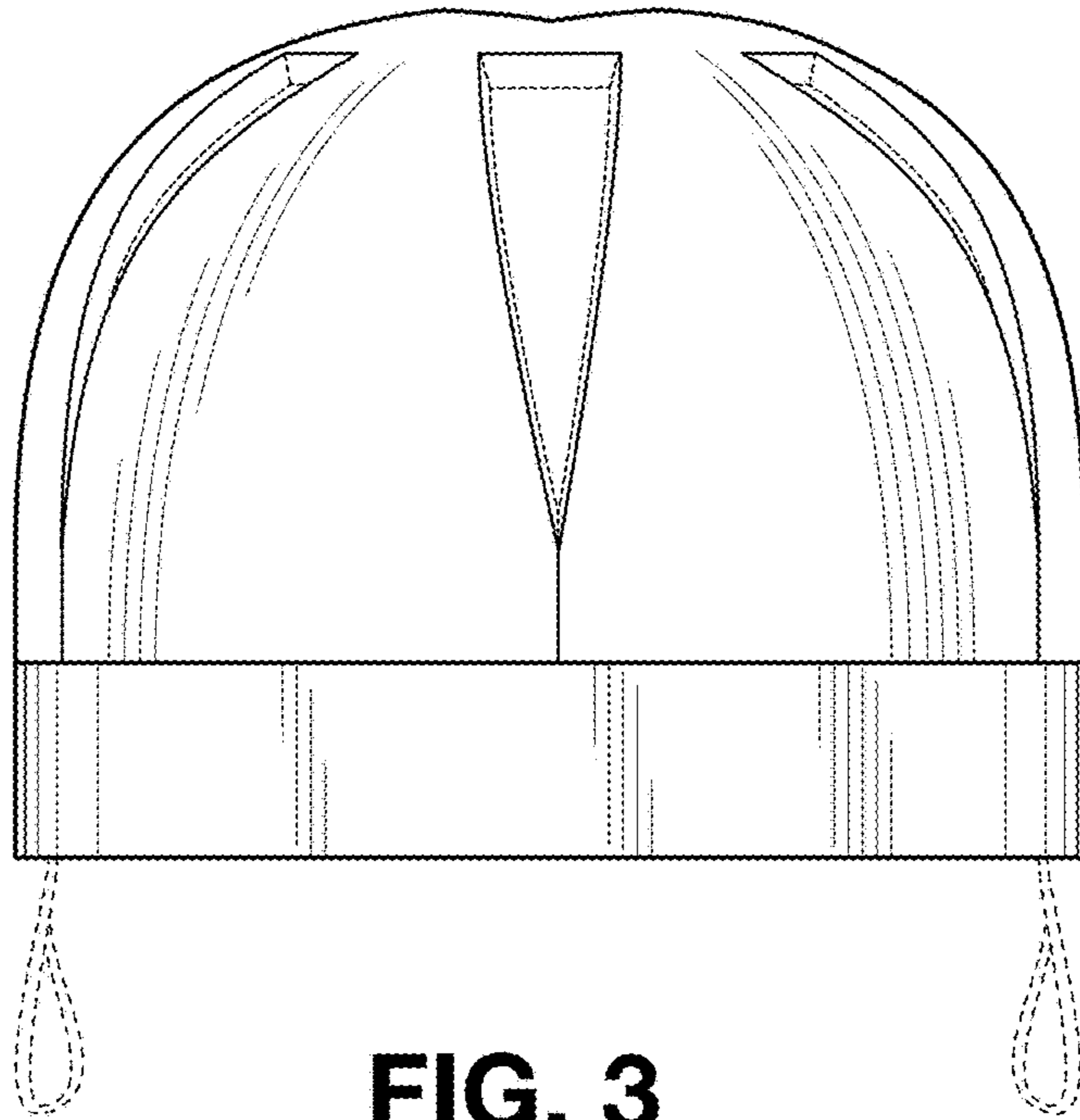
\* cited by examiner



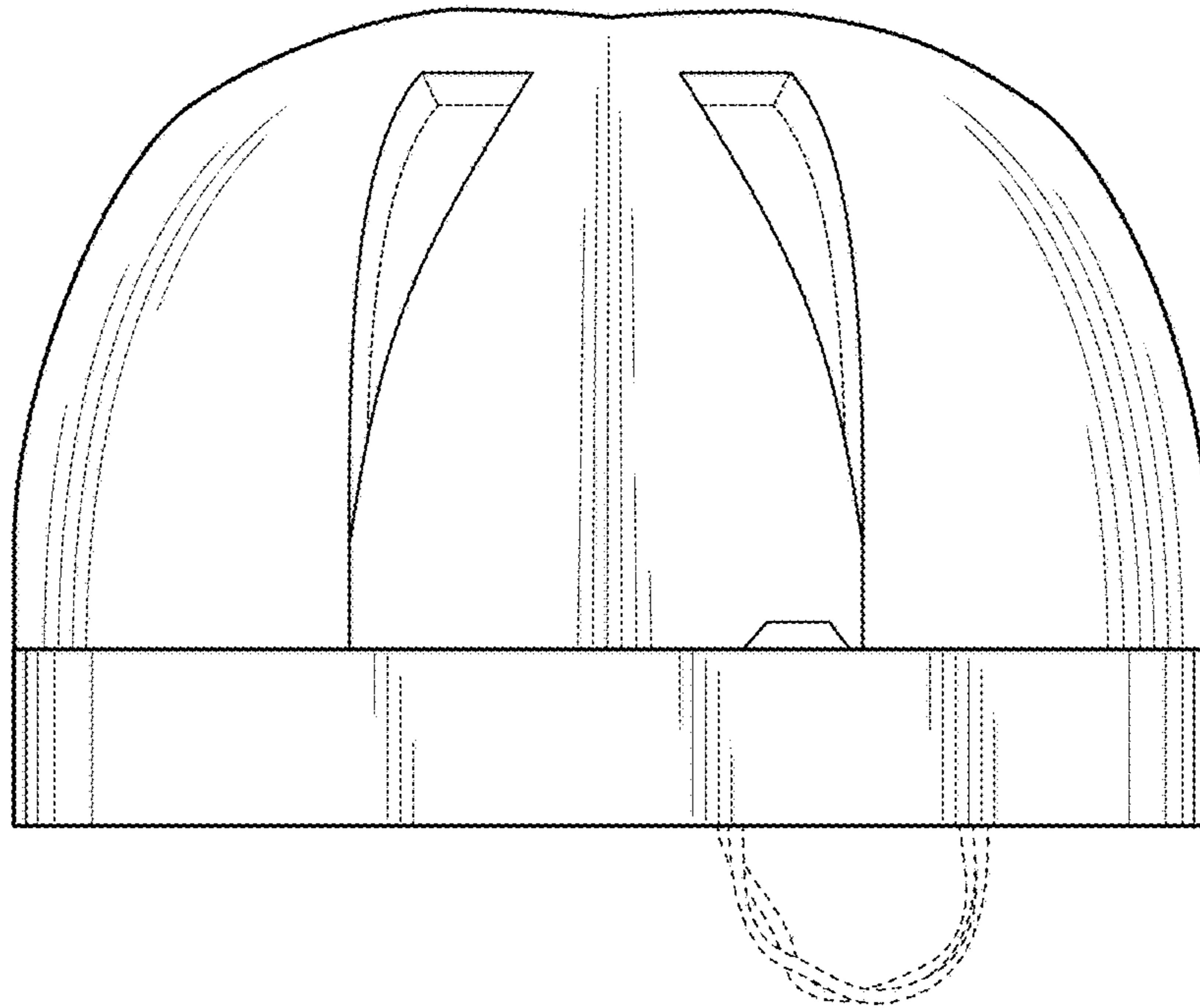
**FIG. 1**



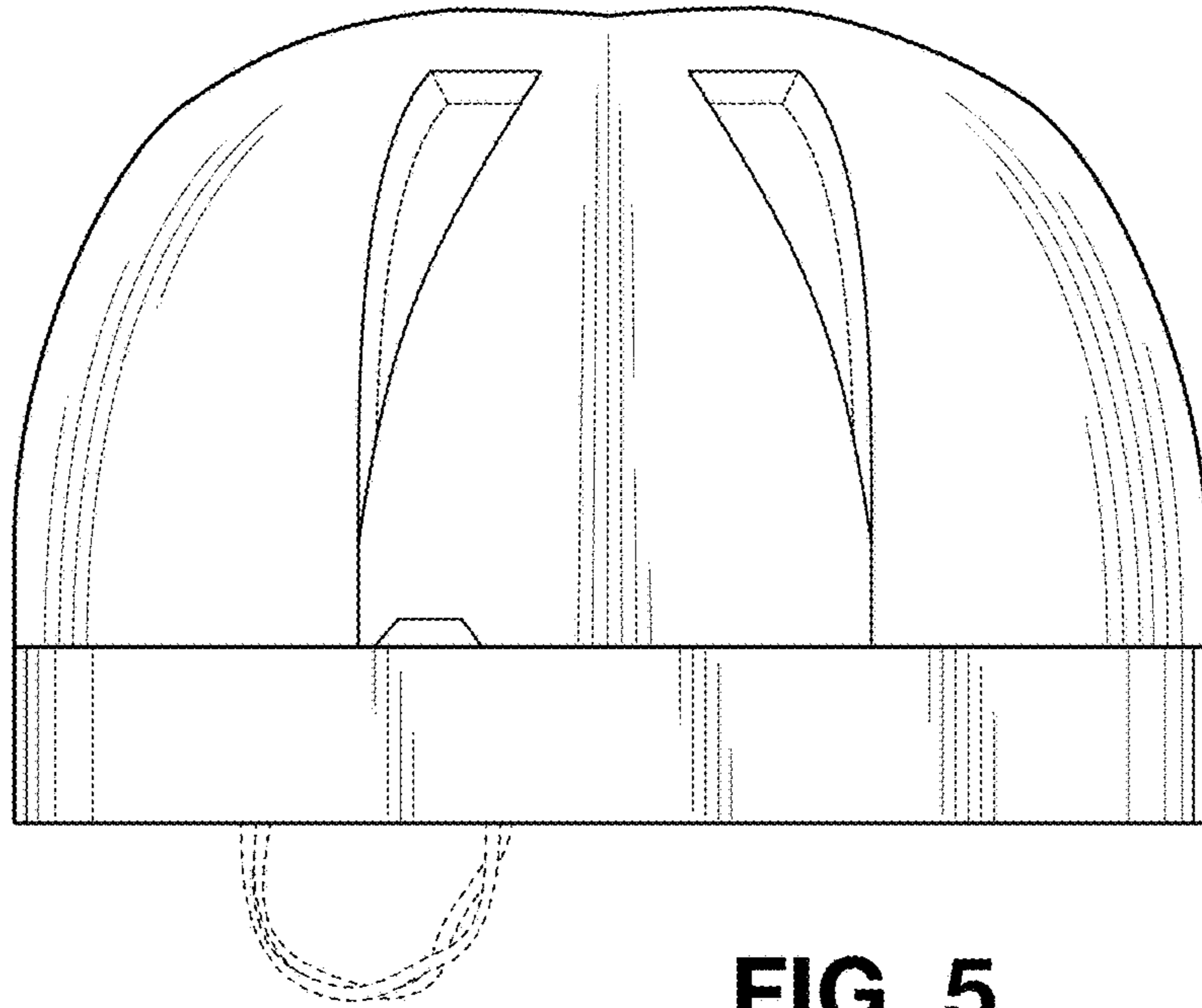
**FIG. 2**



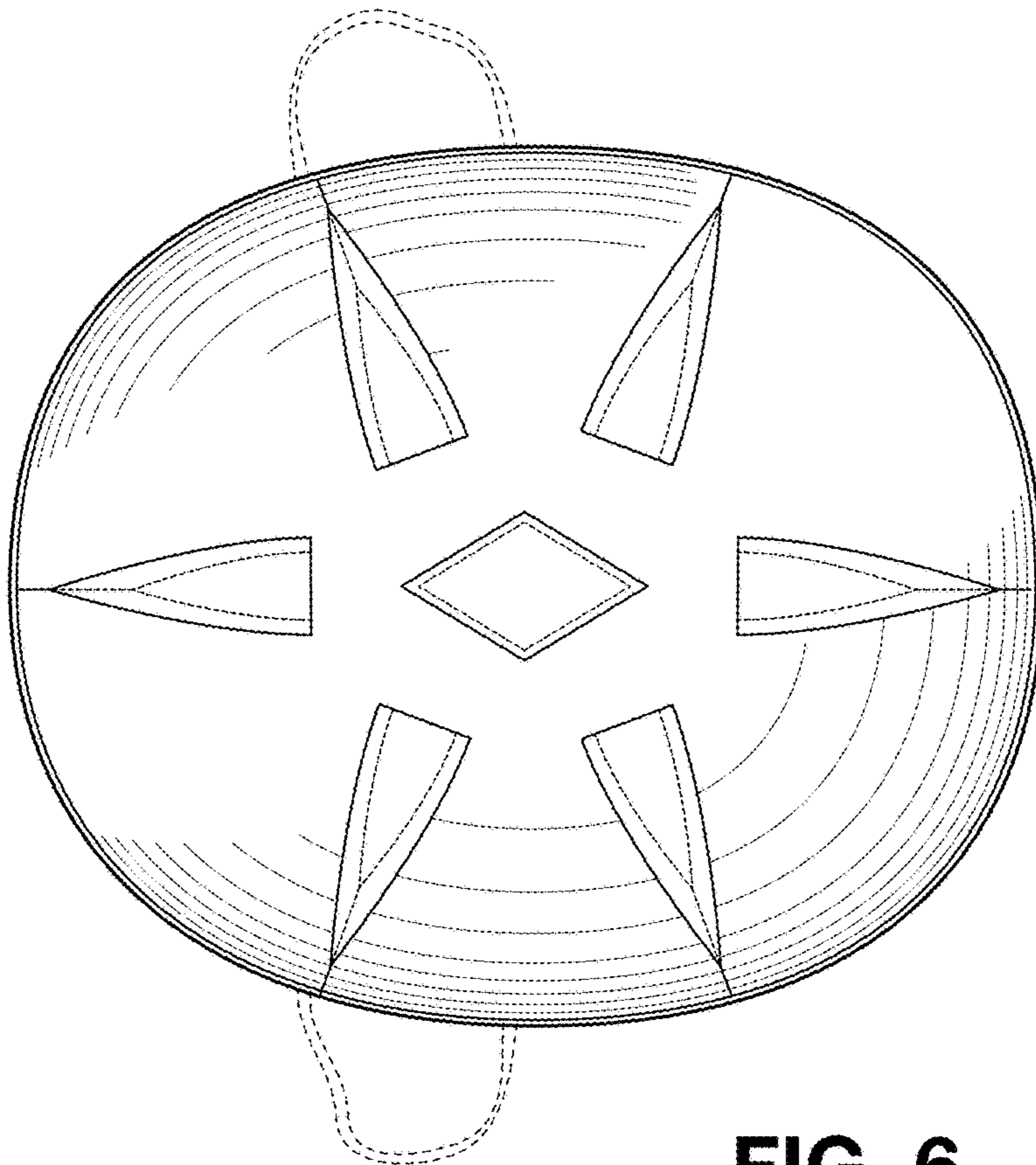
**FIG. 3**



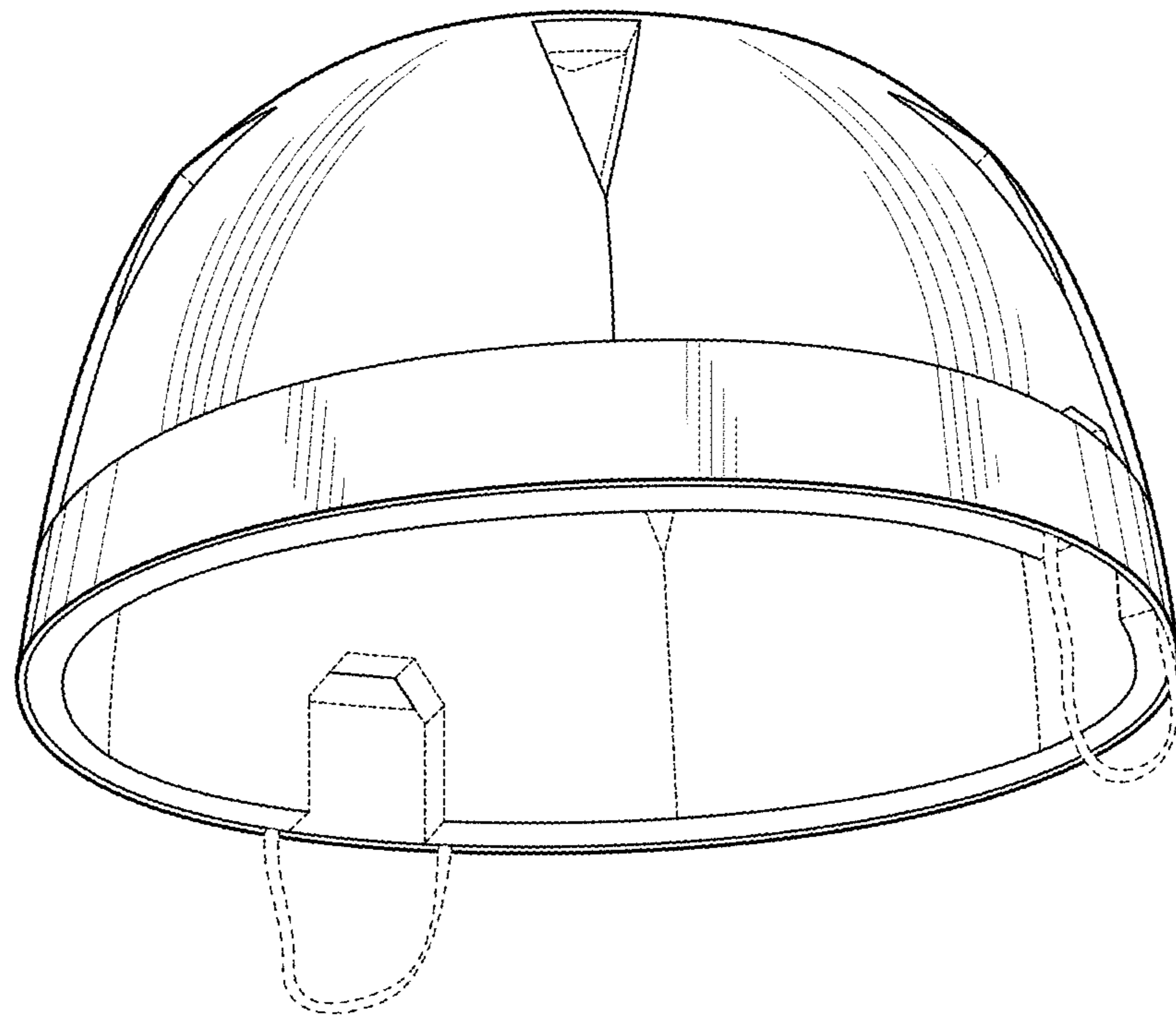
**FIG. 4**



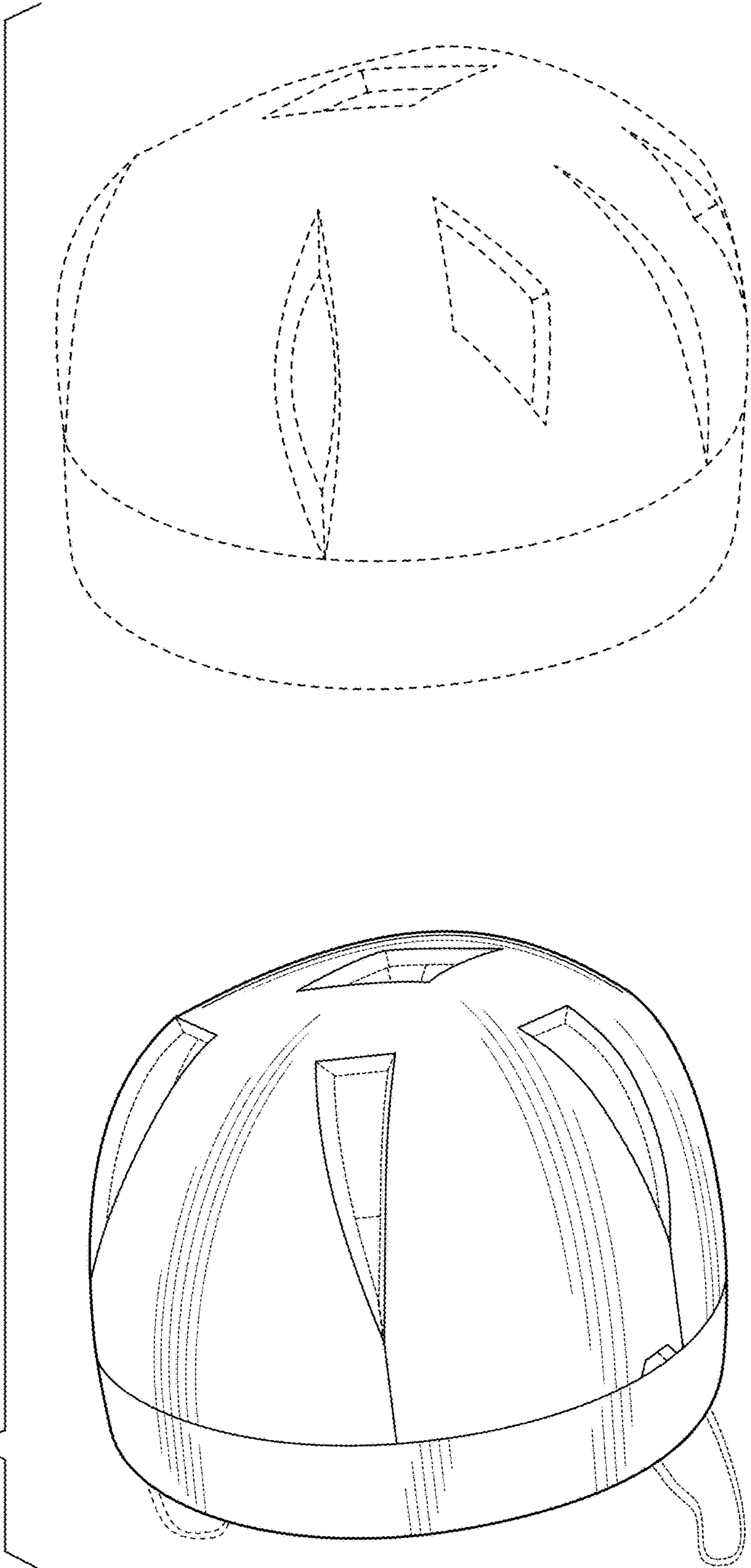
**FIG. 5**



**FIG. 6**



**FIG. 7**



**FIG. 8**