



US00D866073S

(12) **United States Design Patent**
Bowlus

(10) **Patent No.:** **US D866,073 S**

(45) **Date of Patent:** **** Nov. 5, 2019**

(54) **GROOMING DEVICE ATTACHMENT**

(71) Applicant: **Dean G Bowlus**, El Sobrante, CA (US)

(72) Inventor: **Dean G Bowlus**, El Sobrante, CA (US)

(**) Term: **15 Years**

(21) Appl. No.: **29/634,561**

(22) Filed: **Jan. 23, 2018**

(51) **LOC (12) Cl.** **28-03**

(52) **U.S. Cl.**
USPC **D28/54**

(58) **Field of Classification Search**
USPC D28/49-54; D30/158
CPC B26B 19/20-205; B26B 19/00-107; B26B
19/12-18; B26B 19/22-24; B26B
19/26-265; B26B 19/28-36; B26B
19/38-48

See application file for complete search history.

(56) **References Cited**

U.S. PATENT DOCUMENTS

D337,176 S *	7/1993	Romani	D28/54
5,768,748 A *	6/1998	Silvera	A01K 13/001 119/602
5,826,300 A *	10/1998	Smith	A01K 13/002 15/402
5,881,462 A *	3/1999	Romani	B26B 19/44 30/133

5,924,202 A *	7/1999	Romani	A01K 13/002 30/132
8,225,512 B2 *	7/2012	Coleman	B26B 19/44 30/133
9,149,943 B2 *	10/2015	Landrie	B26B 19/44
D782,115 S *	3/2017	Rubino	D28/54
D812,302 S *	3/2018	Rubino	D28/54
2012/0216410 A1 *	8/2012	Beam	B26B 19/3813 30/123

* cited by examiner

Primary Examiner — Jennifer Rivard

(74) *Attorney, Agent, or Firm* — Antero Tormey Petrin;
Pete Tormey

(57) **CLAIM**

The ornamental design for a grooming device attachment, as shown and described.

DESCRIPTION

FIG. 1 is a front perspective view of the grooming device attachment.

FIG. 2 is a front view thereof.

FIG. 3 is a back view thereof.

FIG. 4 is a right side view thereof.

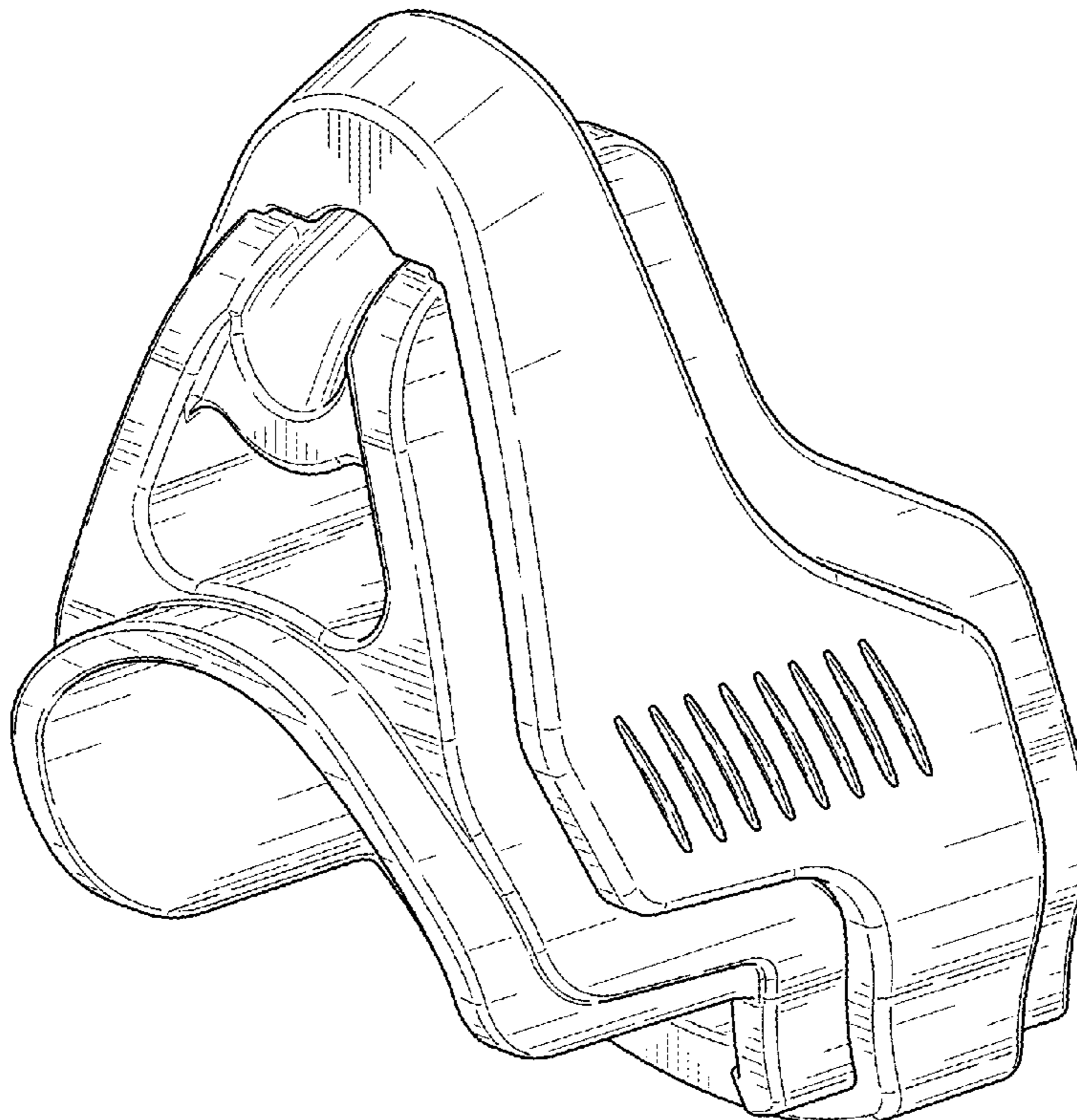
FIG. 5 is a left side view thereof.

FIG. 6 is a top view thereof.

FIG. 7 is a bottom view thereof; and,

FIG. 8 is a rear perspective view thereof.

1 Claim, 5 Drawing Sheets



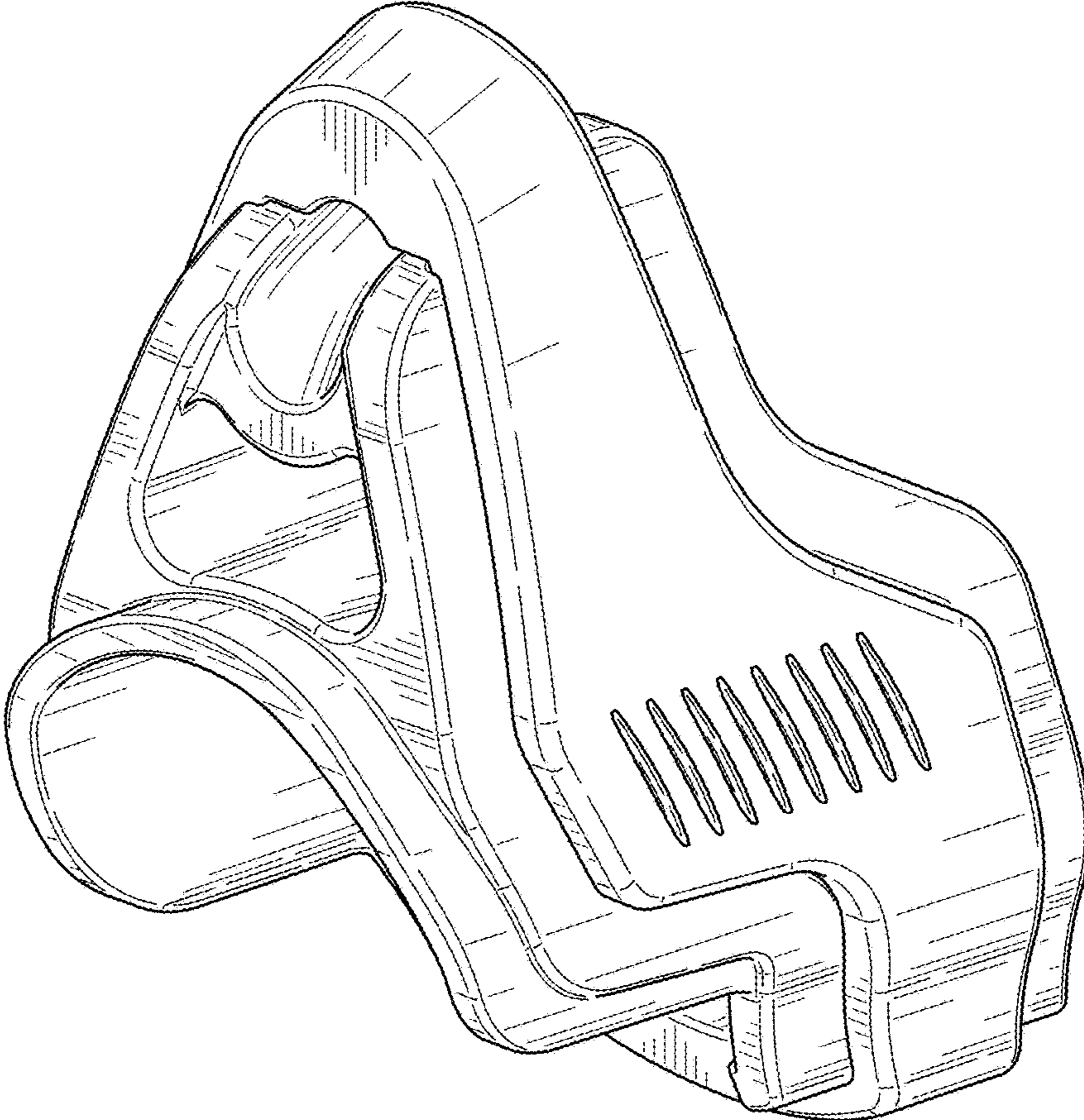


FIG. 1

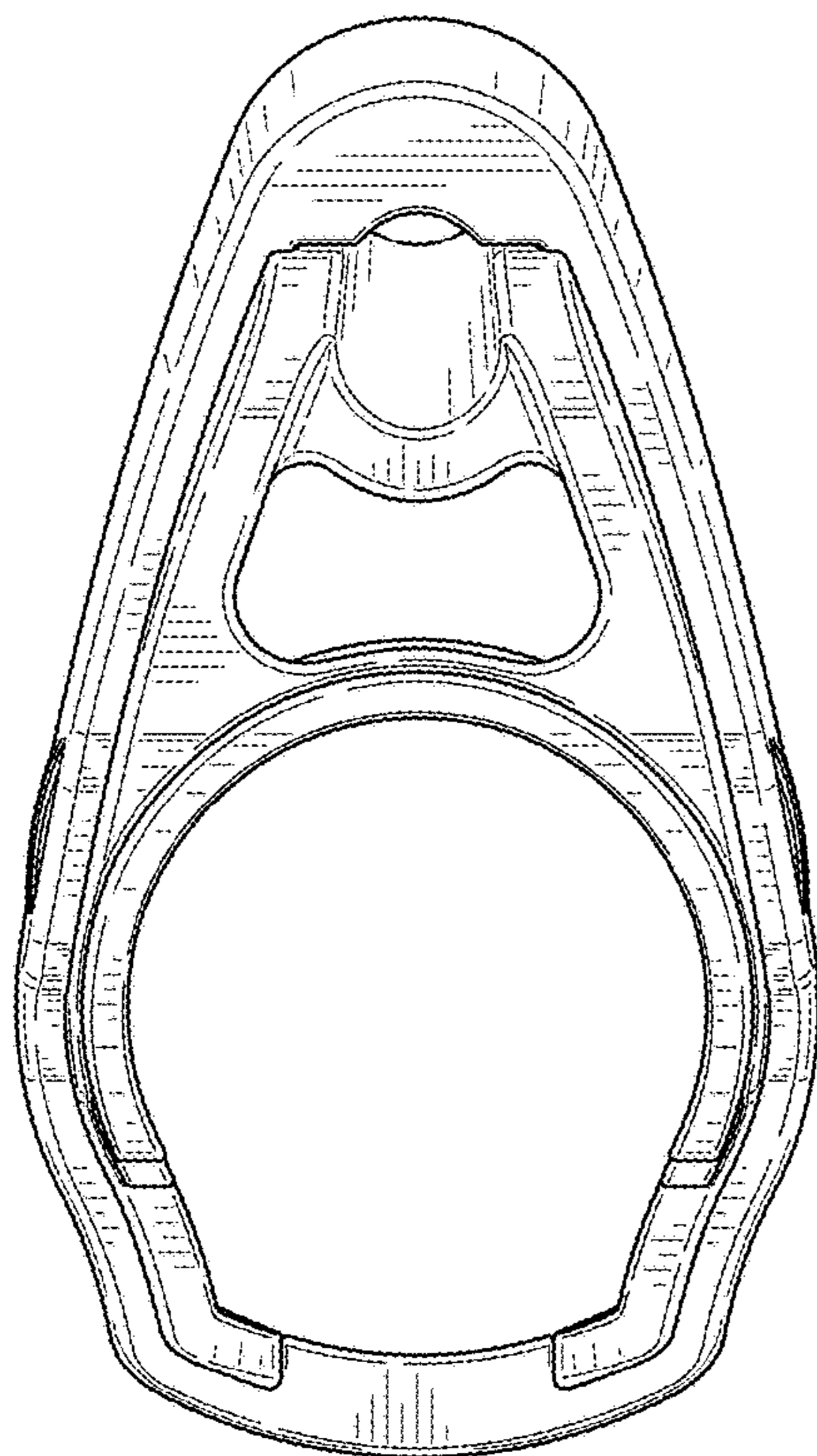


FIG. 2

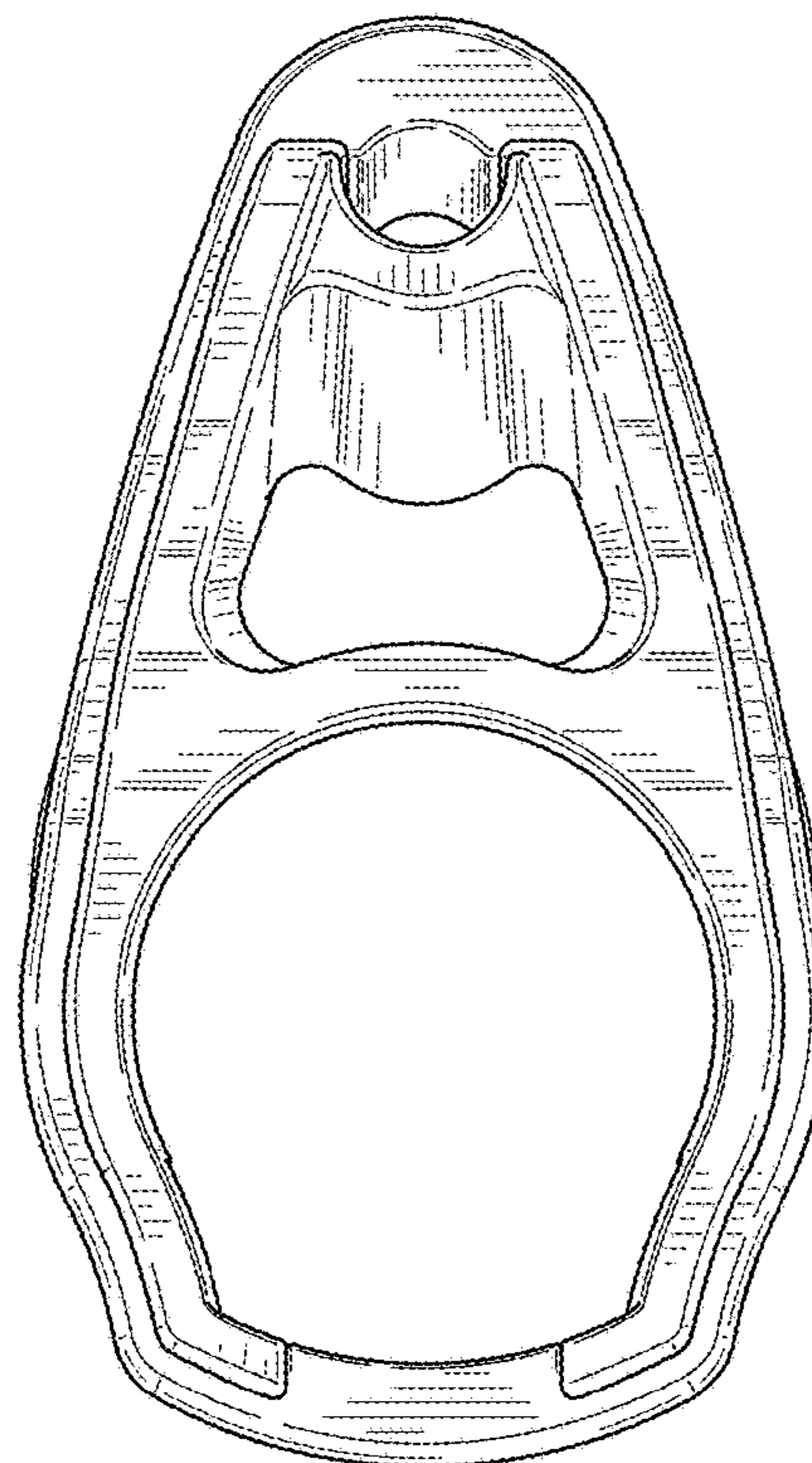


FIG. 3

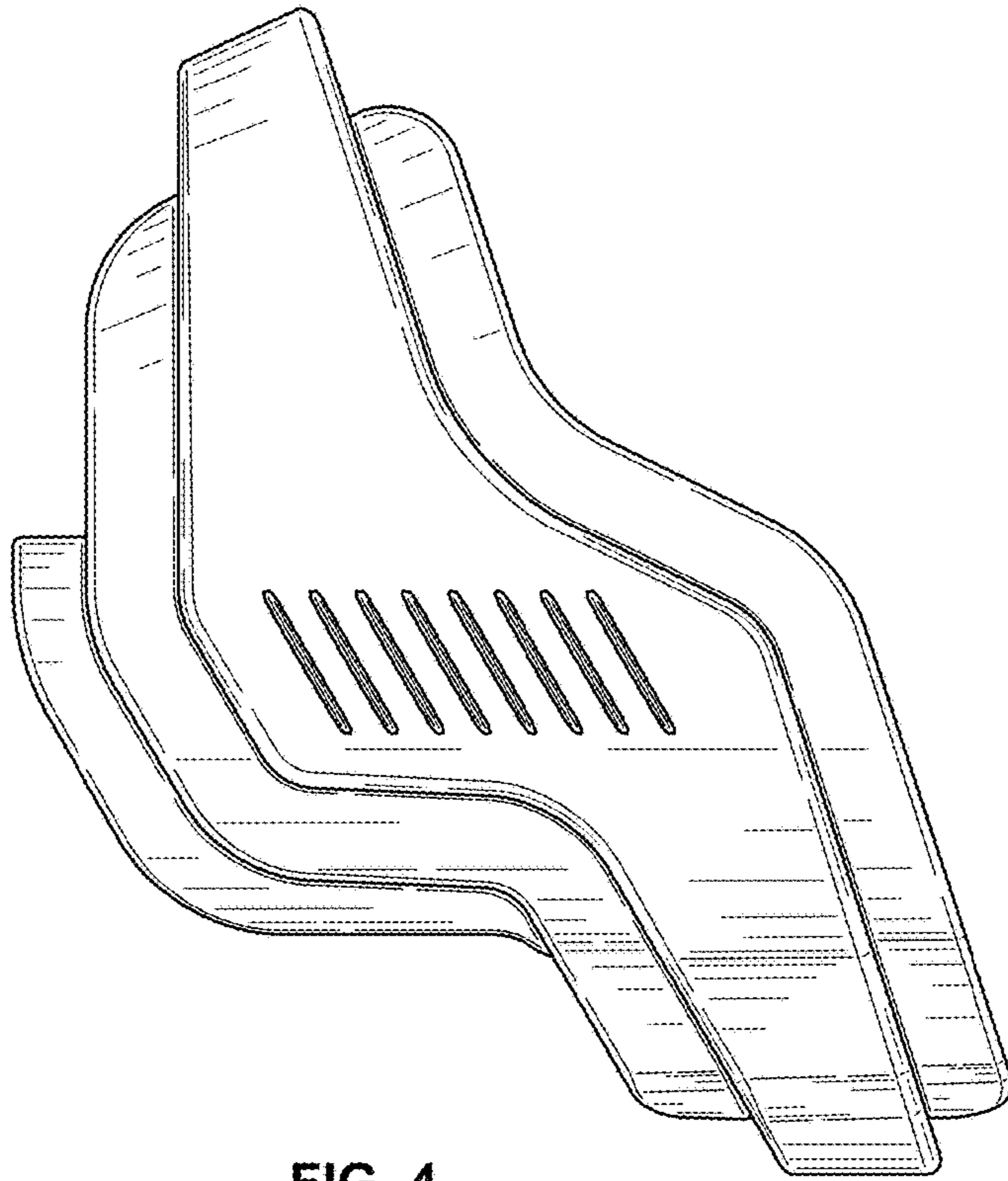


FIG. 4

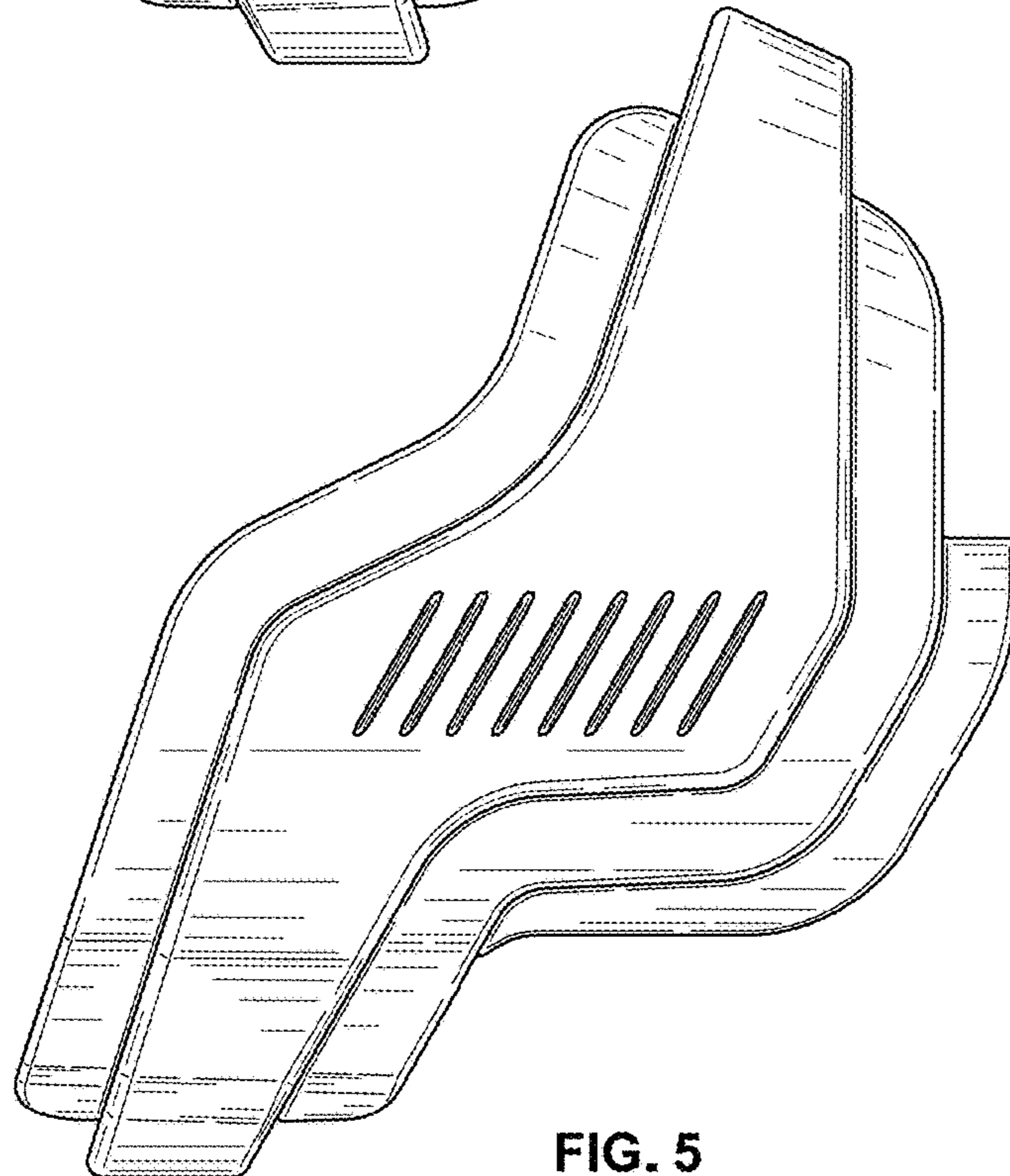


FIG. 5

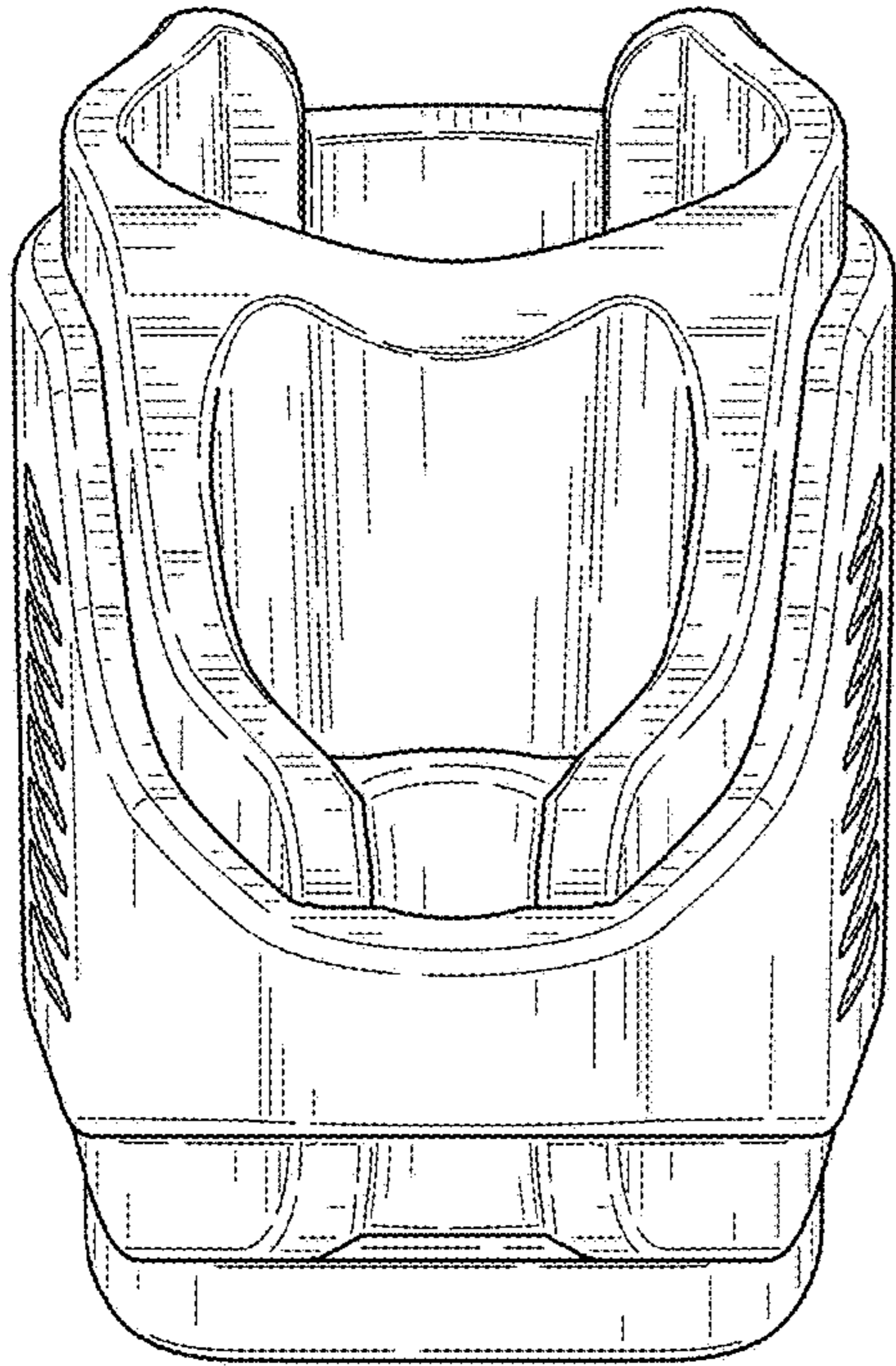


FIG. 6

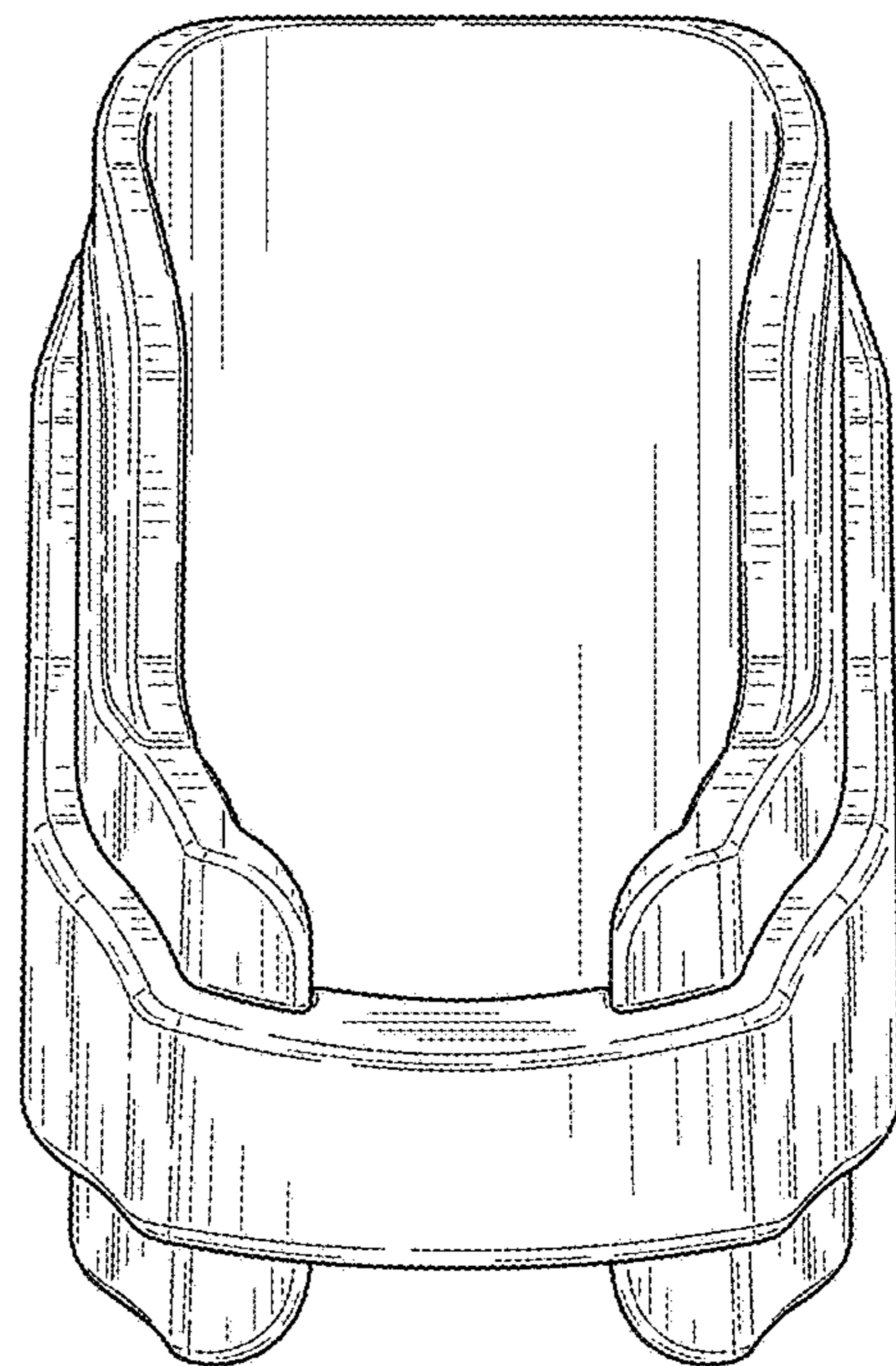


FIG. 7

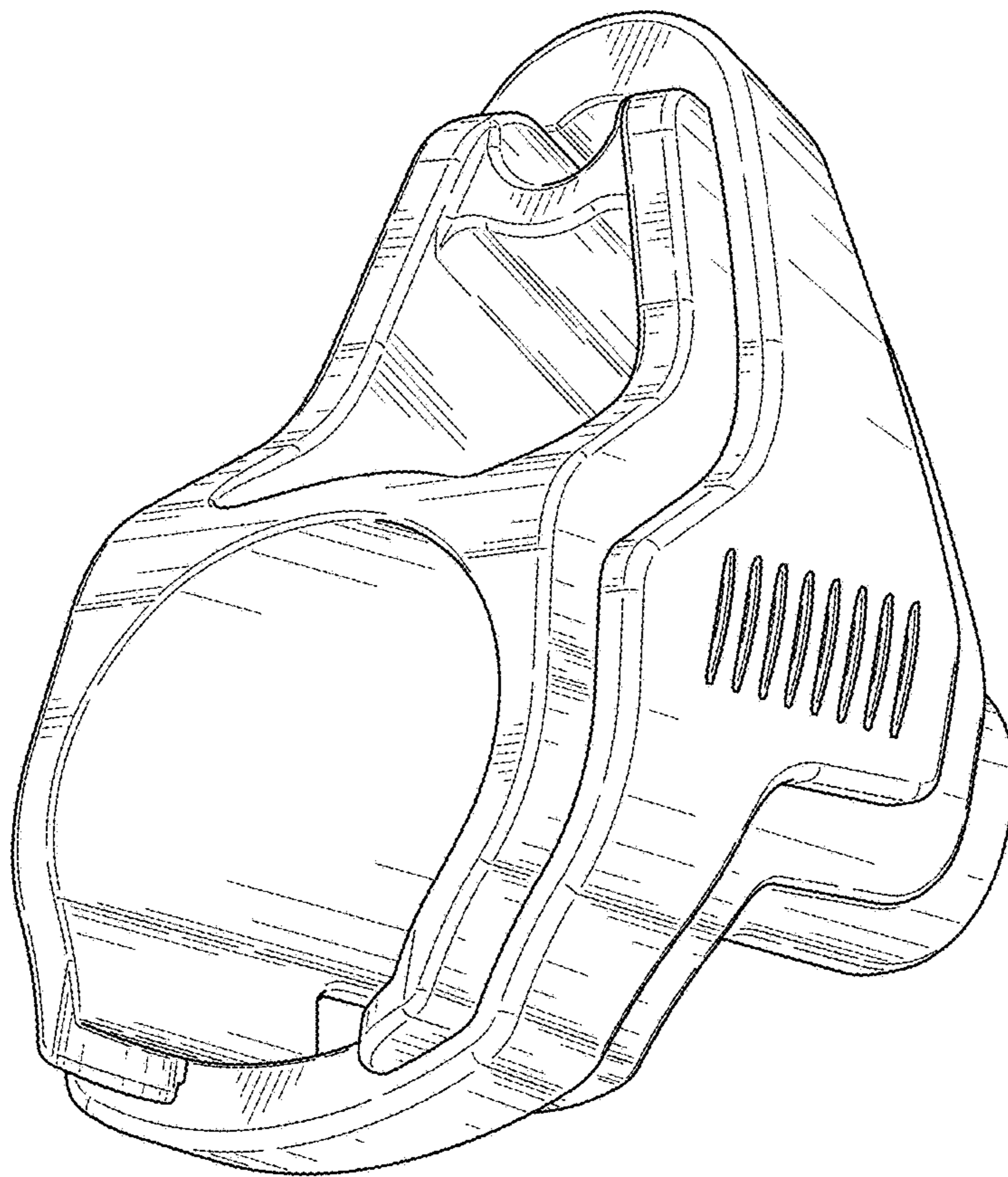


FIG. 8