



US00D866071S

(12) **United States Design Patent** (10) **Patent No.:** **US D866,071 S**
Luo (45) **Date of Patent:** **** Nov. 5, 2019**

(54) **LINT REMOVER**
(71) Applicant: **Xiaojun Luo**, Zhejiang (CN)
(72) Inventor: **Xiaojun Luo**, Zhejiang (CN)
(**) Term: **15 Years**
(21) Appl. No.: **29/631,680**
(22) Filed: **Jan. 2, 2018**

(30) **Foreign Application Priority Data**

Jul. 3, 2017 (CN) 2017 3 0285611

(51) **LOC (12) Cl.** **28-03**

(52) **U.S. Cl.**
USPC **D28/50**

(58) **Field of Classification Search**

USPC D28/49-54; D4/116, 122
CPC B26B 19/14; B26B 19/141; B26B 19/143;
B26B 19/145; B26B 19/146; B26B
19/148; B26B 19/16; B26B 19/18; B26B
19/3806; B26B 19/3813; B26B 19/3826;
B26B 19/384; B26B 19/3853-3866;
A47L 25/00; A47L 25/005; A47L 25/08
See application file for complete search history.

(56) **References Cited**

U.S. PATENT DOCUMENTS

D319,564 S * 9/1991 Okayasu D8/61
D321,115 S * 10/1991 Henry D8/61

D459,028 S * 6/2002 Hsu D28/50
D472,024 S * 3/2003 Caldwell B26B 19/14
D32/32
D495,831 S * 9/2004 Hsu D28/50
D513,814 S * 1/2006 Chen D28/50
D620,643 S * 7/2010 Teteak D28/50
D678,611 S * 3/2013 Hsu D28/50
D828,626 S * 9/2018 Hsu D28/50
D841,243 S * 2/2019 Hsu D28/50
D841,244 S * 2/2019 Hsu D28/50

* cited by examiner

Primary Examiner — Jennifer Rivard

(74) *Attorney, Agent, or Firm* — Muncy, Geissler, Olds & Lowe, P.C.

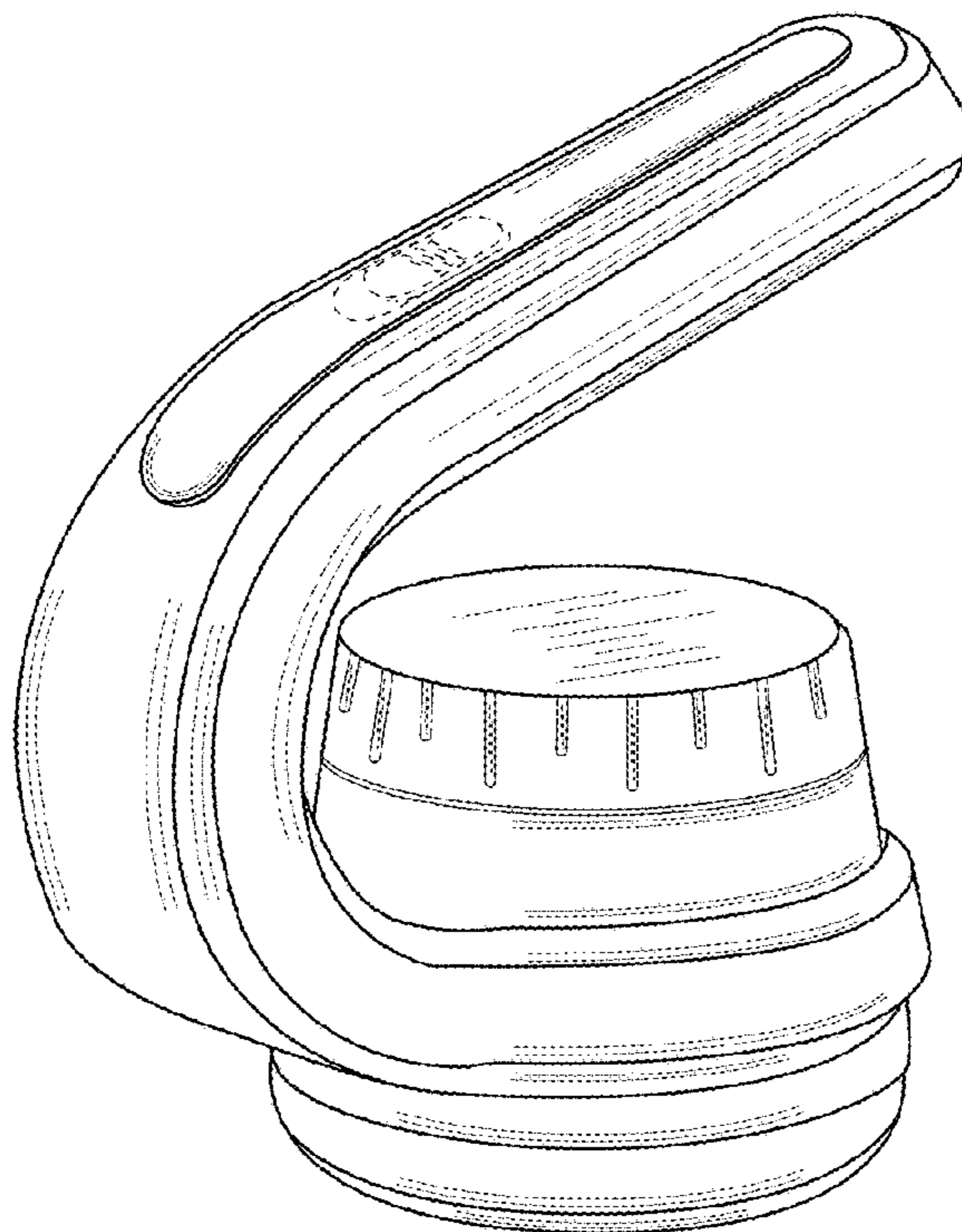
(57) **CLAIM**

The ornamental design for a lint remover, as shown and described.

DESCRIPTION

FIG. 1 is a enlarged perspective view of a lint remover showing my new design;
FIG. 2 is a front elevational view thereof;
FIG. 3 is a rear elevational view thereof;
FIG. 4 is a left side view thereof;
FIG. 5 is a right side view thereof;
FIG. 6 is a top plan view thereof; and,
FIG. 7 is a bottom plan view thereof.
The broken lines in the drawings depict portions of the lint remover that form no part of the claimed design.

1 Claim, 4 Drawing Sheets



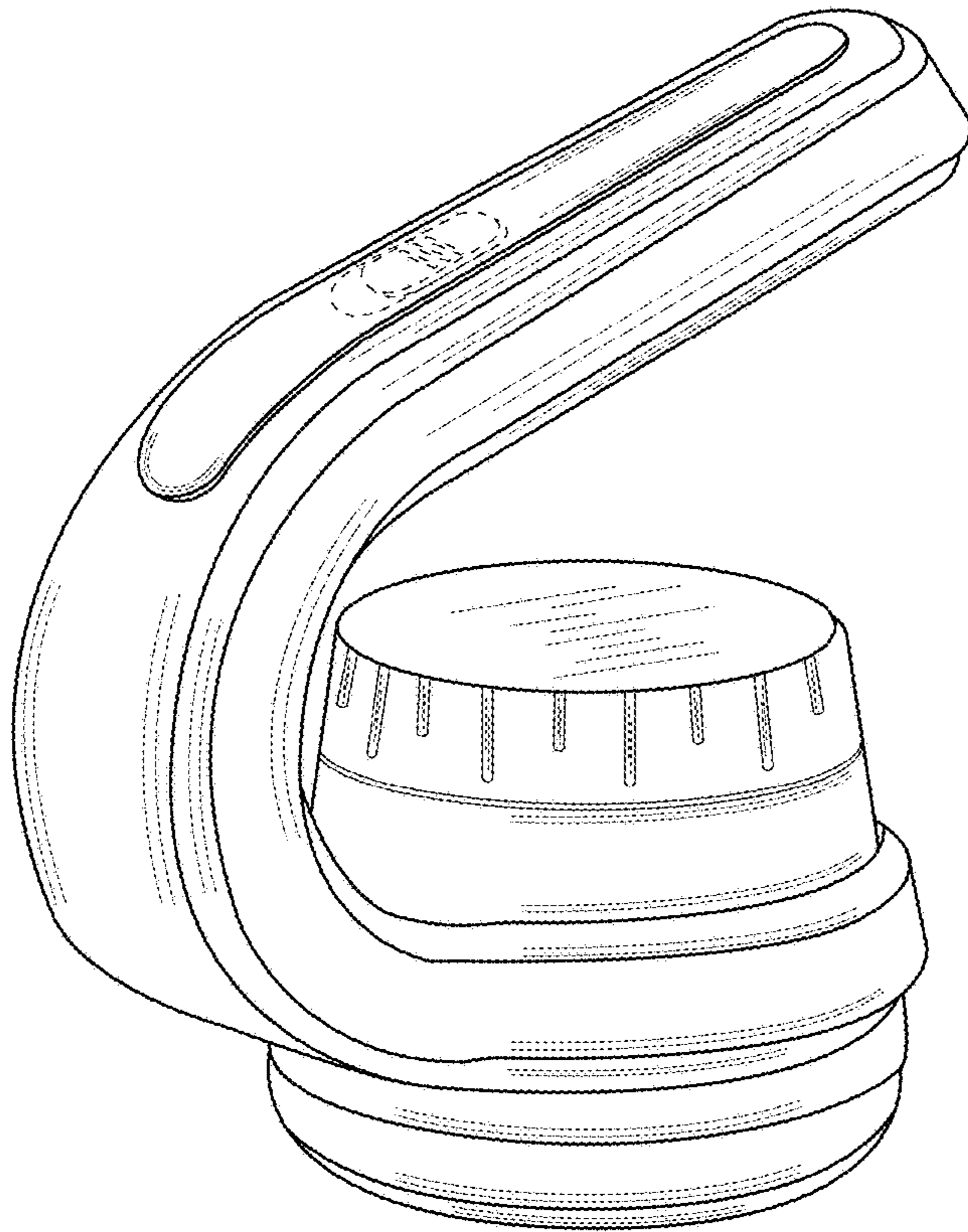


FIG. 1

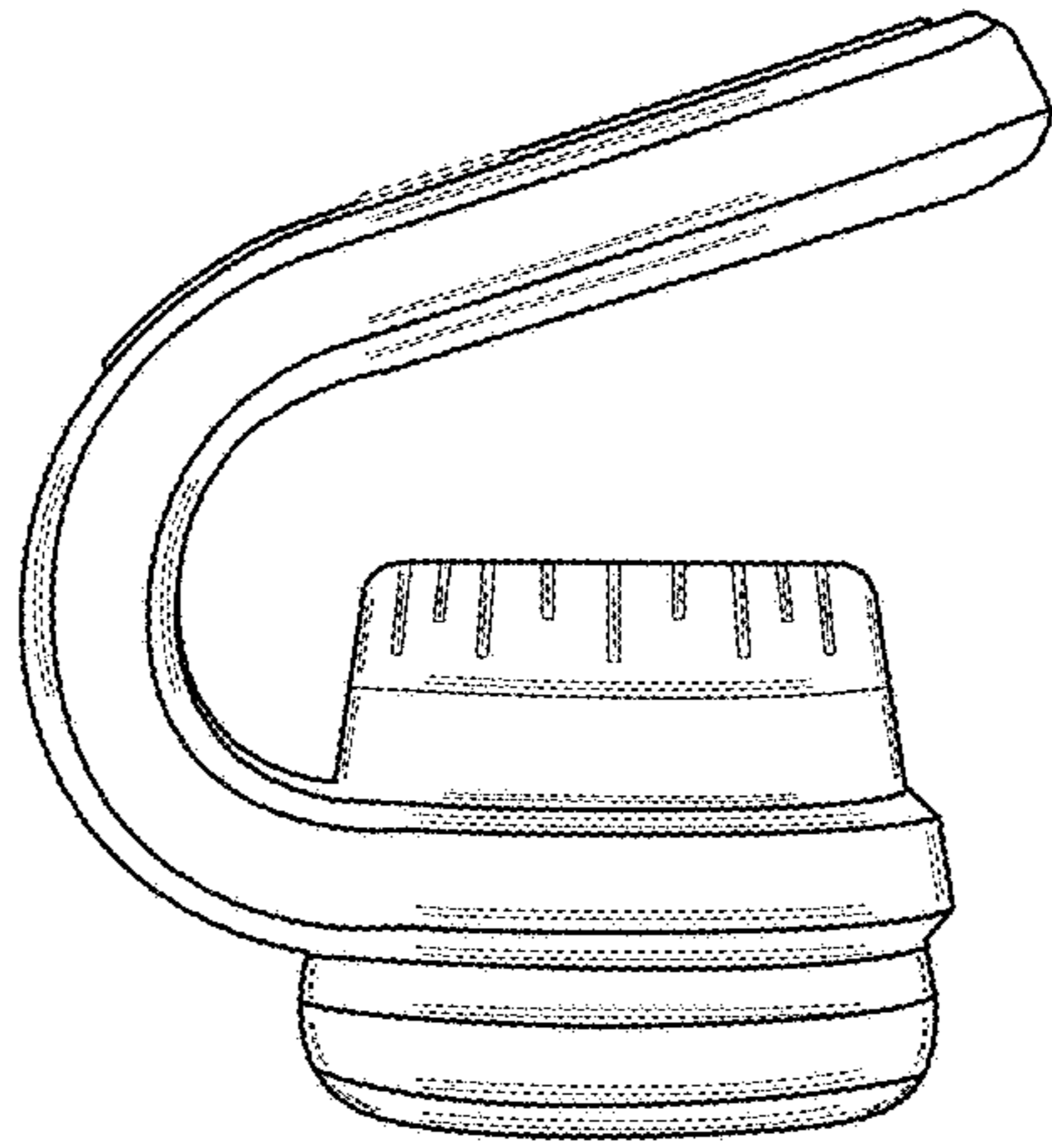


FIG. 2

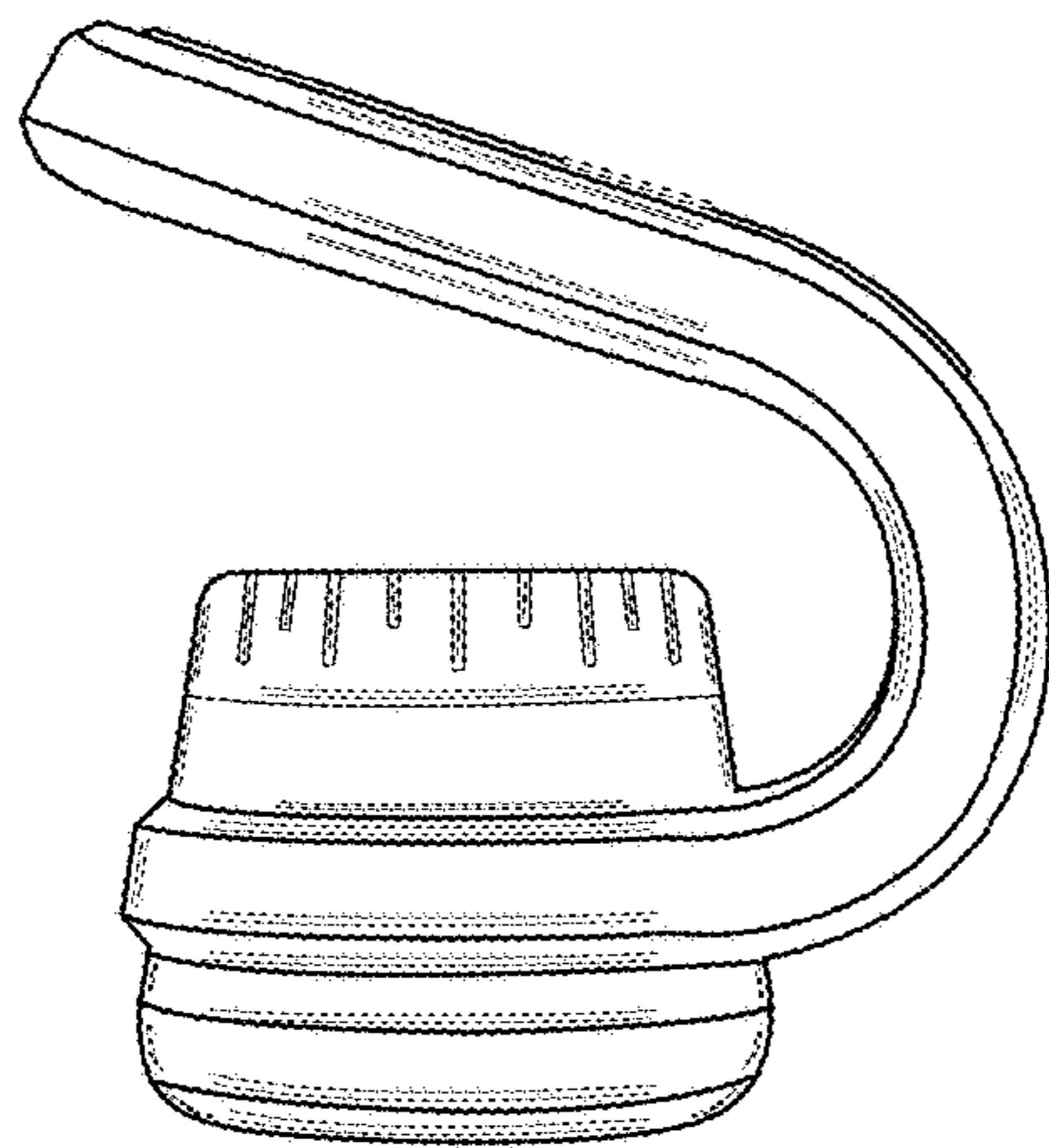


FIG. 3

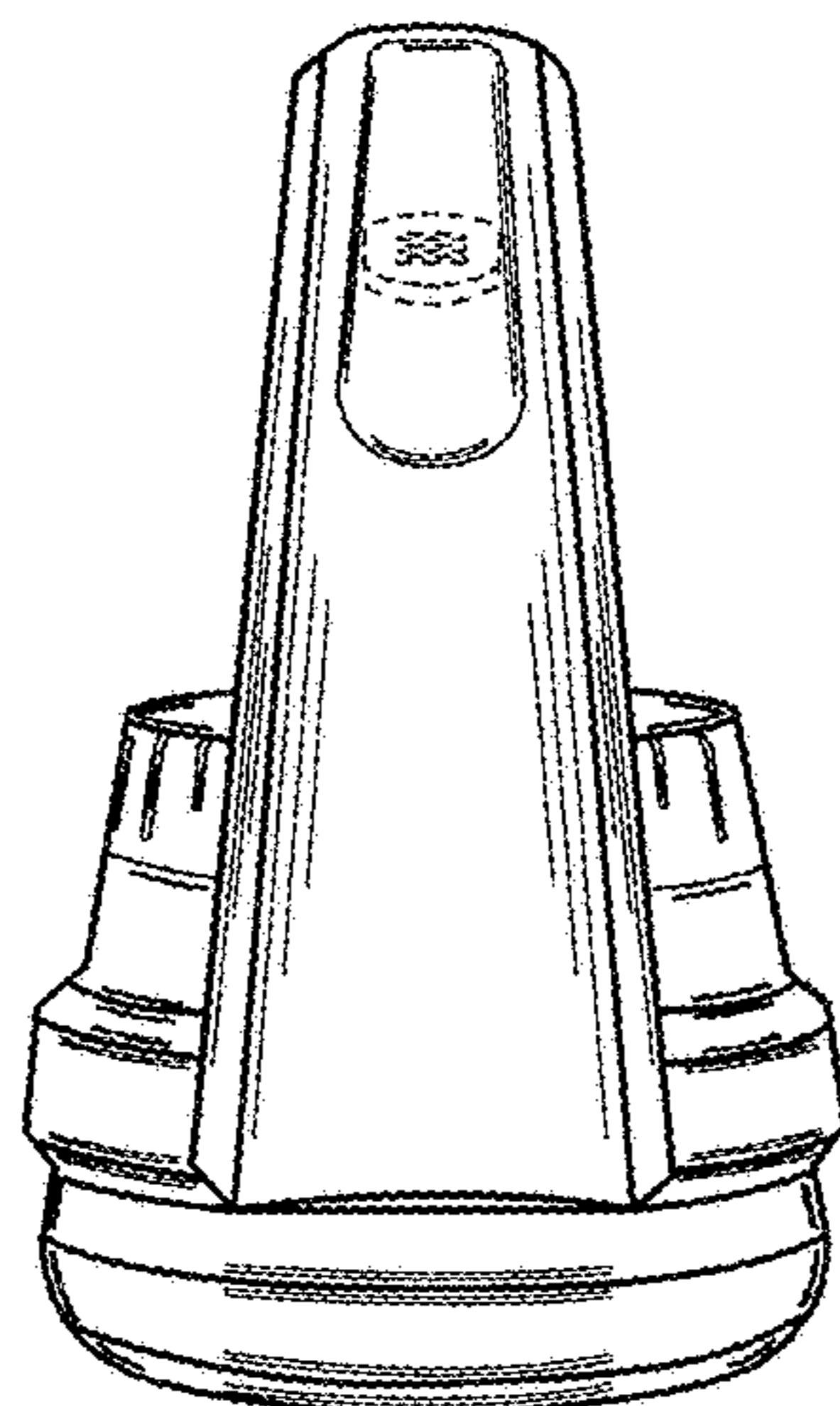


FIG. 4

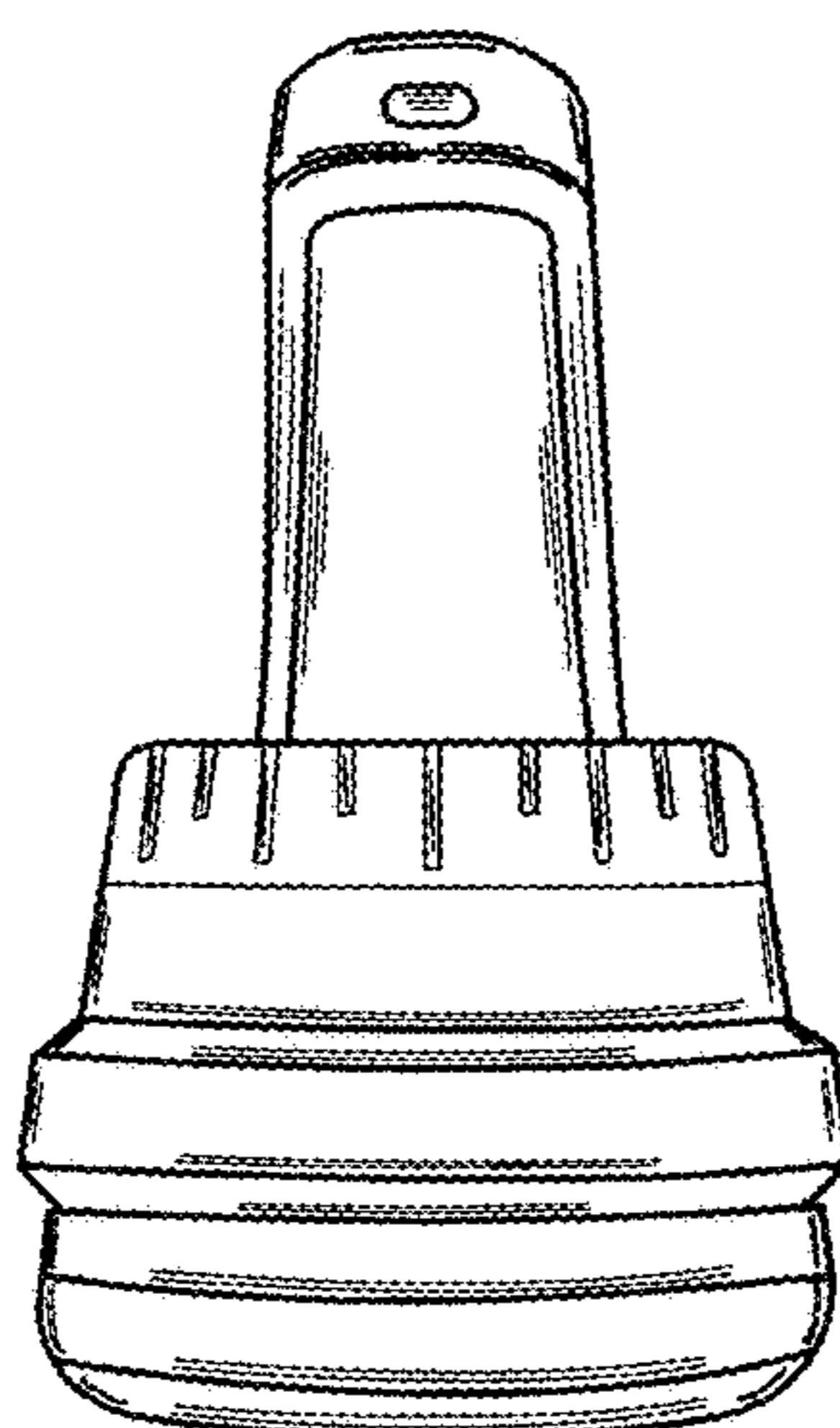


FIG. 5

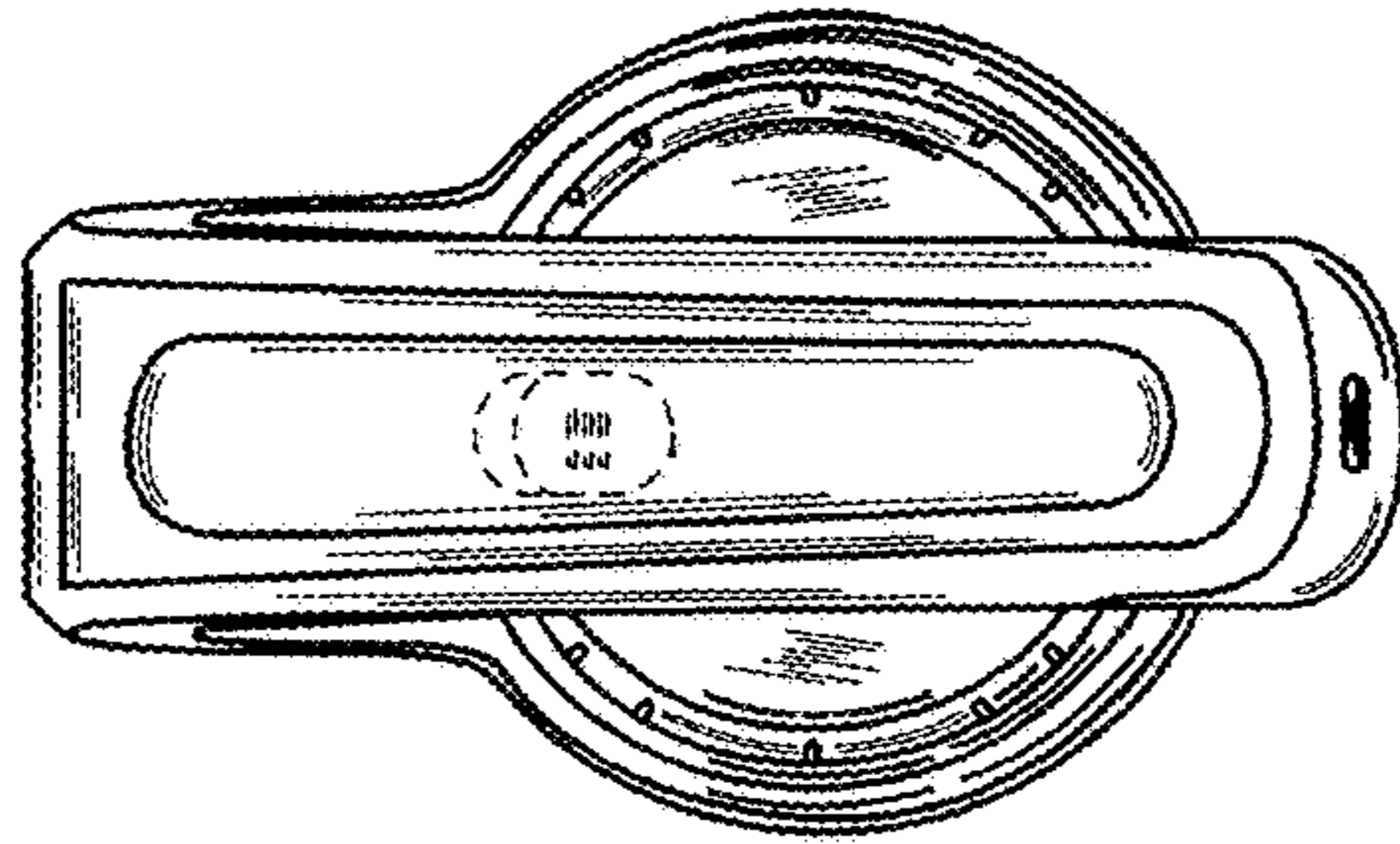


FIG. 6

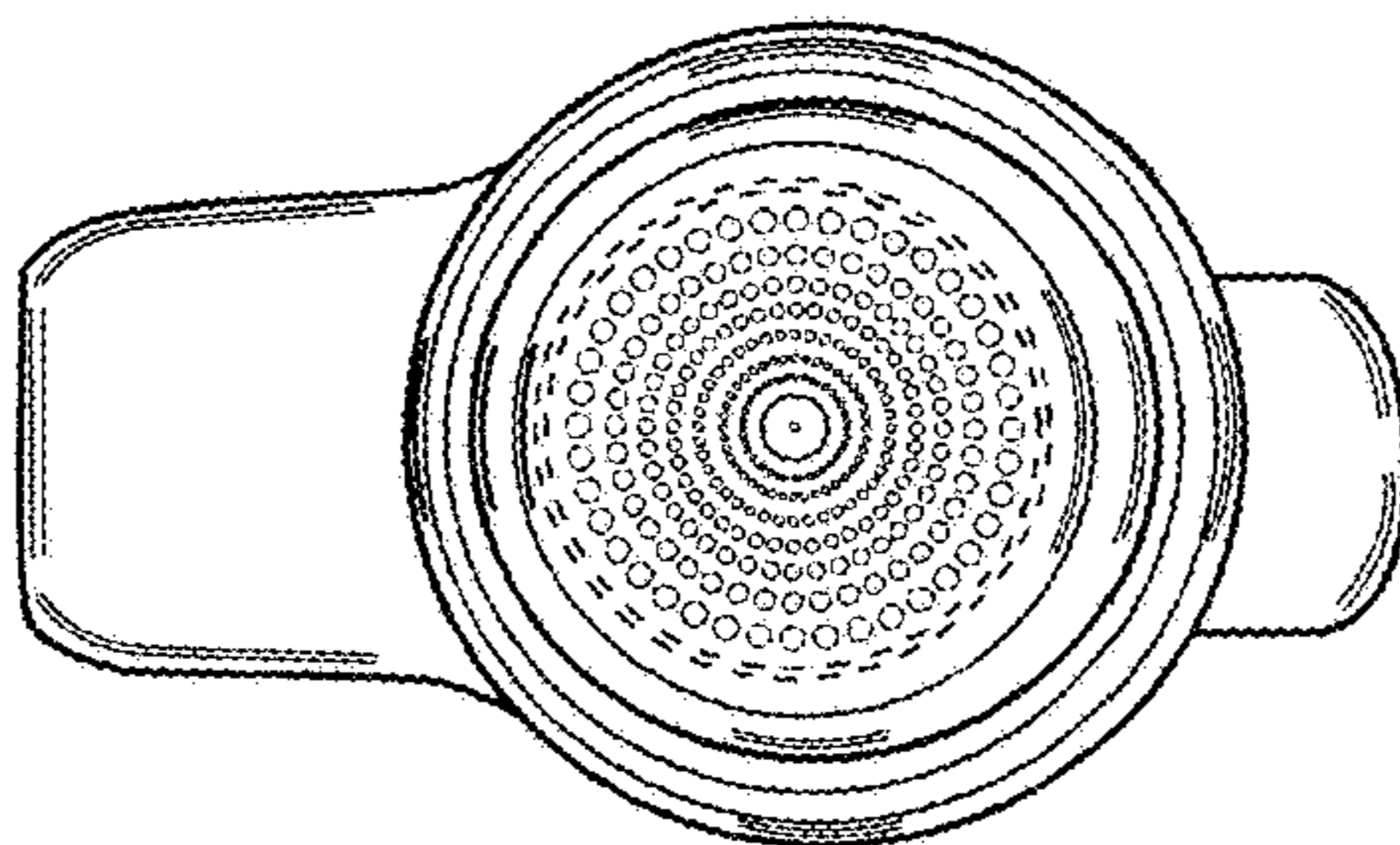


FIG. 7