



US00D866070S

(12) **United States Design Patent** (10) **Patent No.:** **US D866,070 S**  
**Long et al.** (45) **Date of Patent:** **\*\* Nov. 5, 2019**

(54) **RAZOR CARTRIDGE**

(71) Applicant: **The Gillette Company LLC**, Boston, MA (US)

(72) Inventors: **Matthew Michael Long**, Methuen, MA (US); **Dean Bernard Sheehan, II**, Billerica, MA (US)

(73) Assignee: **The Gillette Company LLC**, Boston, MA (US)

(\*\*) Term: **15 Years**

(21) Appl. No.: **29/637,563**

(22) Filed: **Feb. 20, 2018**

(51) **LOC (12) Cl.** ..... **28-03**

(52) **U.S. Cl.**  
USPC ..... **D28/47**

(58) **Field of Classification Search**  
USPC ..... D28/45-48  
CPC ..... B26B 21/00-06; B26B 21/08-227; B26B 21/24-28; B26B 21/30-38; B26B 21/40-4093; B26B 21/52-528  
See application file for complete search history.

(56) **References Cited**

**U.S. PATENT DOCUMENTS**

5,890,296 A \* 4/1999 Metcalf ..... B26B 21/225  
30/526  
D514,253 S \* 1/2006 Gray ..... D28/47

D633,254 S \* 2/2011 Witkus ..... D28/47  
D741,009 S \* 10/2015 Bruno ..... D28/47  
D741,011 S \* 10/2015 Forti ..... D28/47  
D785,248 S \* 4/2017 Bruno ..... D28/47  
D797,372 S \* 9/2017 Forti ..... D28/46  
D806,950 S \* 1/2018 Robertson ..... D28/46

\* cited by examiner

*Primary Examiner* — Jennifer Rivard

(74) *Attorney, Agent, or Firm* — Joanne N. Pappas; Kevin C. Johnson

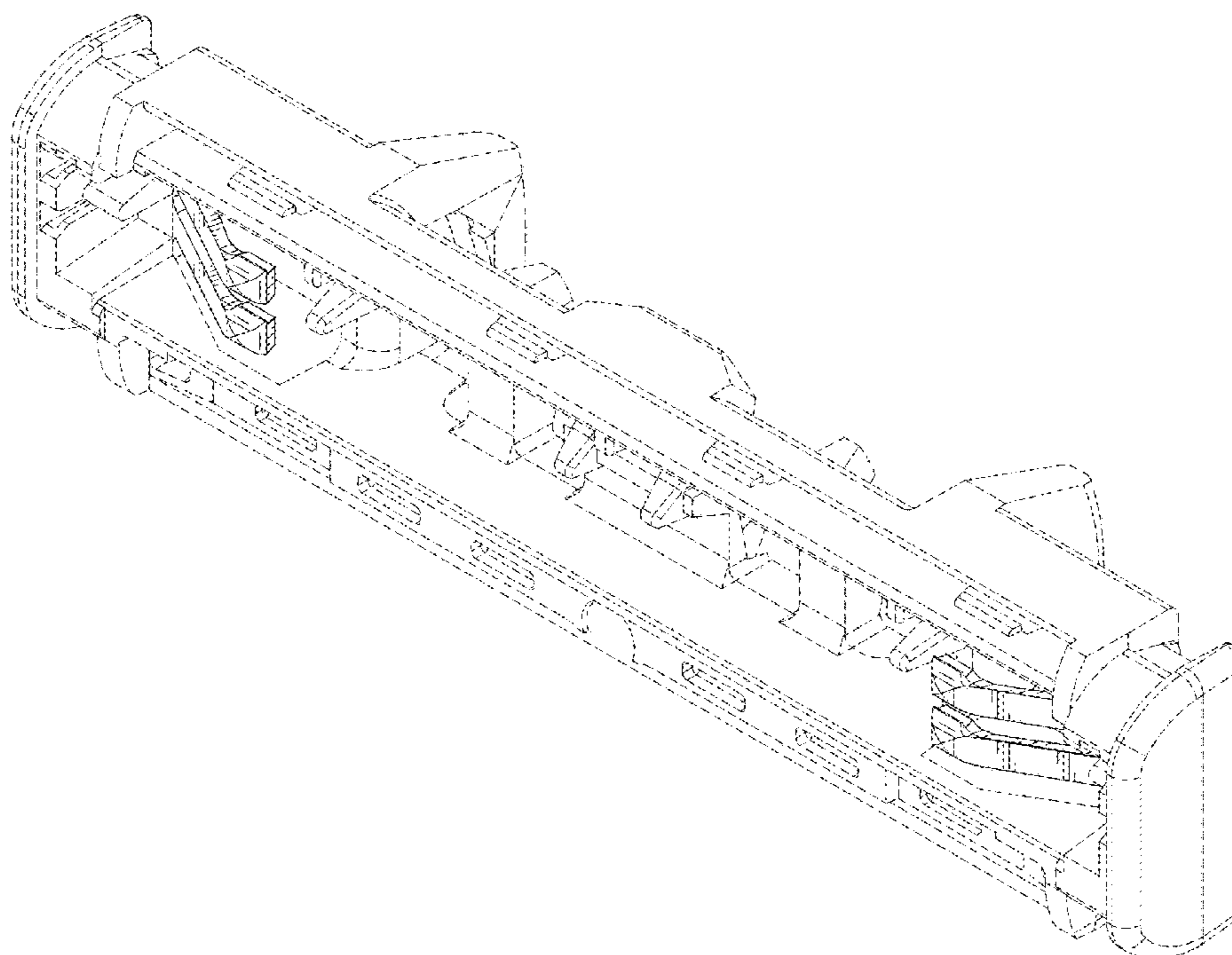
(57) **CLAIM**

The ornamental design for a razor cartridge, as shown and described.

**DESCRIPTION**

FIG. 1 is a perspective view of a design for a razor cartridge of the present invention;  
FIG. 2 is a front view thereof;  
FIG. 3 is a back view thereof;  
FIG. 4 is a right side view thereof;  
FIG. 5 is a left side view thereof;  
FIG. 6 is a top view thereof;  
FIG. 7 is a bottom view thereof; and,  
FIG. 8 is another perspective view thereof.  
The broken lines illustrate portions of the razor cartridge and form no part of the claimed design.

**1 Claim, 5 Drawing Sheets**



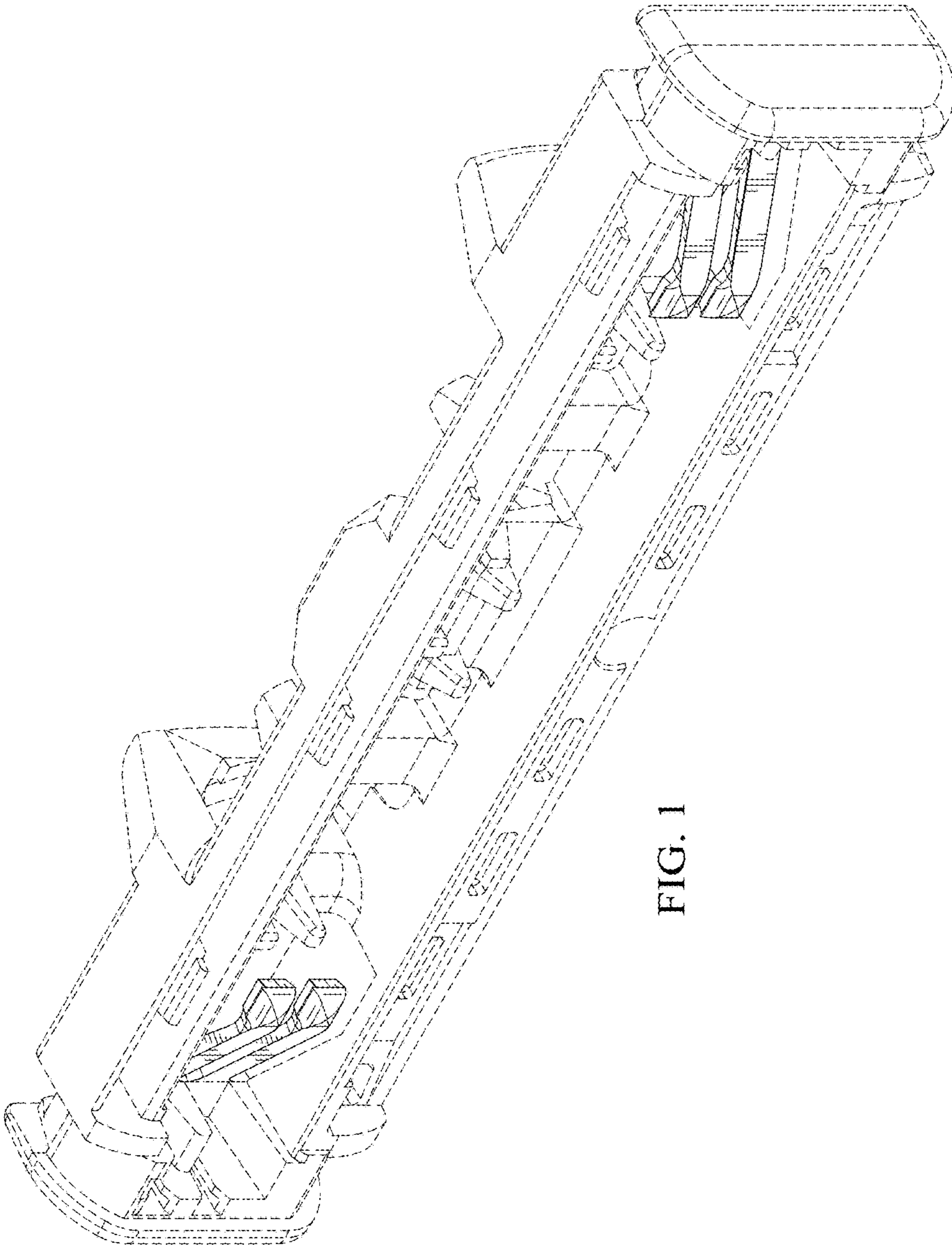


FIG. 1

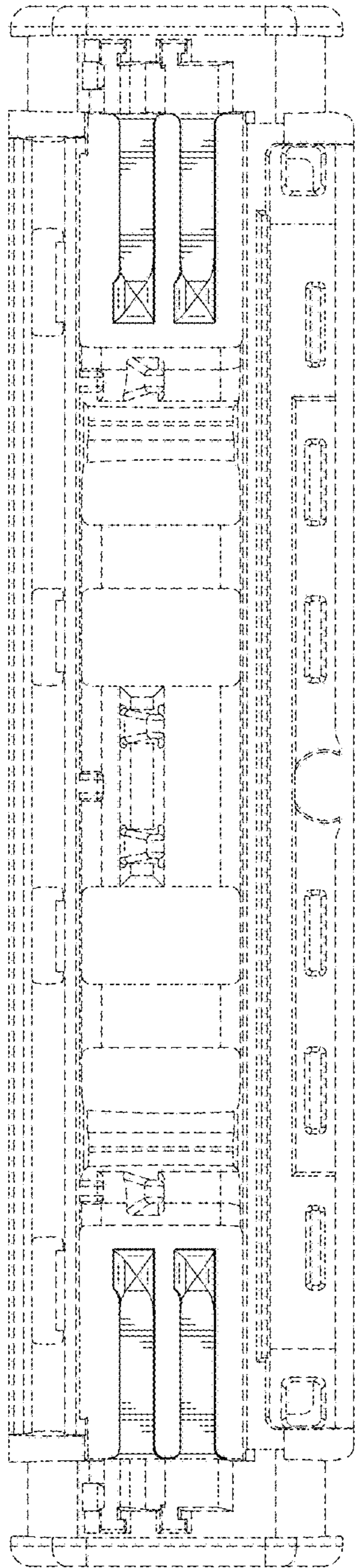


FIG. 2

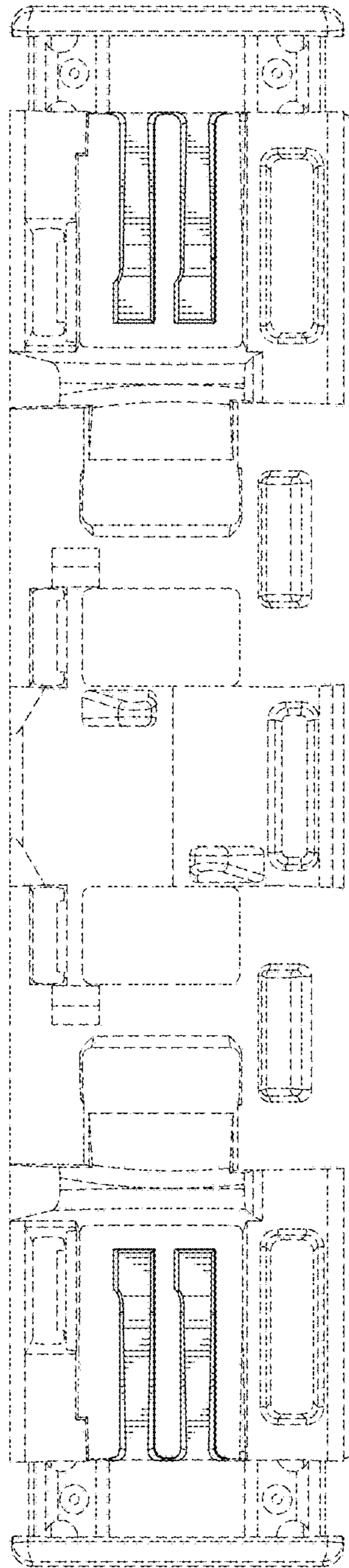


FIG. 3

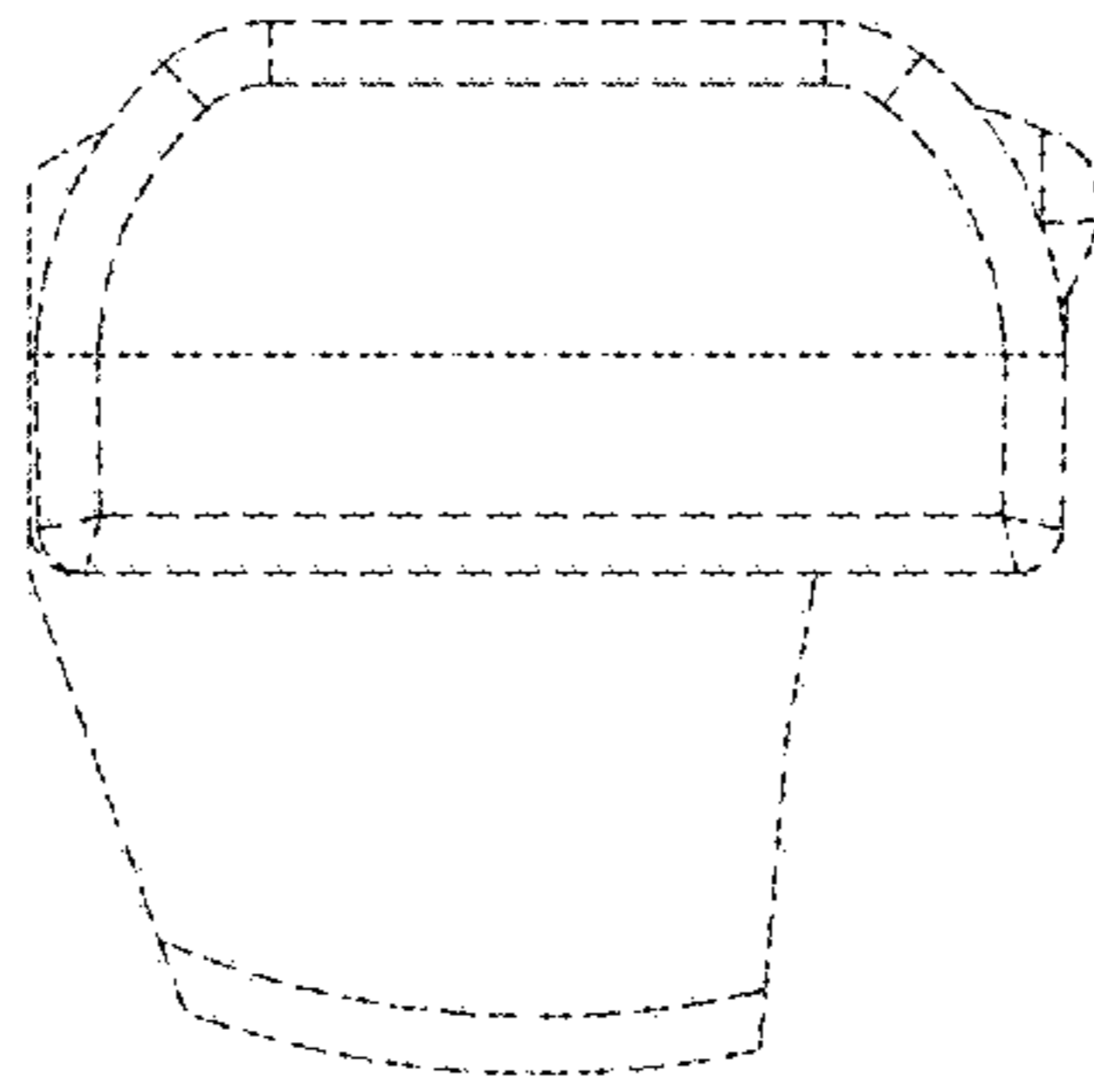


FIG. 5

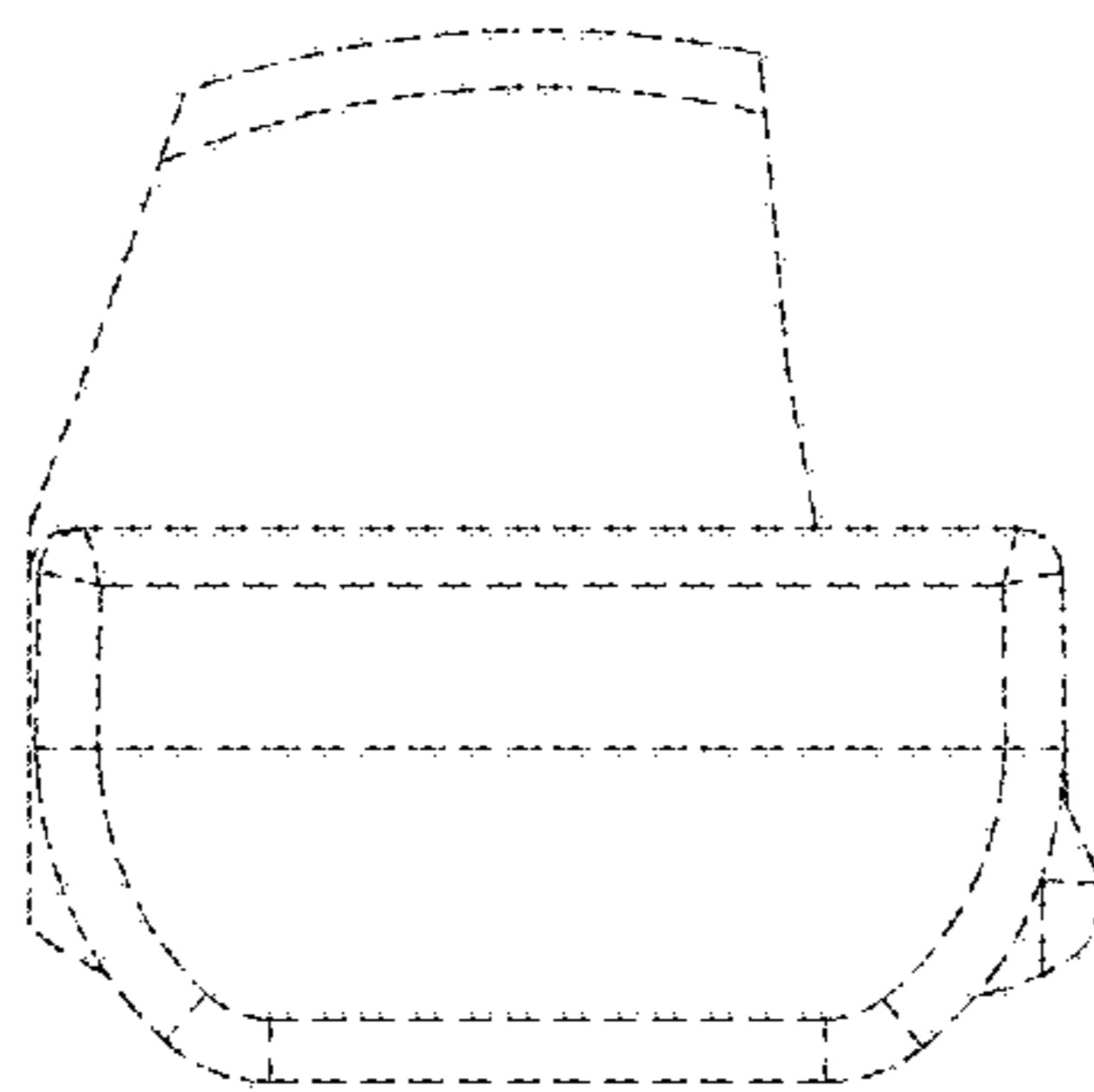


FIG. 4

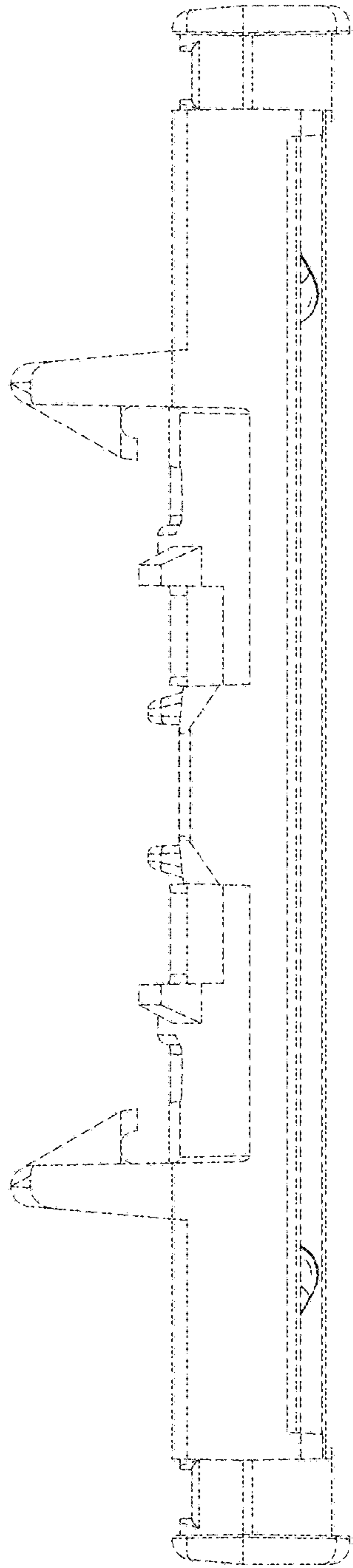


FIG. 6

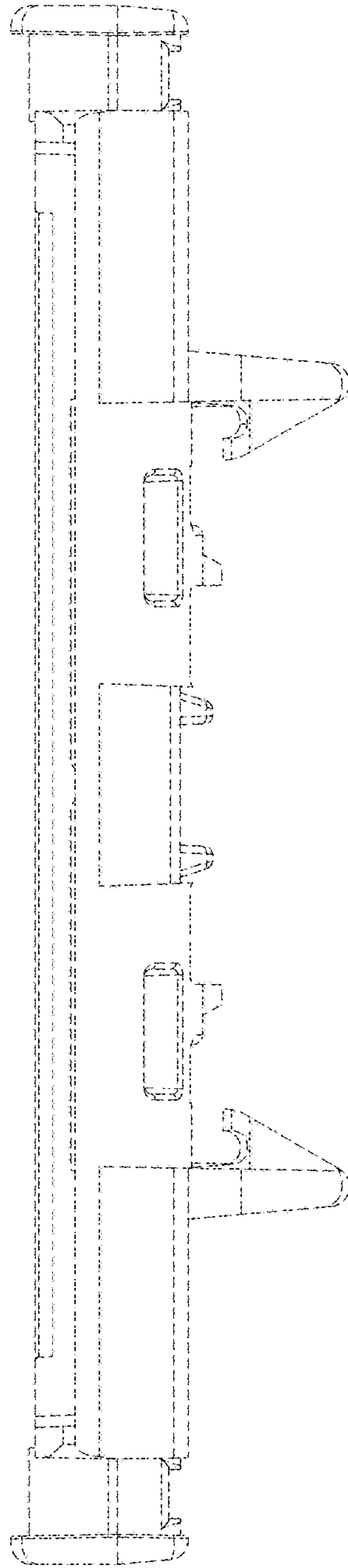


FIG. 7

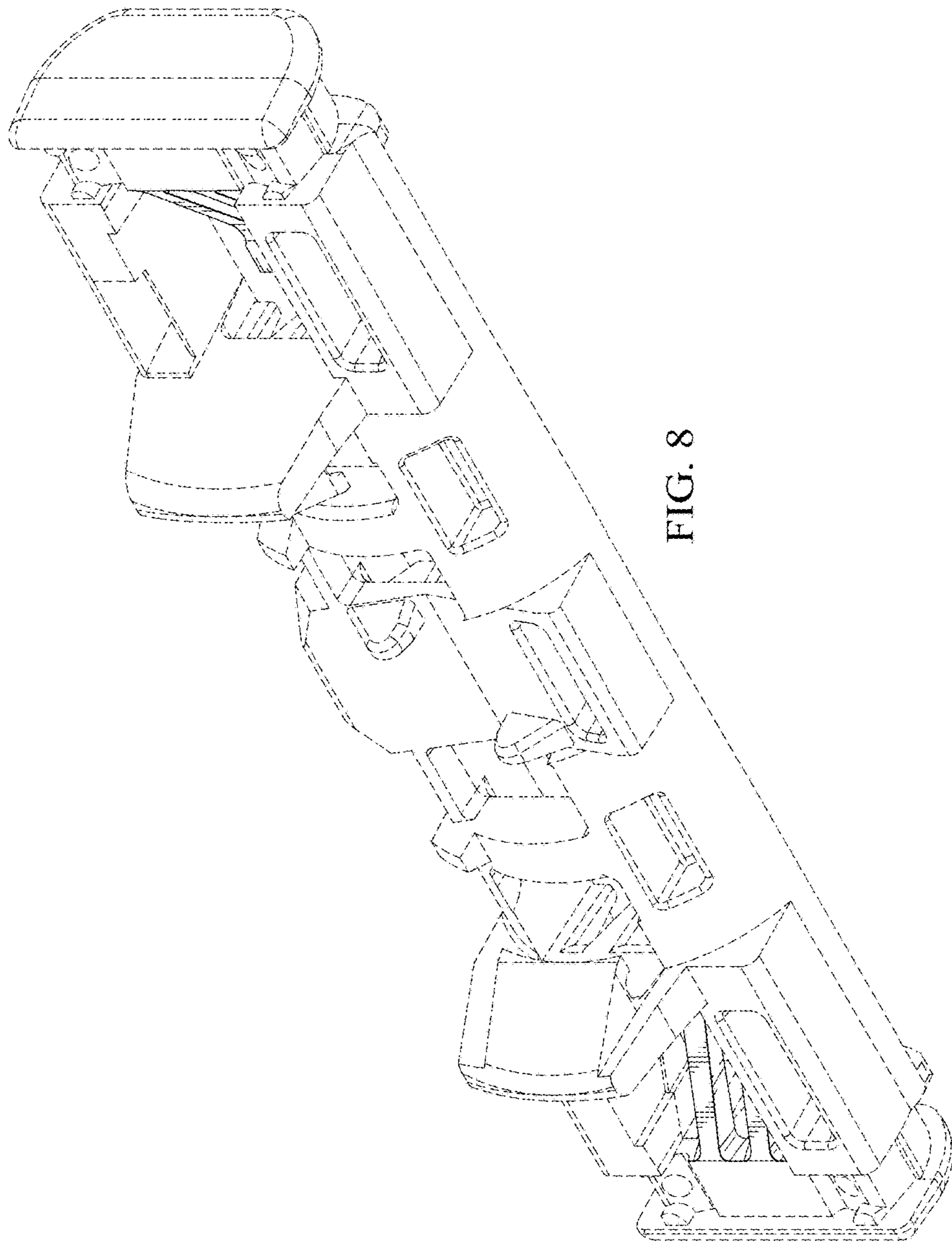


FIG. 8