



US00D866069S

(12) **United States Design Patent**
Long et al.

(10) **Patent No.:** **US D866,069 S**

(45) **Date of Patent:** **** Nov. 5, 2019**

(54) **RAZOR CARTRIDGE**

(71) Applicant: **The Gillette Company LLC**, Boston, MA (US)

(72) Inventors: **Matthew Michael Long**, Methuen, MA (US); **Dean Bernard Sheehan, II**, Billerica, MA (US)

(73) Assignee: **The Gillette Company LLC**, Boston, MA (US)

(**) Term: **15 Years**

(21) Appl. No.: **29/637,551**

(22) Filed: **Feb. 20, 2018**

(51) **LOC (12) Cl.** **28-03**

(52) **U.S. Cl.**
USPC **D28/47**

(58) **Field of Classification Search**
USPC D28/45-48
CPC B26B 21/00-06; B26B 21/08-227; B26B 21/24-28; B26B 21/30-38; B26B 21/40-4093; B26B 21/52-528
See application file for complete search history.

(56) **References Cited**

U.S. PATENT DOCUMENTS

5,890,296 A * 4/1999 Metcalf B26B 21/225
30/526
D514,253 S * 1/2006 Gray D28/47

D633,254 S * 2/2011 Witkus D28/47
D741,009 S * 10/2015 Bruno D28/47
D741,011 S * 10/2015 Forti D28/47
D785,248 S * 4/2017 Bruno D28/47
D797,372 S * 9/2017 Forti D28/46
D806,950 S * 1/2018 Robertson D28/46

* cited by examiner

Primary Examiner — Jennifer Rivard

(74) *Attorney, Agent, or Firm* — Joanne N. Pappas; Kevin C. Johnson

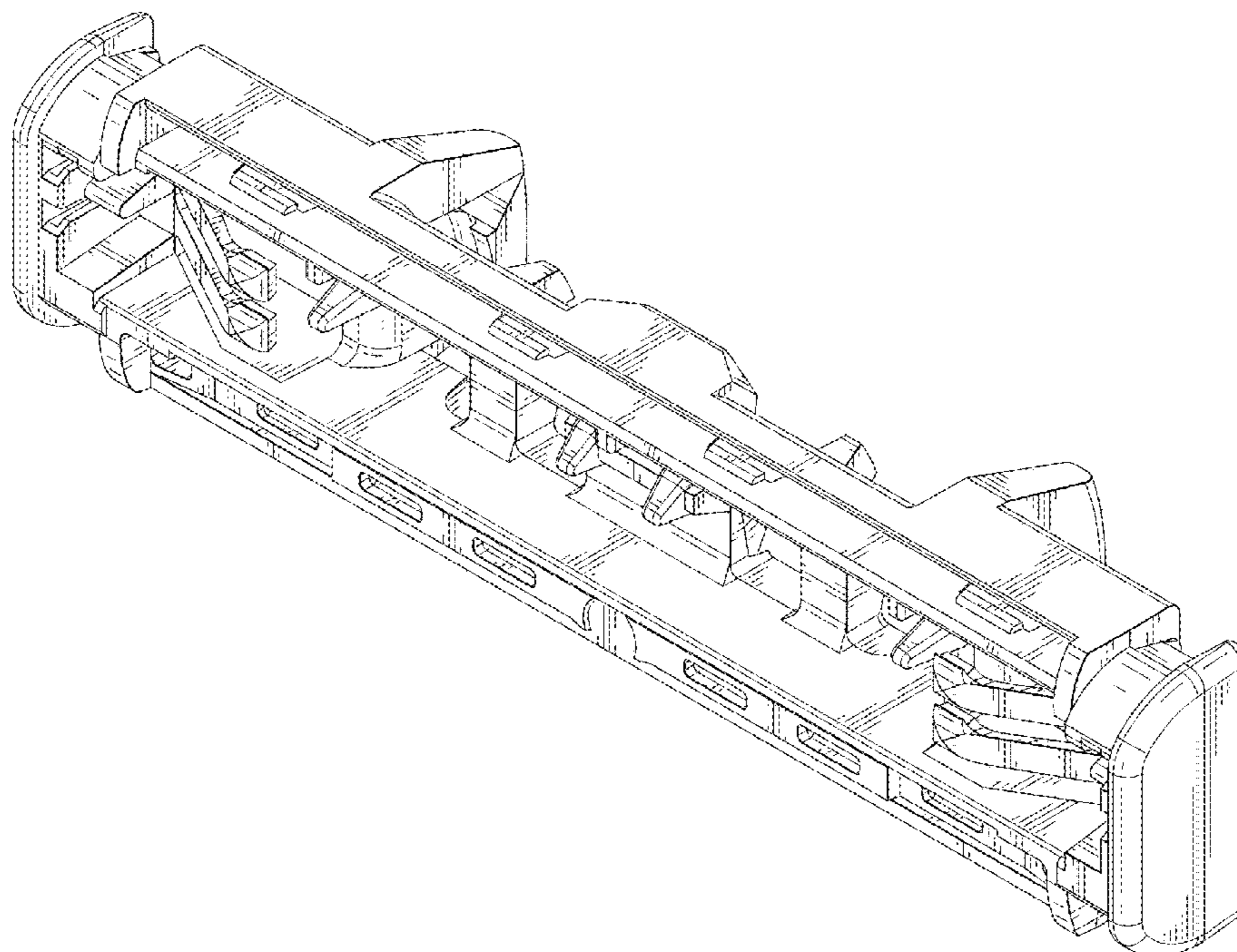
(57) **CLAIM**

The ornamental design for a razor cartridge, as shown and described.

DESCRIPTION

FIG. 1 is a perspective view of a design for a razor cartridge of the present invention;
FIG. 2 is a front view thereof;
FIG. 3 is a back view thereof;
FIG. 4 is a right side view thereof;
FIG. 5 is a left side view thereof;
FIG. 6 is a top view thereof;
FIG. 7 is a bottom view thereof; and,
FIG. 8 is another perspective view thereof.

1 Claim, 5 Drawing Sheets



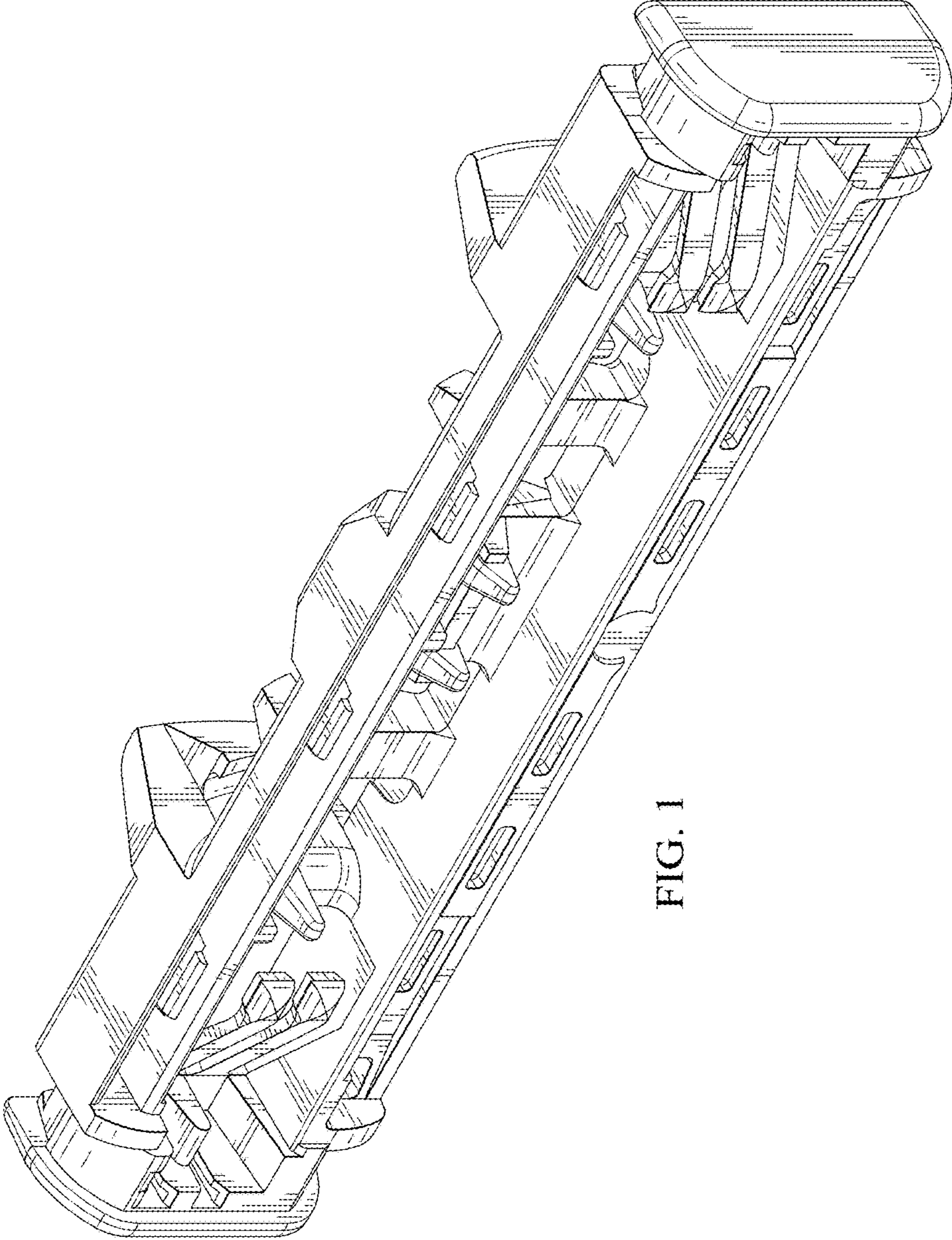


FIG. 1

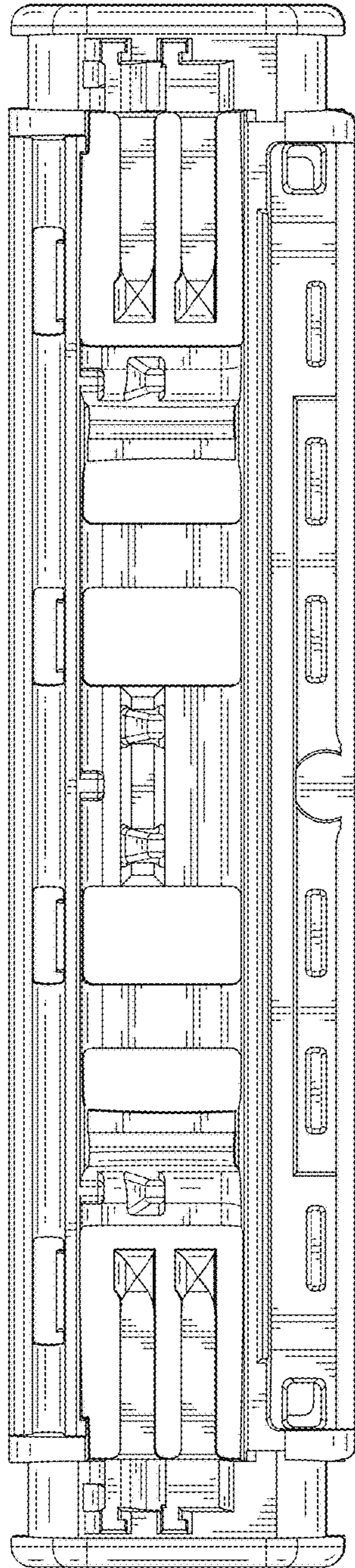


FIG. 2

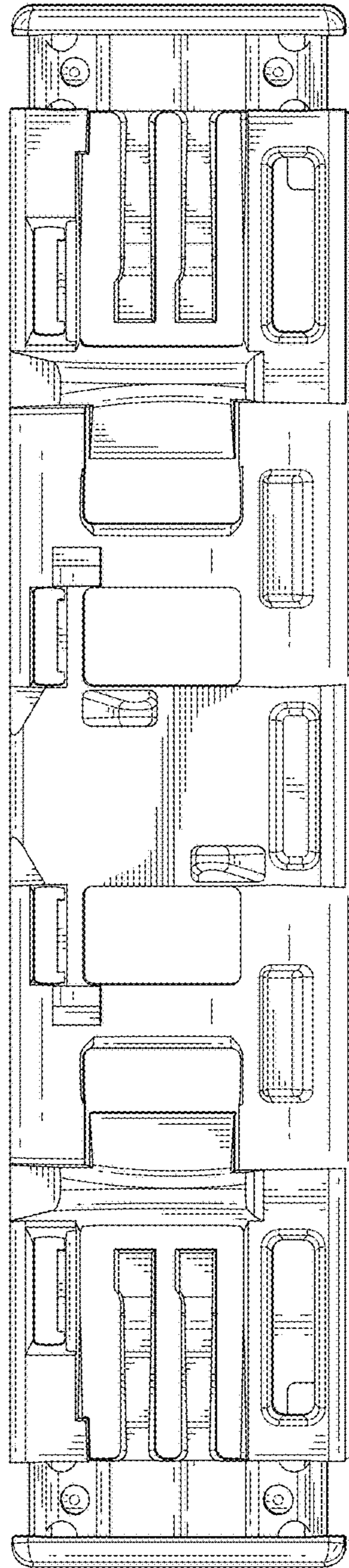


FIG. 3

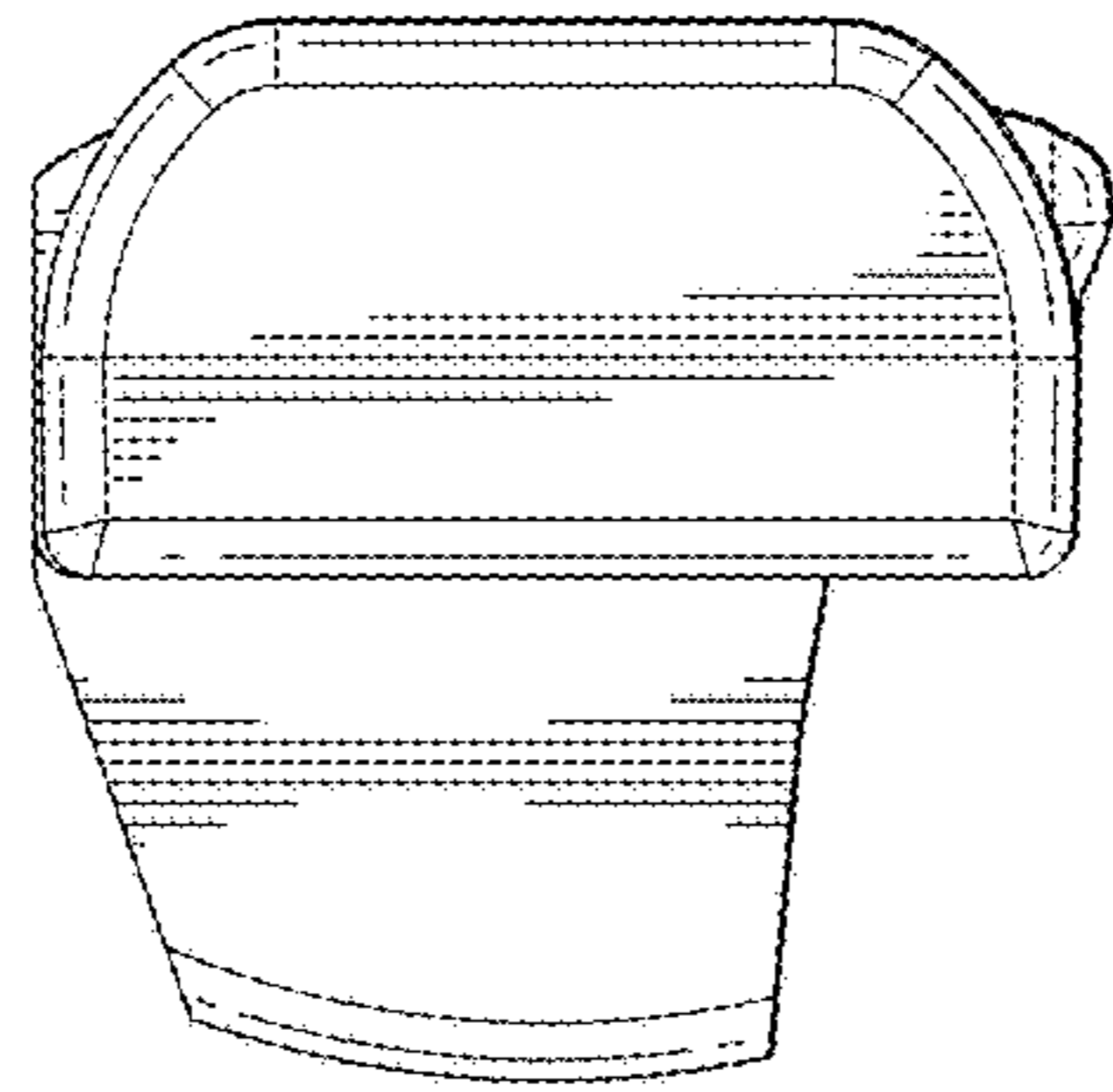


FIG. 5

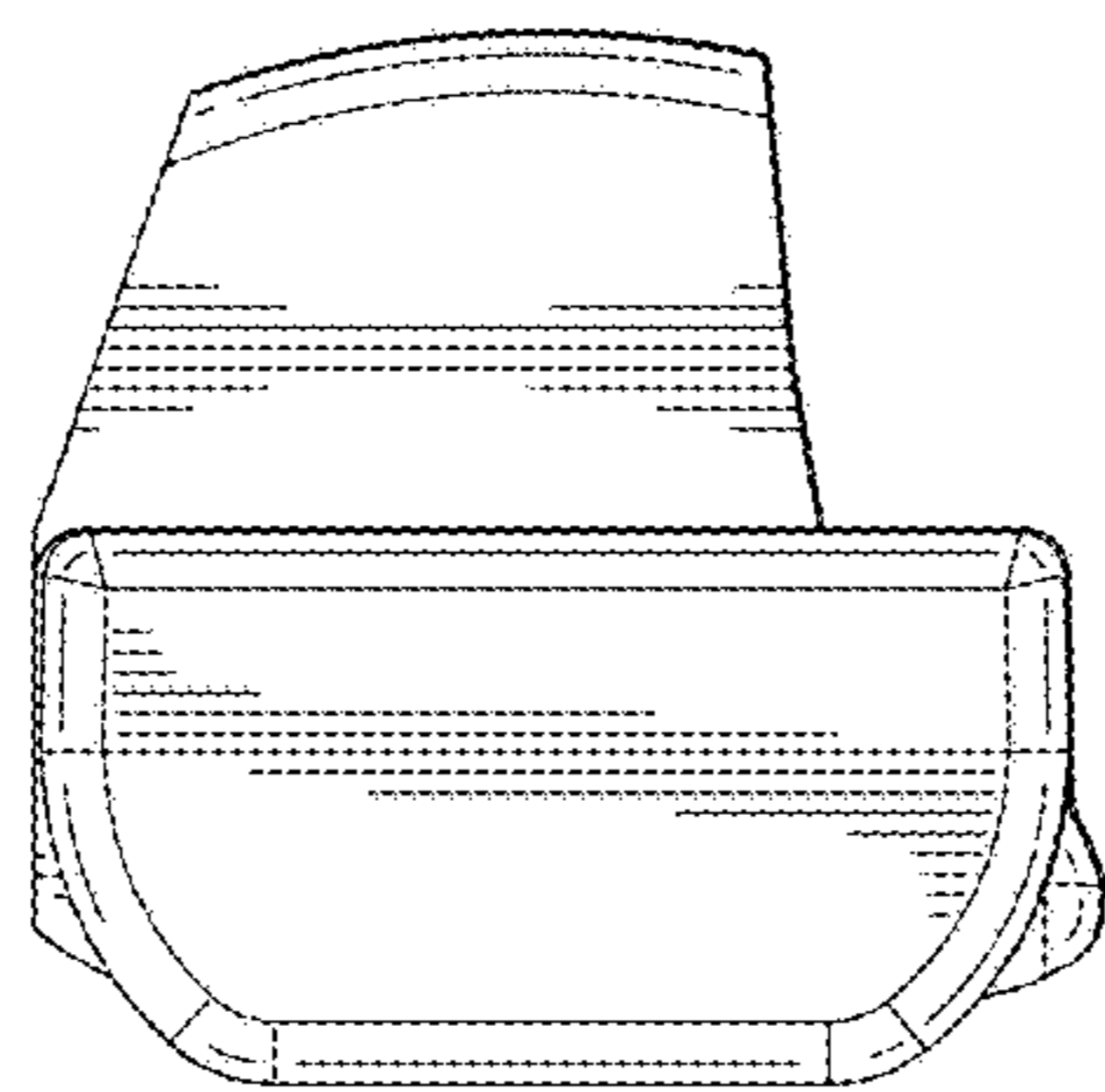


FIG. 4

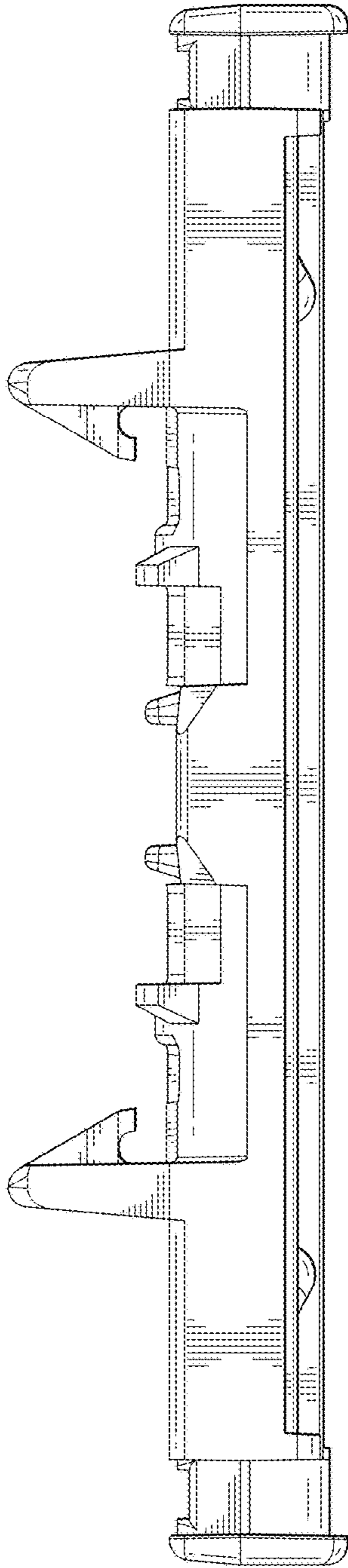


FIG. 6

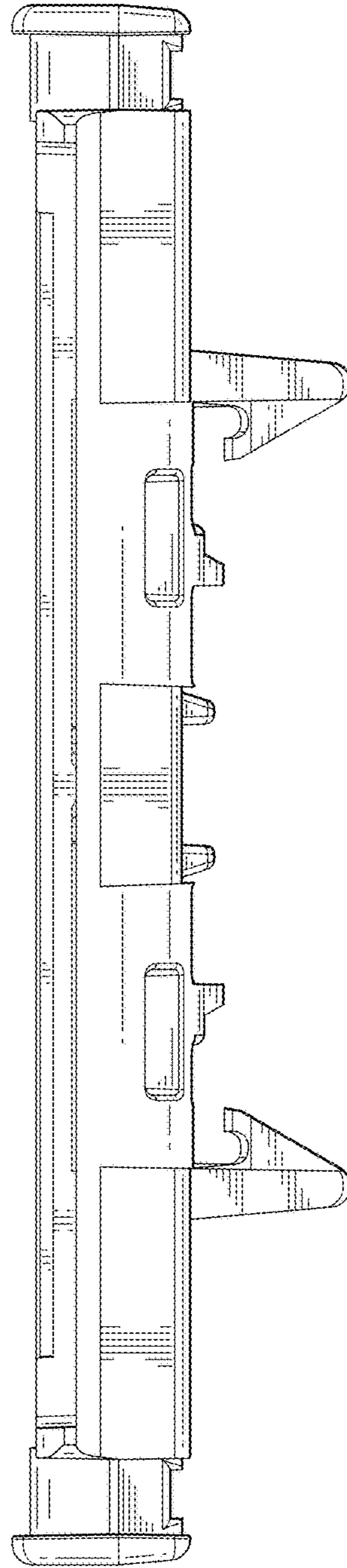


FIG. 7

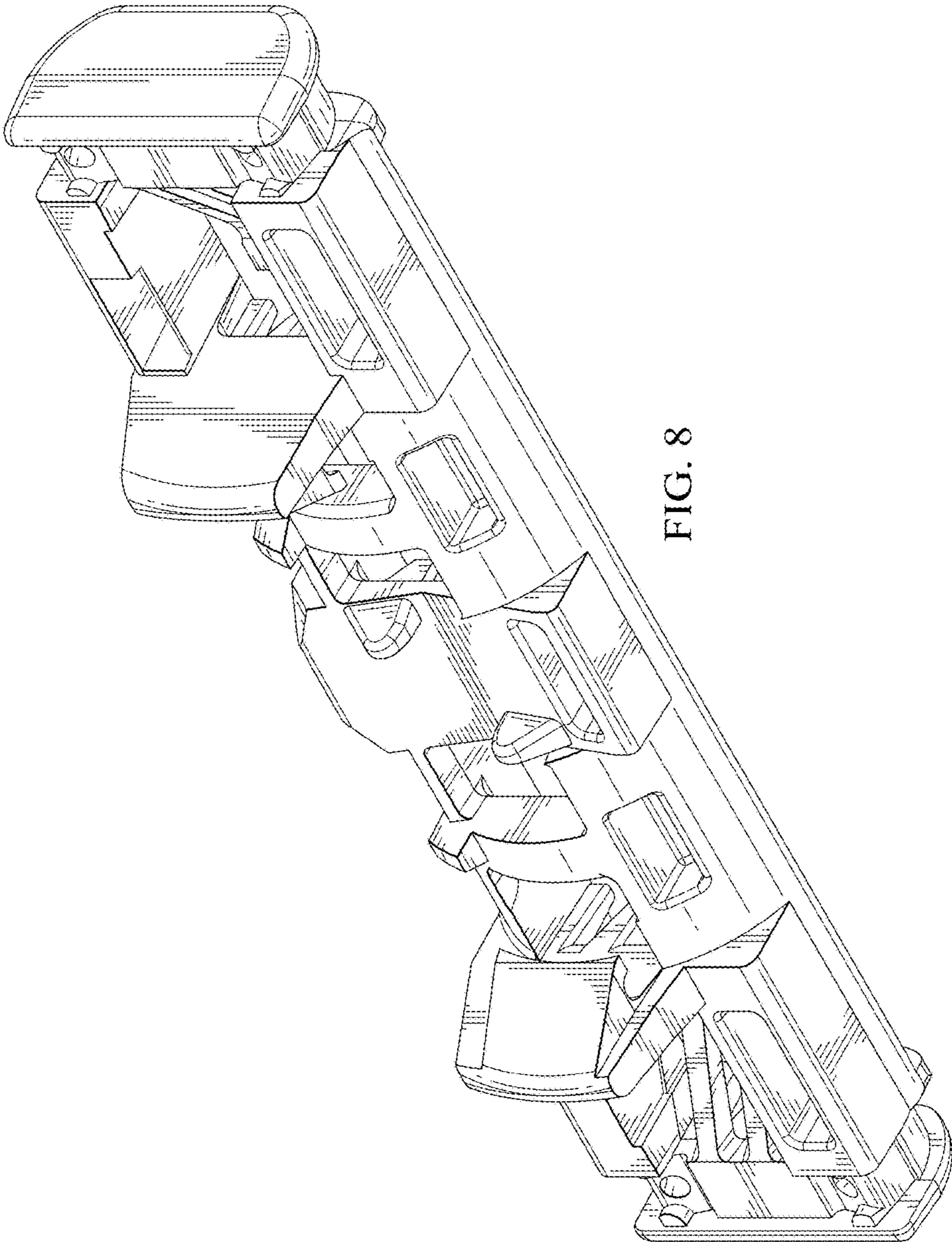


FIG. 8