

US00D866067S

(12) **United States Design Patent** (10) **Patent No.:** **US D866,067 S**  
**Thompson et al.** (45) **Date of Patent:** **\*\* Nov. 5, 2019**

(54) **HANDHELD HAIR STYLING DEVICE**

CPC ..... A45D 20/00; A45D 20/08; A45D 20/10;  
A45D 2020/128

(71) Applicant: **Dyson Technology Limited**, Wiltshire (GB)

See application file for complete search history.

(72) Inventors: **Daniel John Thompson**, Bristol (GB); **Charles Franklin Gale**, Bristol (GB); **Alexander Stuart Knox**, Swindon (GB); **Robert Mark Brett Coulton**, Bristol (GB); **Chong Wei Pang**, Singapore (SG); **Stuart James Steele**, Bristol (GB); **Andrew Drummond Flynn**, Bristol (GB); **Britta Jessica Stockinger**, Bath (GB)

(56) **References Cited**

U.S. PATENT DOCUMENTS

D758,010 S *	5/2016	Bates .....	D28/13
D758,011 S *	5/2016	Gammack .....	D28/13
D782,731 S *	3/2017	Smith .....	D28/13
D785,240 S *	4/2017	Smith .....	D28/13
D791,407 S *	7/2017	Smith .....	D28/13
D850,716 S *	6/2019	Jin .....	D28/13

\* cited by examiner

*Primary Examiner* — Zenia I Bennett

(73) Assignee: **Dyson Technology Limited**, Malmesbury, Wiltshire (GB)

(74) *Attorney, Agent, or Firm* — Morrison & Foerster LLP

(\*\*) Term: **15 Years**

(57) **CLAIM**

(21) Appl. No.: **29/666,334**

We claim the ornamental design for a handheld hair styling device, as shown and described.

(22) Filed: **Oct. 11, 2018**

**DESCRIPTION**

(30) **Foreign Application Priority Data**

Apr. 12, 2018 (GB) ..... 6033082

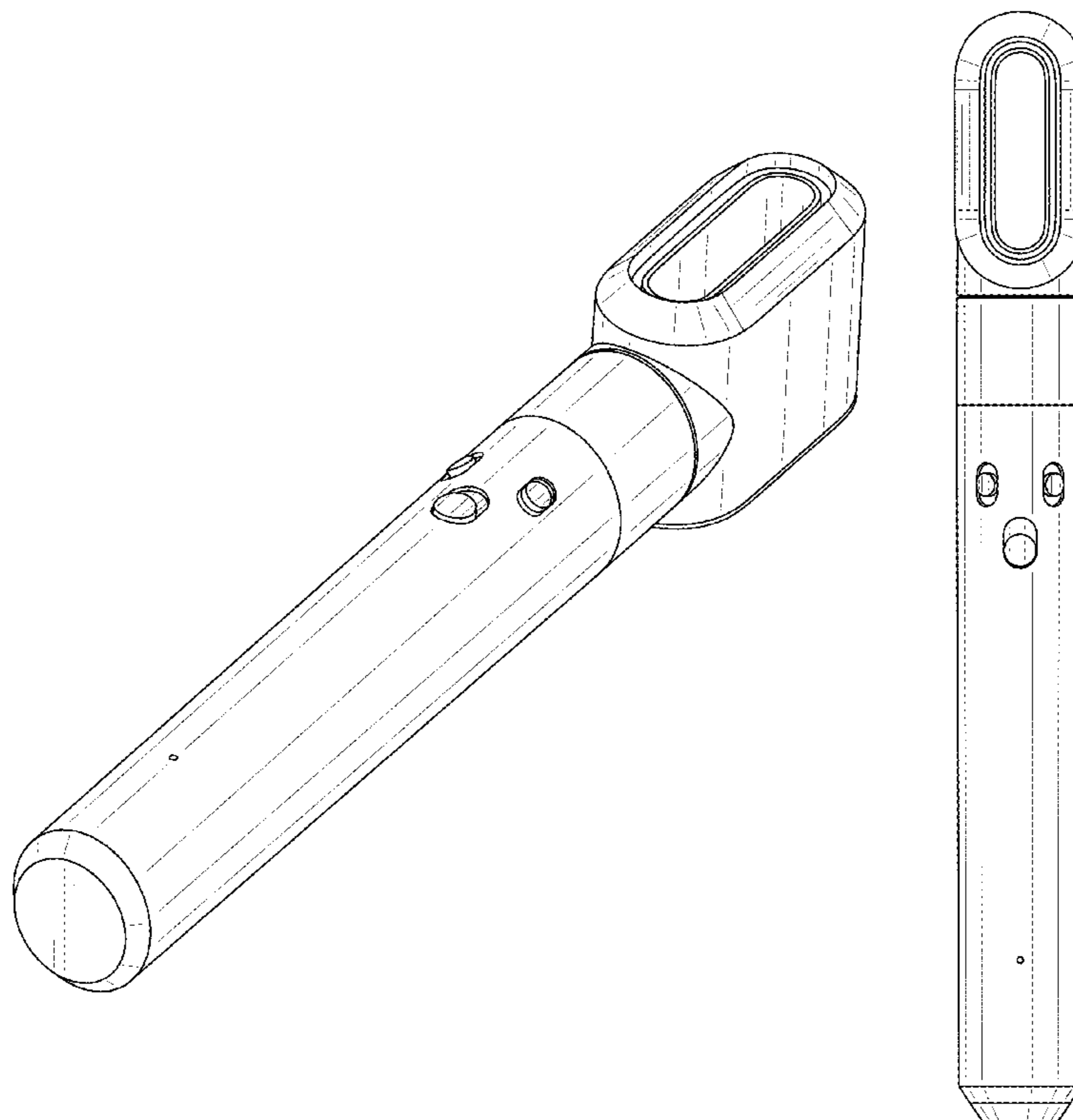
(51) **LOC (12) Cl.** ..... **28-03**

(52) **U.S. Cl.**  
USPC ..... **D28/13**

(58) **Field of Classification Search**  
USPC ..... D28/12-19

FIG. 1 is a front perspective view of a handheld hair styling device showing our new design;  
FIG. 2 is a front view thereof;  
FIG. 3 is a rear view thereof;  
FIG. 4 is a side view thereof;  
FIG. 5 is a side view of the opposite side of FIG. 4;  
FIG. 6 is a top view thereof; and,  
FIG. 7 is a bottom view thereof.

**1 Claim, 7 Drawing Sheets**



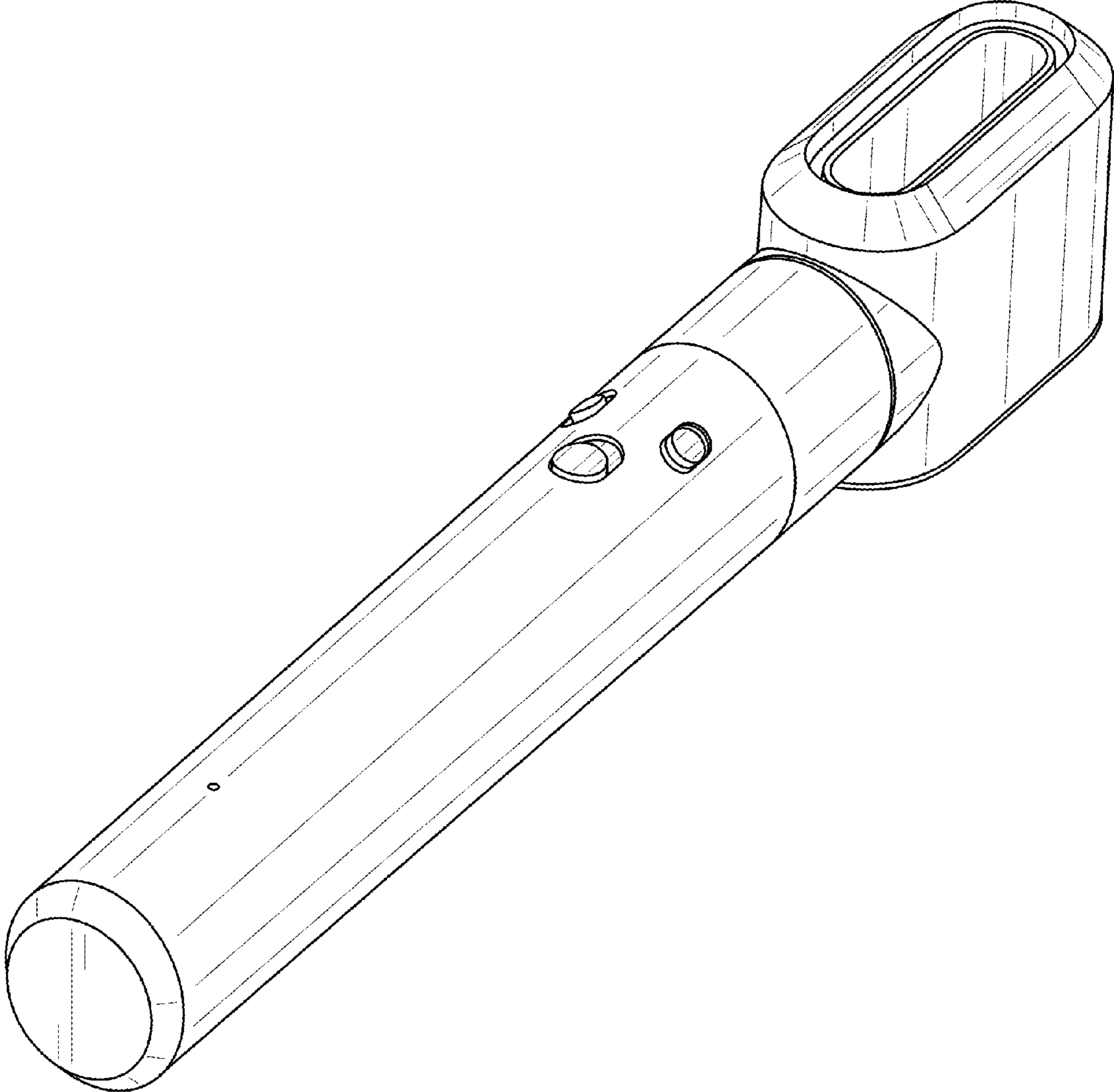


FIG. 1

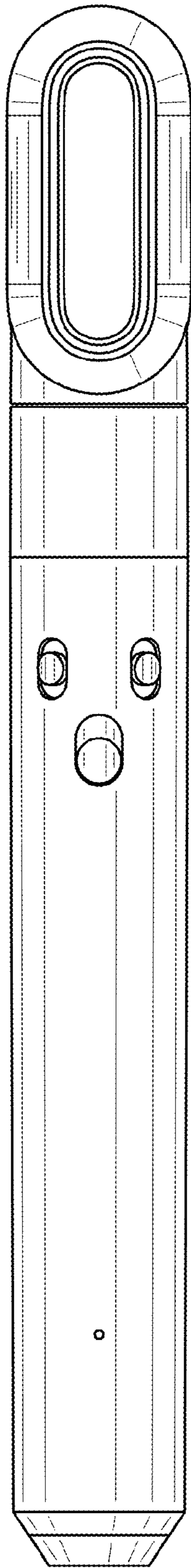


FIG. 2

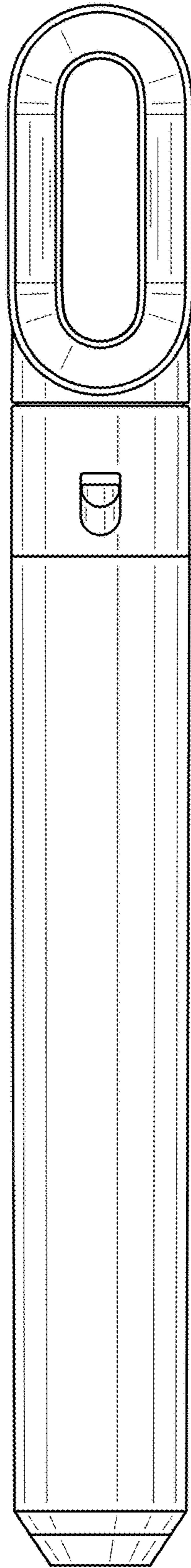


FIG. 3

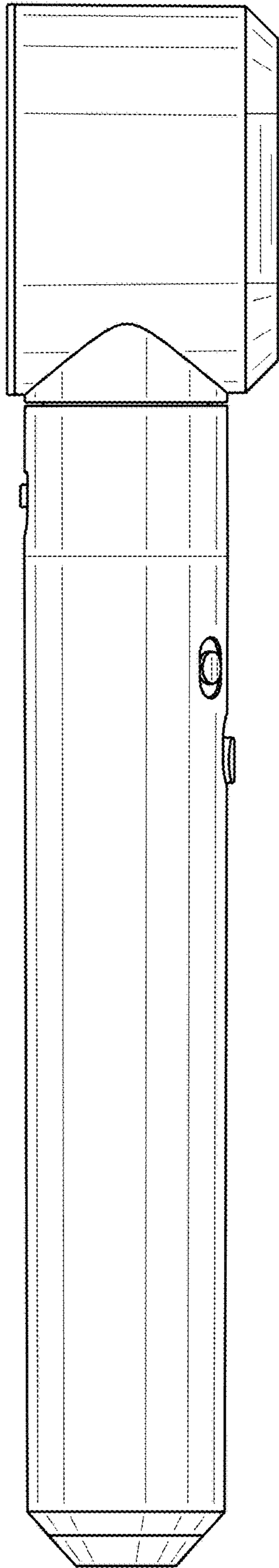


FIG. 4

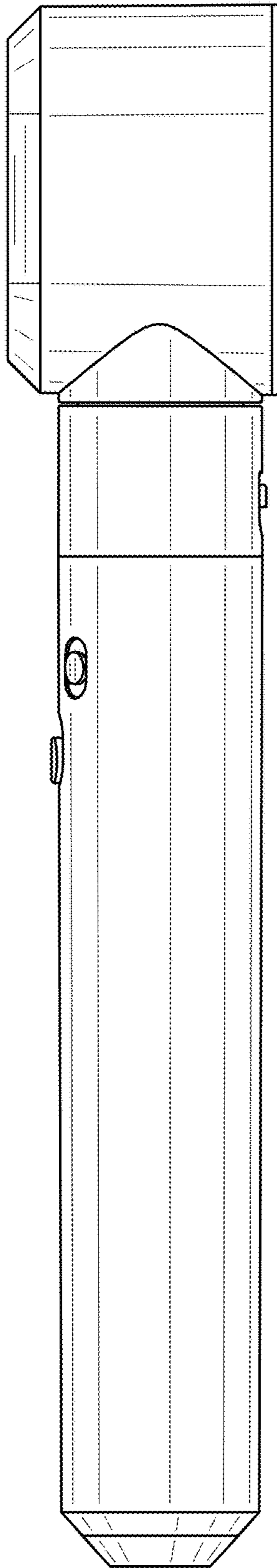


FIG. 5

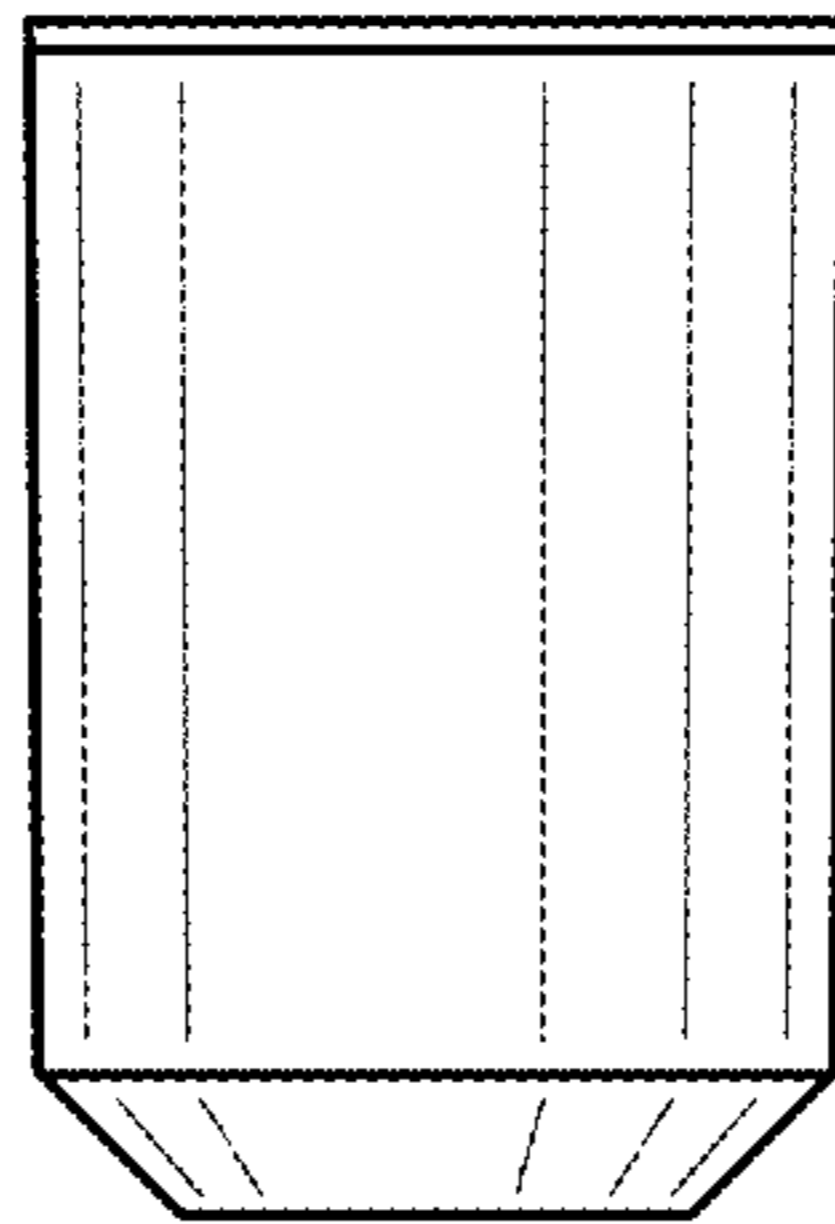


FIG. 6

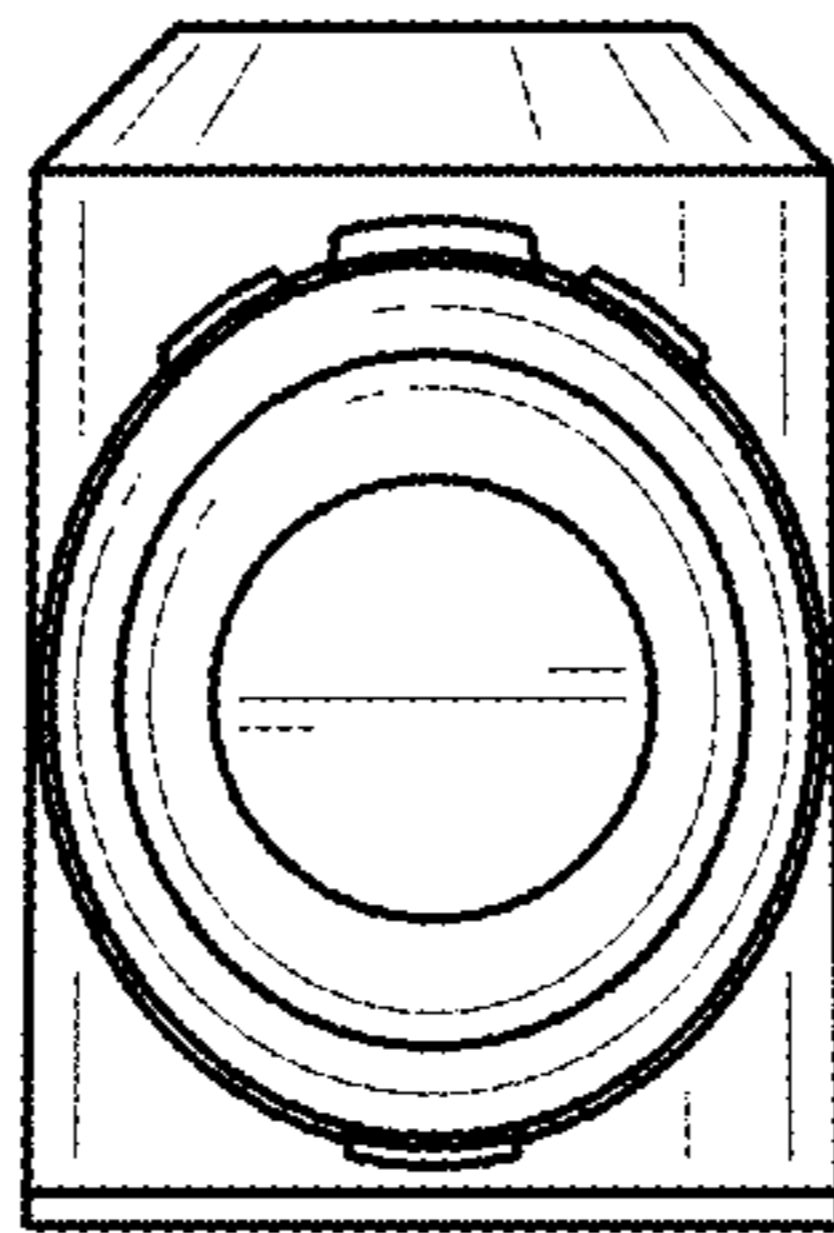


FIG. 7