

US00D866066S

(12) **United States Design Patent** (10) **Patent No.:** **US D866,066 S**  
**Yang** (45) **Date of Patent:** **\*\* Nov. 5, 2019**

(54) **TIP FOR EYE LINER**

(71) Applicant: **RICHCOS CO., LTD.**, Gyeonggi-do (KR)

(72) Inventor: **Ha Suk Yang**, Gyeonggi-do (KR)

(73) Assignee: **RICHCOS CO., LTD.**, Gyeonggi-do (KR)

(\*\*) Term: **15 Years**

(21) Appl. No.: **29/591,052**

(22) Filed: **Jan. 16, 2017**

(51) **LOC (12) Cl.** ..... **28-02**

(52) **U.S. Cl.**  
USPC ..... **D28/7**

(58) **Field of Classification Search**  
USPC ..... D28/4, 7, 8, 99, 76; D19/101, 115, 116, D19/117, 118, 119, 120, 121, 122, 123, D19/124, 125–180, 192; D9/723–729, D9/695, 696, 503, 504  
CPC ..... A45D 2200/1072; A45D 2200/10; A45D 2200/1018; A45D 2200/1027; A45D 2200/1036; A45D 2200/1045  
See application file for complete search history.

(56) **References Cited**

**U.S. PATENT DOCUMENTS**

D285,730 S	*	9/1986	Bulwick	.....	D19/901
D403,347 S	*	12/1998	Cockram	.....	D19/162
D611,094 S	*	3/2010	Collin	.....	D19/170
D653,805 S	*	2/2012	Tani	.....	D28/7
D686,366 S	*	7/2013	Ruiz, Sr.	.....	D28/7
D693,059 S	*	11/2013	Tani	.....	D28/7
D809,601 S	*	2/2018	Ma	.....	D19/170

**OTHER PUBLICATIONS**

The Notice, Clinique Pretty Easy Liquid Eyelining Pen, posted Sep. 24, 2015, [online], [site visited Sep. 19, 2018]. Available from Internet, <URL: <https://thenotice.net/2015/09/clinique-faceforward-campaign/clinique-pretty-easy-liquid-eyelining-pen/>> (Year: 2015).  
\* LLYMLRS, They're Real Push Up Liner, posted May 20, 2014, [online], [site visited Sep. 19, 2018]. Available from Internet, <URL: <http://www.llymlrs.com/2014/05/they-real-push-up-liner.html>> (Year: 2014).  
\* Kristy Leigh Blogspot, Supercat V Supercat Fat, posted Oct. 2, 2014, [online], [site visited Sep. 19, 2018]. Available from Internet, <URL: <http://kirstyleighx.blogspot.com/2014/10/supercat-v-supercat-fat.html>> (Year: 2014).\*

(Continued)

*Primary Examiner* — Sheryl Lane

*Assistant Examiner* — Samantha N Wood

(74) *Attorney, Agent, or Firm* — IP & T Group LLP

(57) **CLAIM**

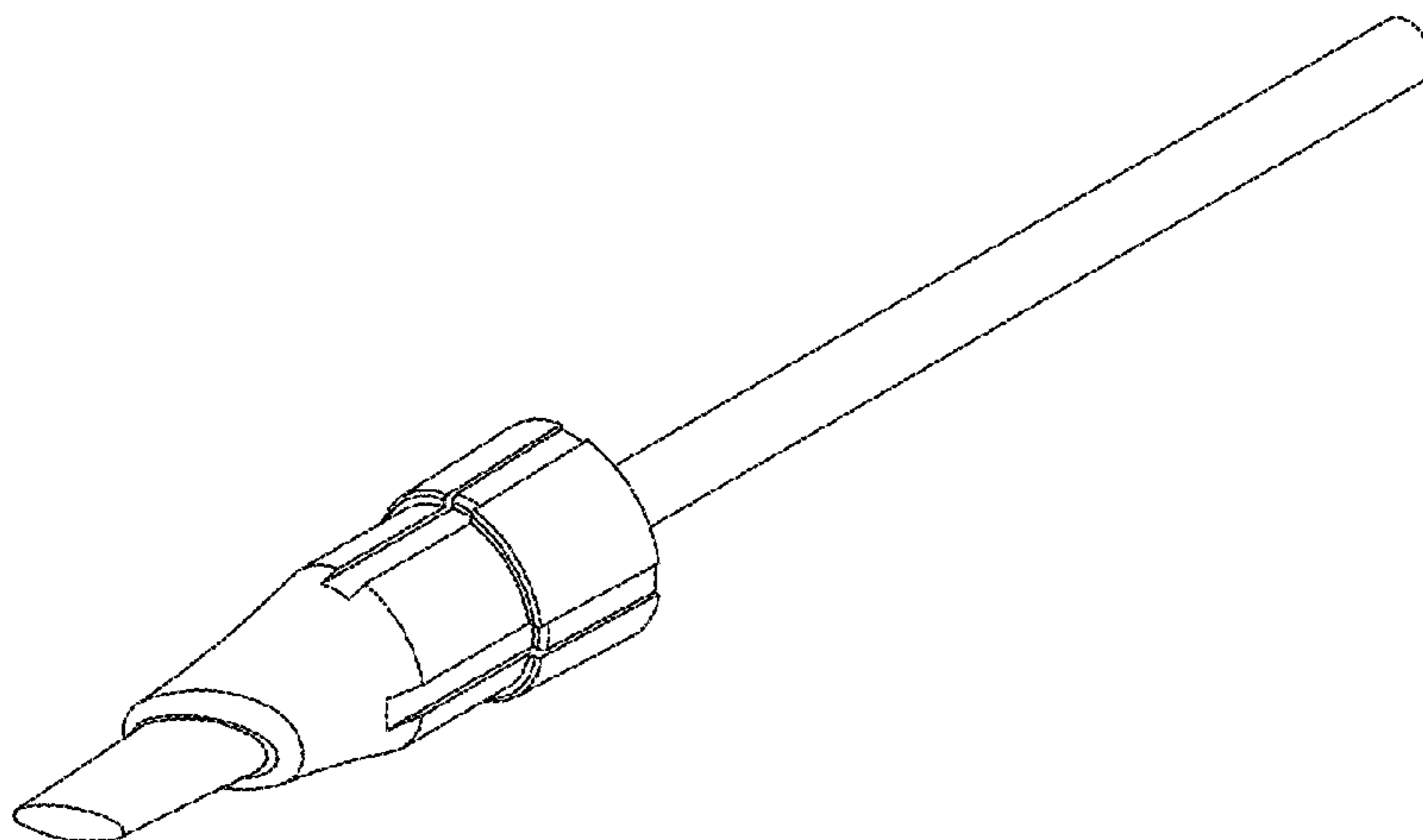
The ornamental design for a tip for eye liner, as shown and described.

**DESCRIPTION**

FIG. 1 is a perspective view of a tip for eye liner showing the new design; and  
FIG. 2 is a front view thereof;  
FIG. 3 is a rear view thereof;  
FIG. 4 is a left side view thereof;  
FIG. 5 is a right side view thereof;  
FIG. 6 is a top view thereof;  
FIG. 7 is a cross-sectional view along line 7-7 of FIG. 2; and,  
FIG. 8 is a view of an tip for eye liner in an exemplary environment.

The broken line showing of the tip for eye liner in FIG. 8 is for environmental purposes only and forms no part of the claimed design.

**1 Claim, 3 Drawing Sheets**



(56)

**References Cited**

OTHER PUBLICATIONS

Coffretgorge, DollyWink and Heroine Make Liquid Eyeliners Comparative Review, posted Feb. 8, 2011, [online], [site visited Sep. 21, 2018]. Available from Internet, <URL: <http://coffretgorge.blogspot.com/2011/02/dollywink-and-heroine-make-liquid.html>> (Year: 2011).\*

Youtube, Review: Etude House Drawing Show Easygraphy Brush Liner, posted Dec. 14, 2017, [online], [site visited Jan. 23, 2019]. Internet, <URL: <https://www.youtube.com/watch?v=qMpgcL6Zz00>> (Year: 2017).\*

\* cited by examiner

FIG. 1

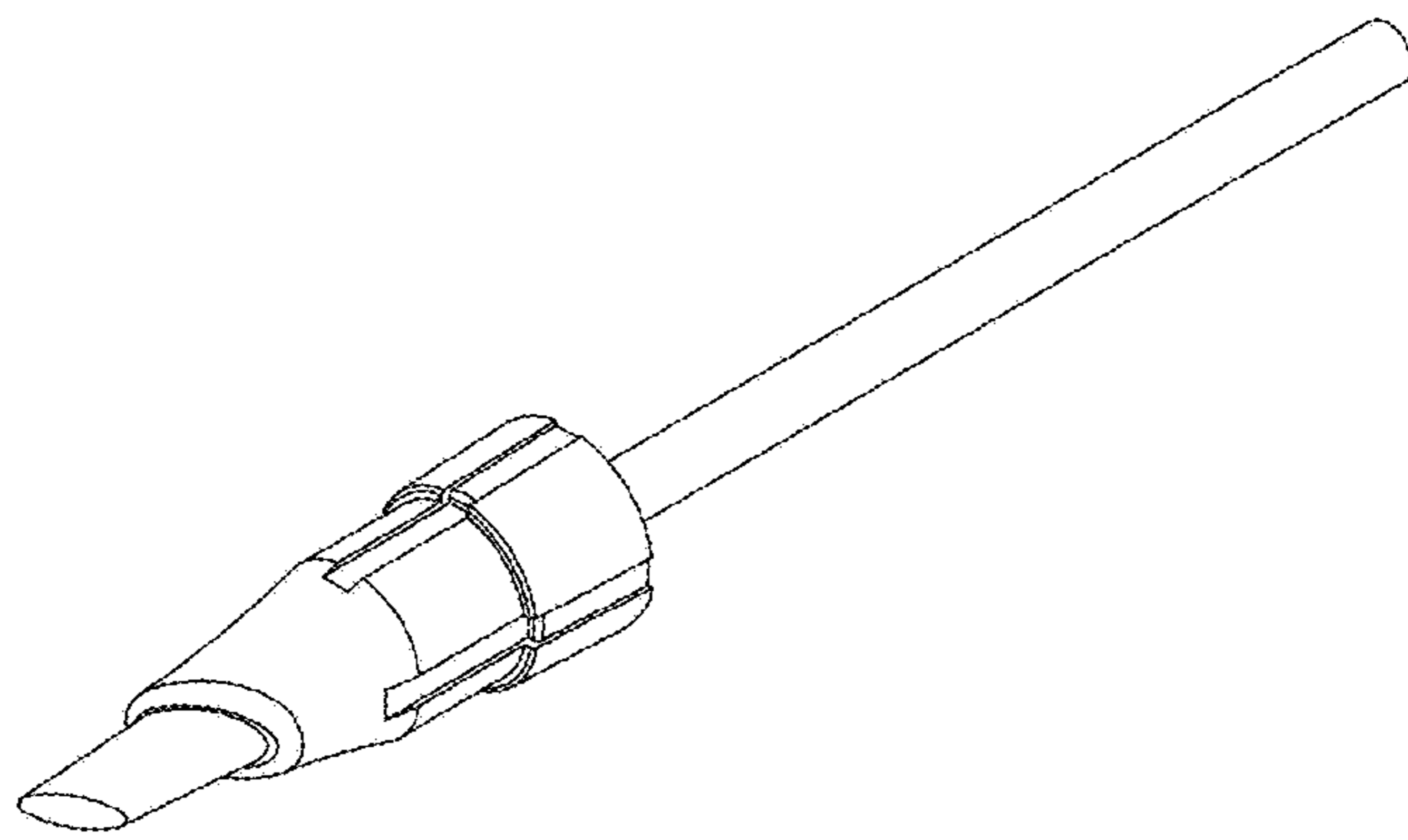


FIG. 2

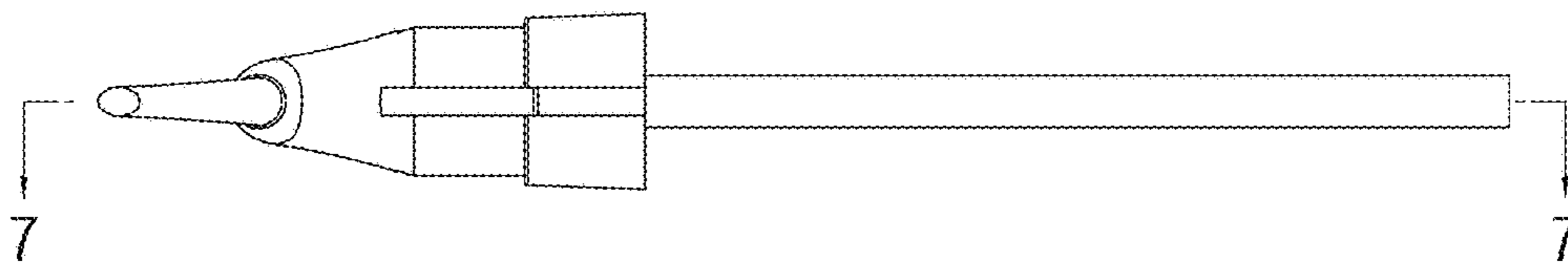


FIG. 3

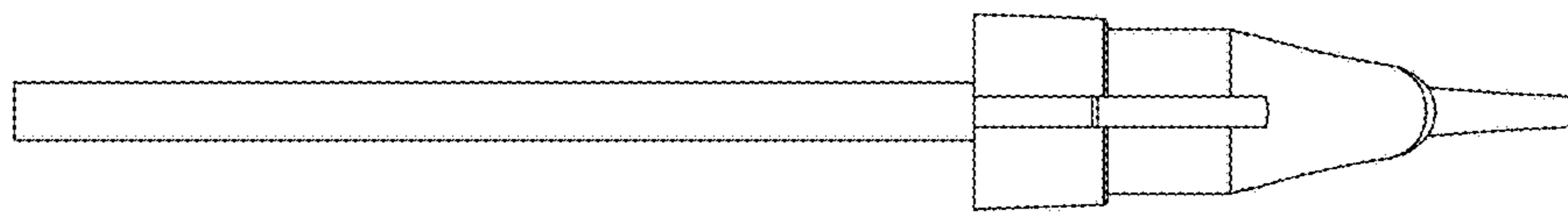


FIG. 4

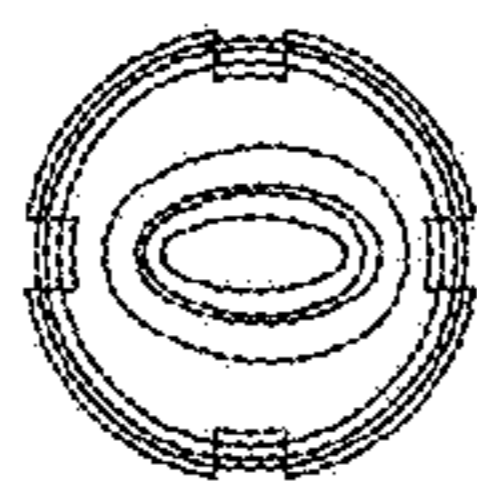


FIG. 5

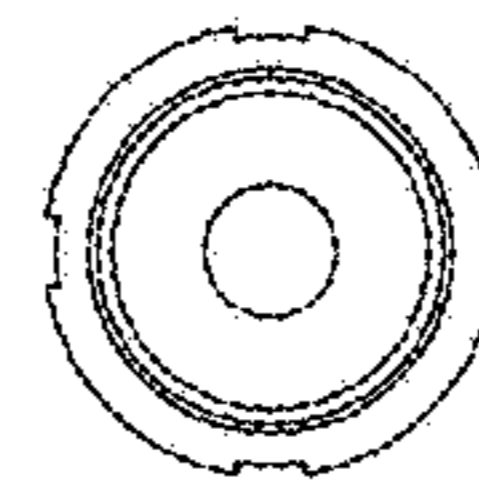


FIG. 6

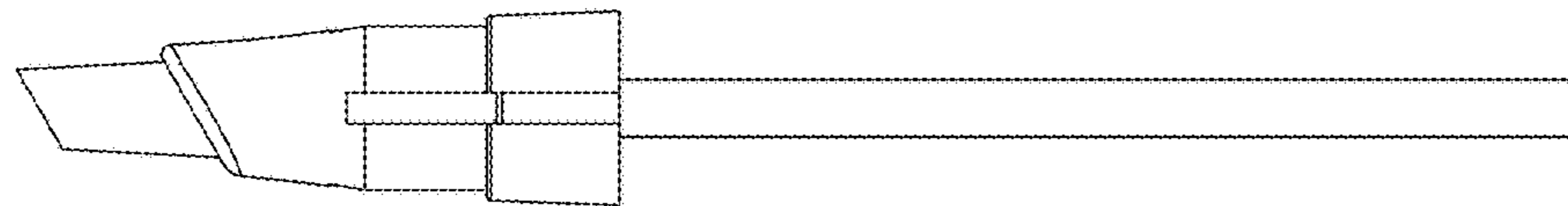


FIG. 7

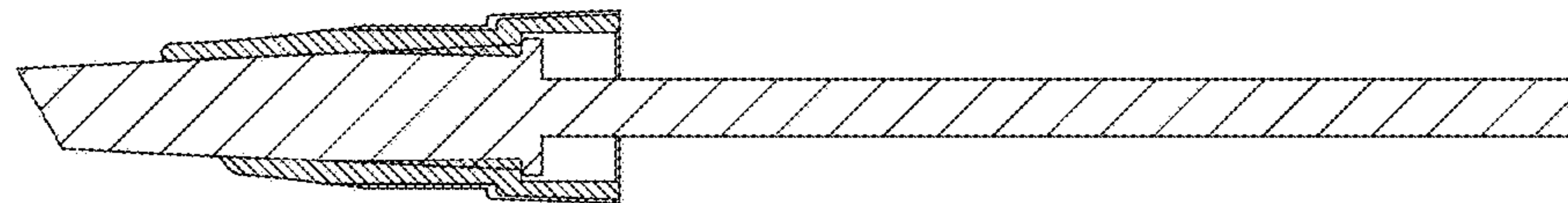


FIG. 8

