



US00D866059S

(12) **United States Design Patent** (10) **Patent No.:** **US D866,059 S**  
**Oquendo, Jr. et al.** (45) **Date of Patent:** **\*\* Nov. 5, 2019**

(54) **LED BOARD RAIL ANCHOR**  
(71) Applicant: **ENERGY PLANNING ASSOCIATES CORP.**, Sanford, FL (US)

(72) Inventors: **Saturnino Oquendo, Jr.**, Orlando, FL (US); **Dominick Cerce**, Sanford, FL (US)

(73) Assignee: **INDUSTRIAL LIGHTING PRODUCTS, LLC**, Sanford, FL (US)

(\*\*) Term: **15 Years**

(21) Appl. No.: **29/601,585**

(22) Filed: **Apr. 24, 2017**

(51) **LOC (12) Cl.** ..... **26-05**

(52) **U.S. Cl.**  
USPC ..... **D26/138**

(58) **Field of Classification Search**  
USPC ..... D26/76, 78, 79, 80, 81, 82, 83, 85, 86, D26/88, 90, 93, 111, 113, 118, 119, 120, D26/121, 122, 138, 139, 140, 141, 142, D26/152

CPC ..... F21S 2/00; F21S 4/00; F21S 4/003; F21S 4/005; F21S 4/006; F21S 4/007; F21S 4/008; F21S 6/00; F21S 8/00; F21S 8/024; F21S 8/026; F21S 8/031; F21S 8/033; F21S 8/035-037; F21S 8/04; F21S 8/043; F21S 8/063

See application file for complete search history.

(56) **References Cited**

U.S. PATENT DOCUMENTS

D532,544 S \* 11/2006 Woertler ..... D26/80  
D603,549 S \* 11/2009 Ng ..... D26/80  
D647,246 S \* 10/2011 Chadwick ..... D26/138  
D662,653 S \* 6/2012 Hochman ..... D26/138

8,319,433 B2 11/2012 Lin et al.  
D679,860 S \* 4/2013 Maxik ..... D26/141  
D712,582 S \* 9/2014 Yanping ..... D26/74  
D722,717 S \* 2/2015 Wang ..... D26/51  
9,072,171 B2 6/2015 Simon  
D735,390 S \* 7/2015 Yanping ..... D26/74  
D747,539 S \* 1/2016 Santoro ..... D26/120  
D774,685 S \* 12/2016 Topp ..... D26/121  
D782,105 S \* 3/2017 Klus ..... D26/138  
D822,269 S \* 7/2018 Oquendo, Jr. .... D26/155  
D823,496 S \* 7/2018 Farnsworth ..... D26/24  
10,041,631 B1 \* 8/2018 Cerce ..... F21K 9/20  
D849,277 S \* 5/2019 John ..... D26/1  
D849,278 S \* 5/2019 John ..... D26/1  
2012/0113628 A1 5/2012 Burrow et al.  
2012/0155073 A1 6/2012 McCanless et al.  
2014/0355272 A1 12/2014 Chou  
2018/0252394 A1 \* 9/2018 Cerce ..... F21V 19/003  
2018/0306413 A1 \* 10/2018 Tremaine ..... F21V 15/012

\* cited by examiner

Primary Examiner — Natasha Vujcic

(74) Attorney, Agent, or Firm — Blank Rome LLP

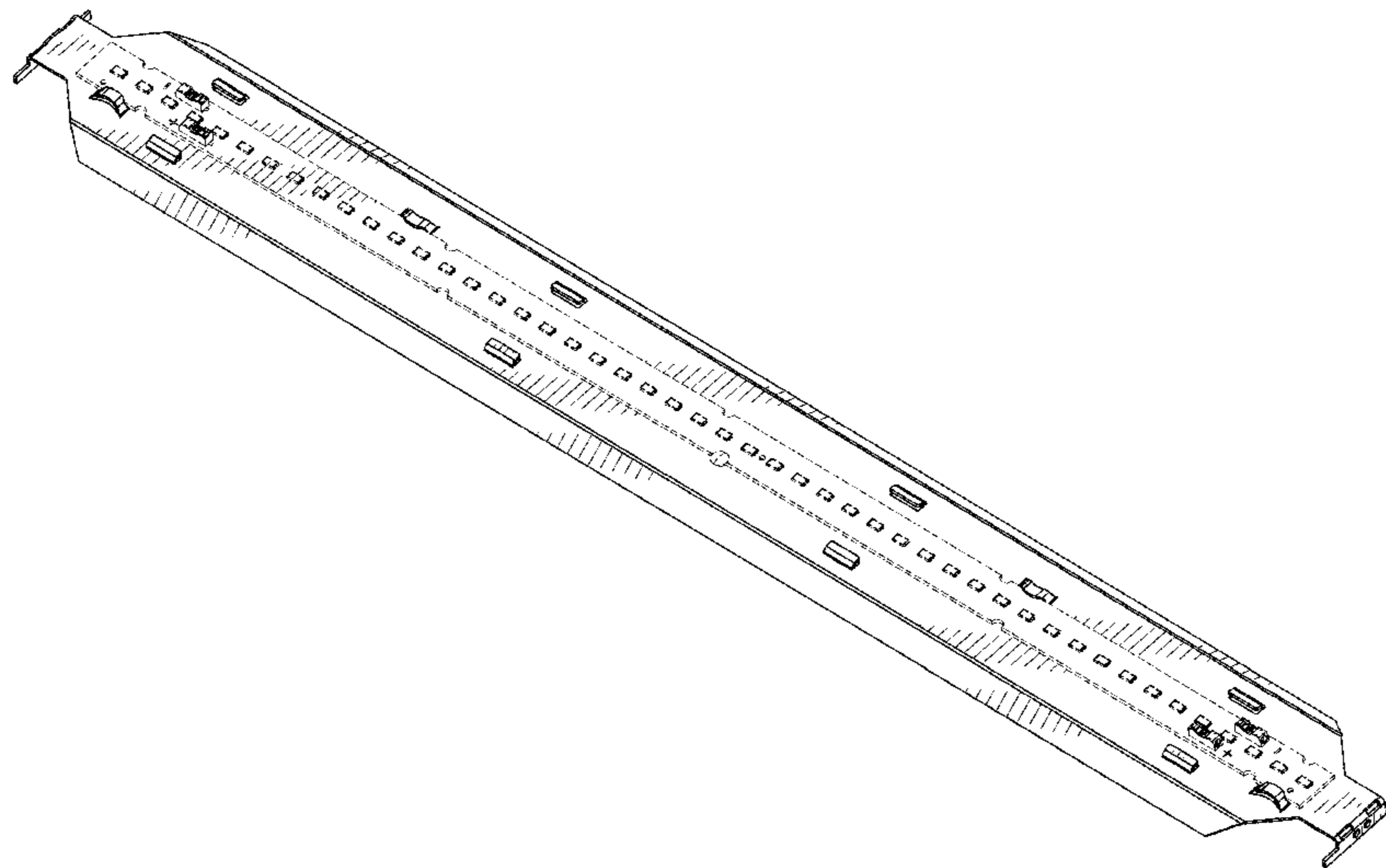
(57) **CLAIM**

The ornamental design for a LED board rail anchor, as shown and described.

**DESCRIPTION**

FIG. 1 is a top perspective view showing our new design; FIG. 2 is a bottom perspective view thereof; FIG. 3 is a top elevational view thereof; FIG. 4 is a bottom elevational view thereof; FIG. 5 is a right side elevational view thereof; FIG. 6 is a left side elevational view thereof; FIG. 7 is front plan view thereof; and, FIG. 8 is a rear plan view thereof. The broken lines in the drawings illustrate portions of the LED board rail anchor which forms no part of the claimed design.

**1 Claim, 5 Drawing Sheets**



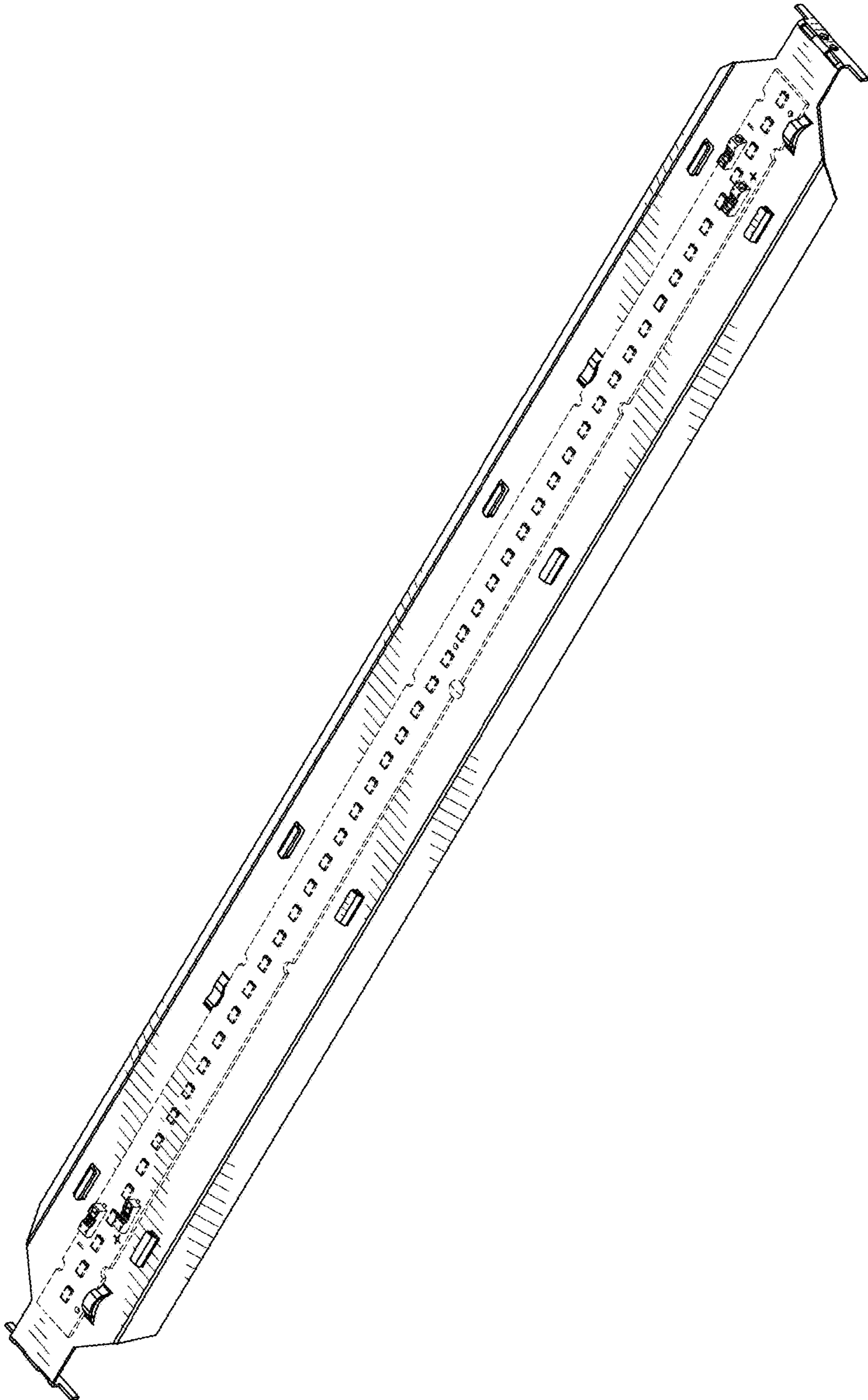


FIG. 1

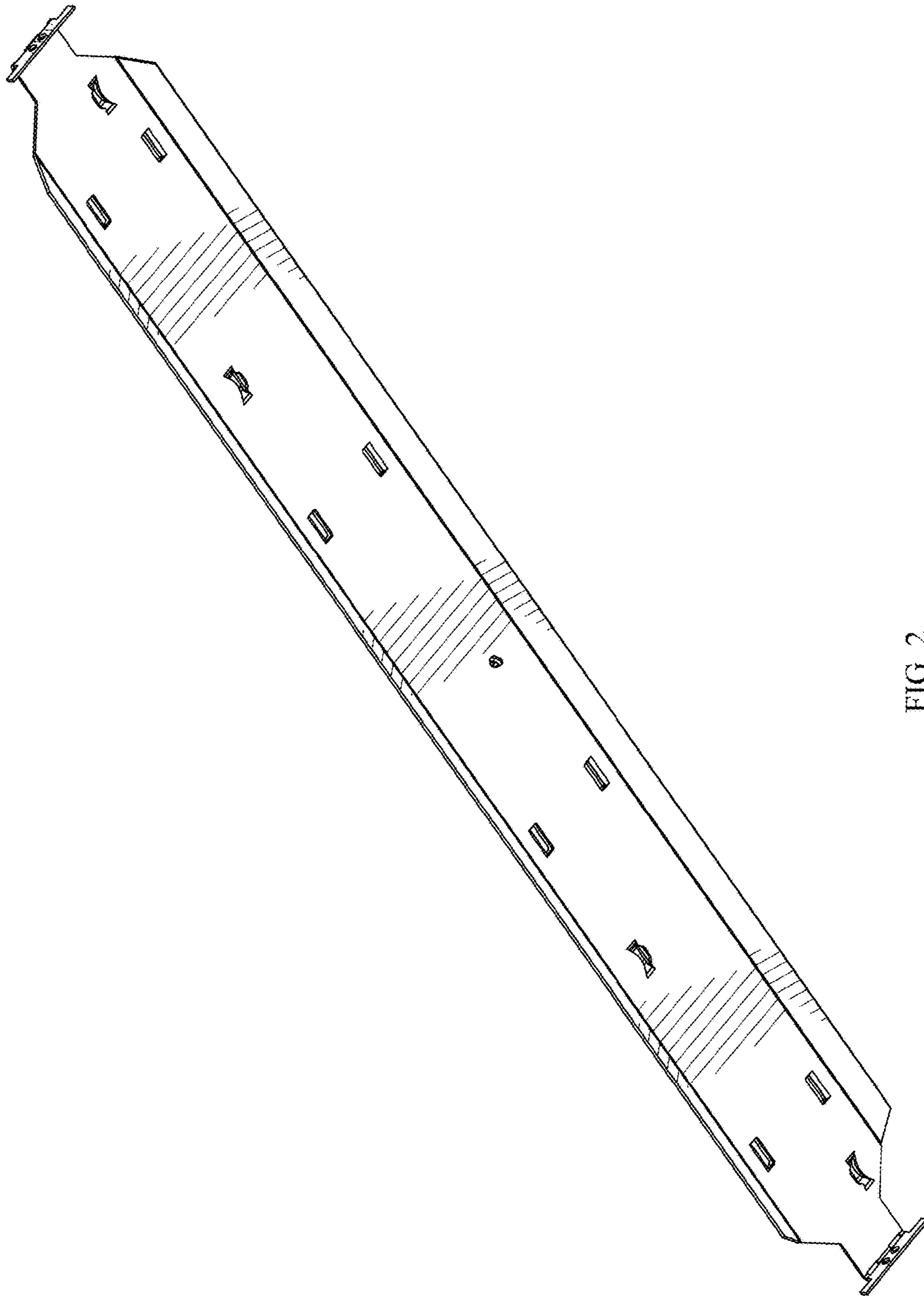


FIG. 2



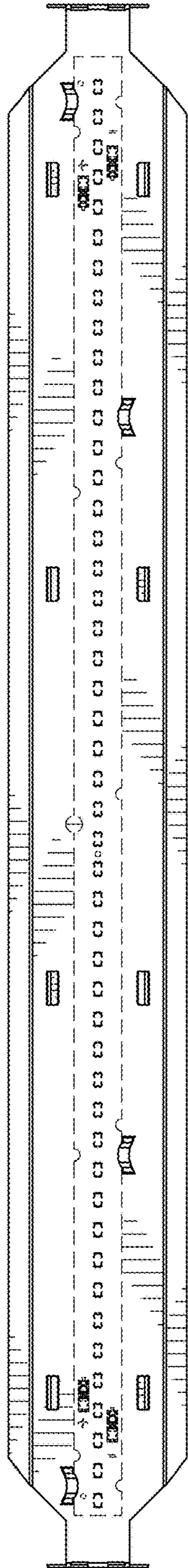


FIG. 3

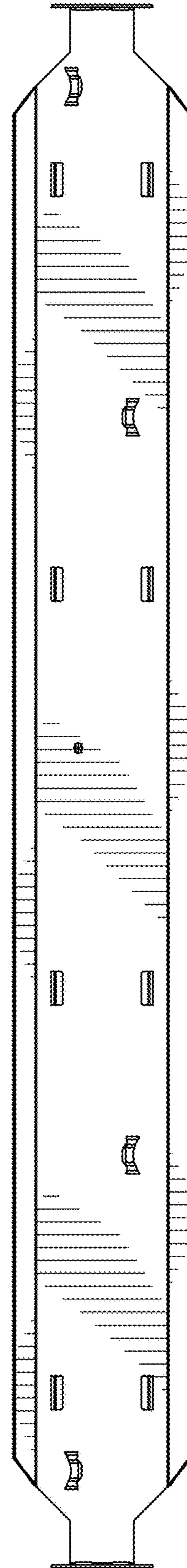


FIG. 4



FIG. 5



FIG. 6

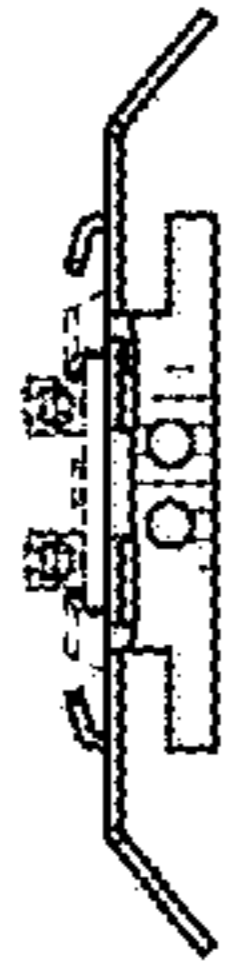


FIG. 7



FIG. 8