



US00D866057S

(12) **United States Design Patent**  
**Lafleur**

(10) **Patent No.:** **US D866,057 S**

(45) **Date of Patent:** **\*\* Nov. 5, 2019**

(54) **TWIN HEAD LED SOLAR MOTION LIGHT**

(71) Applicant: **LES PRODUITS SUNFORCE INC.**,  
Montreal-Ouest (CA)

(72) Inventor: **Andre Lafleur**, Boucherville (CA)

(73) Assignee: **LES PRODUITS SUNFORCE INC.**,  
Montreal (CA)

(\*\*) Term: **15 Years**

(21) Appl. No.: **29/638,471**

(22) Filed: **Feb. 27, 2018**

(51) **LOC (12) Cl.** ..... **26-99**

(52) **U.S. Cl.**  
USPC ..... **D26/120**

(58) **Field of Classification Search**  
USPC .... D26/24, 51, 61, 63, 65, 72, 80, 118, 120,  
D26/128; D16/203

CPC .... F21S 8/04; F21S 8/00; F21V 21/00; F21V  
17/02; F21V 14/02; F21V 21/30; F21V  
21/14; F21V 21/26; F21W 2131/10;  
G03B 13/196; H04N 5/2251; H04N  
5/2253; H04N 5/2254

See application file for complete search history.

(56) **References Cited**

**U.S. PATENT DOCUMENTS**

D670,022 S	*	10/2012	Green	.....	D26/128
D670,023 S	*	10/2012	Green	.....	D26/128
D708,388 S	*	7/2014	Lee	.....	D26/120
D745,201 S	*	12/2015	Lee	.....	D26/63
D757,347 S	*	5/2016	Chen	.....	D26/120
D759,291 S	*	6/2016	Chen	.....	D26/120
D764,700 S	*	8/2016	Chen	.....	D26/118
D781,481 S	*	3/2017	Chen	.....	D26/65

(Continued)

*Primary Examiner* — Brian N. Vinson

(74) *Attorney, Agent, or Firm* — Benoit & Cote, Inc.; C.  
Marc Benoit

(57) **CLAIM**

I claim the ornamental design for twin head LED solar motion light, as shown and described.

**DESCRIPTION**

FIG. 1 is a perspective view of the first embodiment of my ornamental design of the twin head LED solar motion light; FIG. 2 is a right side elevation view of the twin head LED solar motion light of FIG. 1;

FIG. 3 is a front elevation view of the twin head LED solar motion light of FIG. 1;

FIG. 4 is a left side elevation view of the twin head LED solar motion light of FIG. 1;

FIG. 5 is a rear elevation view of the twin head LED solar motion light of FIG. 1;

FIG. 6 is a top plan view of the twin head LED solar motion light of FIG. 1;

FIG. 7 is a bottom plan view of the twin head LED solar motion light of FIG. 1;

FIG. 8 is a perspective view of the second embodiment of my ornamental design of the twin head LED solar motion light;

FIG. 9 is a right side elevation view of the twin head LED solar motion light of FIG. 8;

FIG. 10 is a front elevation view of the twin head LED solar motion light of FIG. 8;

FIG. 11 is a left side elevation view of the twin head LED solar motion light of FIG. 8;

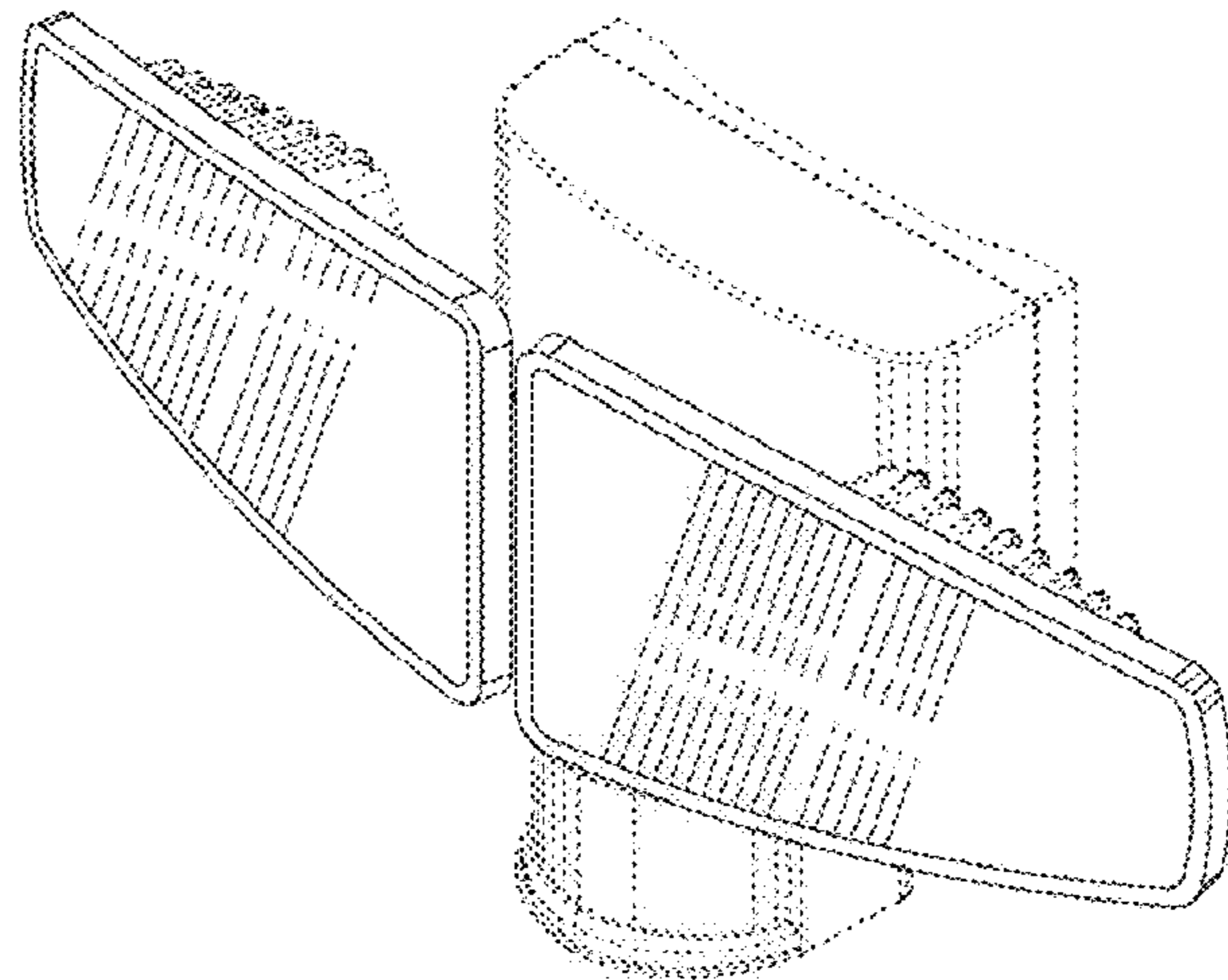
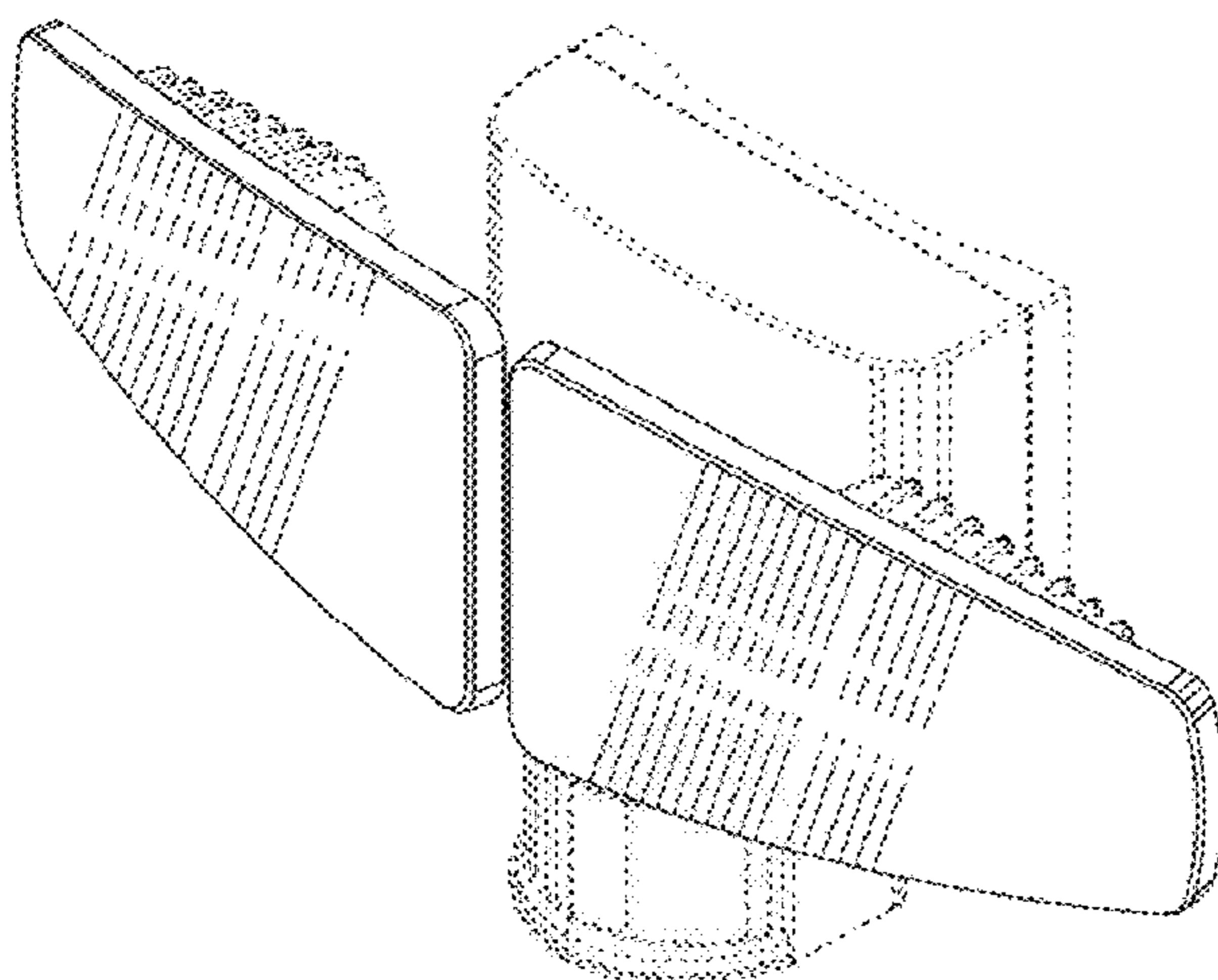
FIG. 12 is a rear elevation view of the twin head LED solar motion light of FIG. 8;

FIG. 13 is a top plan view of the twin head LED solar motion light of FIG. 8; and,

FIG. 14 is a bottom plan view of the twin head LED solar motion light of FIG. 8.

The portions shown in broken lines are for illustrative purposes only and form no part of the design.

**1 Claim, 8 Drawing Sheets**



(56)

**References Cited**

U.S. PATENT DOCUMENTS

D820,506 S \* 6/2018 Chen ..... D26/120  
D835,834 S \* 12/2018 Paredes ..... D26/120

\* cited by examiner

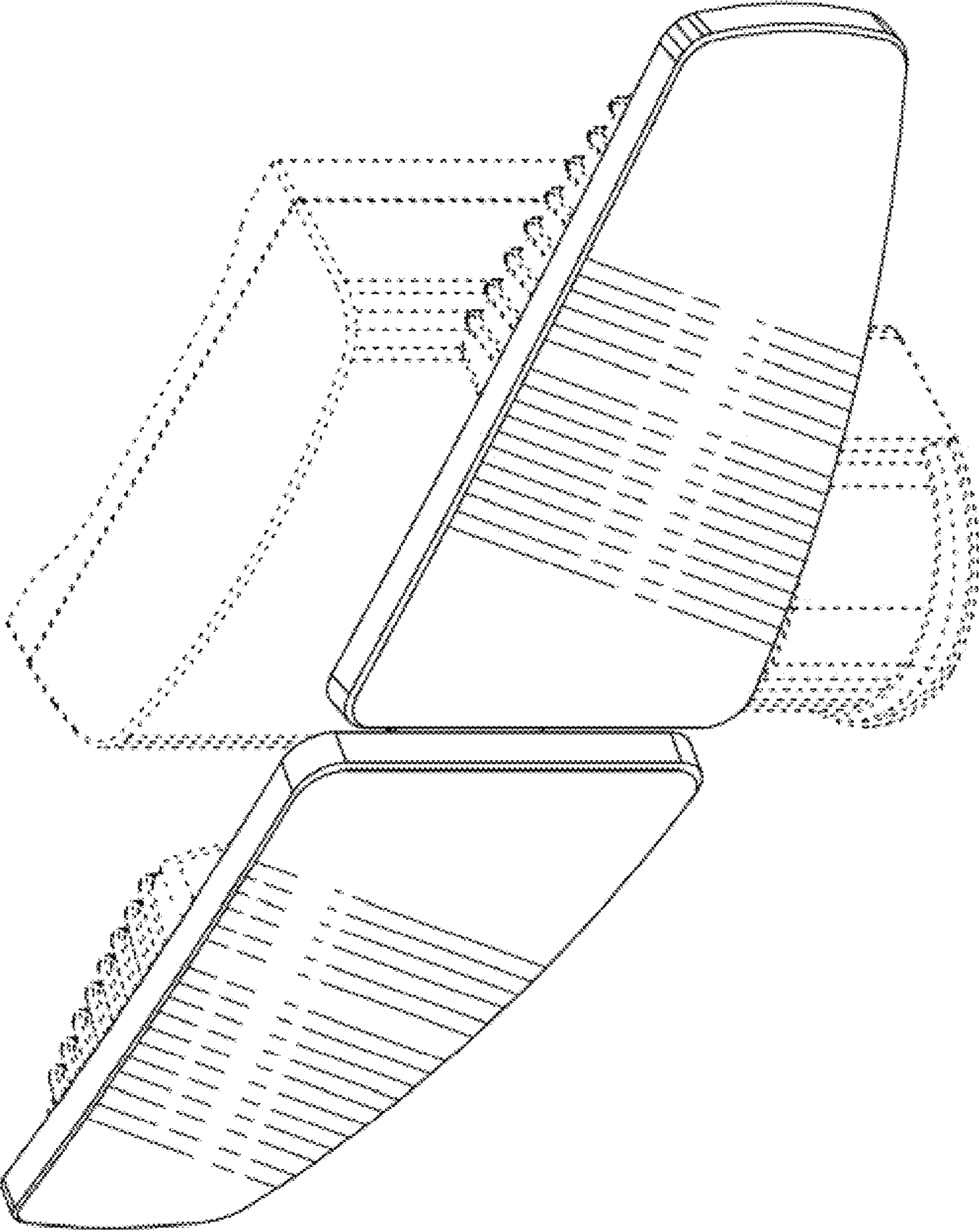


FIG. 1



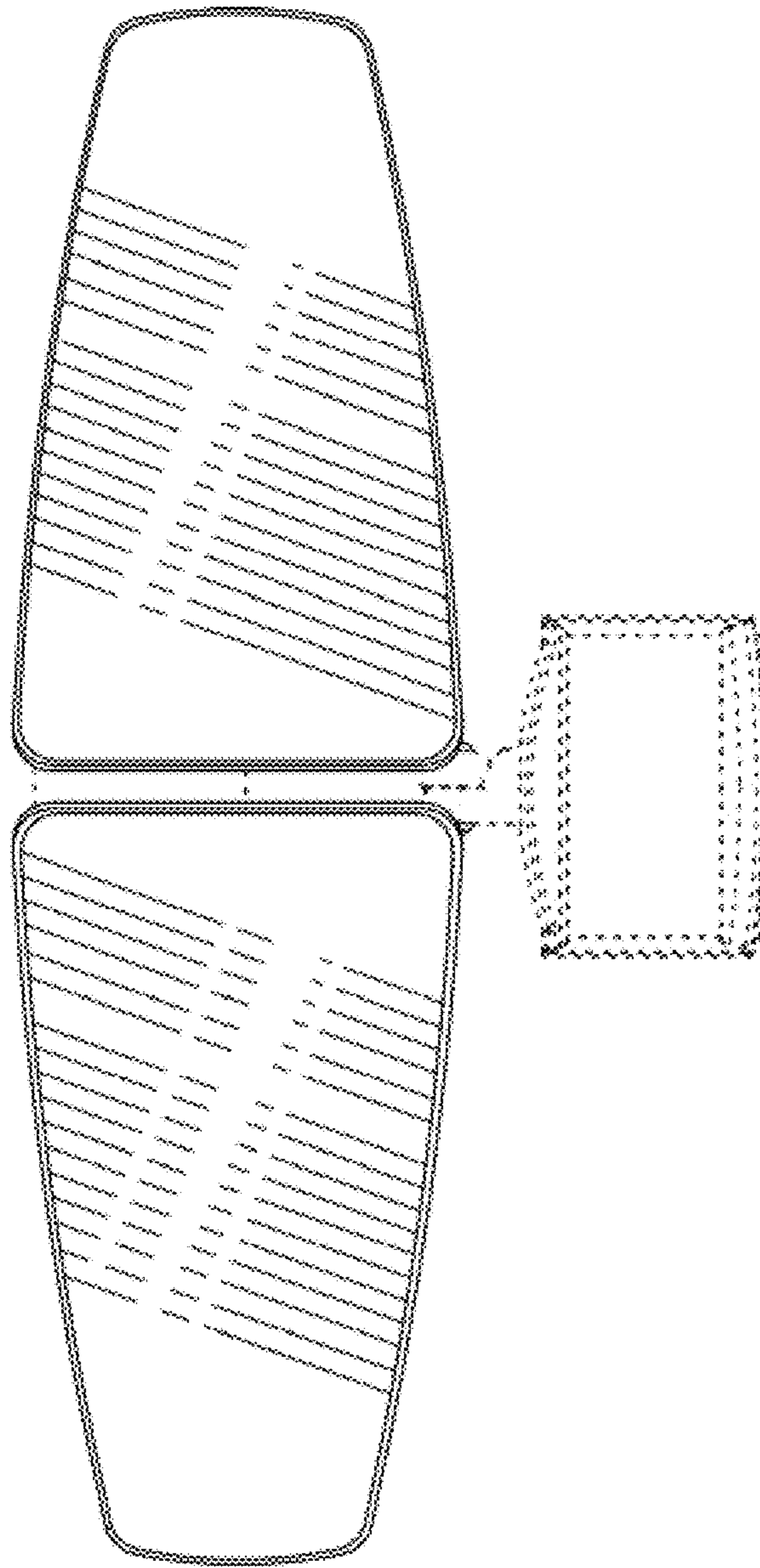


FIG. 2

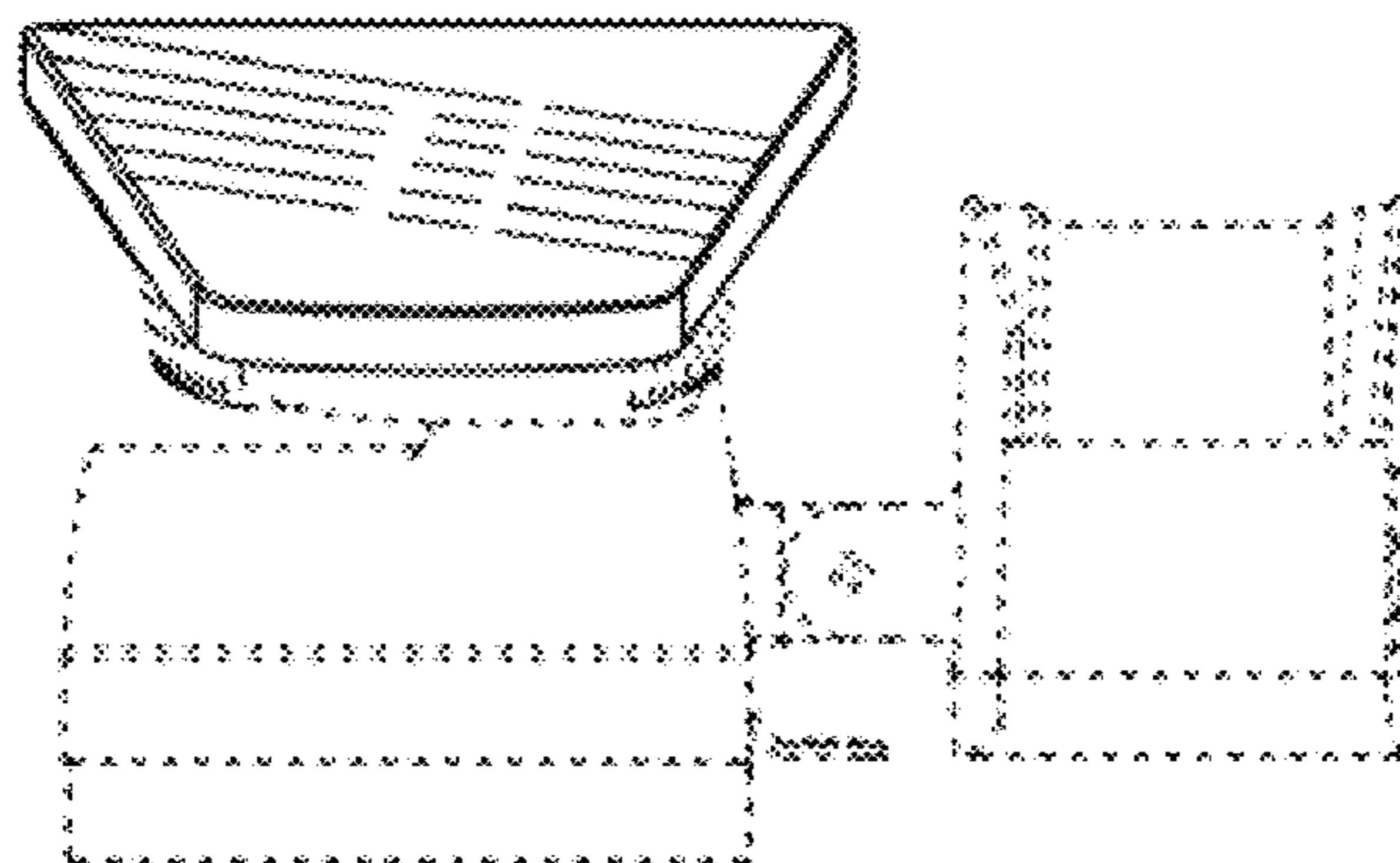


FIG. 3

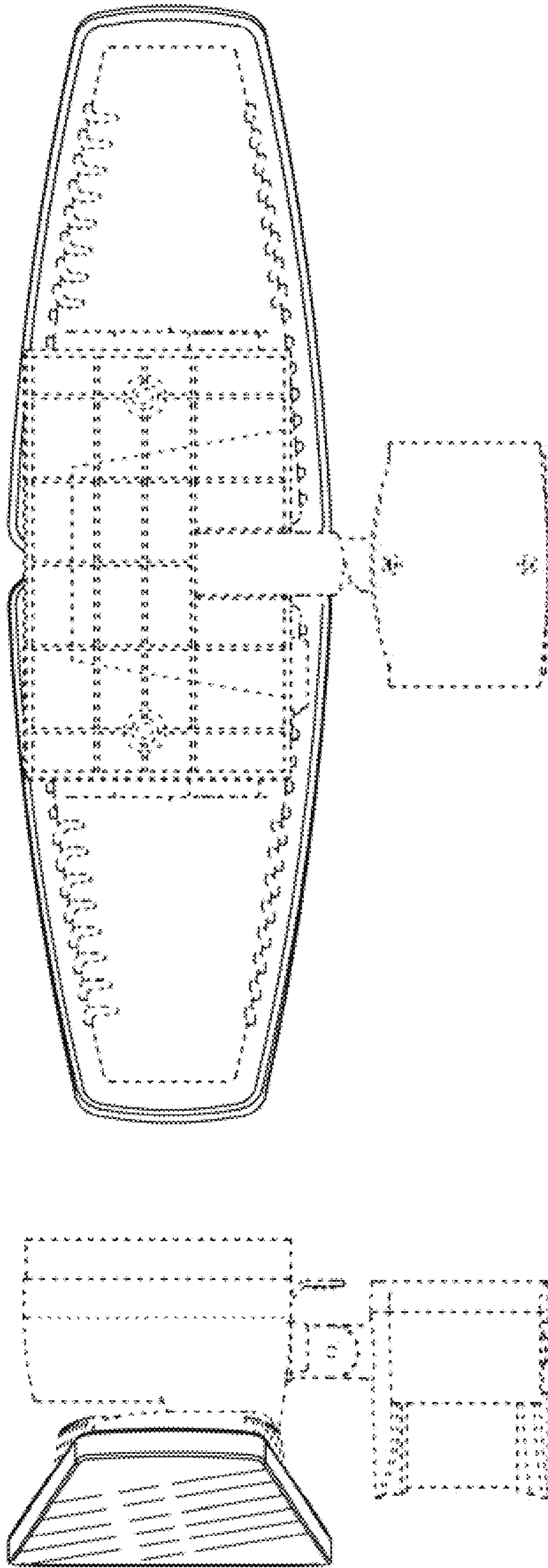


FIG. 5

FIG. 4

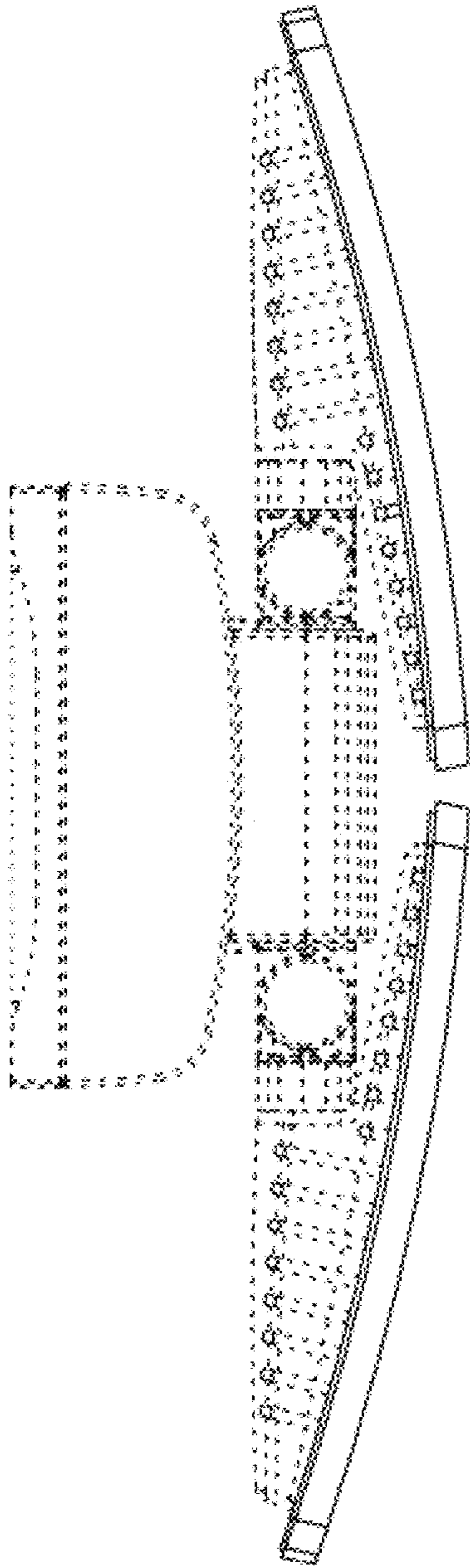


FIG. 6

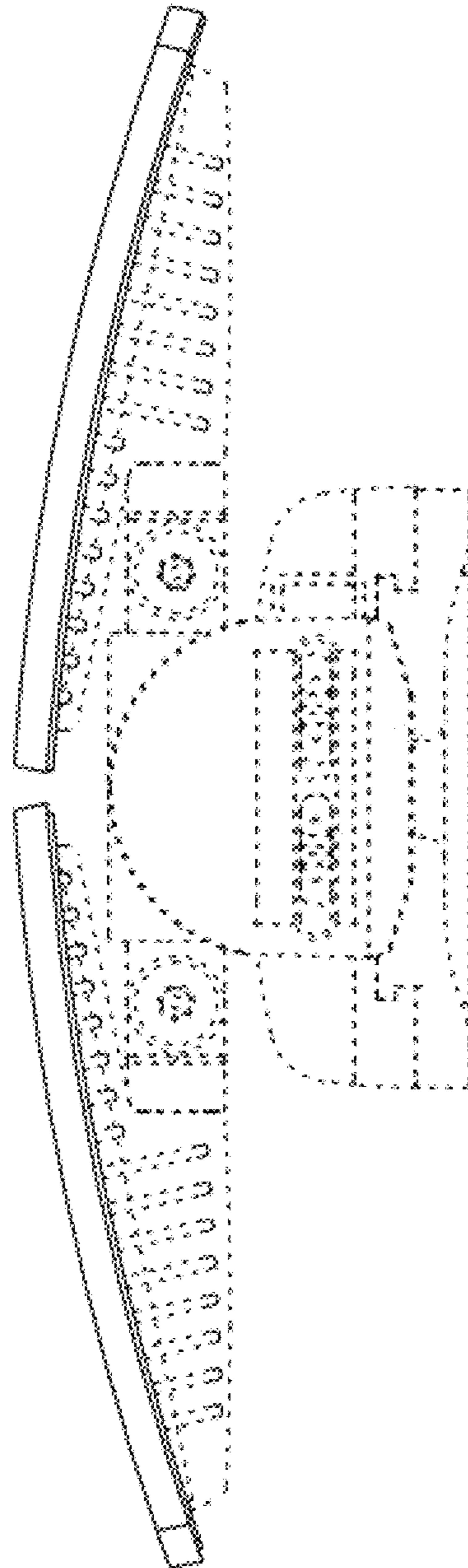


FIG. 7



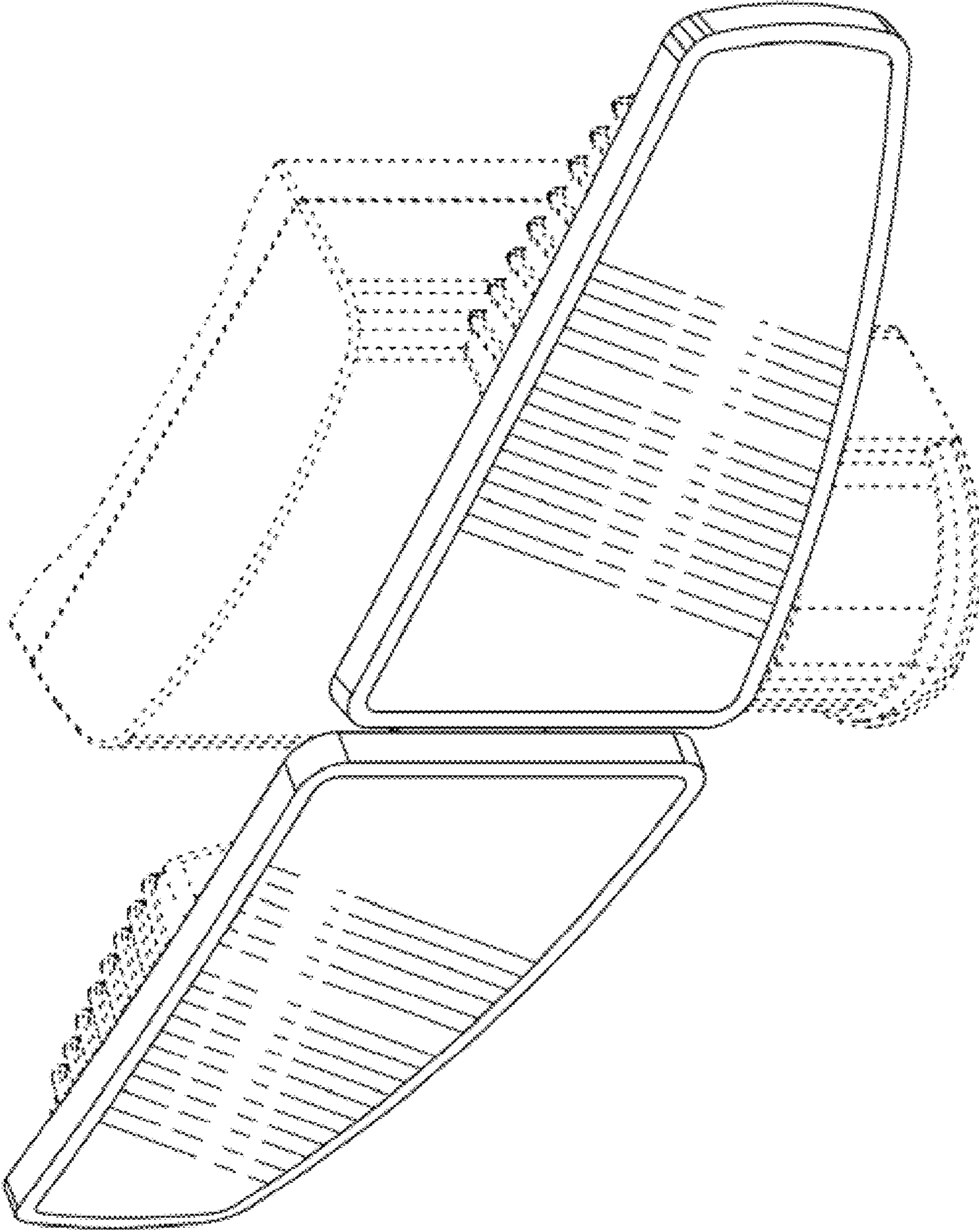


FIG. 8

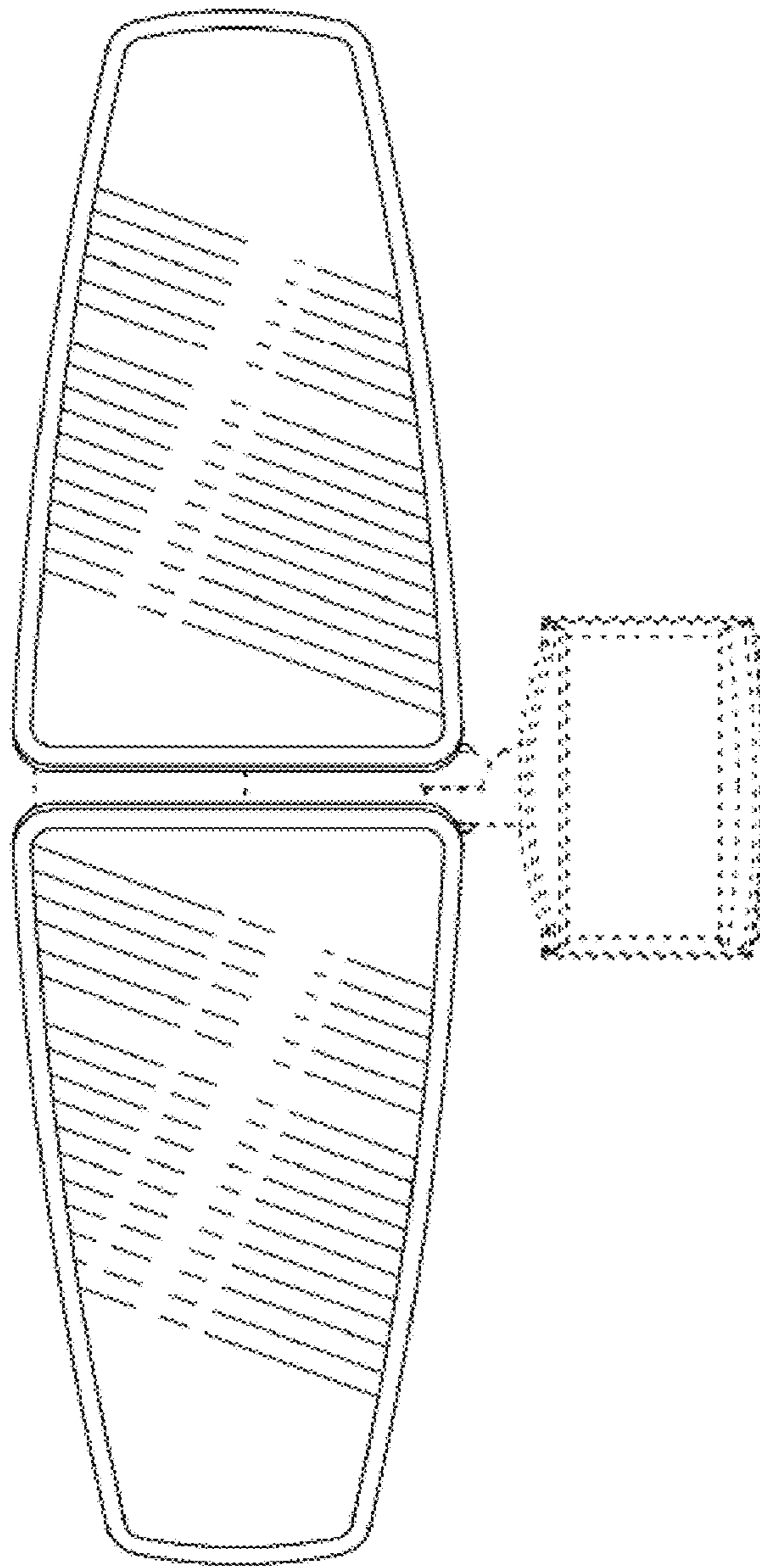


FIG. 10

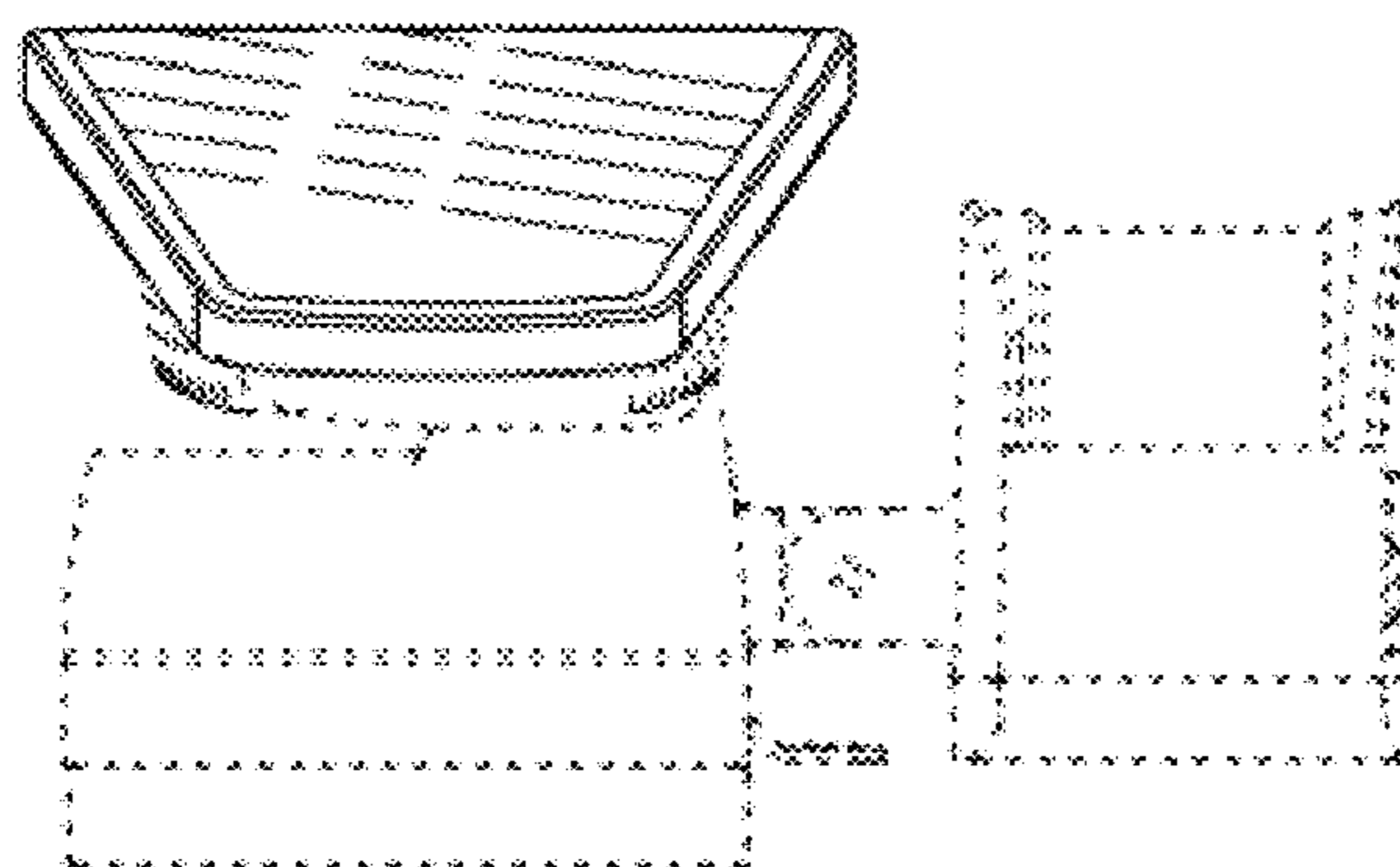


FIG. 9



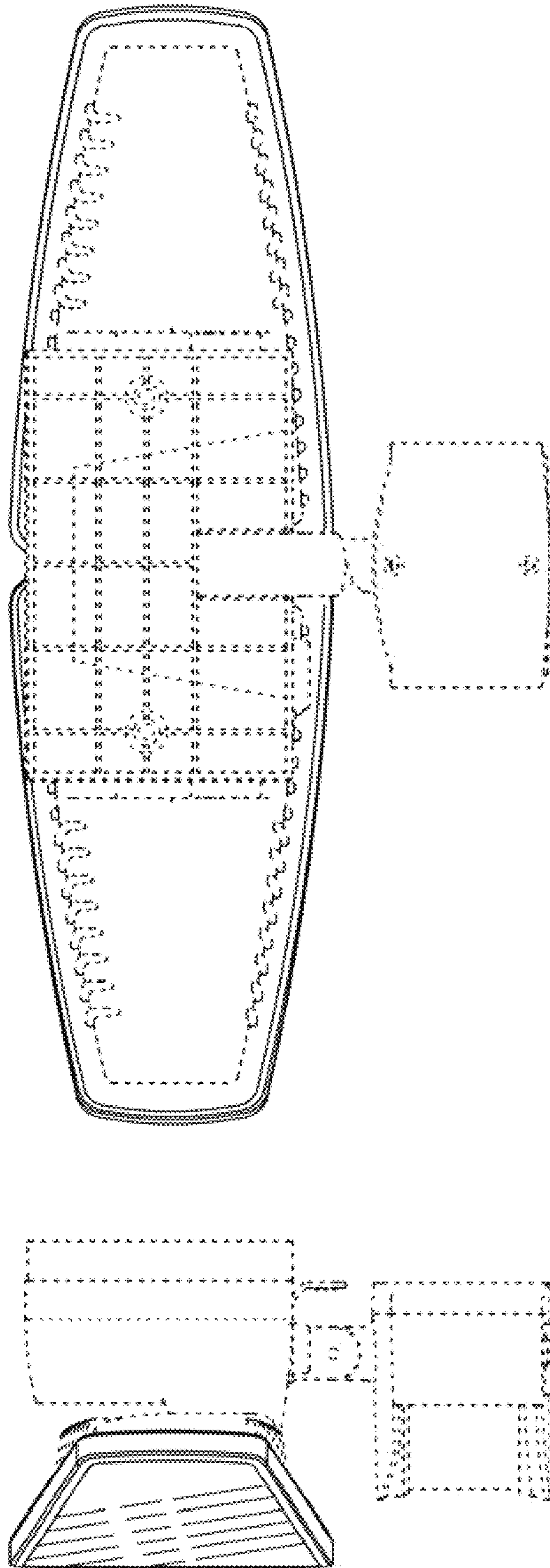


FIG. 12

FIG. 11

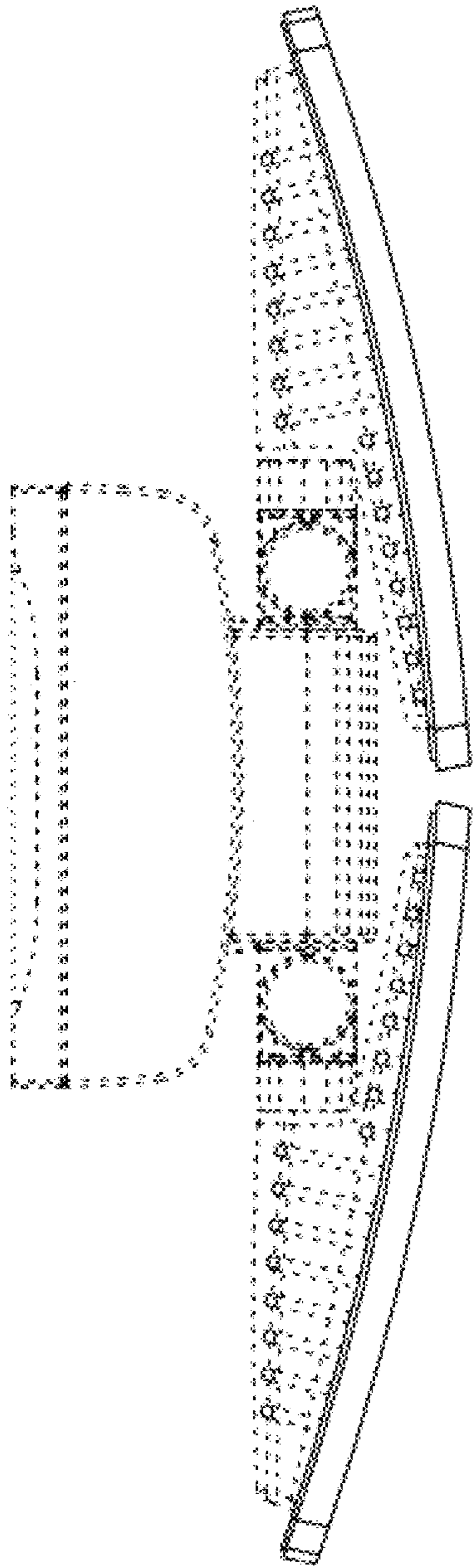


FIG. 13

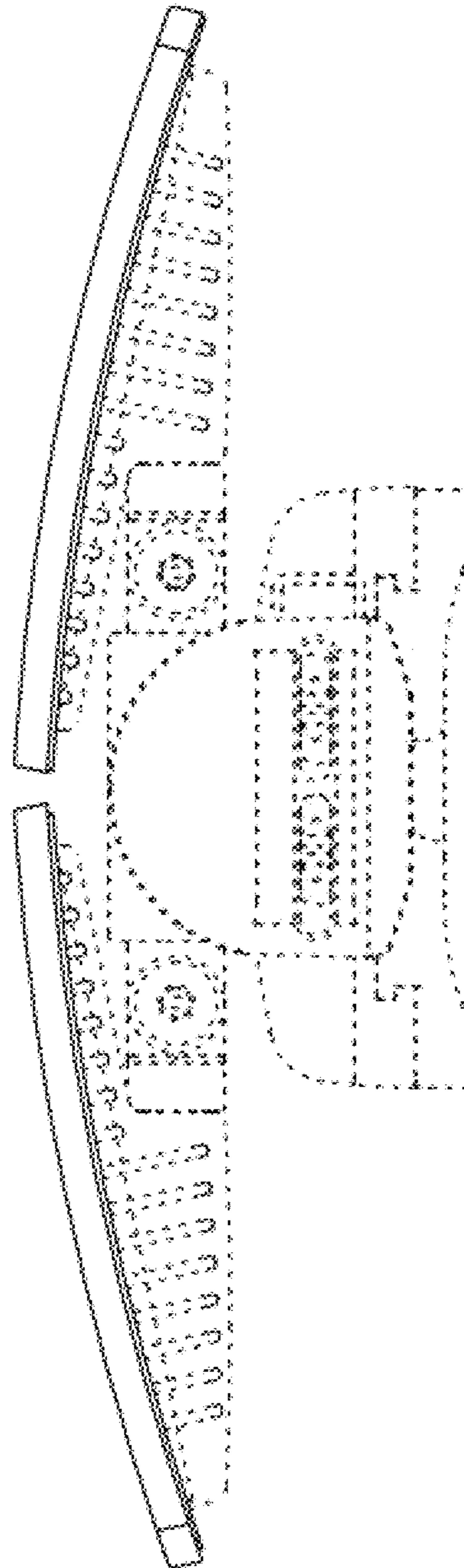


FIG. 14