



US00D866056S

(12) **United States Design Patent**
Yeh

(10) **Patent No.:** **US D866,056 S**

(45) **Date of Patent:** **** Nov. 5, 2019**

(54) **LED LIGHT FIXTURE WITH UV CENTER**

D773,109 S * 11/2016 Hu D26/118
D808,564 S * 1/2018 Zheng D26/89
D838,032 S * 1/2019 Drew D26/118

(71) Applicant: **John Yeh**, Chino Hills, CA (US)

* cited by examiner

(72) Inventor: **John Yeh**, Chino Hills, CA (US)

Primary Examiner — Brian N. Vinson

(**) Term: **15 Years**

(74) *Attorney, Agent, or Firm* — Denis Khoo

(21) Appl. No.: **29/635,874**

(22) Filed: **Feb. 4, 2018**

(51) **LOC (12) Cl.** **26-03**

(52) **U.S. Cl.**
USPC **D26/106**

(58) **Field of Classification Search**

USPC D26/24, 51, 61, 72, 76, 80, 81, 85, 86,
D26/88, 94, 106, 113, 118, 119, 120, 122,
D26/128, 129, 138, 143, 144
CPC B60Q 1/04; B60Q 1/26; F21S 8/026; F21S
8/04; F21L 19/00; F23D 11/443; F21Y
2101/02; F21V 21/02; F21V 29/004;
F21V 21/04; F21V 29/2212; F21V 7/22;
F21V 29/83; F21V 37/002; F21V 7/00;
A61L 9/037

See application file for complete search history.

(56) **References Cited**

U.S. PATENT DOCUMENTS

D359,377 S * 6/1995 Barnes D26/94
D652,160 S * 1/2012 Brown D26/24

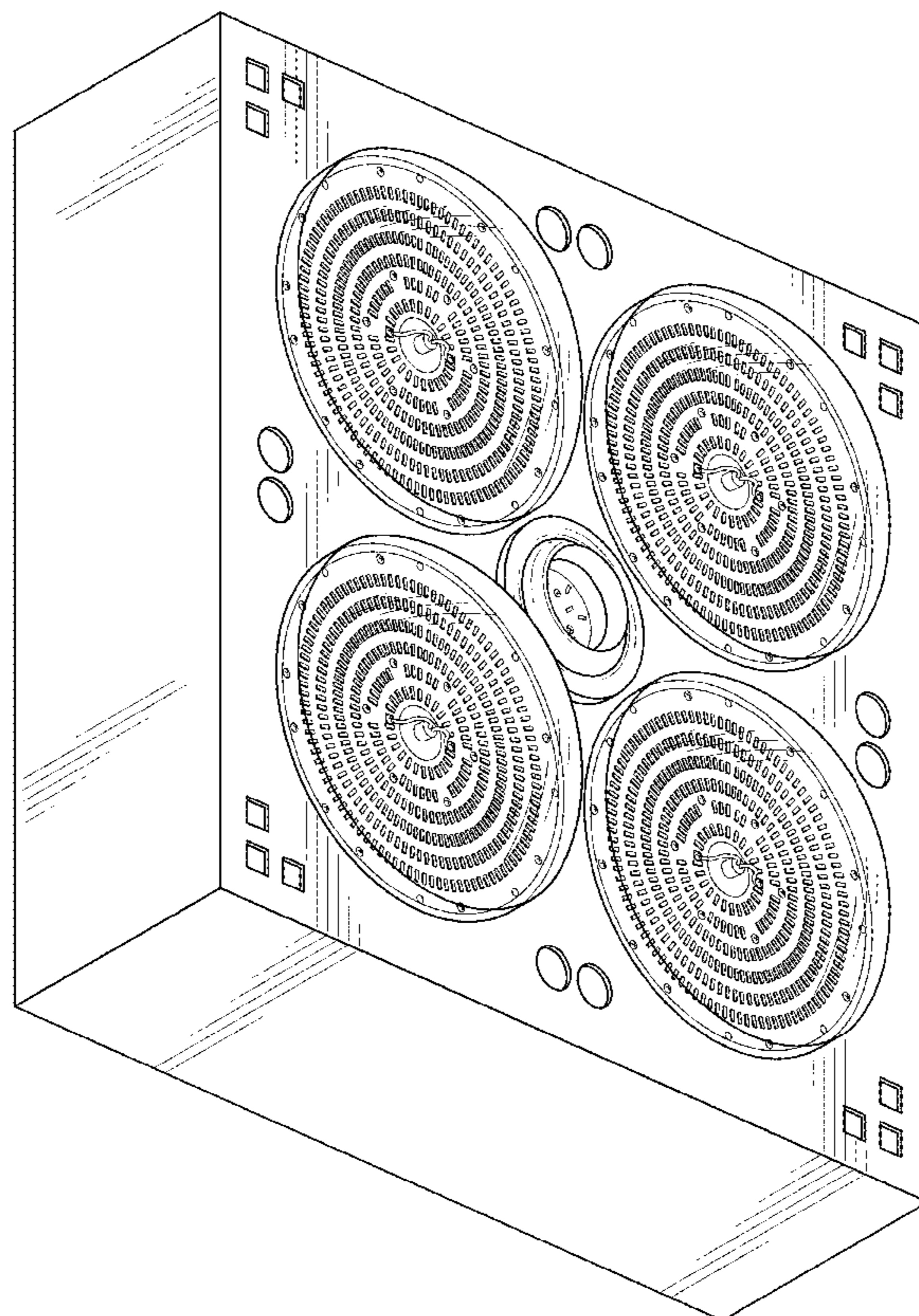
(57) **CLAIM**

The ornamental design for a LED light fixture with UV center, as shown and described.

DESCRIPTION

FIG. 1 is a perspective view of a LED light fixture showing my new design;
FIG. 2 is a front elevational view of the LED light fixture shown in FIG. 1;
FIG. 3 is a rear elevational view of the LED light fixture shown in FIG. 1;
FIG. 4 is a side elevational view of the LED light fixture shown in FIG. 1;
FIG. 5 is a side elevational view of the other side of the LED light fixture shown in FIG. 1;
FIG. 6 is a top plan view of the LED light fixture shown in FIG. 1; and,
FIG. 7 is a bottom plan view of the LED light fixture shown in FIG. 1.

1 Claim, 5 Drawing Sheets



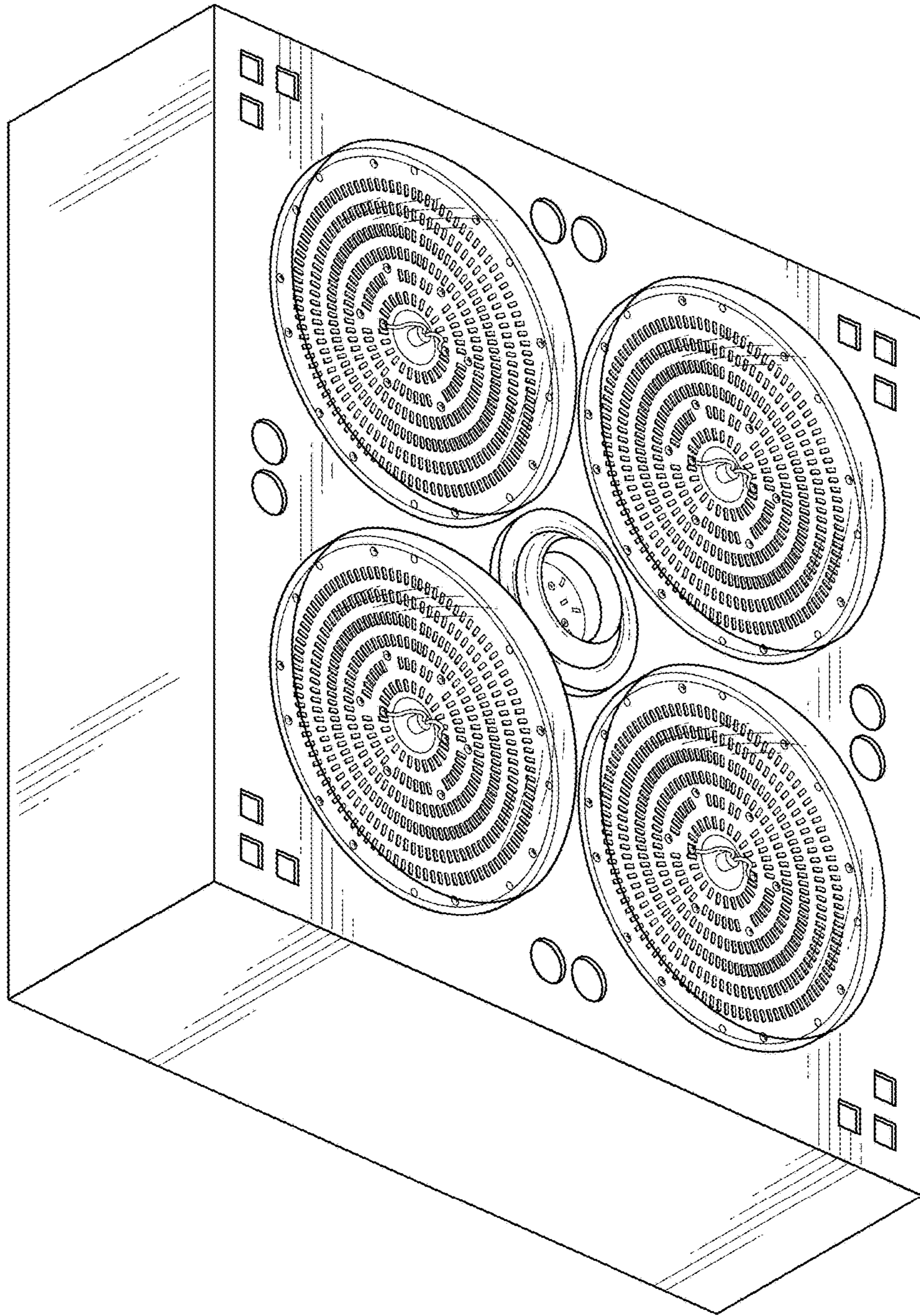


FIG. 1

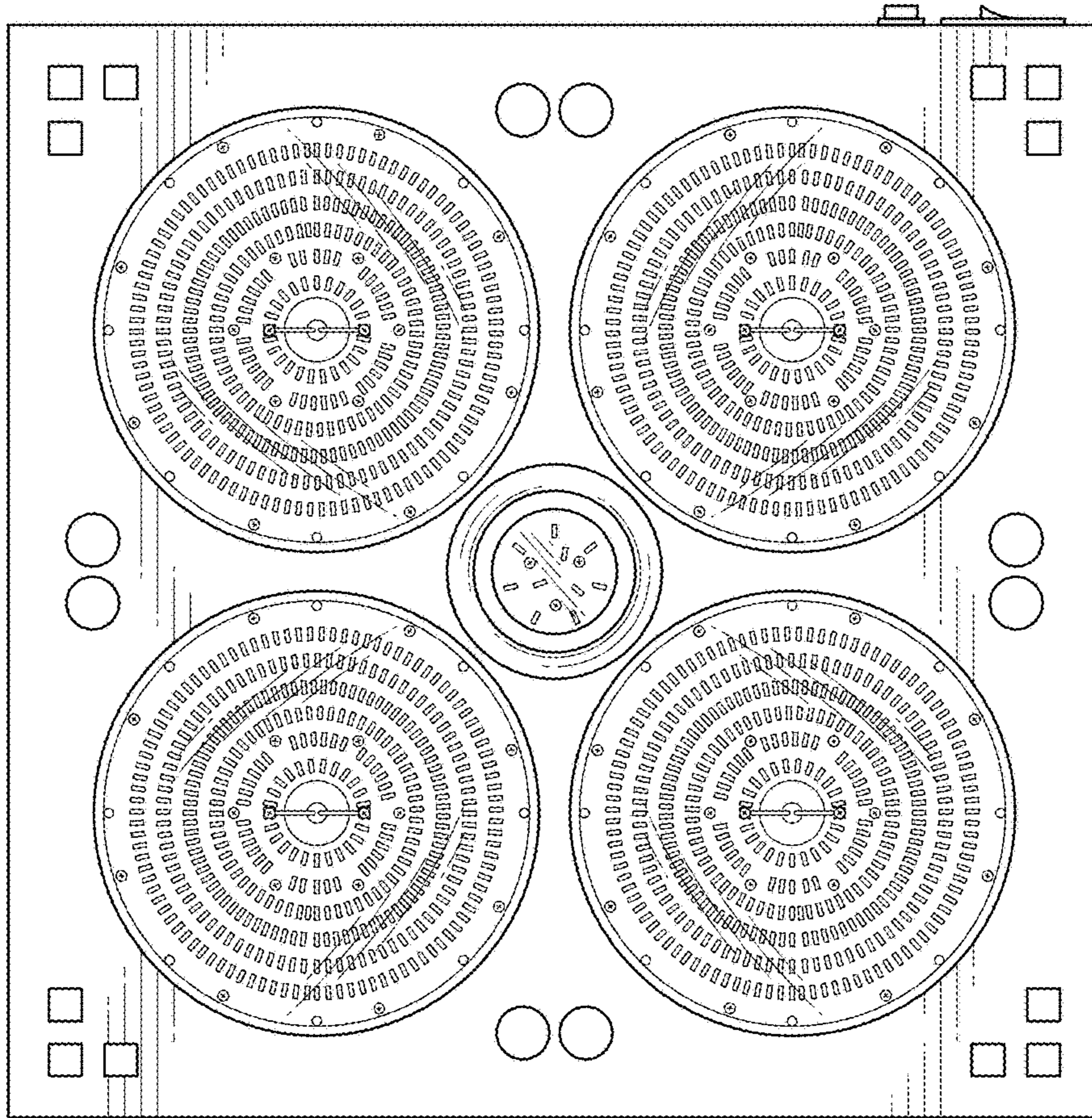


FIG. 2

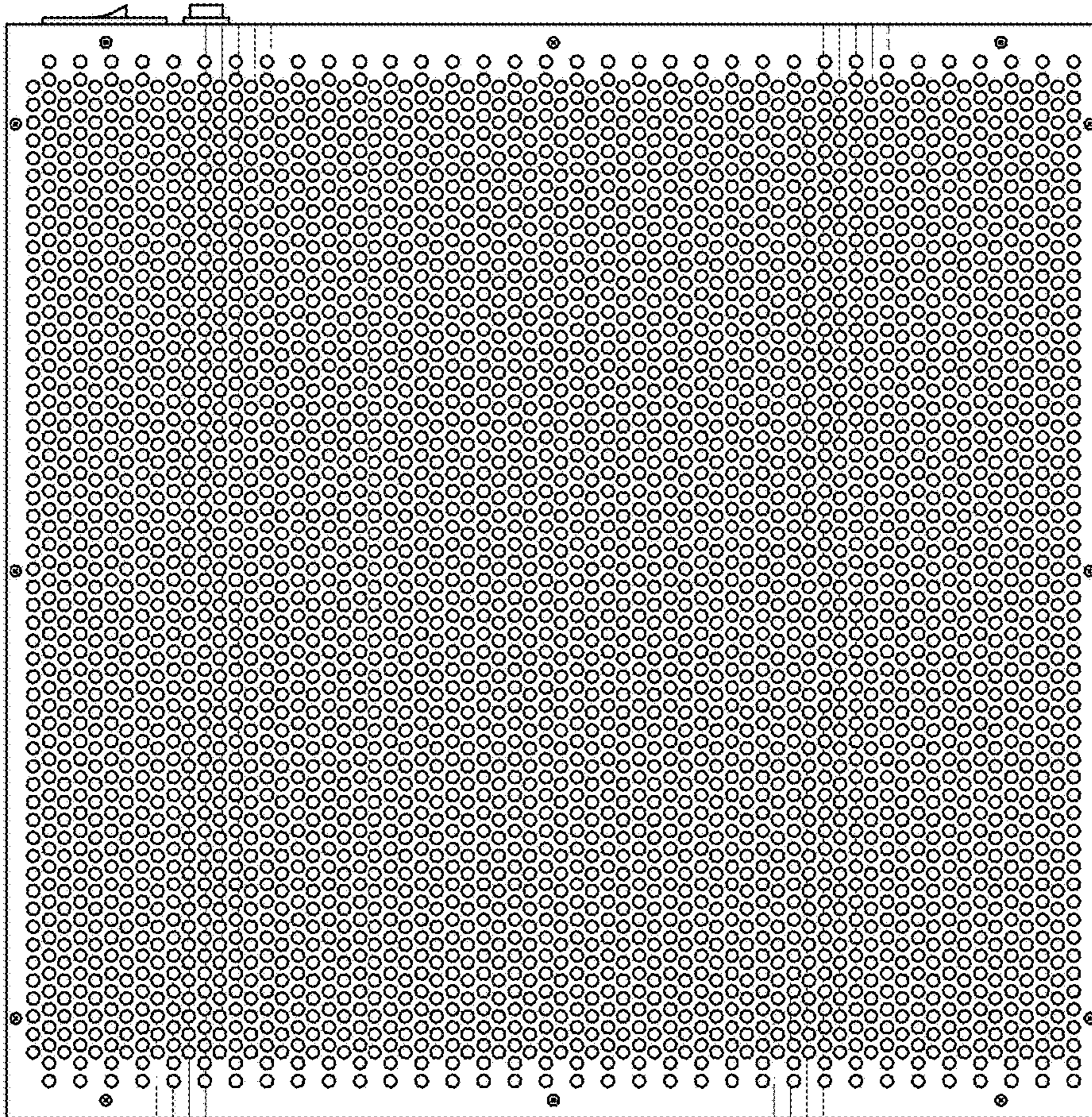


FIG. 3

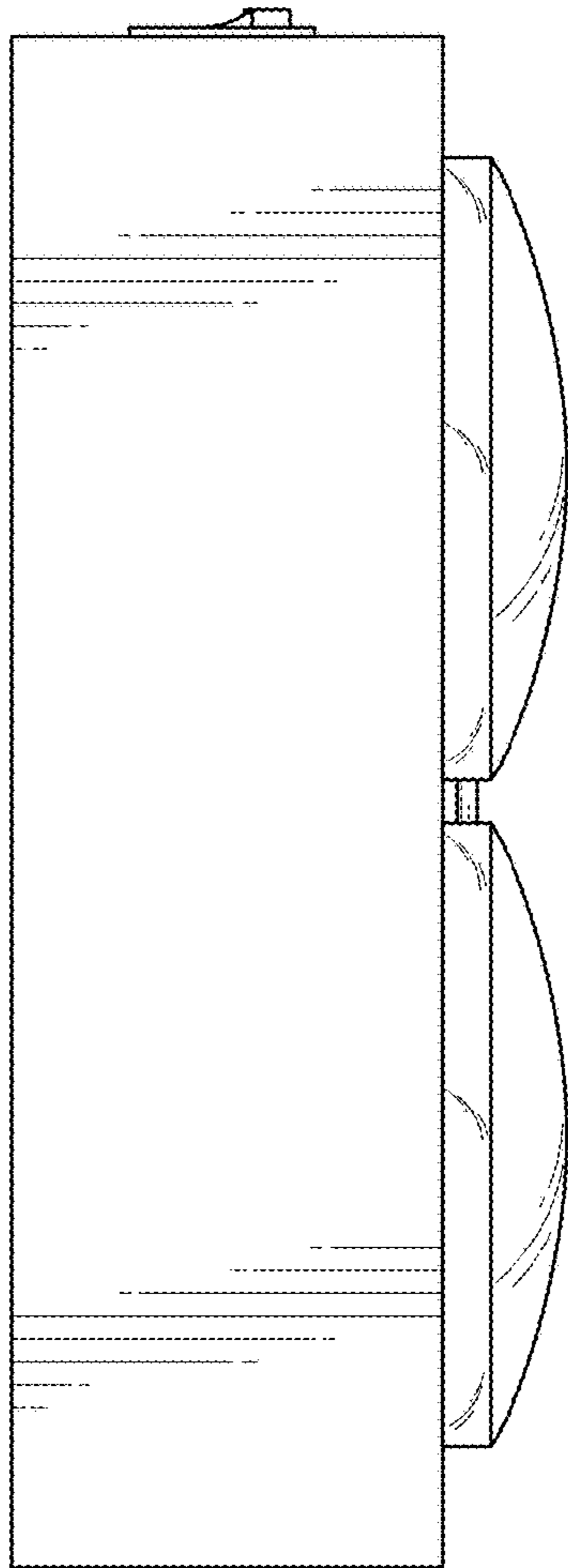


FIG. 4

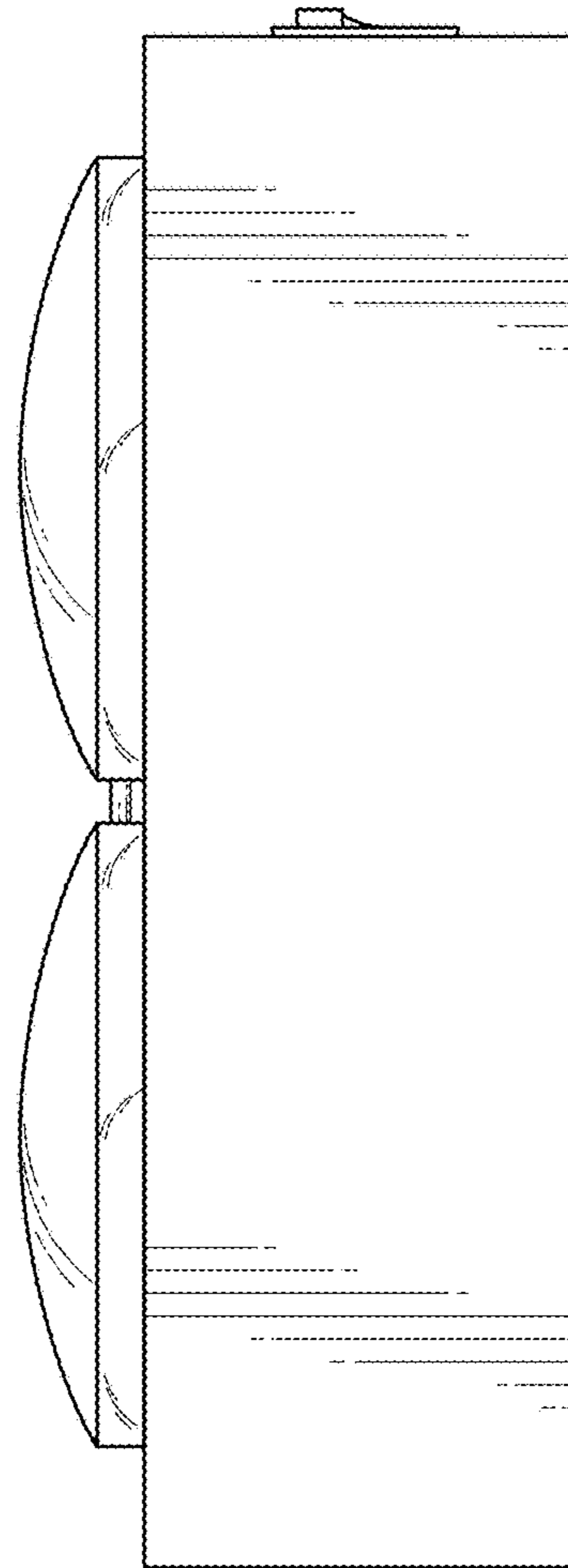


FIG. 5

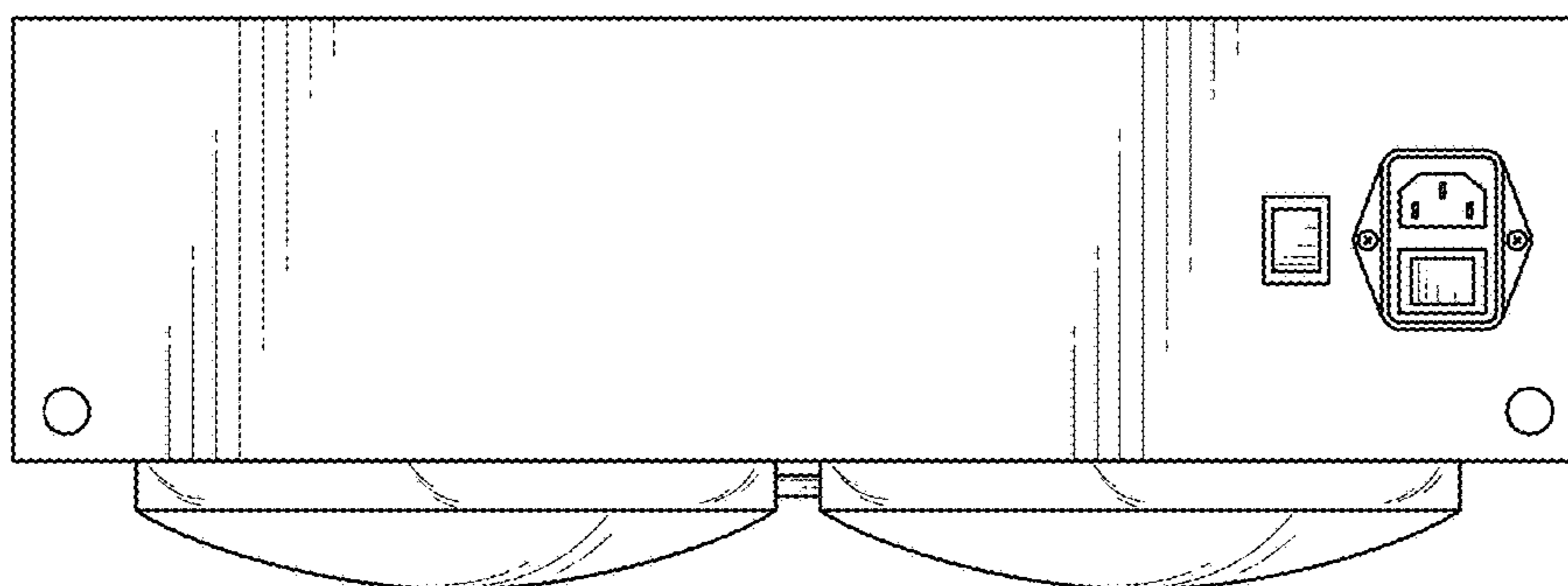


FIG. 6

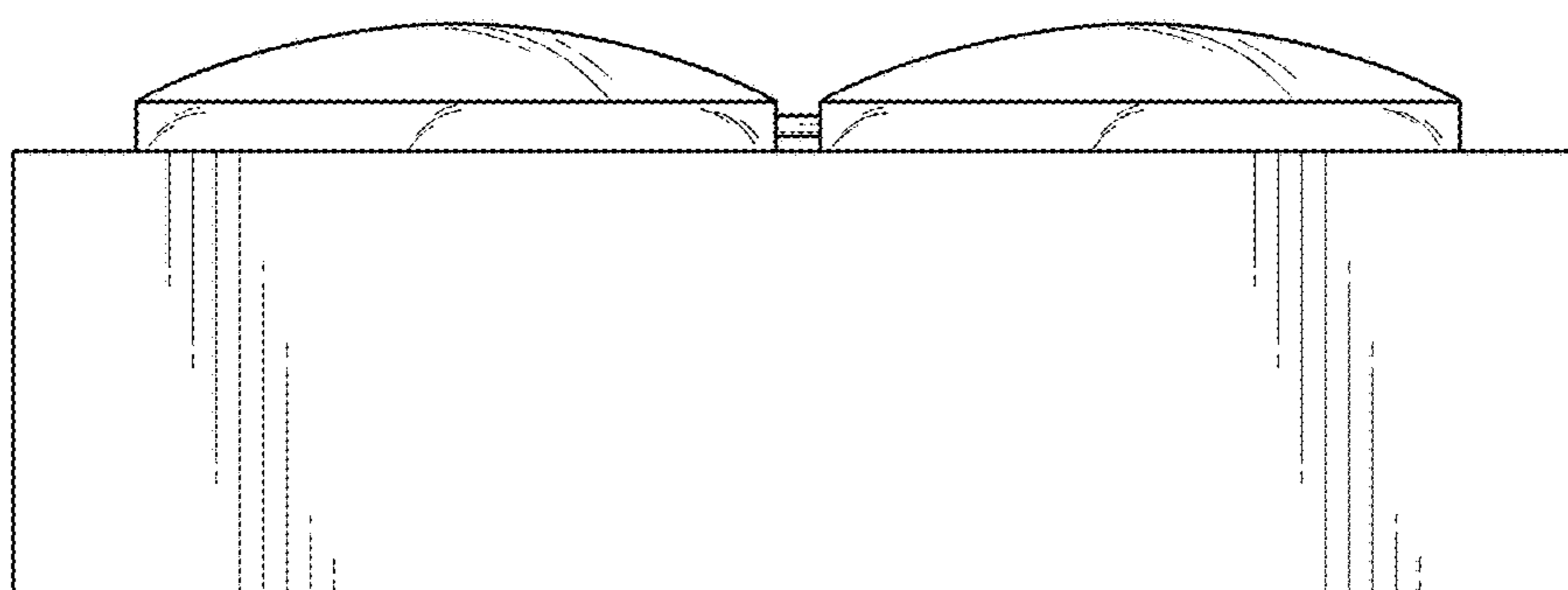


FIG. 7