



US00D866055S

(12) **United States Design Patent**
Chew

(10) **Patent No.:** **US D866,055 S**

(45) **Date of Patent:** **** Nov. 5, 2019**

(54) **LATTICE LAMP**

(71) Applicant: **Kin M. Chew**, Minneapolis, MN (US)

(72) Inventor: **Kin M. Chew**, Minneapolis, MN (US)

(**) Term: **15 Years**

(21) Appl. No.: **29/628,020**

(22) Filed: **Nov. 30, 2017**

(51) **LOC (12) Cl.** **26-03**

(52) **U.S. Cl.**
USPC **D26/106**

(58) **Field of Classification Search**
USPC D26/24, 93, 104, 105, 110, 112; D6/571,
D6/719, 675.1

CPC A61N 5/0616; A61N 5/0618; A61N
2005/0652; A61N 2005/0654; A61N
2005/0642; A61N 2005/0644; A61N
2005/0636; A61N 2005/0626; A61N
2005/0627; A61B 2018/00452; A61B
2018/1807; F21S 6/002; F21S 6/003;
F21S 6/005; F21V 21/06

See application file for complete search history.

(56) **References Cited**

U.S. PATENT DOCUMENTS

D424,734 S * 5/2000 Gager D26/106
D619,376 S * 7/2010 Schopmeyer D6/719

D648,058 S * 11/2011 Chen D26/93
D675,769 S * 2/2013 Choi D26/106
D720,555 S * 1/2015 Nelson D6/571
D725,811 S * 3/2015 Quitlet D26/106
D782,726 S * 3/2017 Thompson D26/93
D783,320 S * 4/2017 Merritt D6/675.1
D825,233 S * 8/2018 Yamamoto D6/675.1

* cited by examiner

Primary Examiner — Brian N. Vinson

(74) *Attorney, Agent, or Firm* — Albert W. Watkins

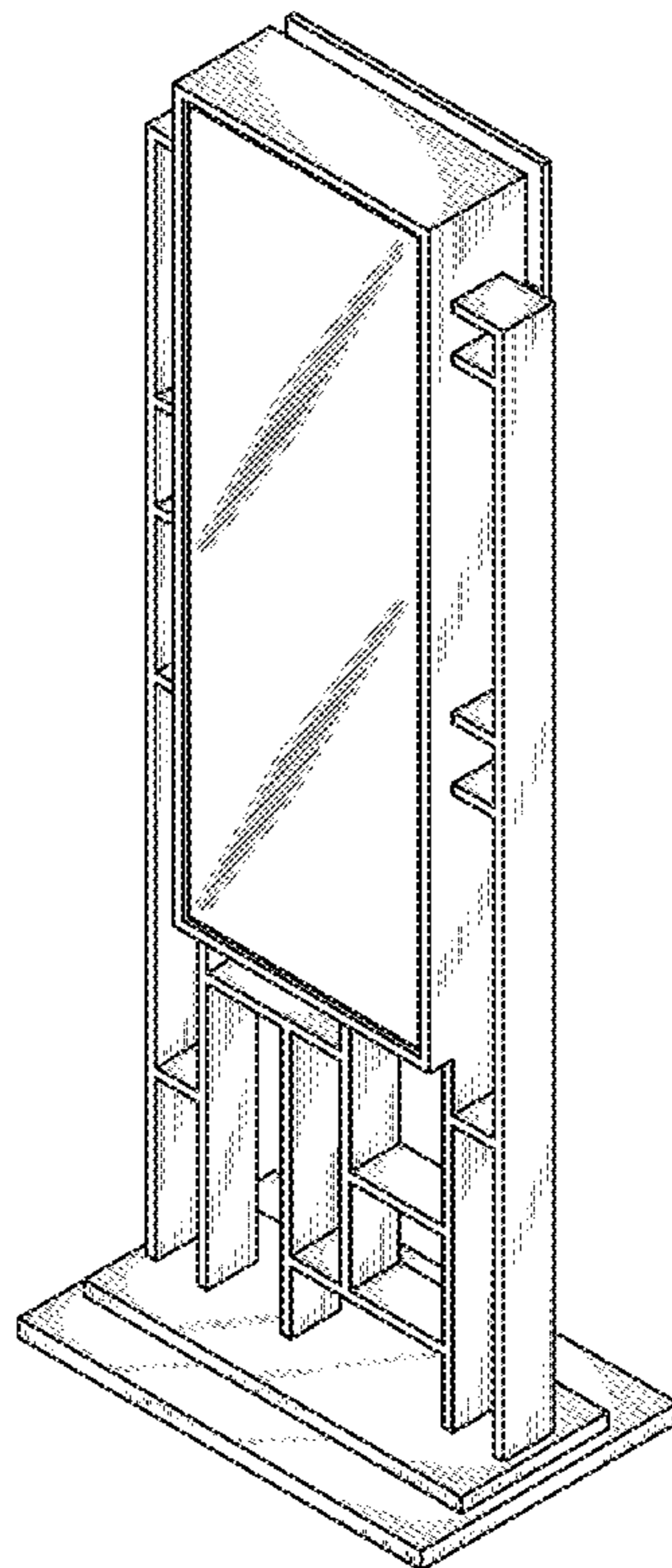
(57) **CLAIM**

The ornamental design for a lattice lamp, as shown and described.

DESCRIPTION

FIG. 1 is an isometric view showing my new design of the lattice lamp;
FIG. 2 is a front elevational view thereof;
FIG. 3 is a back elevational view;
FIG. 4 is a left side elevational view, with the right side elevational view being a mirror image thereof;
FIG. 5 is a top plan view; and,
FIG. 6 is a bottom plan view.

1 Claim, 6 Drawing Sheets



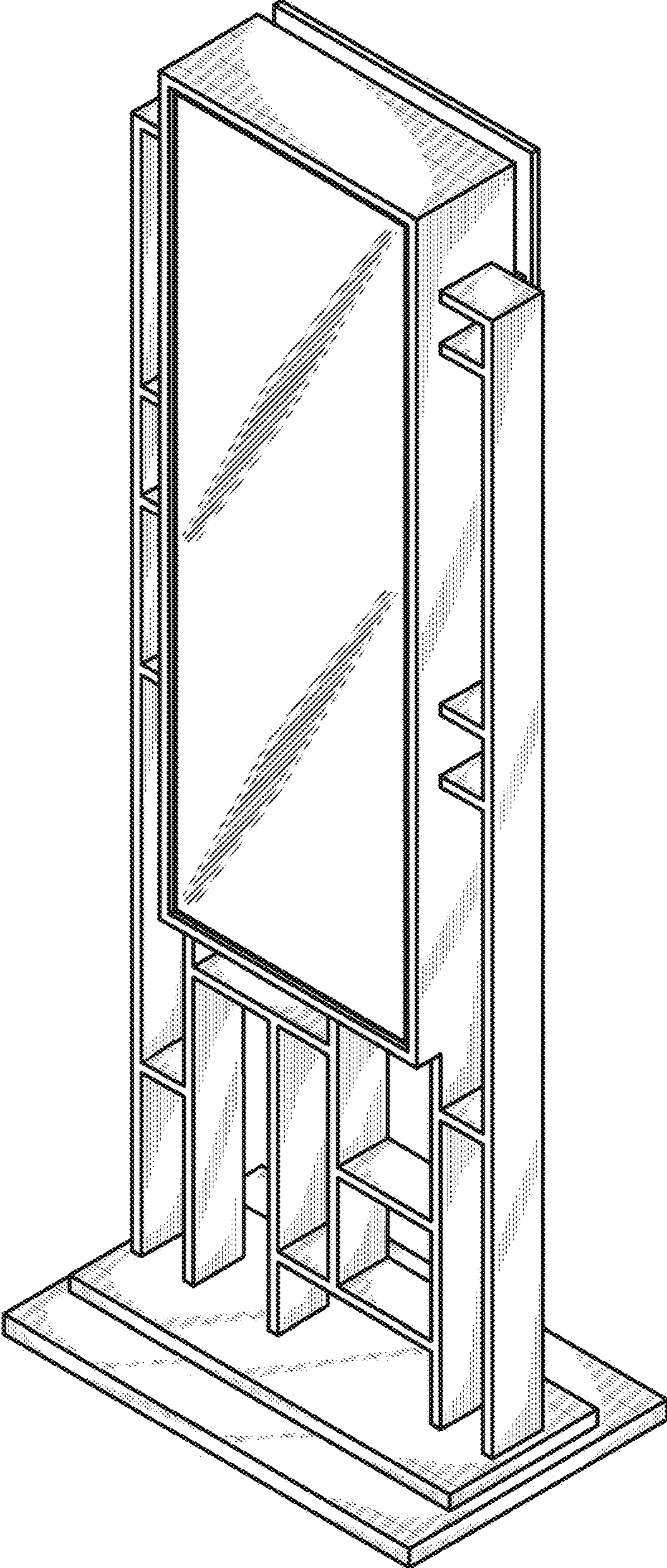


Fig. 1

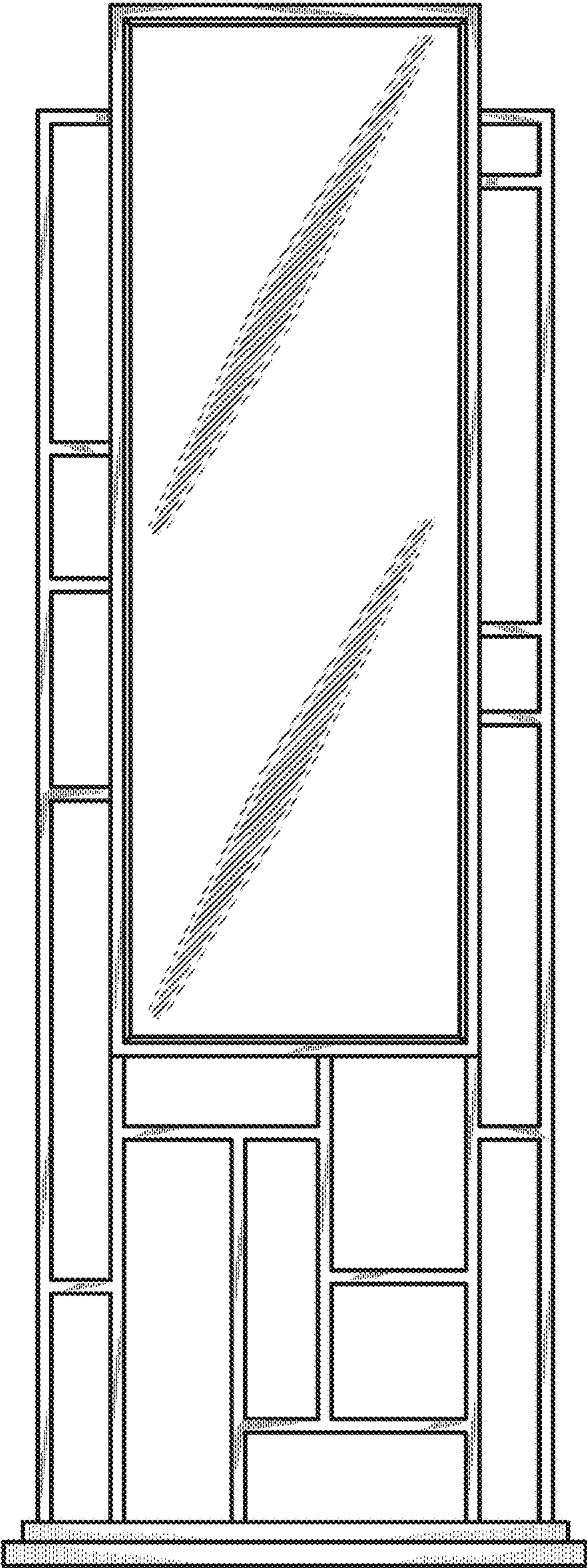


Fig. 2

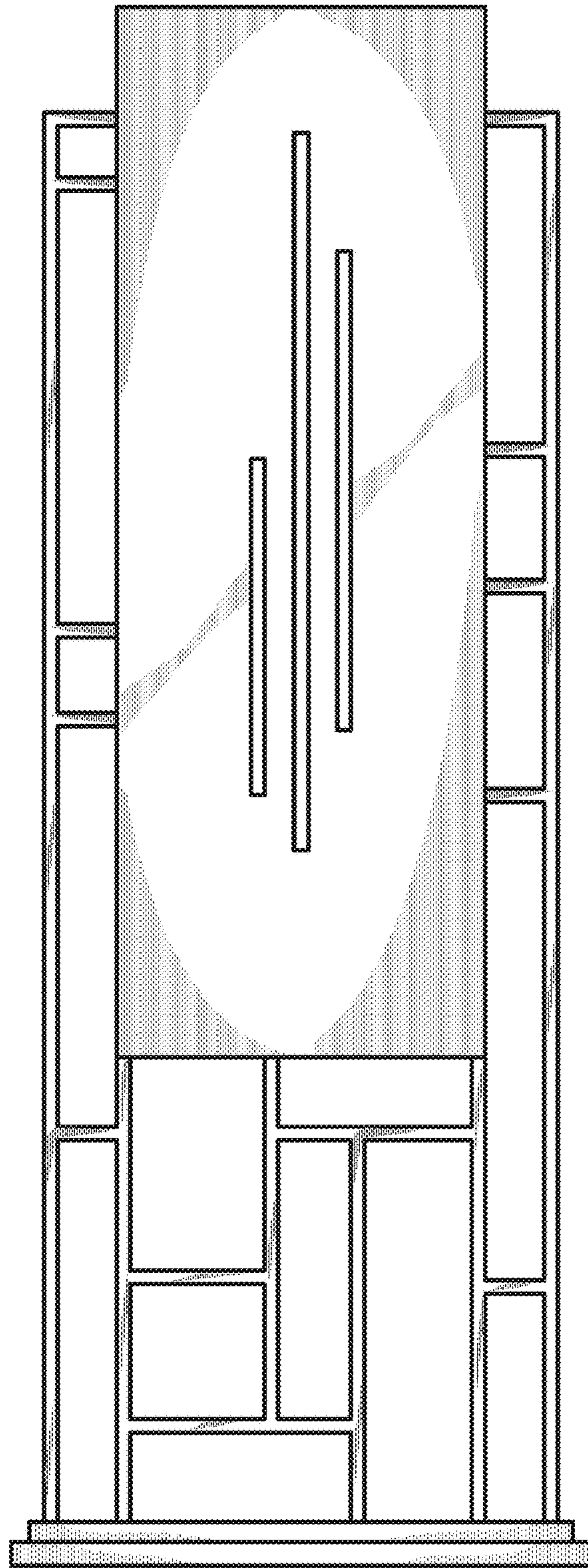


Fig. 3

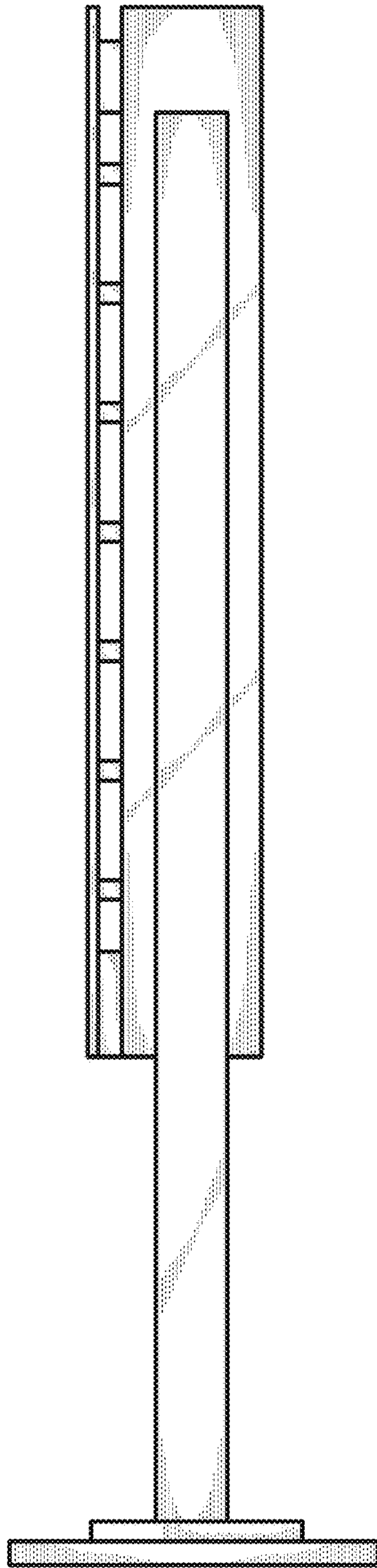


Fig. 4

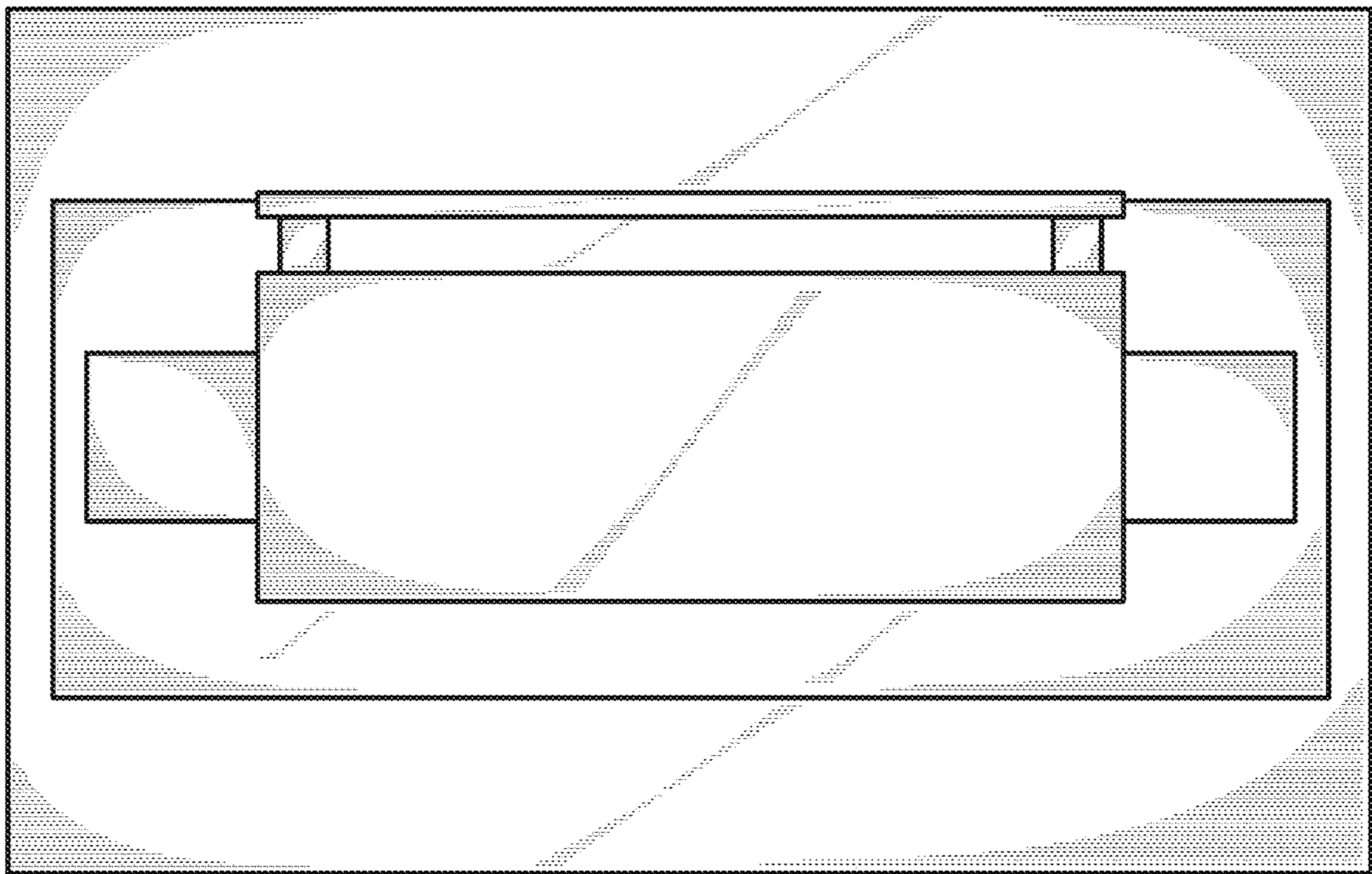


Fig. 5

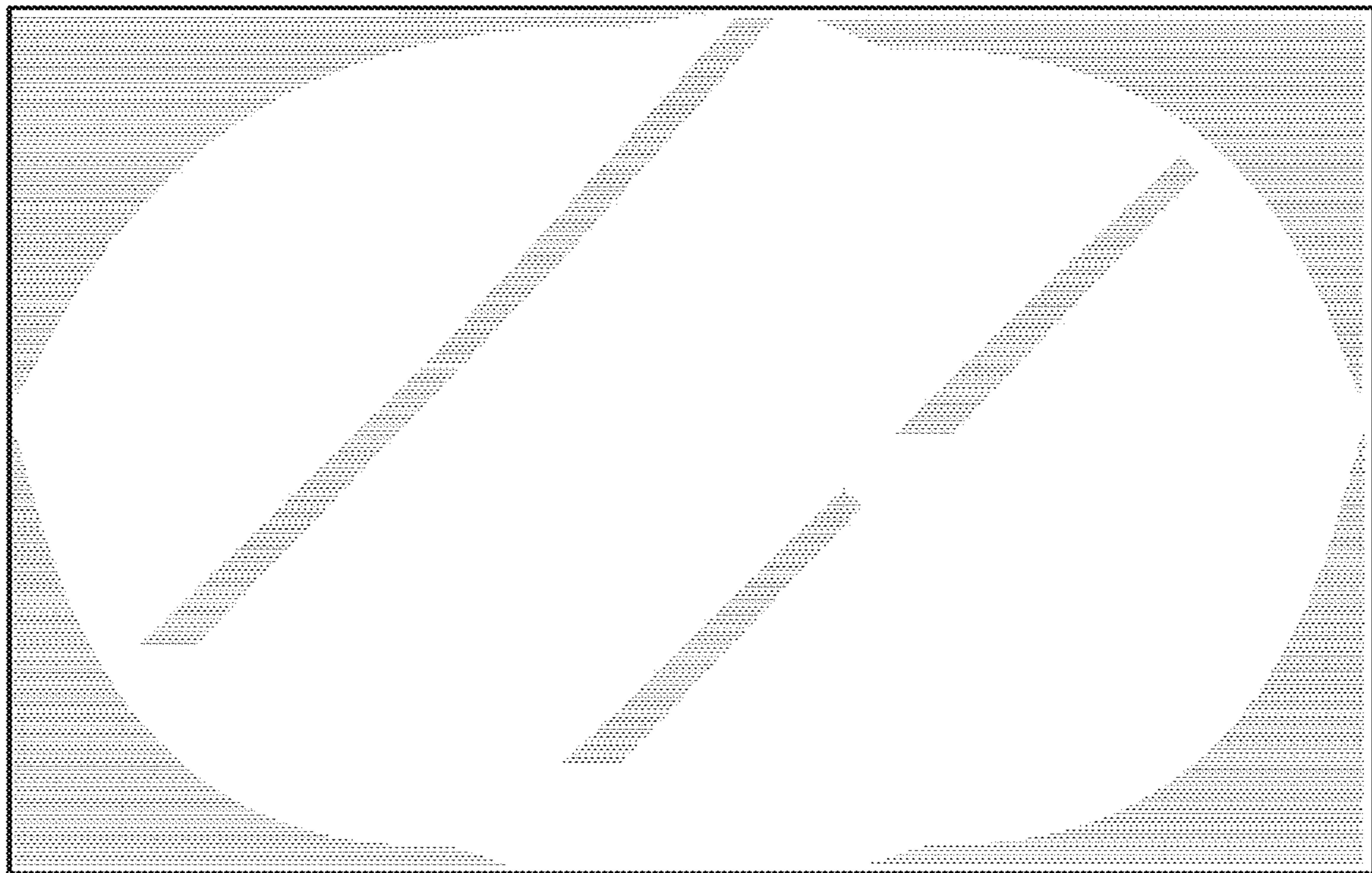


Fig. 6