



US00D866050S

(12) **United States Design Patent**  
**Jung et al.**

(10) **Patent No.:** **US D866,050 S**  
(45) **Date of Patent:** **\*\* Nov. 5, 2019**

(54) **CEILING LIGHT**

(71) Applicant: **LG DISPLAY CO., LTD.**, Seoul (KR)

(72) Inventors: **Seon Wook Jung**, Paju-si (KR); **Chi Young Lee**, Paju-si (KR); **Duck Su Oh**, Paju-si (KR); **Hye Cho Shin**, Paju-si (KR)

(73) Assignee: **LG DISPLAY CO., LTD.**, Seoul (KR)

(\*\*) Term: **15 Years**

(21) Appl. No.: **29/639,582**

(22) Filed: **Mar. 7, 2018**

(30) **Foreign Application Priority Data**

Sep. 7, 2017 (KR) ..... 30-2017-0041999

(51) **LOC (12) Cl.** ..... **26-03**

(52) **U.S. Cl.**  
USPC ..... **D26/91**

(58) **Field of Classification Search**  
USPC ..... D26/72, 80, 81, 82, 84, 85, 86, 88, 90,  
D26/91, 118, 120  
CPC .... F21S 8/04; F21S 8/043; F21S 8/046; F21S  
8/06; F21S 8/063; F21S 8/065; F21S  
8/066; F21S 8/068

See application file for complete search history.

(56) **References Cited**

**U.S. PATENT DOCUMENTS**

D45,521 S \* 3/1914 Brinckerhoff ..... D26/120  
D309,955 S \* 8/1990 Gismondi ..... D26/87  
D325,998 S \* 5/1992 Shaw ..... D26/131  
6,227,687 B1 \* 5/2001 Kahwaji ..... F21S 6/005  
362/248  
D540,978 S \* 4/2007 Cormier ..... D26/120  
D610,299 S \* 2/2010 Ngai ..... D26/120  
D613,449 S \* 4/2010 Ngai ..... D26/120  
D618,839 S \* 6/2010 Ngai ..... D26/120

D636,521 S \* 4/2011 Lovegrove ..... D26/88  
D641,921 S \* 7/2011 Sabernig ..... D26/120  
D675,774 S \* 2/2013 Stathis ..... D26/120  
D675,775 S \* 2/2013 Stathis ..... D26/120  
D688,410 S \* 8/2013 Ng ..... D26/93  
D700,989 S \* 3/2014 Rampolla ..... D26/88  
D745,735 S \* 12/2015 Tran ..... D26/80  
D759,292 S \* 6/2016 Zahn ..... D26/120  
D769,507 S \* 10/2016 Raasch ..... F21S 6/005  
D26/88  
D781,493 S \* 3/2017 Urquiola ..... D26/118  
D791,386 S \* 7/2017 Arndt ..... D26/88

(Continued)

**OTHER PUBLICATIONS**

News Item dated Mar. 14, 2016 titled "LG Display to Showcase Cutting-edge OLED Light Products and Solutions at Light+Building 2016 in Frankfurt". <www.lgdisplay.com/eng/prcenter/newsList#> and <www.lgdisplay.com/eng/prcenter/newsView> (Year: 2016).\*

(Continued)

*Primary Examiner* — Clare E Heflin

(74) *Attorney, Agent, or Firm* — Birch, Stewart, Kolasch & Birch, LLP

(57) **CLAIM**

The ornamental design for a ceiling light, as shown and described.

**DESCRIPTION**

FIG. 1 is a perspective view of the ceiling light showing our new design;

FIG. 2 is a front view thereof;

FIG. 3 is a rear view thereof;

FIG. 4 is a left-side view thereof;

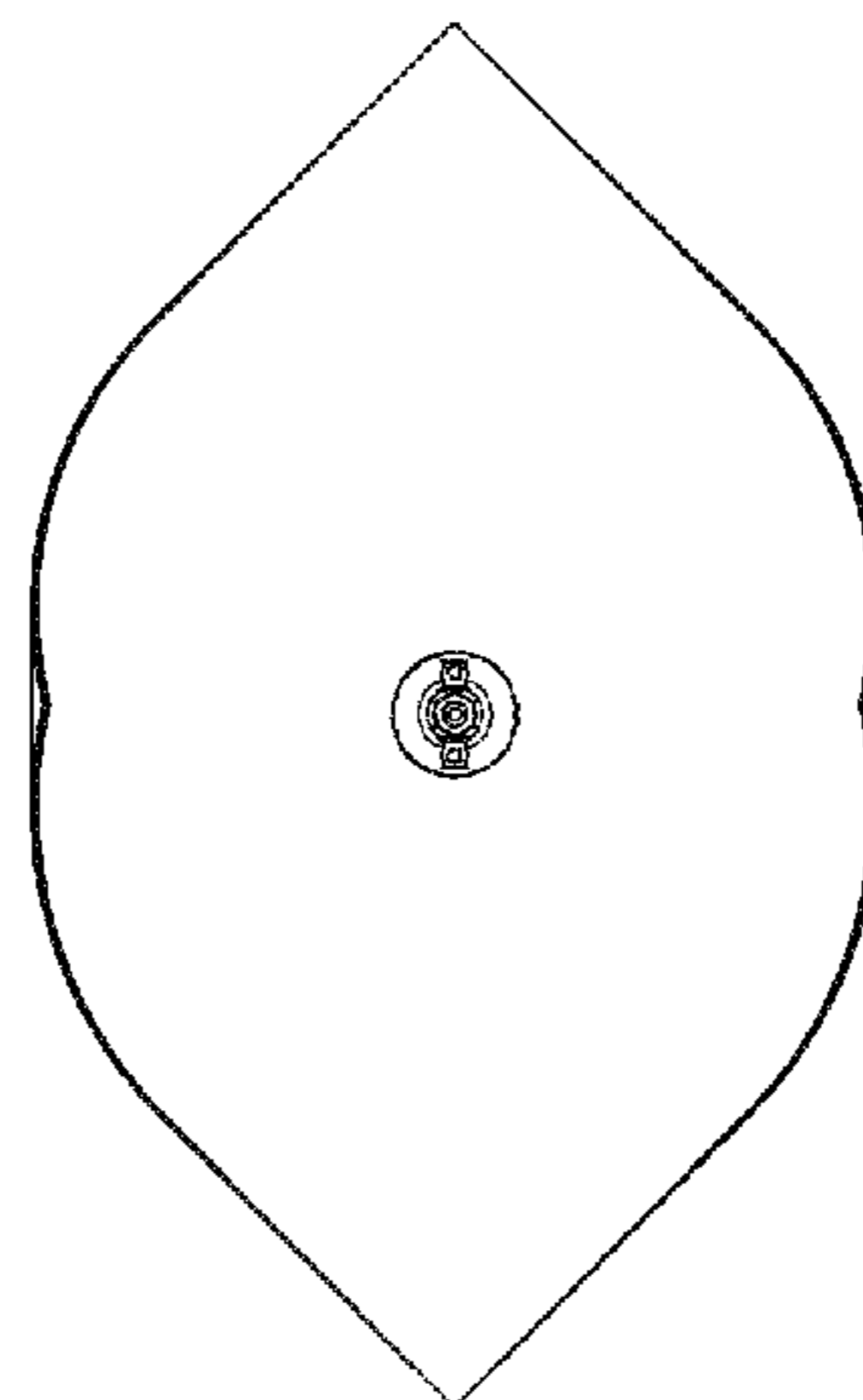
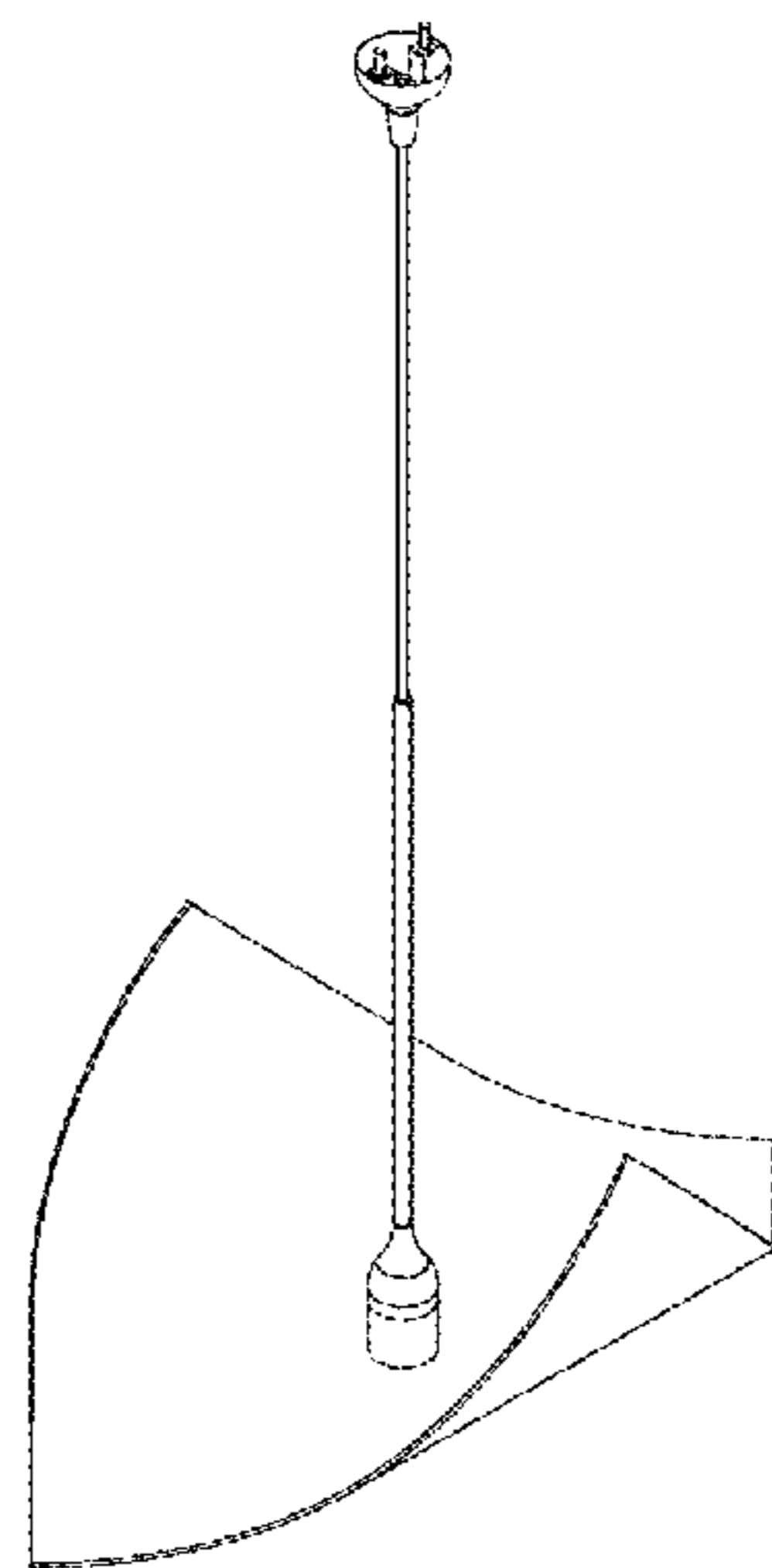
FIG. 5 is a right-side view thereof;

FIG. 6 is a top plan view thereof;

FIG. 7 is a bottom view thereof; and,

FIG. 8 is an exploded perspective view thereof.

**1 Claim, 8 Drawing Sheets**



(56)

**References Cited**

U.S. PATENT DOCUMENTS

D792,005 S \* 7/2017 Sonneman ..... D26/87  
D797,347 S \* 9/2017 Sonneman ..... D26/86  
D801,575 S \* 10/2017 Chung ..... D26/120  
D807,561 S \* 1/2018 Ng ..... D26/88  
D829,958 S \* 10/2018 Brennenstuhl ..... D26/88

OTHER PUBLICATIONS

Article titled, "LG Display to Build World's First 5th Generation OLED Light Panel Plant" from PR Newswire, published Mar. 17, 2016. <<https://www.prnewswire.com/news-releases/lg-display-to-build-worlds-first-5th-generation-oled-light-panel-plant-300237655.html>> (Year: 2016).\*

LG Display OLED light at Light+Building 2016 video, published Mar. 29, 2016. <[https://www.youtube.com/watch?time\\_continue=30&v=NufH1LwIERA](https://www.youtube.com/watch?time_continue=30&v=NufH1LwIERA)> (Year: 2016).\*

\* cited by examiner

FIG. 1

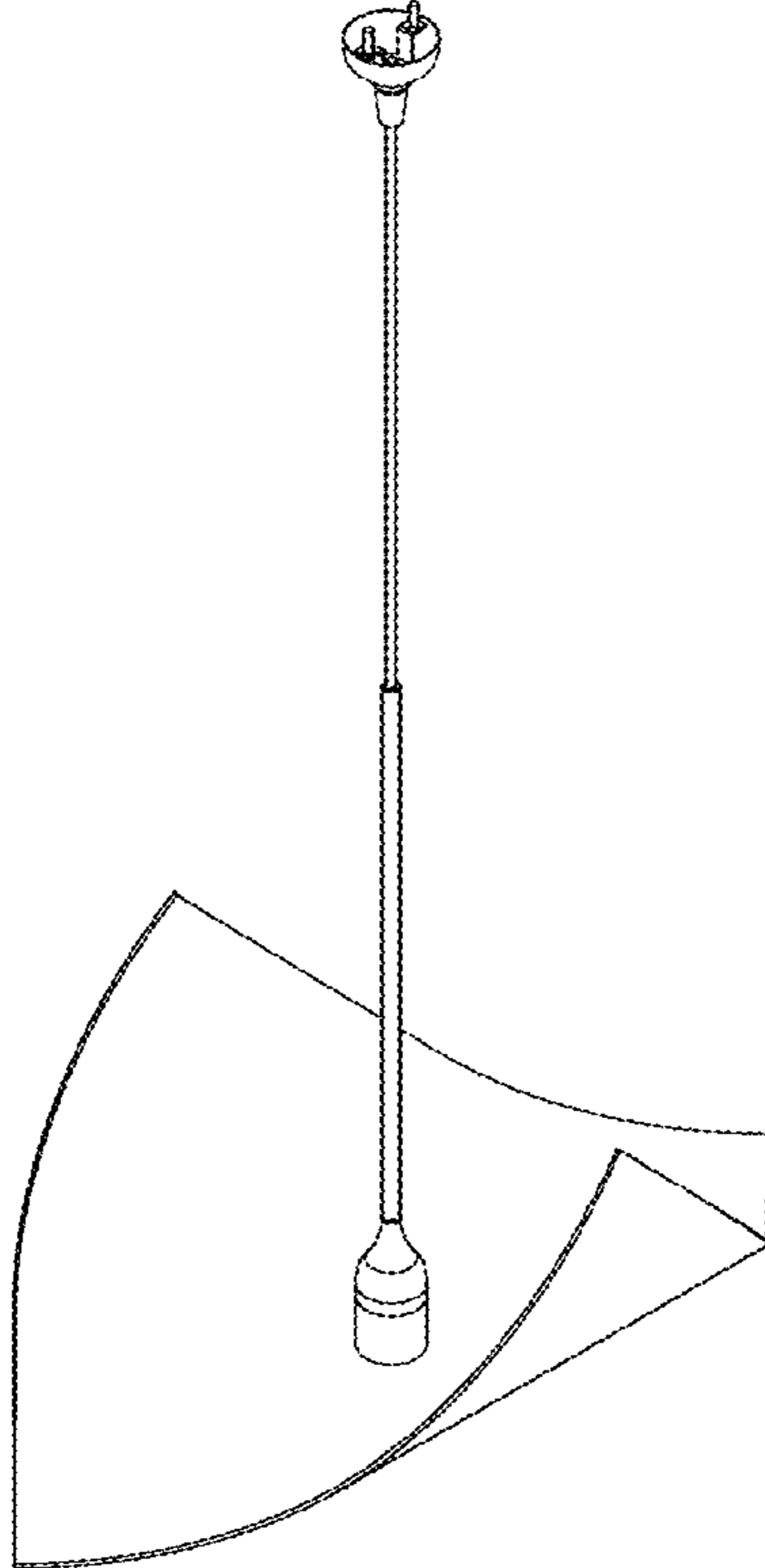


FIG. 2

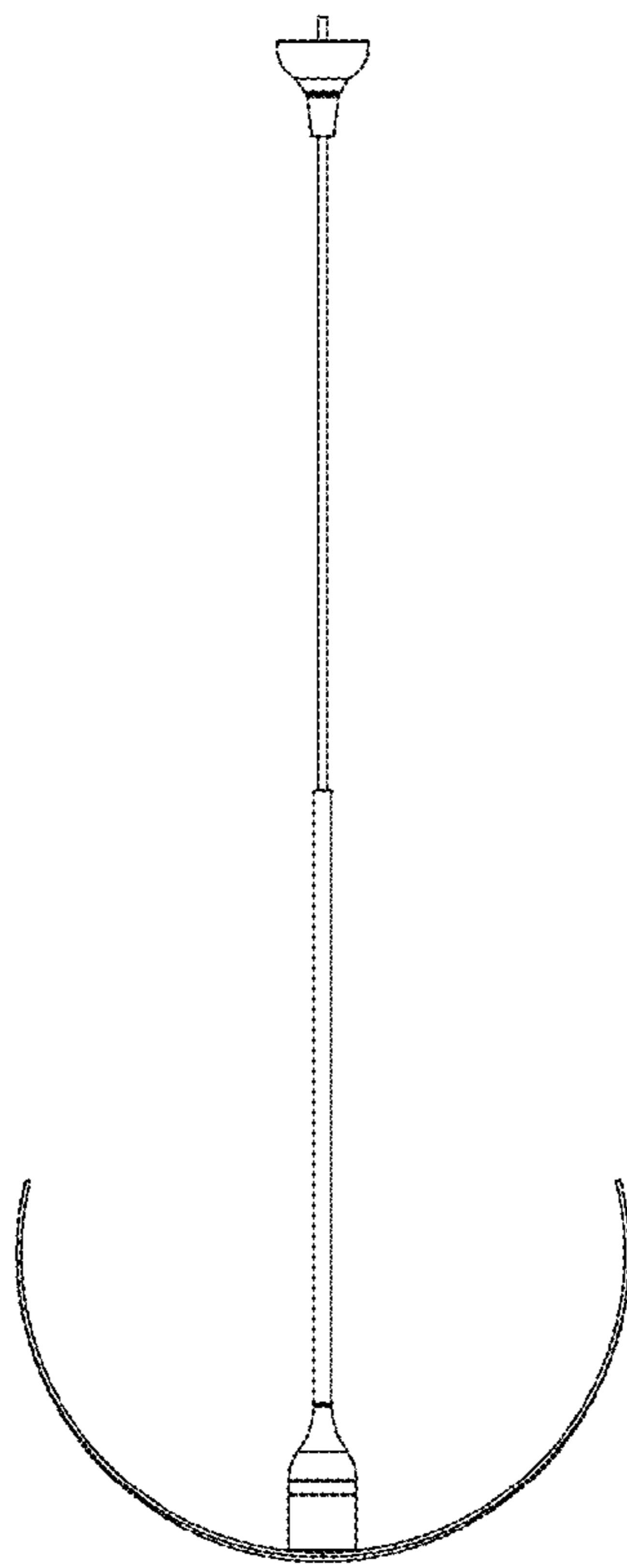


FIG. 3

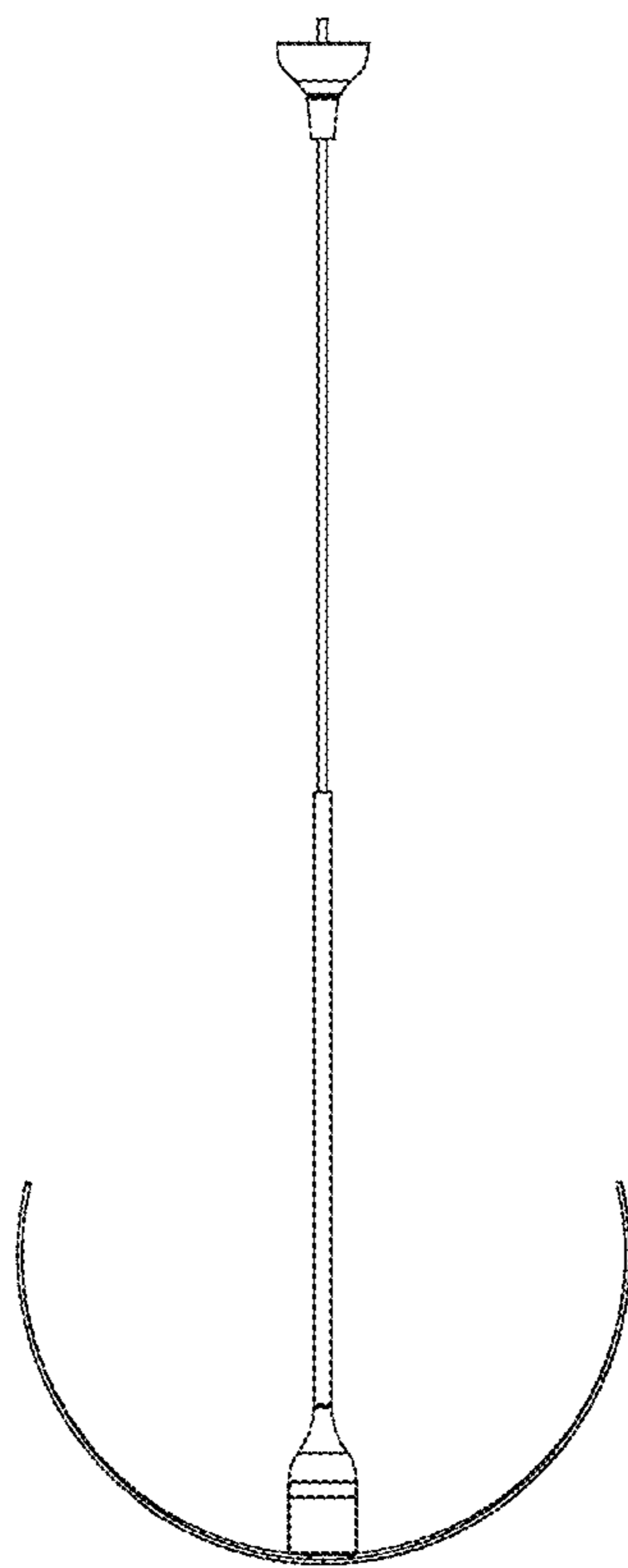


FIG. 4

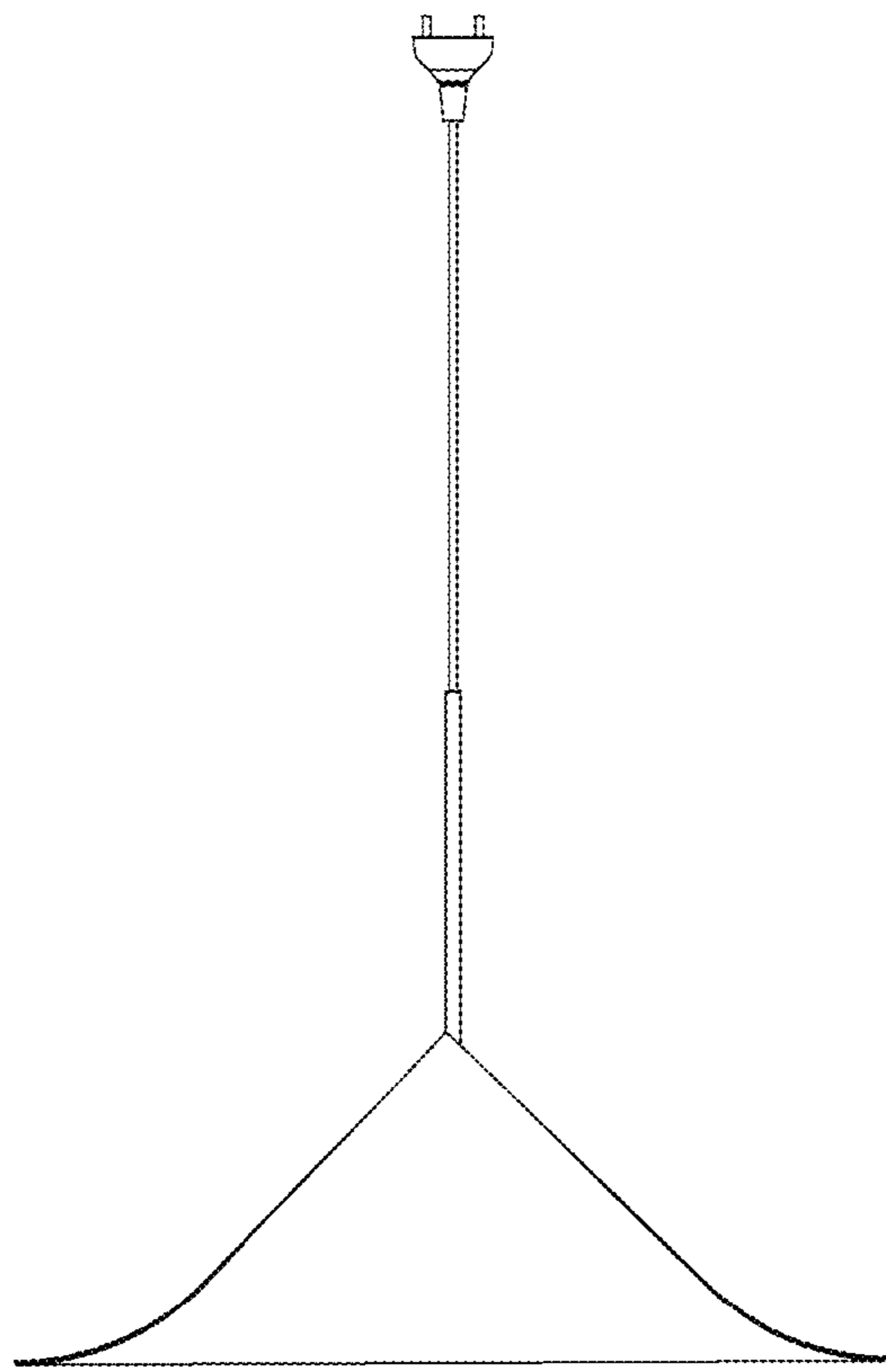


FIG. 5

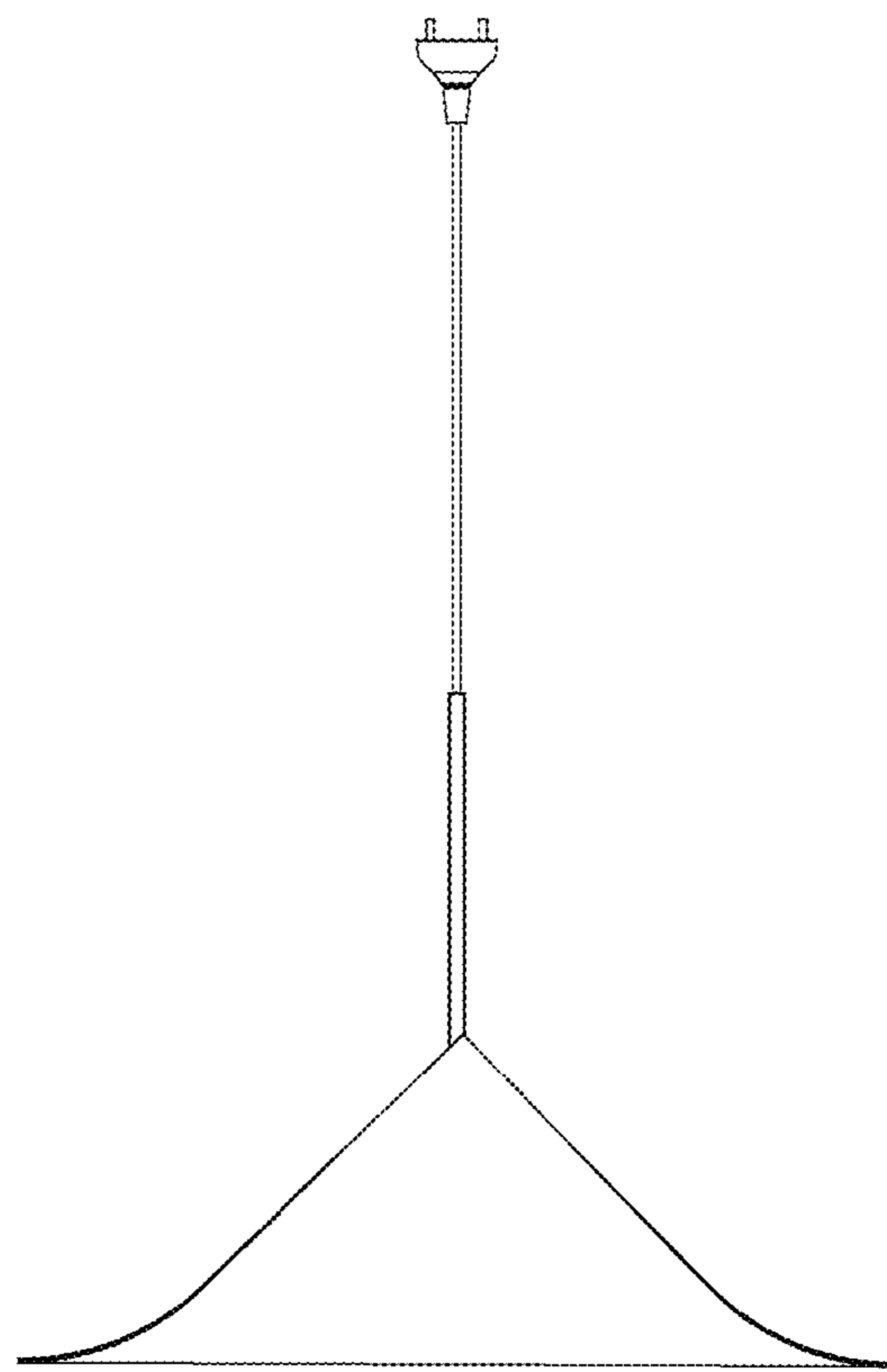


FIG. 6

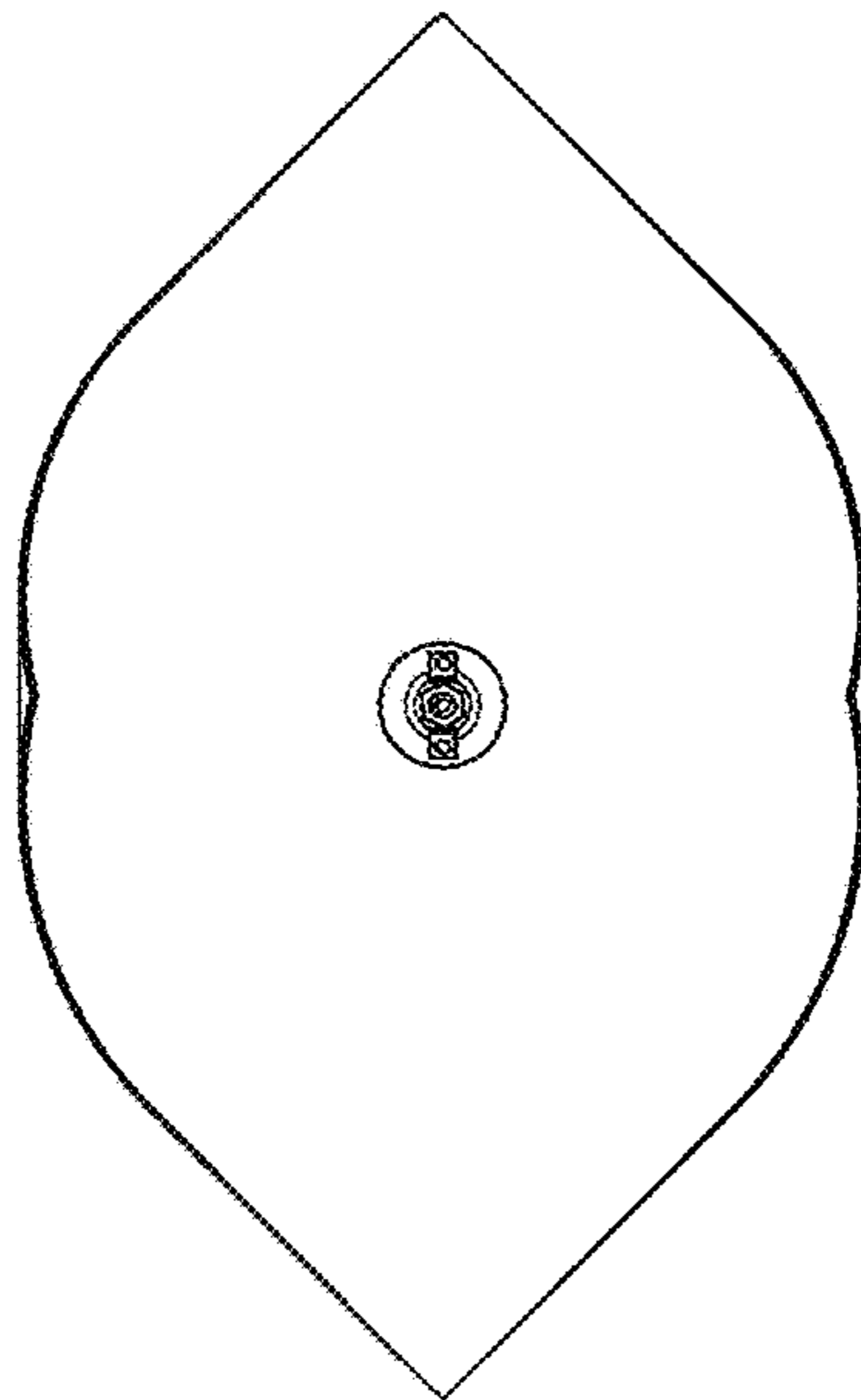




FIG. 7

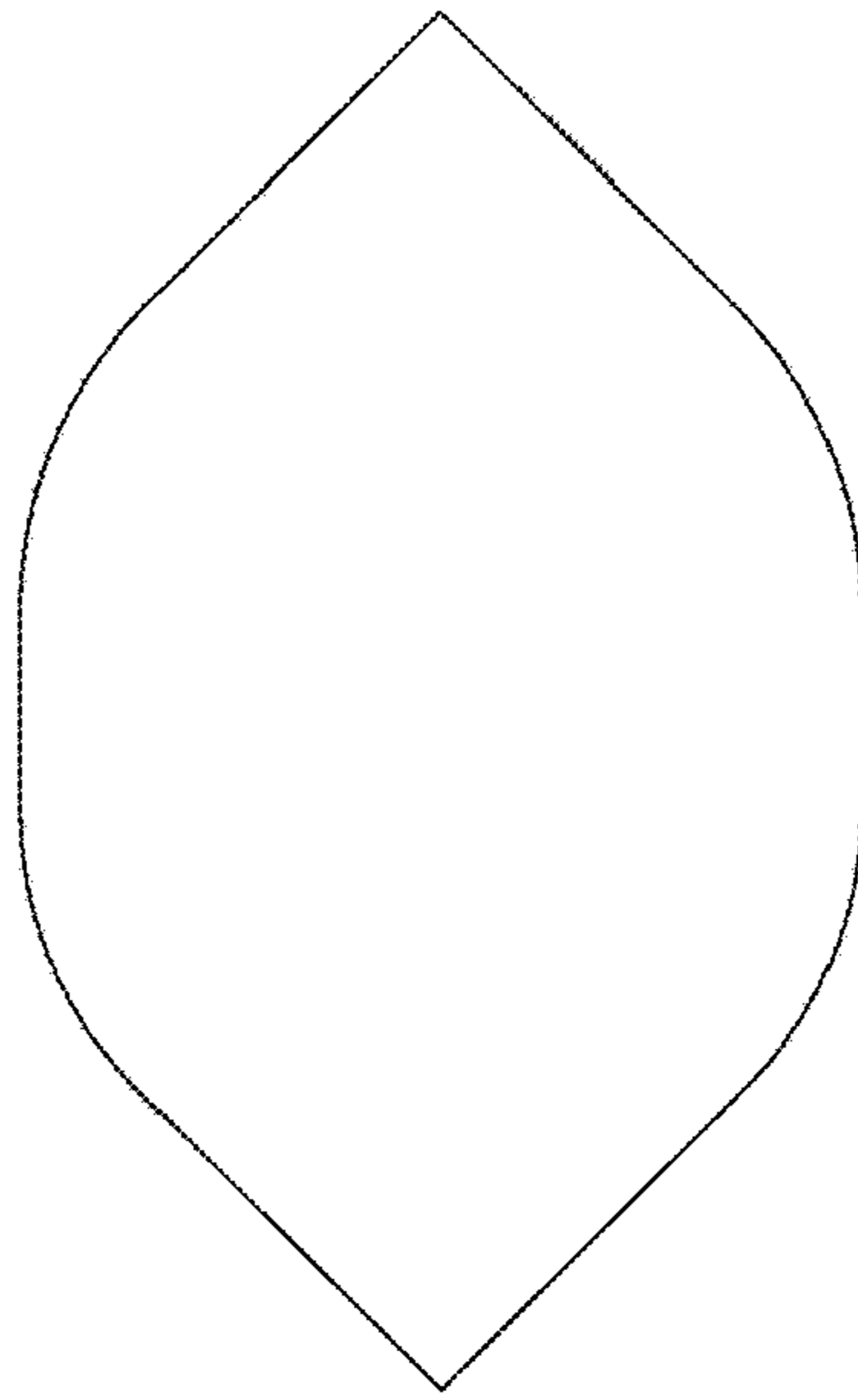


FIG. 8

