

US00D866043S

(12) **United States Design Patent** (10) **Patent No.:** **US D866,043 S**  
**Hu** (45) **Date of Patent:** **\*\* Nov. 5, 2019**

(54) **SOLAR LAMP**

(71) Applicant: **MPOW TECHNOLOGY CO., LIMITED**, Hong Kong (HK)

(72) Inventor: **Zaihui Hu**, Shenzhen (CN)

(73) Assignee: **MPOW TECHNOLOGY CO., LIMITED**, Hong Kong (HK)

(\*\*) Term: **15 Years**

(21) Appl. No.: **29/690,210**

(22) Filed: **May 6, 2019**

**Related U.S. Application Data**

(63) Continuation-in-part of application No. 29/633,542, filed on Jan. 15, 2018.

(51) **LOC (12) Cl.** ..... **28-05**

(52) **U.S. Cl.**  
USPC ..... **D26/85**

(58) **Field of Classification Search**  
USPC ..... D10/104.1, 106.1, 106.6, 106.8;  
D25/133, 135, 136; D26/10, 37, 38, 40,  
D26/51, 60, 67, 68, 72, 76, 78, 82, 85,  
D26/86, 104, 106, 145  
CPC ..... F21S 8/00; F21S 8/02; F21S 8/04; F21S  
8/003; F21S 8/006; F21S 6/00; F21S  
9/022; F21S 9/037  
See application file for complete search history.

(56) **References Cited**

**U.S. PATENT DOCUMENTS**

D796,975 S \* 9/2017 Jou ..... D10/106.6  
D805,236 S 12/2017 Exley  
D816,259 S \* 4/2018 Liu ..... D26/85  
D822,874 S \* 7/2018 Hu ..... D26/85  
D835,830 S \* 12/2018 Liu ..... D26/85  
D836,816 S \* 12/2018 Liu ..... D26/85  
D836,817 S \* 12/2018 Fang ..... D26/85

D841,218 S \* 2/2019 Liu ..... D26/85  
D842,527 S \* 3/2019 Liu ..... D26/85  
D844,213 S \* 3/2019 Liu ..... D26/85  
D849,988 S \* 5/2019 Li ..... D26/85

(Continued)

**FOREIGN PATENT DOCUMENTS**

EM 003109495-0002 6/2016

**OTHER PUBLICATIONS**

LITOM Solar Motion Lights, Enhanced 63 LED Solar Lights (available online Nov. 4, 2018) Retrieved from the internet Jun. 6, 2019 from URL: <https://www.amazon.com/63-LED-Solar-Waterproof-Wall/dp/B07K677Q4X>.\*

(Continued)

*Primary Examiner* — Kevin K Rudzinski

*Assistant Examiner* — Richard Kearney

(74) *Attorney, Agent, or Firm* — JCIPRNET

(57) **CLAIM**

The ornamental design for a solar lamp, as shown and described.

**DESCRIPTION**

FIG. 1 is a perspective view of a solar lamp showing my new design;

FIG. 2 is a front view thereof;

FIG. 3 is a rear view thereof;

FIG. 4 is a left side view thereof;

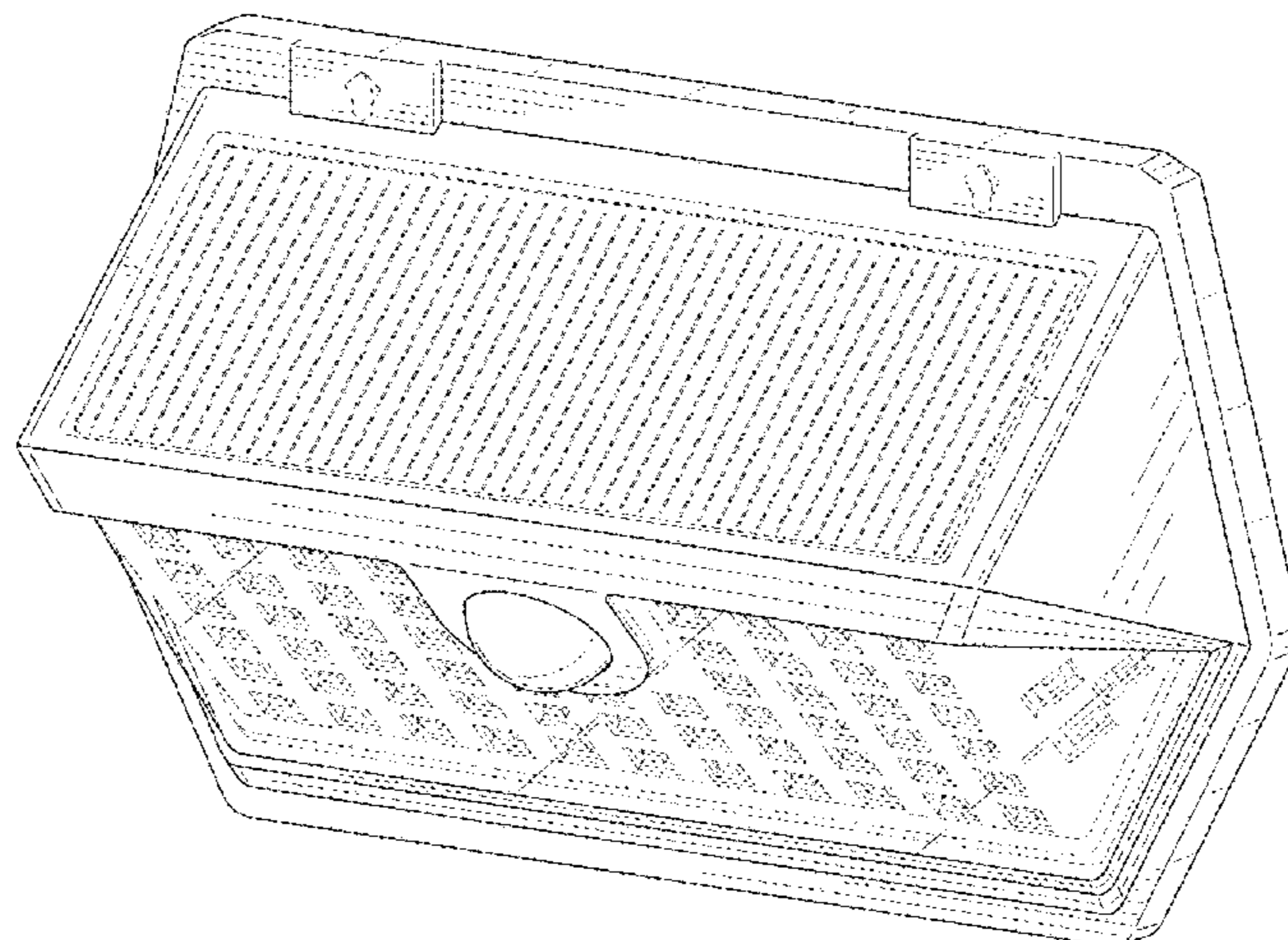
FIG. 5 is a right side view thereof;

FIG. 6 is a top view thereof; and,

FIG. 7 is a bottom view thereof.

The broken line portions of the solar lamp in the drawings represent portions of the solar lamp that form no part of the claimed design. The oblique line shading shown in the drawings indicates a transparent or translucent surface.

**1 Claim, 6 Drawing Sheets**



(56)

**References Cited**

U.S. PATENT DOCUMENTS

D850,701 S \* 6/2019 Zhuo ..... D26/85

OTHER PUBLICATIONS

Mpow\_Solar\_Lights\_Outdoor\_Bright\_20\_LED\_Motion\_Activated\_Lights (available online Jan. 25, 2018) Retrieved from the internet Jun. 6, 2019 from URL: <https://www.amazon.com/Mpow-Activated-Lighting-Waterproof-Wireless/dp/B0798LDGTS>.\*

\* cited by examiner

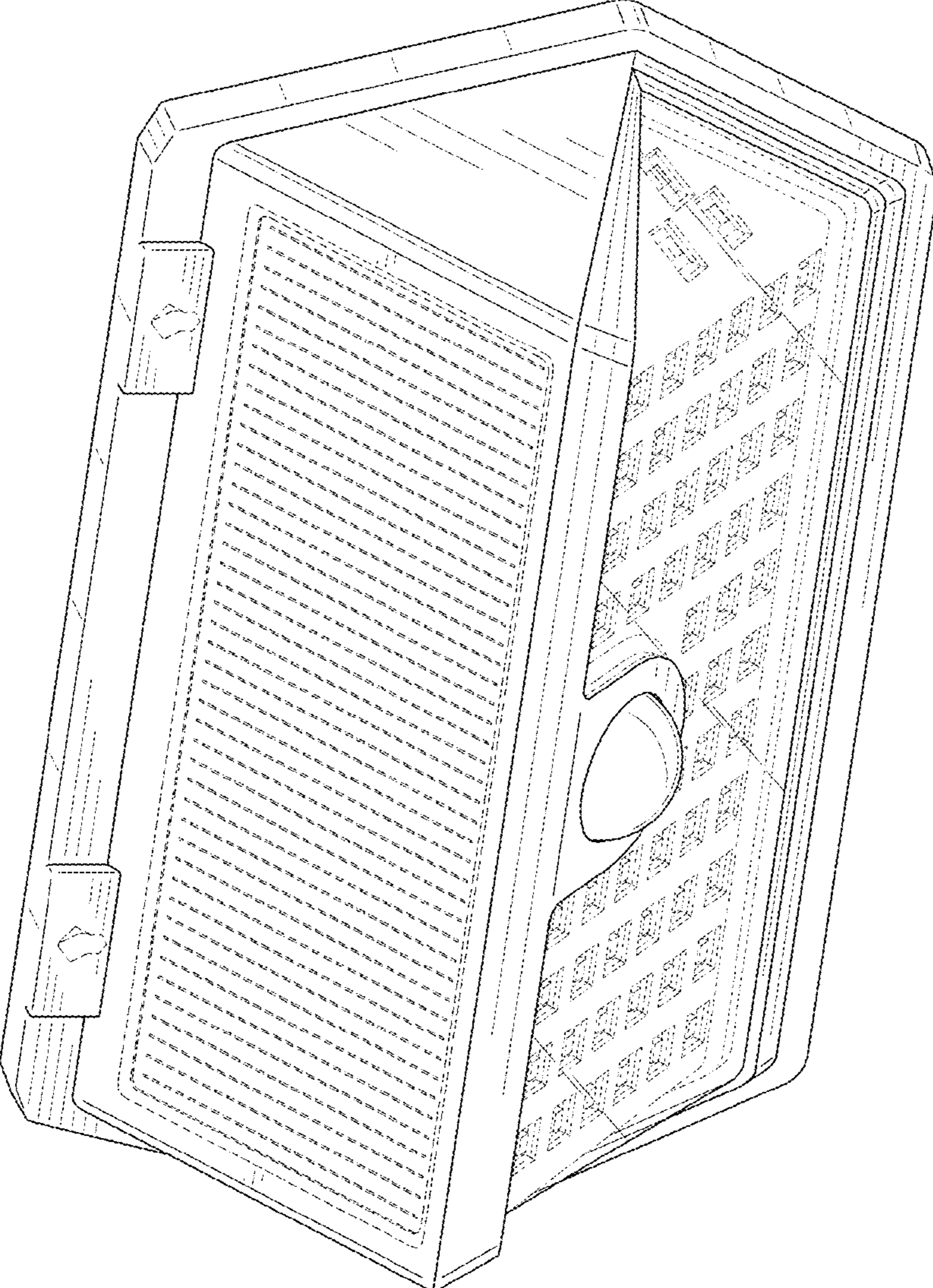


FIG. 1

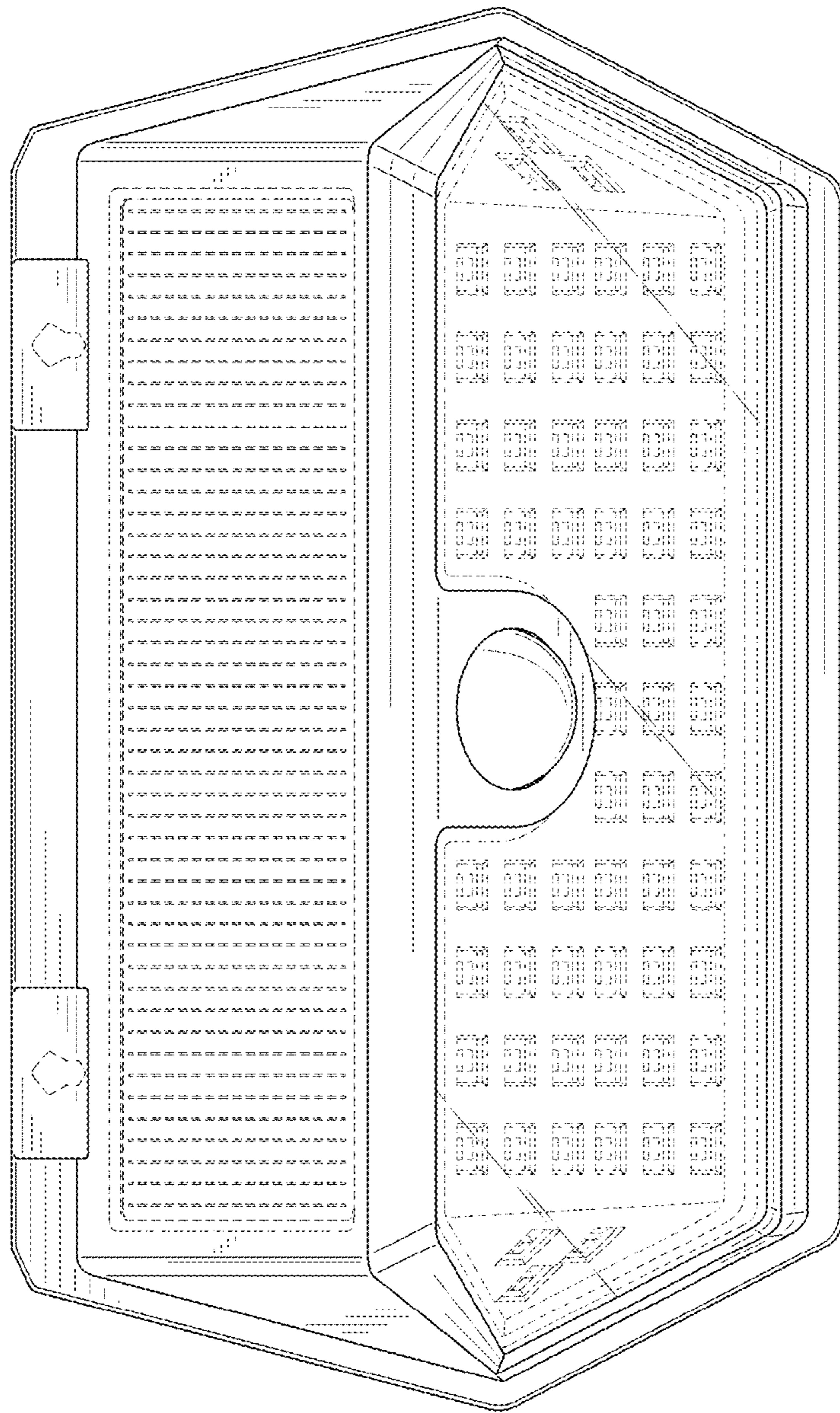


FIG. 2

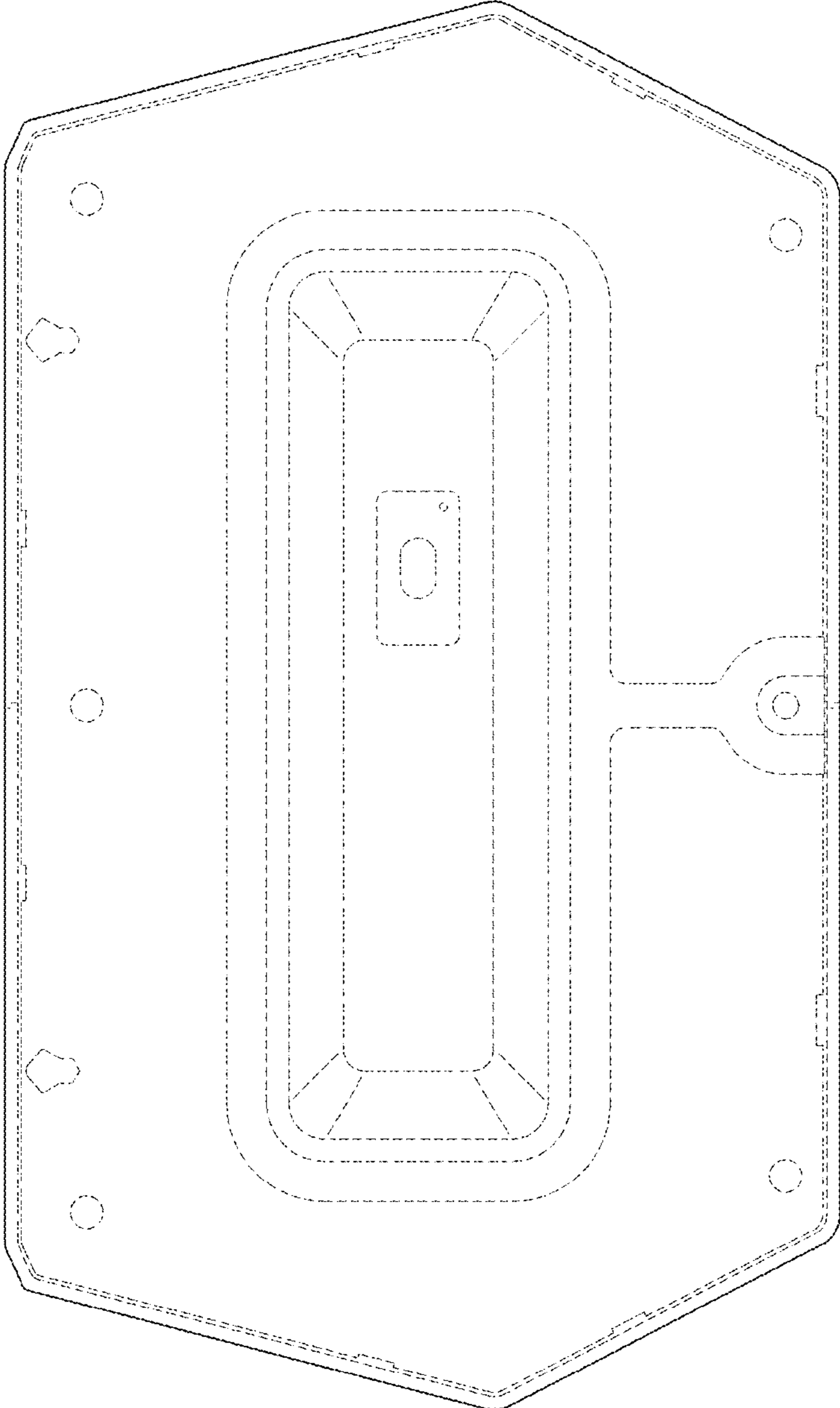


FIG. 3

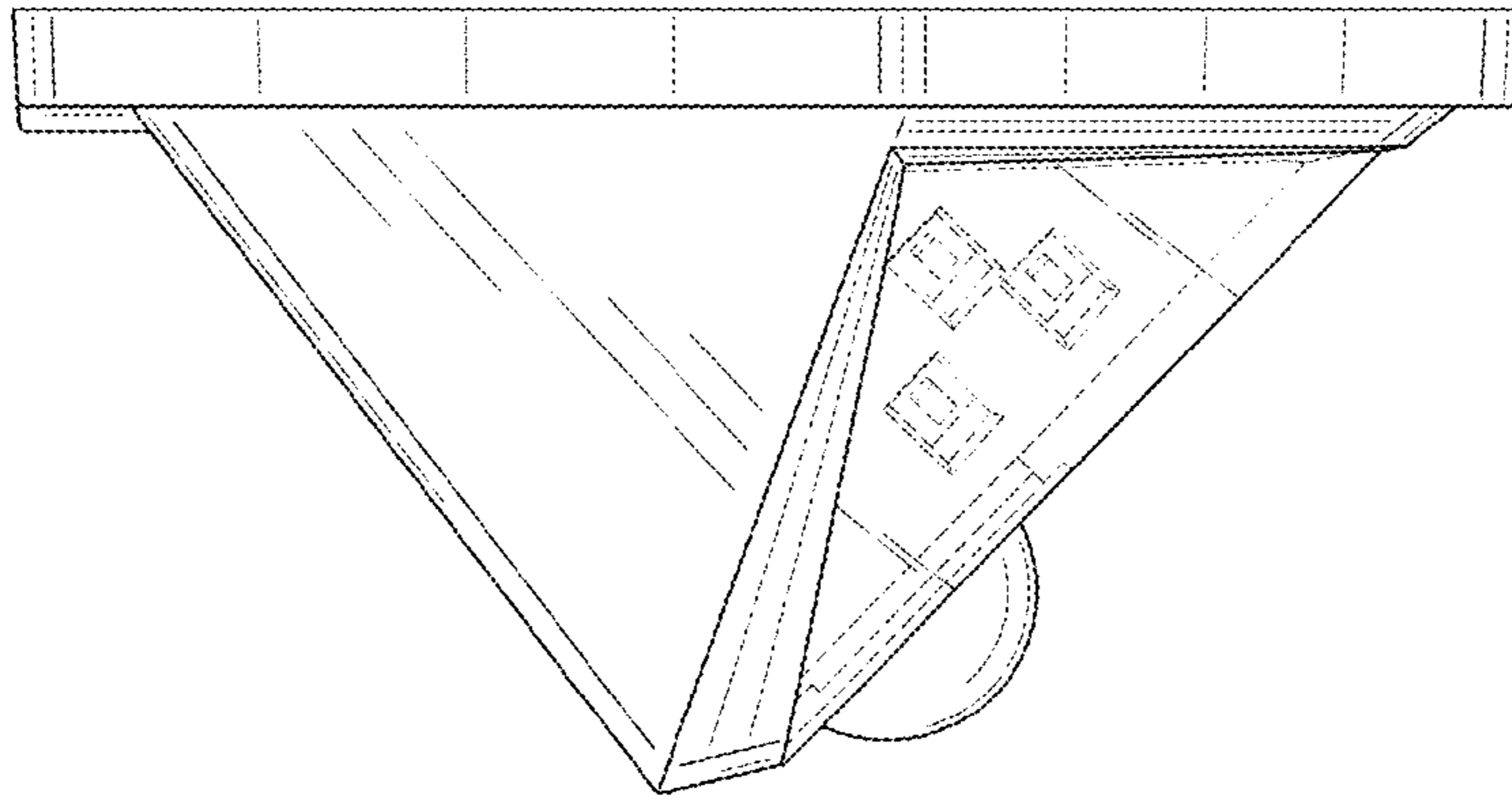


FIG. 5

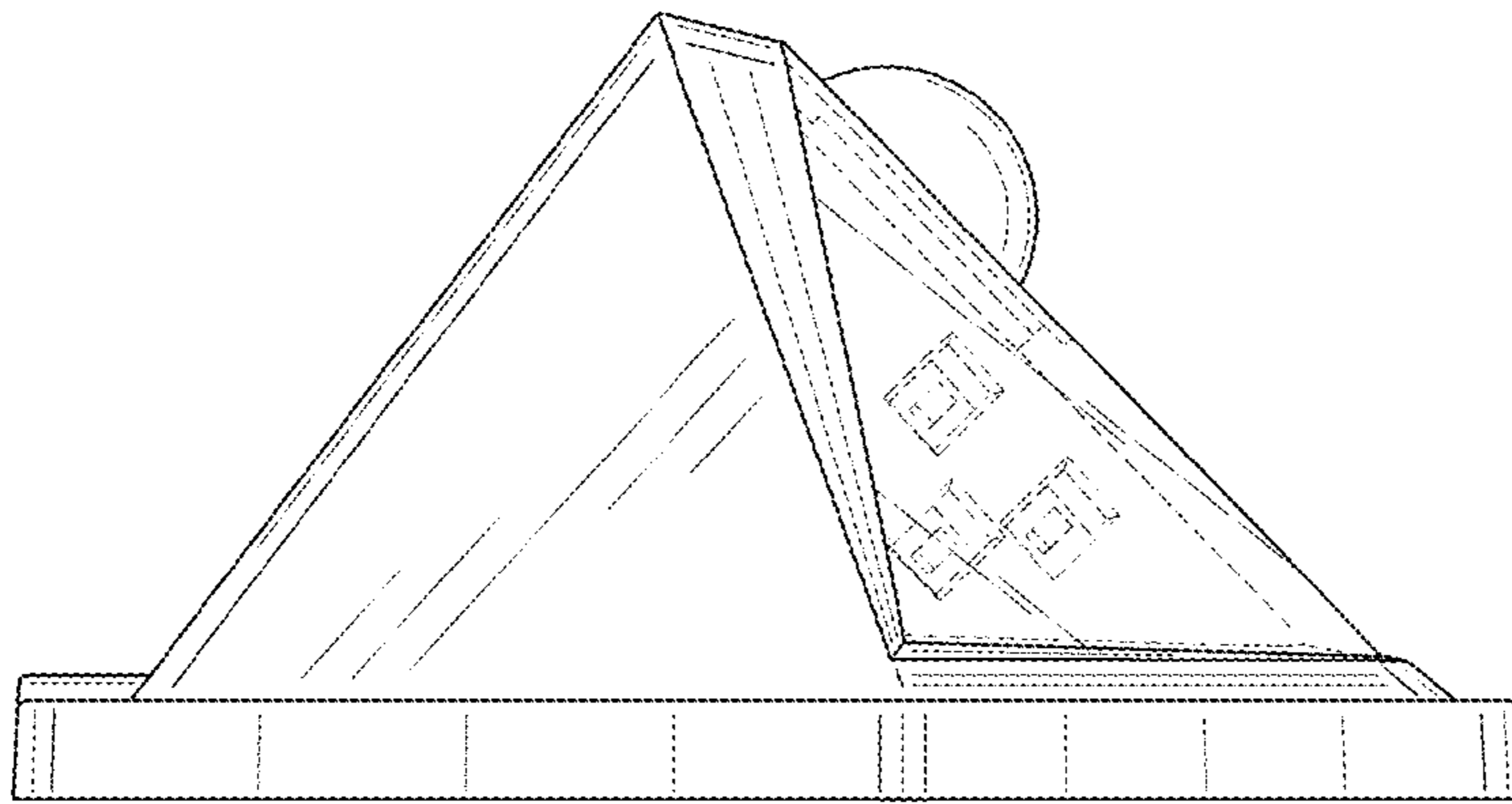


FIG. 4

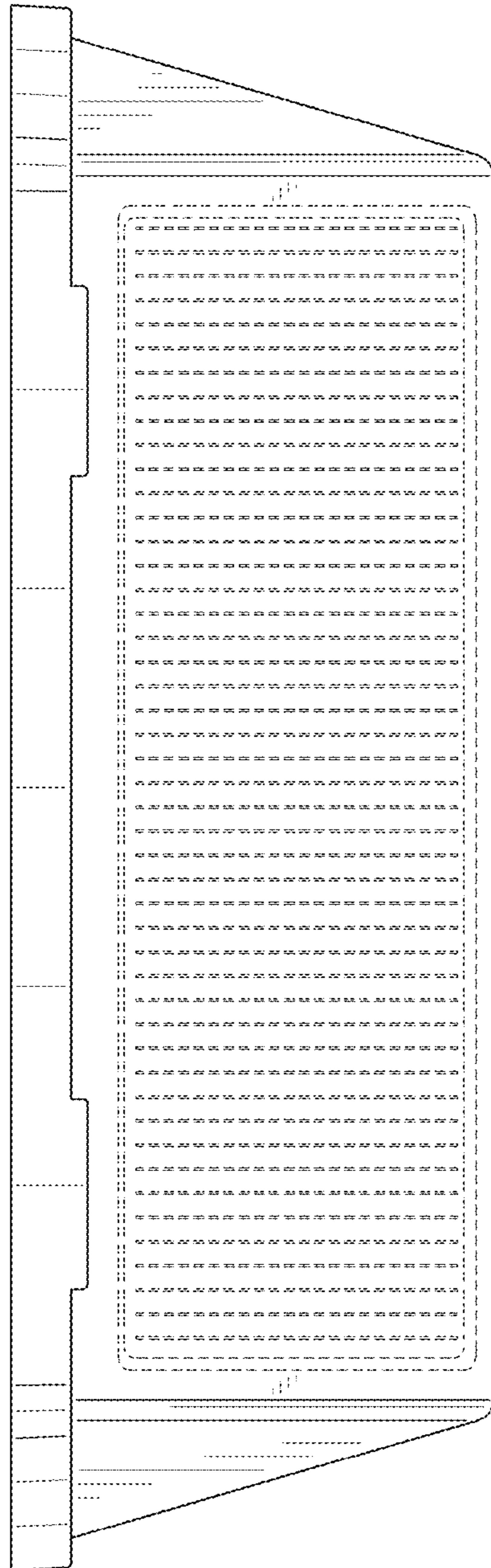


FIG. 6

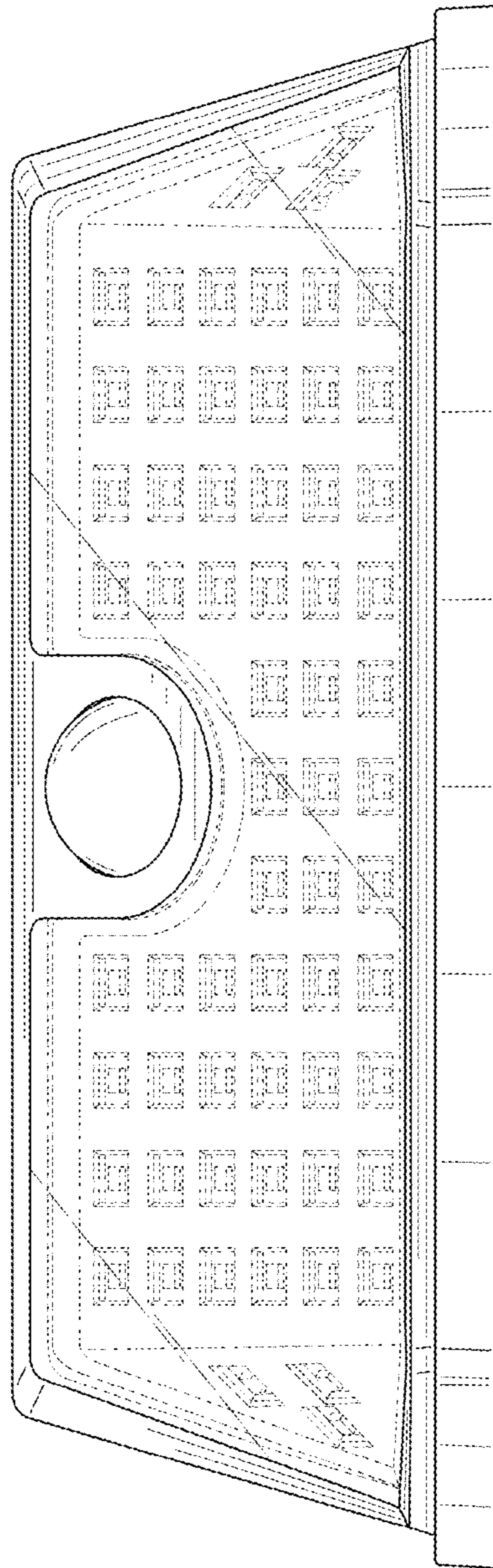


FIG. 7