



US00D866041S

(12) **United States Design Patent**  
**Chen**

(10) **Patent No.:** **US D866,041 S**

(45) **Date of Patent:** **\*\* Nov. 5, 2019**

(54) **CHANDELIER**

(71) Applicant: **Chia-Teh Chen**, Taipei (TW)

(72) Inventor: **Chia-Teh Chen**, Taipei (TW)

(\*\*) Term: **15 Years**

(21) Appl. No.: **29/659,231**

(22) Filed: **Aug. 7, 2018**

(51) **LOC (12) Cl.** ..... **26-03**

(52) **U.S. Cl.**  
USPC ..... **D26/81**

(58) **Field of Classification Search**  
USPC ..... D26/80-86, 88, 90, 91, 143, 144  
CPC ..... F21S 8/03; F21S 8/04; F21S 8/043; F21S  
8/046; F21S 8/06; F21S 8/061; F21S  
8/063; F21S 8/065

See application file for complete search history.

(56) **References Cited**

**U.S. PATENT DOCUMENTS**

D430,689 S	*	9/2000	Chiang	.....	D26/80
D498,870 S	*	11/2004	Parres	.....	D26/81
D499,507 S	*	12/2004	Parres	.....	D26/143
D545,999 S	*	7/2007	Ke	.....	D26/144
D553,782 S	*	10/2007	Nicholas	.....	D26/144
D605,347 S	*	12/2009	Miranda	.....	D26/144
D705,977 S	*	5/2014	Orozco	.....	D26/81
D809,178 S	*	1/2018	Orozco	.....	D26/81
D809,179 S	*	1/2018	Orozco	.....	D26/81

**OTHER PUBLICATIONS**

Swinford 5-Light Wagon Wheel Chandelier at allmodern.com as early as Feb. 2, 2016. (Year: 2016).\*  
Janette 5-Light Wagon Wheel Chandelier from jossandmain.com visited Aug. 12, 2019. (Year: 2019).\*  
Laurel Foundry Modern Farmhouse Janette 5-Light Wagon Wheel Chandelier at wayfair.com as early as Oct. 22, 2016. (Year: 2016).\*  
Laurel Foundry Modern Farmhouse Zaria 5-Light Wagon Wheel Chandelier at wayfair.com as early as Oct. 15, 2017. (Year: 2017).\*

\* cited by examiner

*Primary Examiner* — Clare E Heflin

(74) *Attorney, Agent, or Firm* — Li & Cai Intellectual Property (USA) Office

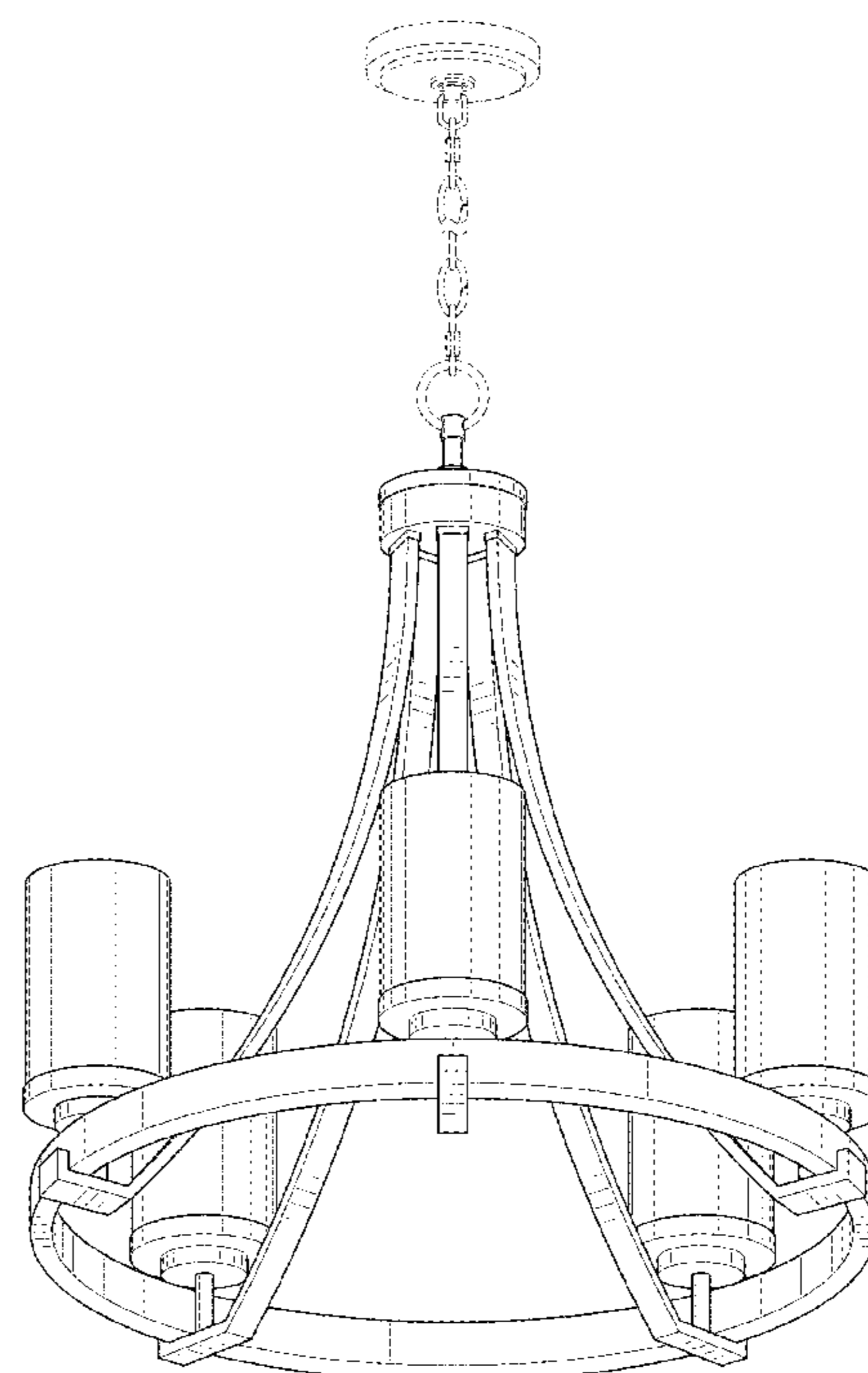
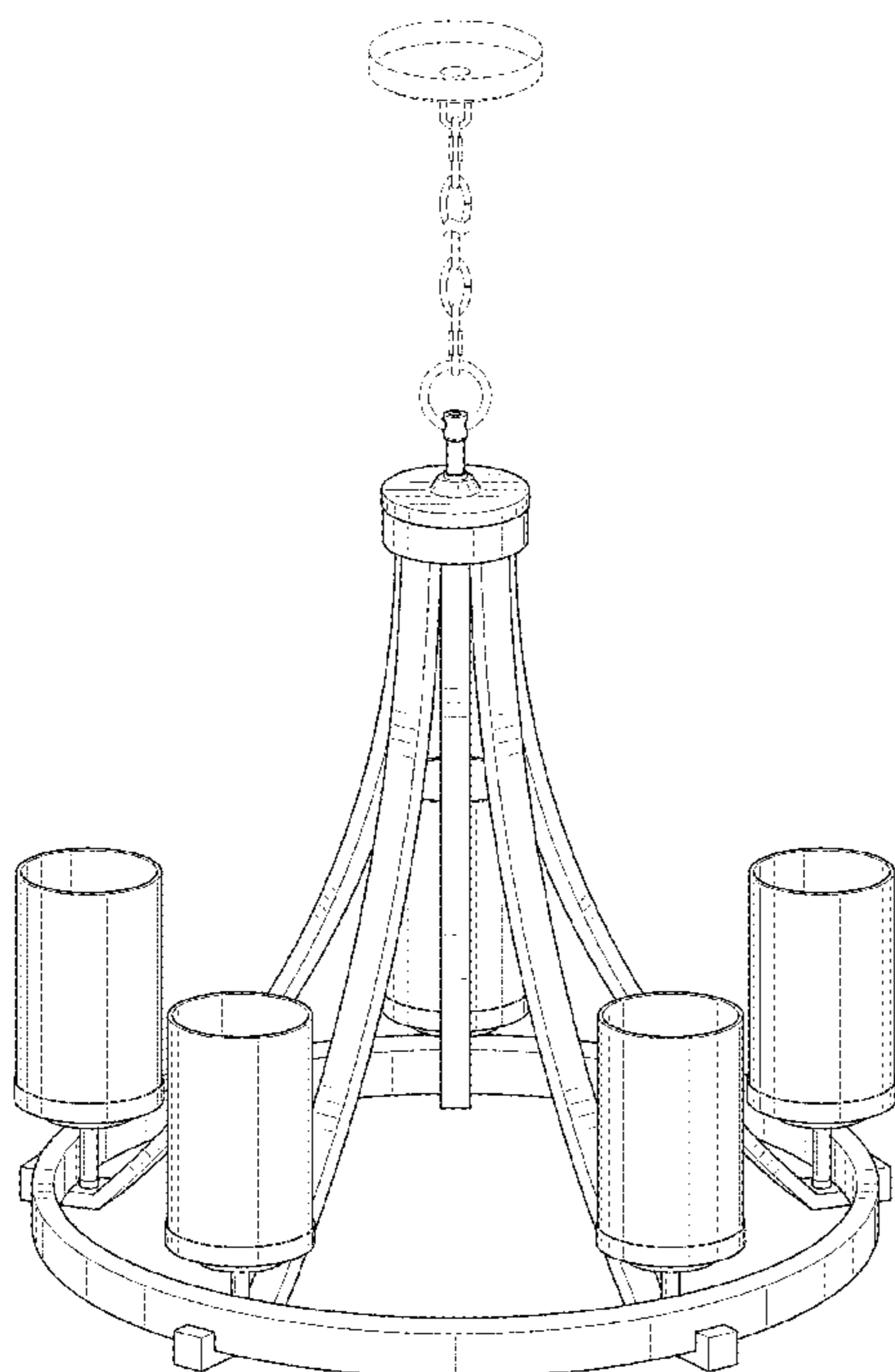
(57) **CLAIM**

The ornamental design for a chandelier, as shown and described.

**DESCRIPTION**

FIG. 1 is a front and perspective view of a chandelier showing my new design;  
FIG. 2 is a front view thereof;  
FIG. 3 is a rear view thereof;  
FIG. 4 is a left side view thereof;  
FIG. 5 is a right side view thereof;  
FIG. 6 is a top view thereof;  
FIG. 7 is a bottom view thereof; and,  
FIG. 8 is a rear and perspective view thereof.  
The broken lines depict portions of the chandelier in which the design is embodied that form no part of the claimed design.

**1 Claim, 8 Drawing Sheets**



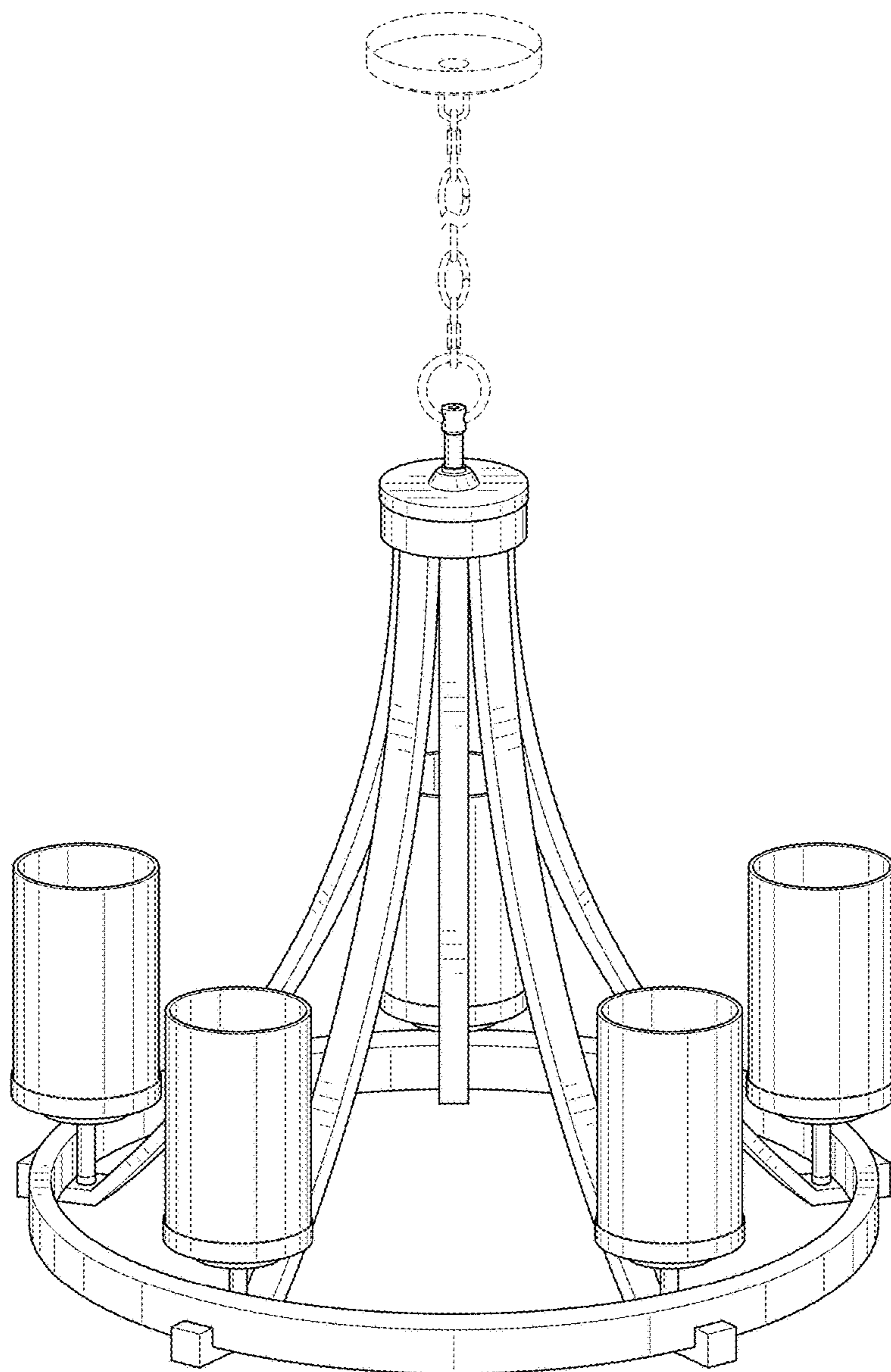


FIG. 1

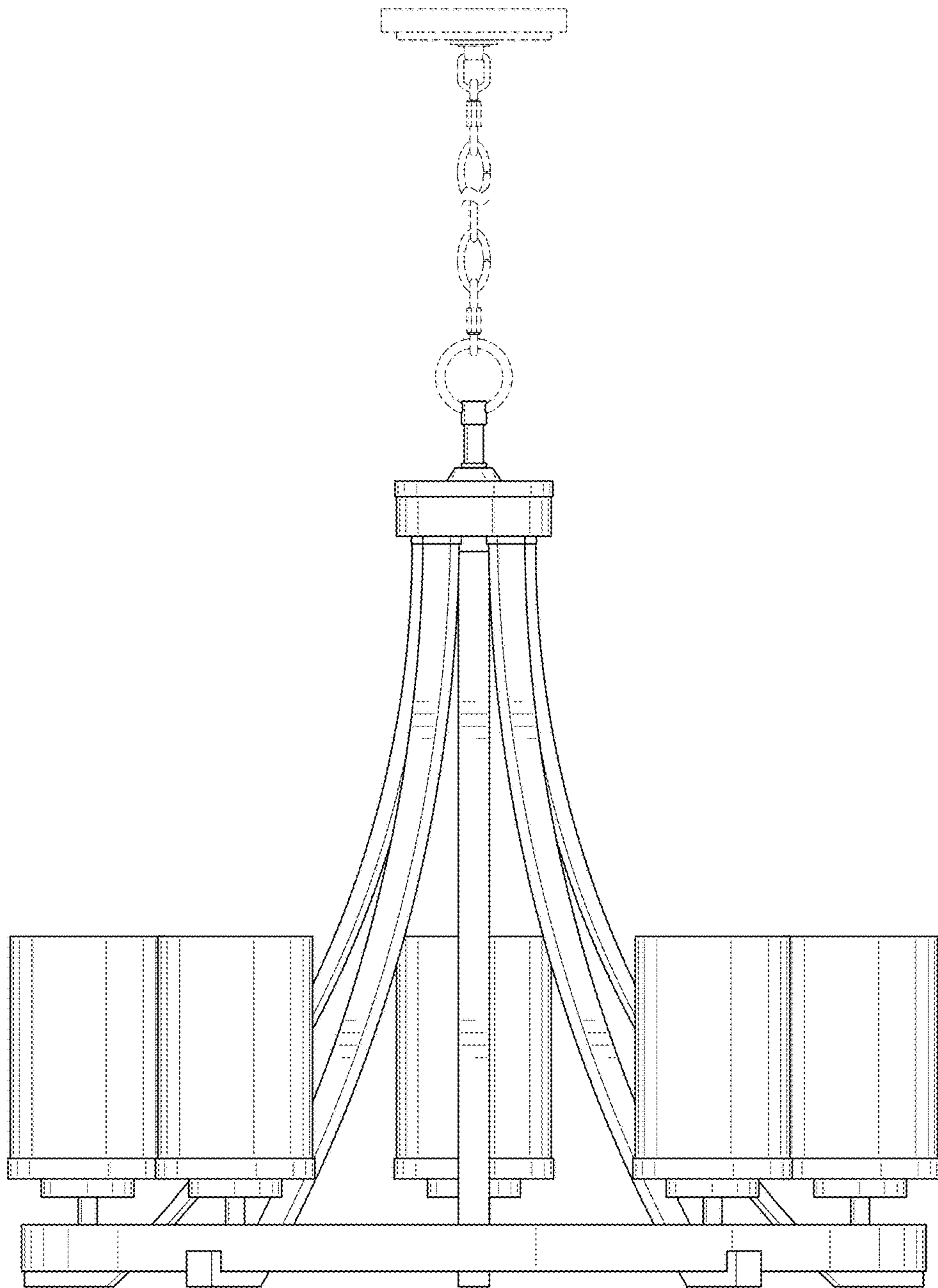


FIG. 2

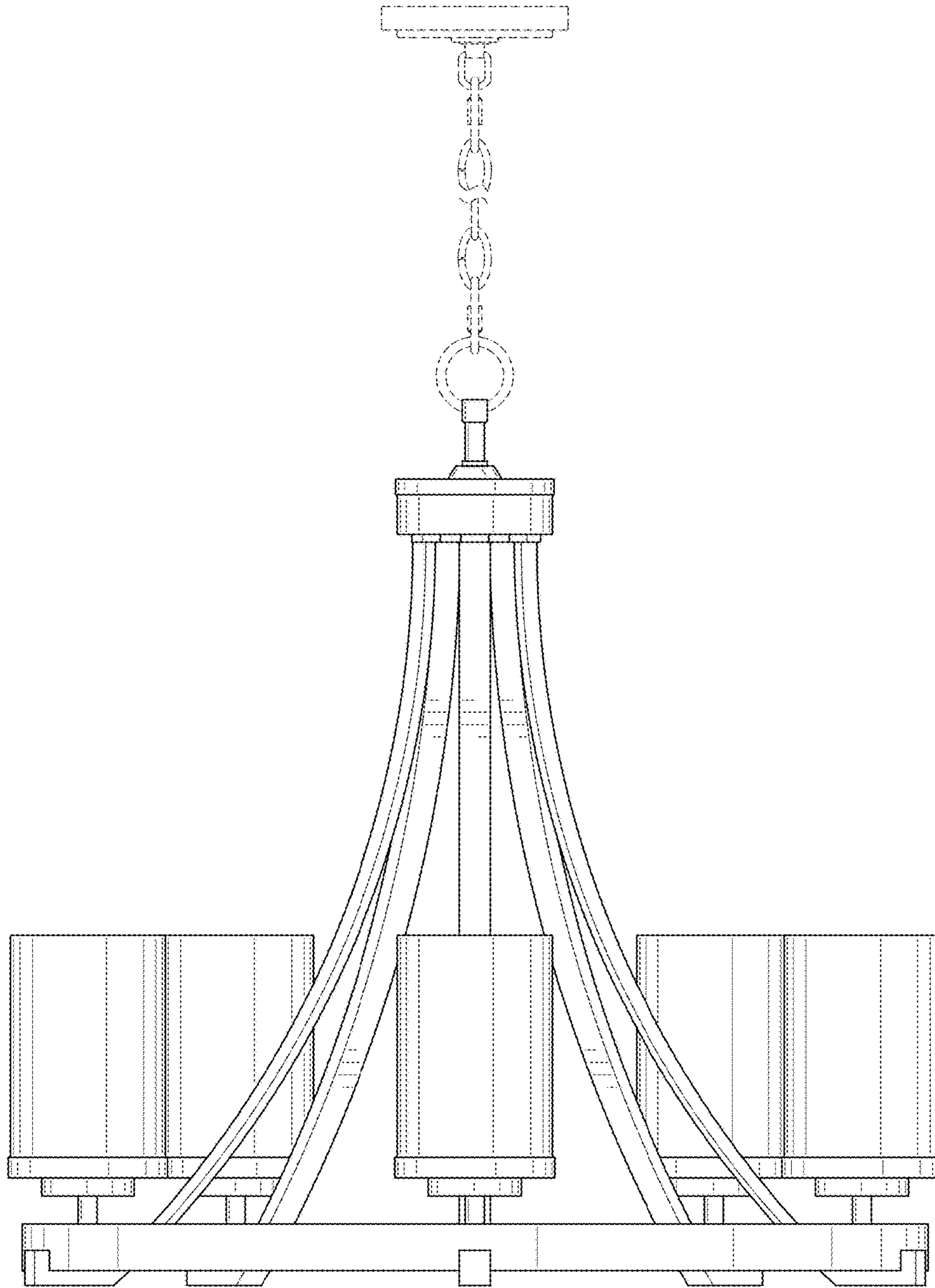


FIG. 3

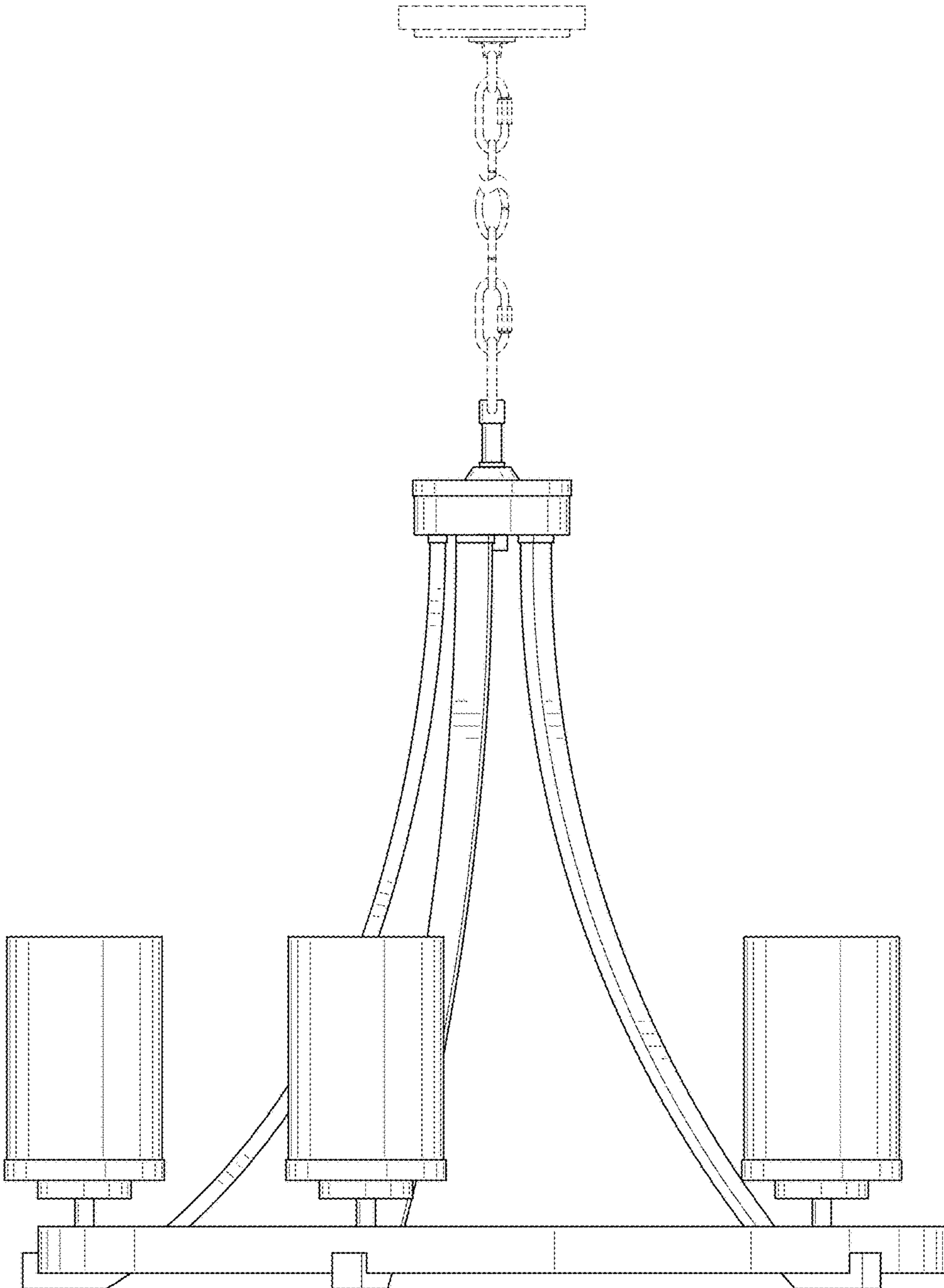


FIG. 4

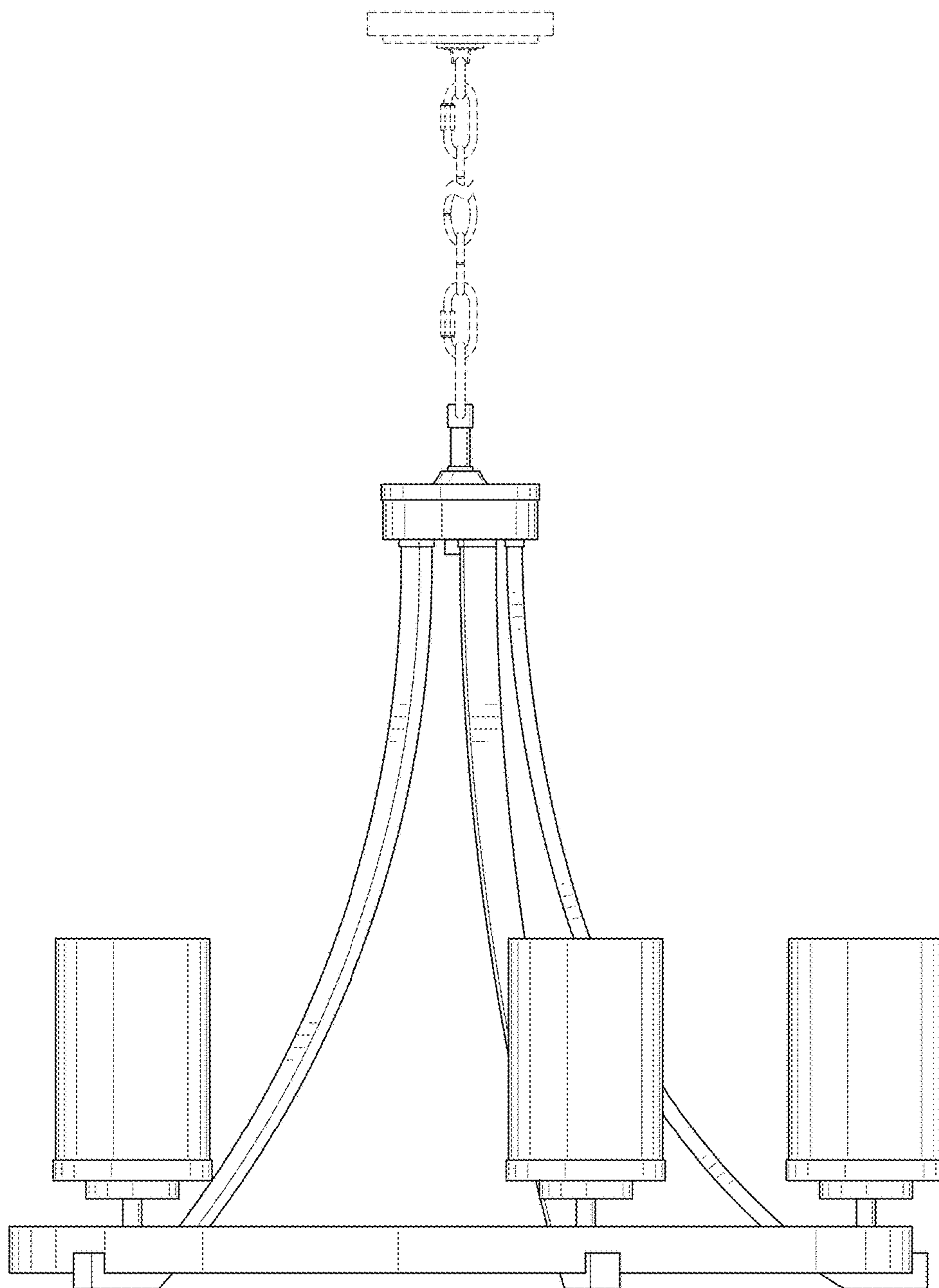


FIG. 5

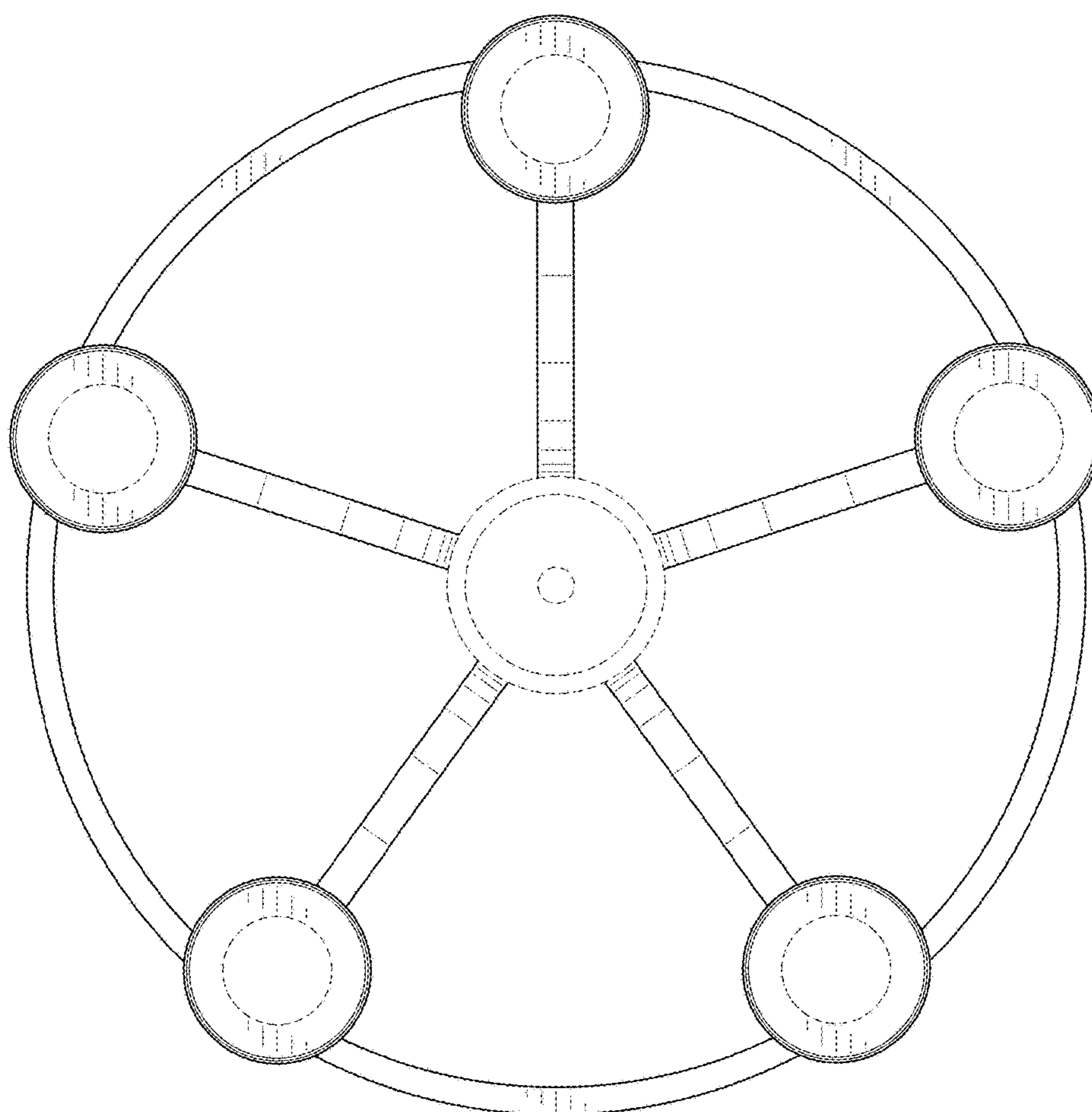


FIG. 6

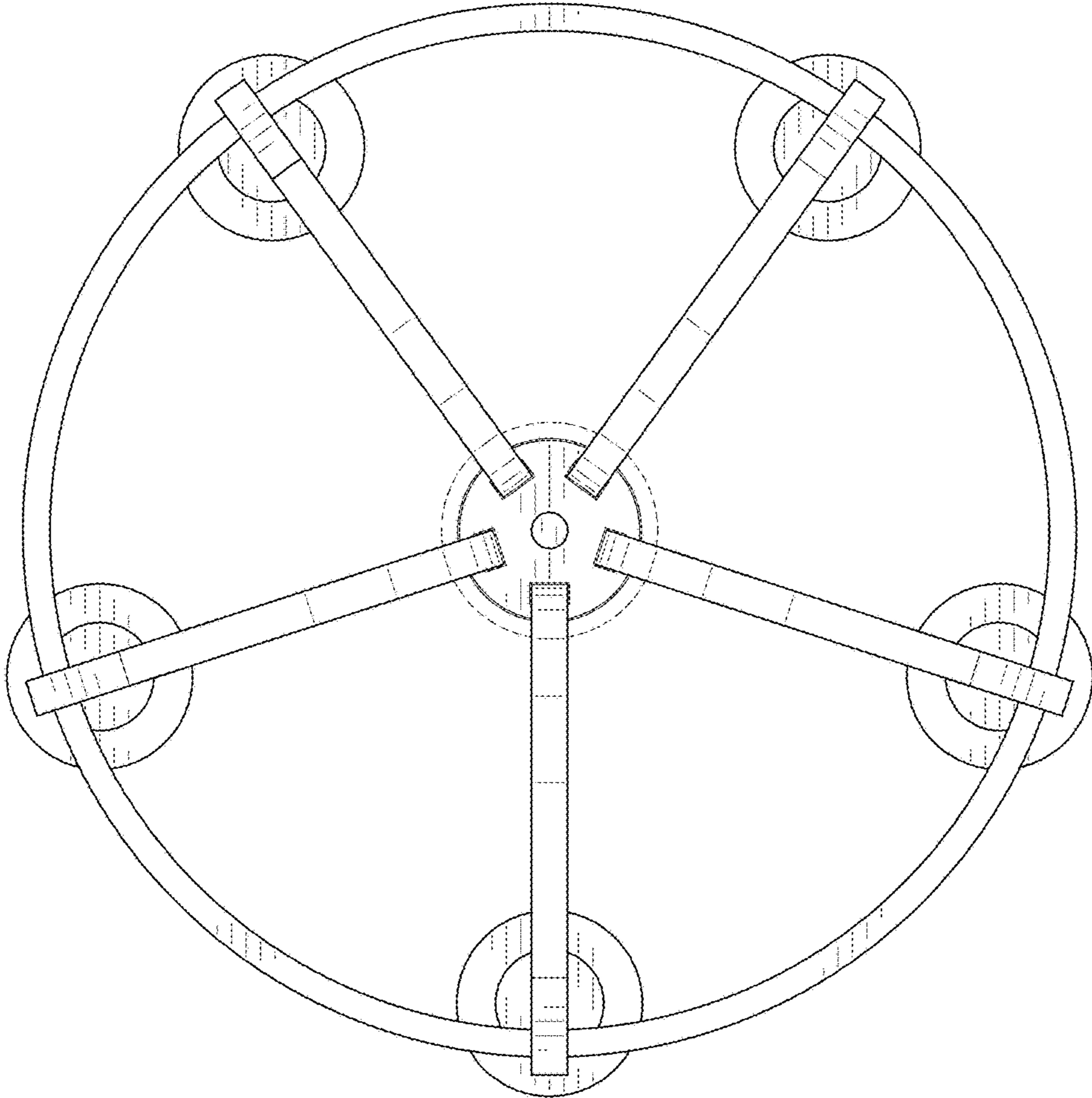


FIG. 7



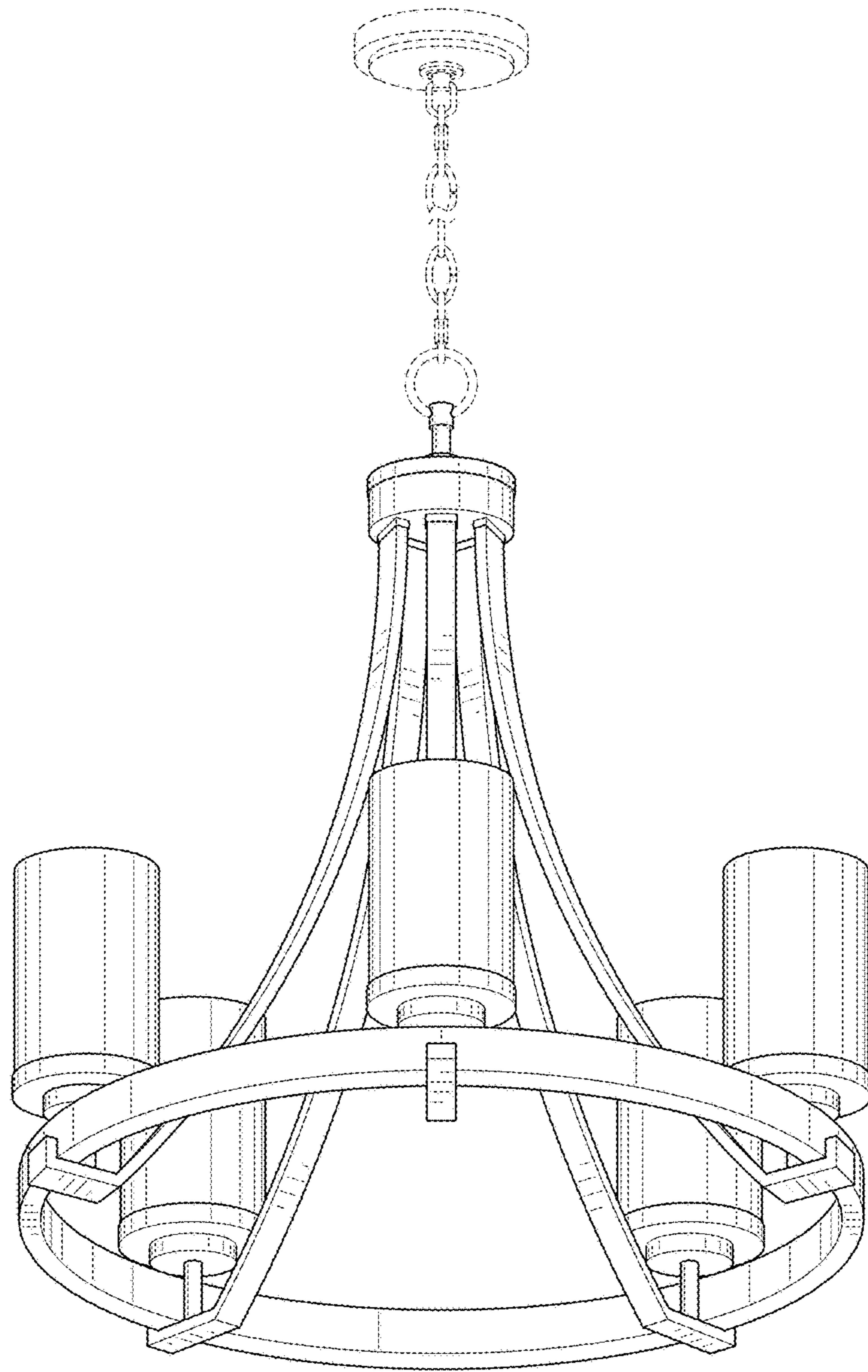


FIG. 8