

US00D866040S

(12) **United States Design Patent** (10) **Patent No.:** **US D866,040 S**  
**Wu** (45) **Date of Patent:** **\*\* Nov. 5, 2019**

(54) **LED DOWNLIGHT**  
(71) Applicant: **Vertex Lighting And Electrical Co., Ltd.**, Foshan (CN)  
(72) Inventor: **Liangju Wu**, Foshan (CN)  
(73) Assignee: **Vertex Lighting And Electrical Co., Ltd.** (CN)

D808,058 S \* 1/2018 Johnson ..... D26/74  
D827,903 S \* 9/2018 Wu ..... D26/74  
D828,944 S \* 9/2018 Xie ..... D26/74  
10,066,797 B1 \* 9/2018 Tan ..... F21S 8/02  
10,101,015 B2 \* 10/2018 Benghozi ..... F21S 8/026  
D835,828 S \* 12/2018 McGrayne ..... D26/74  
D836,234 S \* 12/2018 Yang ..... D26/63  
2014/0268767 A1 \* 9/2014 Hatch ..... F21V 15/01  
362/249.02

(Continued)

(\*\*) Term: **15 Years**  
(21) Appl. No.: **29/609,984**

(22) Filed: **Jul. 7, 2017**

(30) **Foreign Application Priority Data**

Feb. 21, 2017 (CN) ..... 2017 3 0045482

(51) **LOC (12) Cl.** ..... **26-05**

(52) **U.S. Cl.**  
USPC ..... **D26/74**

(58) **Field of Classification Search**  
USPC ..... D26/24, 63, 67, 72, 74, 118  
CPC .. F21S 8/026; F21S 8/02; F21V 15/01; F21V 21/047; F21Y 2115/10; Y10S 362/80  
See application file for complete search history.

(56) **References Cited**

**U.S. PATENT DOCUMENTS**

D544,979 S \* 6/2007 Hartmann, Jr. .... D26/74  
D723,728 S \* 3/2015 Jeswani ..... D26/74  
D726,949 S \* 4/2015 Redfern ..... D26/74  
D767,809 S \* 9/2016 Gotz-Schafer ..... D26/74  
D772,466 S \* 11/2016 Zhang ..... D26/74  
D779,100 S \* 2/2017 Redfern ..... D26/74  
D779,700 S \* 2/2017 Lee ..... D26/74  
D786,472 S \* 5/2017 Redfern ..... D26/74  
D797,975 S \* 9/2017 Lentine ..... D26/63  
D804,083 S \* 11/2017 Lentine ..... D26/118  
D806,299 S \* 12/2017 Gebhard ..... D26/63

**OTHER PUBLICATIONS**

“3 inch Dimmable LED Downlight.” Found online Feb. 5, 2019 at www.amazon.com. Page dated Mar. 21, 2018. Retrieved from URL: https://www.amazon.com/Dimmable-Downlight-Daylight-Retrofit-Recessed/dp/B07BMLY626 (Year: 2018).\*

(Continued)

*Primary Examiner* — Garth Rademaker  
*Assistant Examiner* — Katelin G Kloberg  
(74) *Attorney, Agent, or Firm* — Lerner, David, Littenberg, Krumholz & Mentlik, LLP

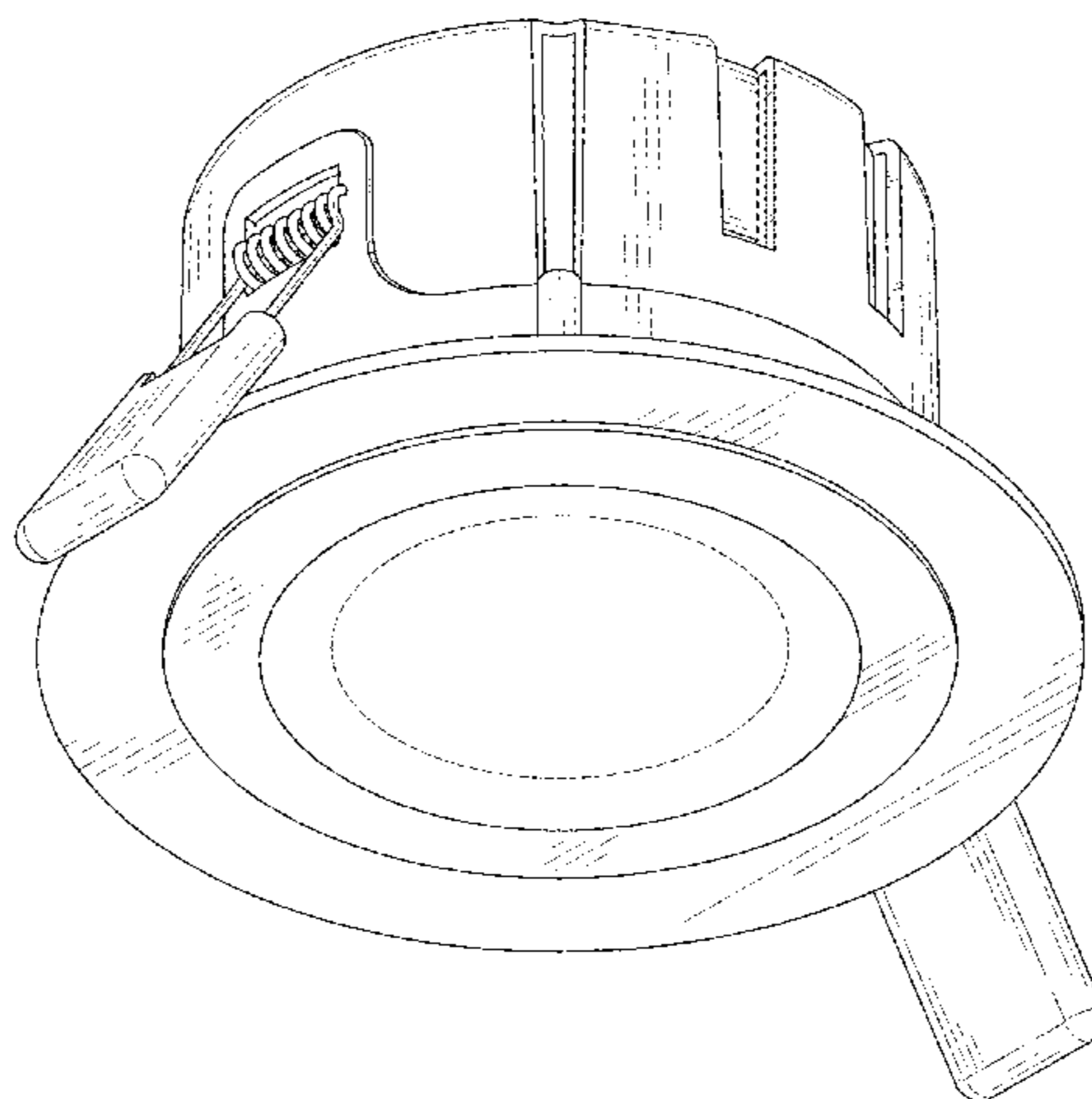
(57) **CLAIM**

The ornamental design for a LED downlight, as shown and described.

**DESCRIPTION**

FIG. 1 is a front perspective view of a LED downlight according to my design;  
FIG. 2 is a front elevational view thereof;  
FIG. 3 is a rear elevational view thereof;  
FIG. 4 is a left side elevational view thereof;  
FIG. 5 is a right side elevational view thereof;  
FIG. 6 is a top plan view thereof; and,  
FIG. 7 is a bottom plan view thereof.  
The broken lines shown in the drawings illustrate environmental structure and form no part of the claimed design.

**1 Claim, 7 Drawing Sheets**



(56)

**References Cited**

U.S. PATENT DOCUMENTS

2017/0198870 A1\* 7/2017 Wu ..... F21V 21/046

OTHER PUBLICATIONS

“5W LED Downlight Round Changing Angle White Body Warm White.” Found online Feb. 6, 2019 at [www.v-tac.eu](http://www.v-tac.eu). Page archived Sep. 10, 2017. Retrieved from URL: <https://tinyurl.com/y9327do7> (Year: 2017).\*

“Enlite E5 Fixed Fire Rated LED Downlight without Bezel.” Found online Feb. 6, 2019 at [www.screwfix.com](http://www.screwfix.com). Product reviewed Jan. 5, 2017. Retrieved from URL: <https://www.screwfix.com/p/enlite-e5-fixed-fire-rated-led-downlight-without-bezel-355lm-4-5w-220-240v/6131r> (Year: 2017).\*

“Maxlite Dimmable 4-inch 7W 3000K LED Downlight.” Found online Feb. 6, 2019 at [www.bulbs.com](http://www.bulbs.com). Page dated Nov. 27, 2018. Retrieved from URL: <https://www.bulbs.com/product/RF408ICAT30W> (Year: 2018).\*

\* cited by examiner

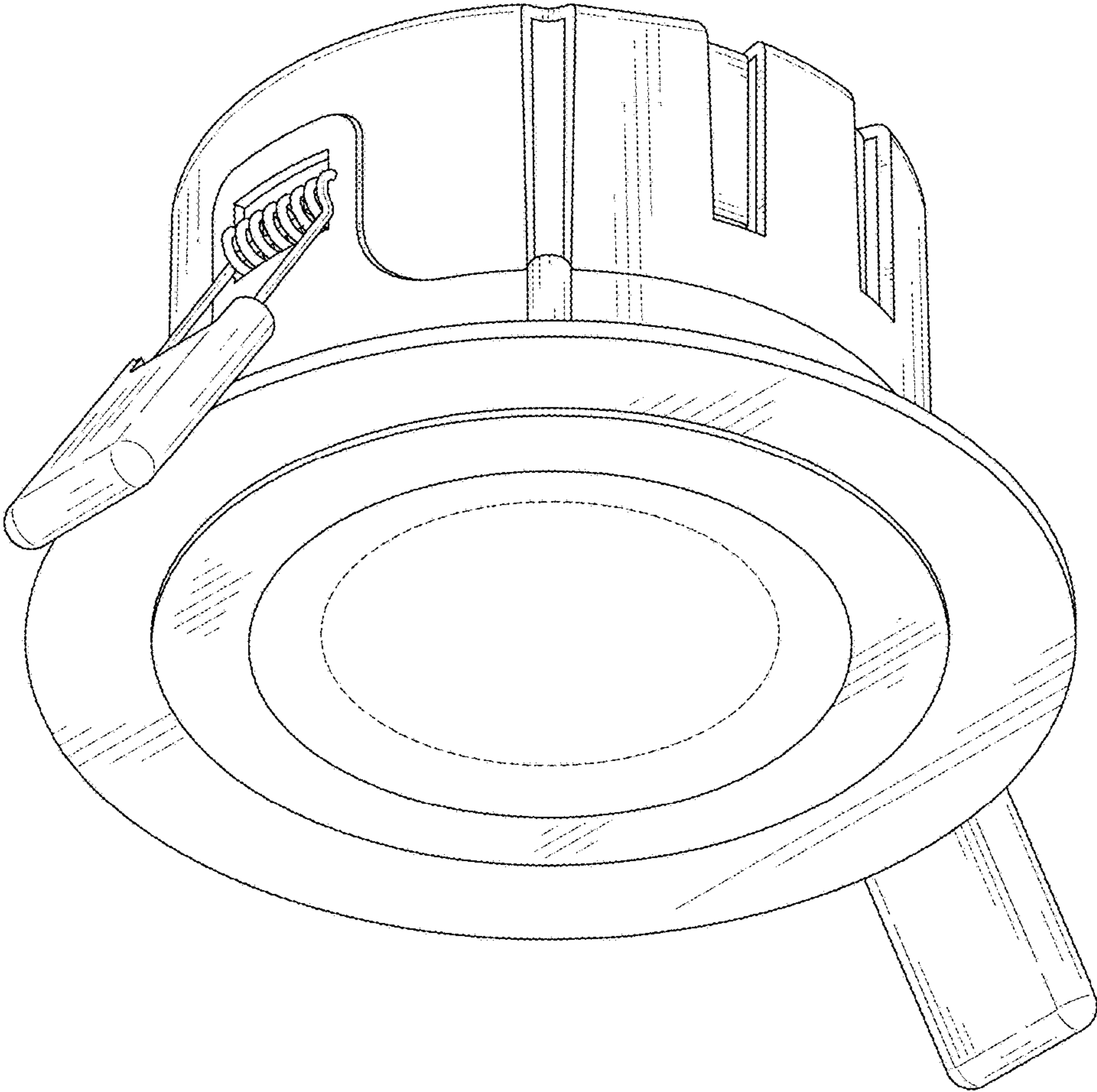


FIG. 1

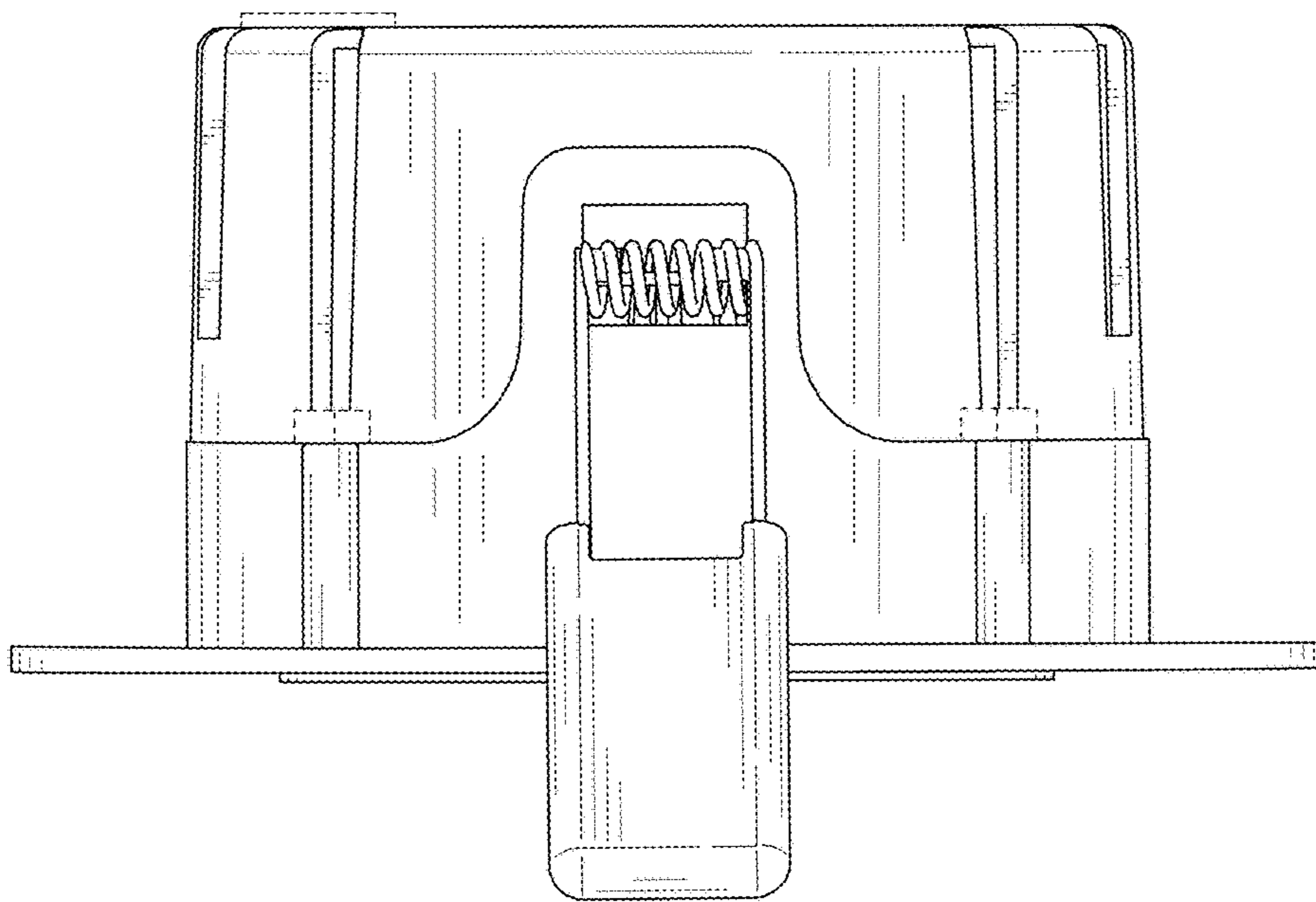


FIG. 2

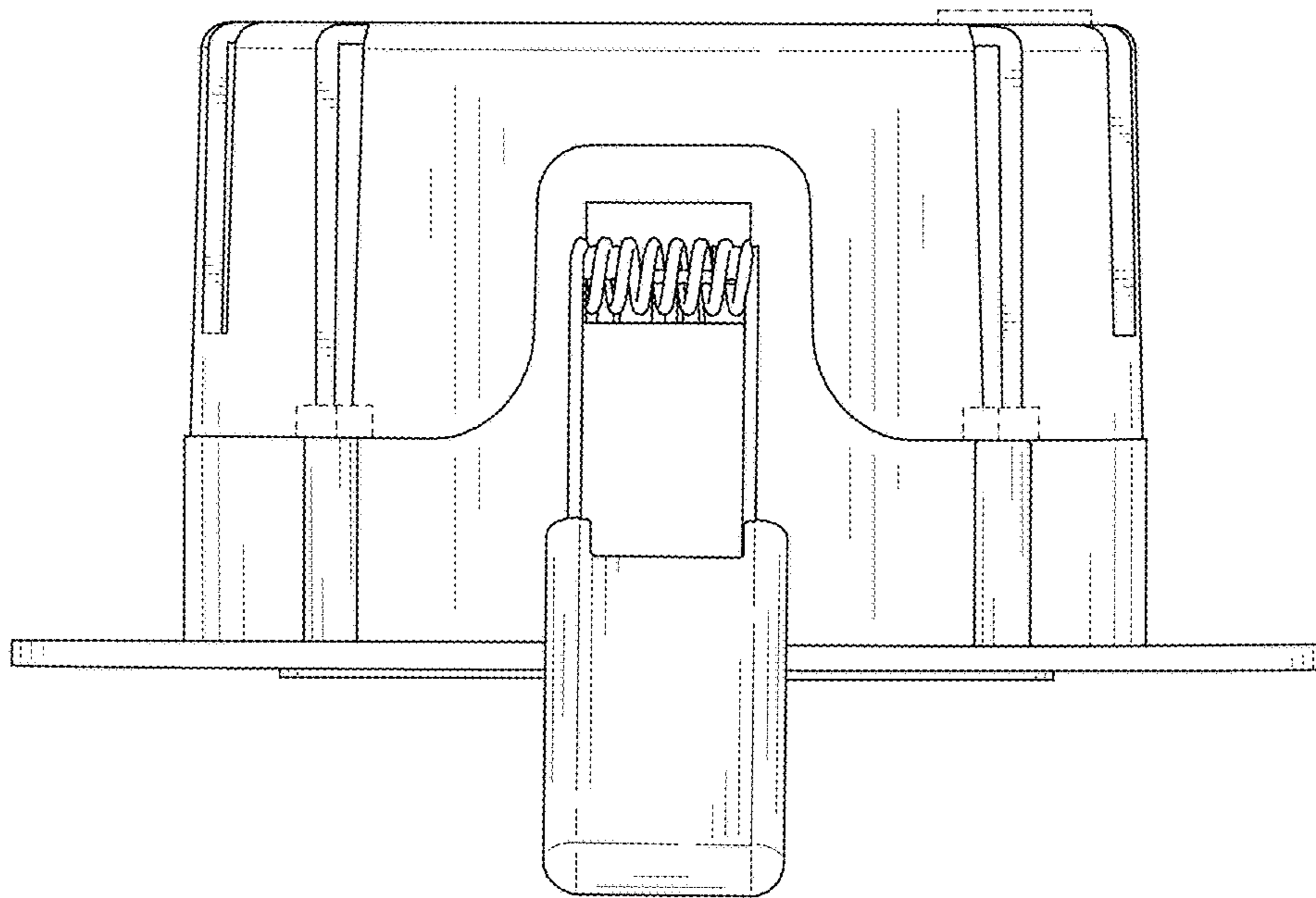


FIG. 3

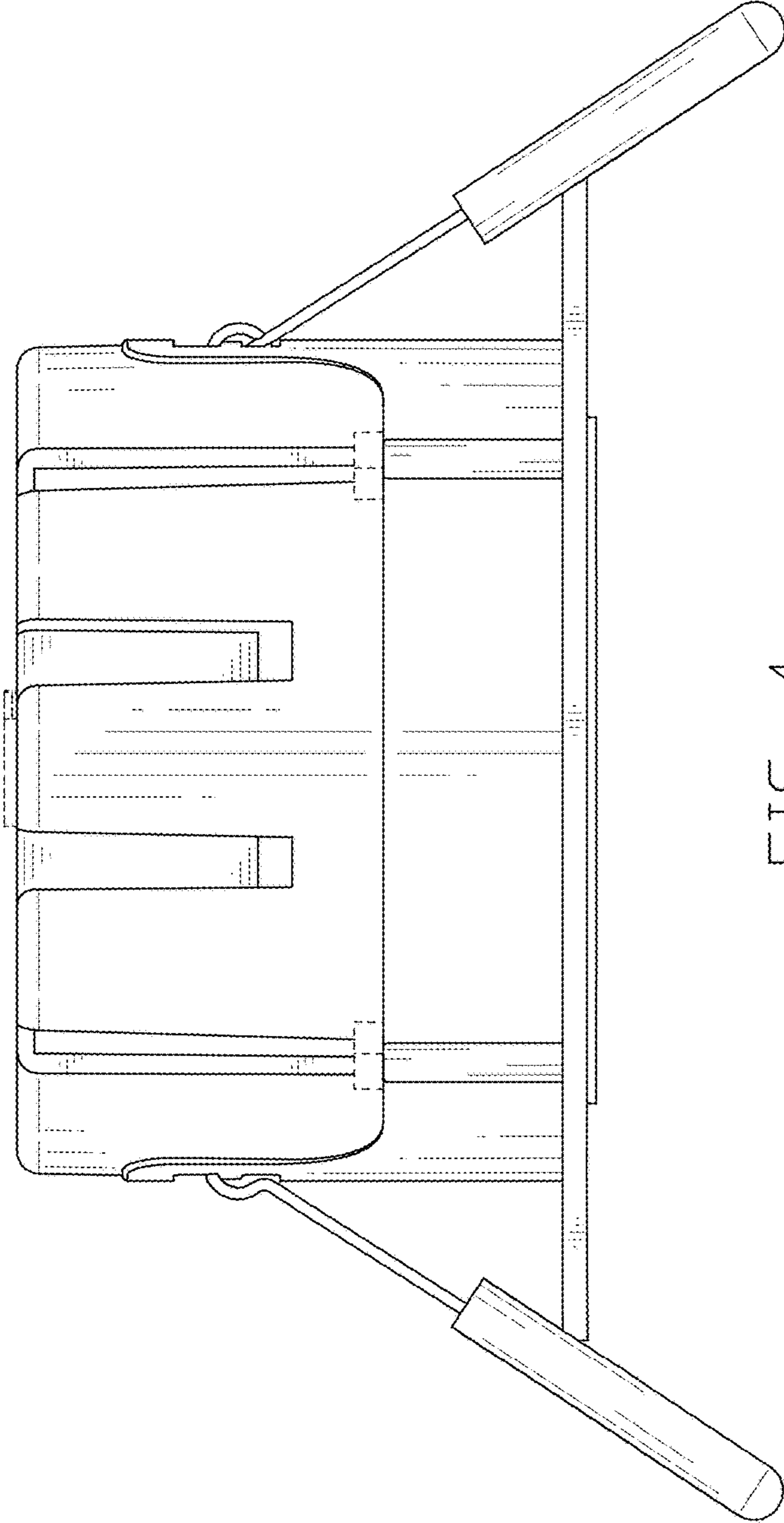


FIG. 4

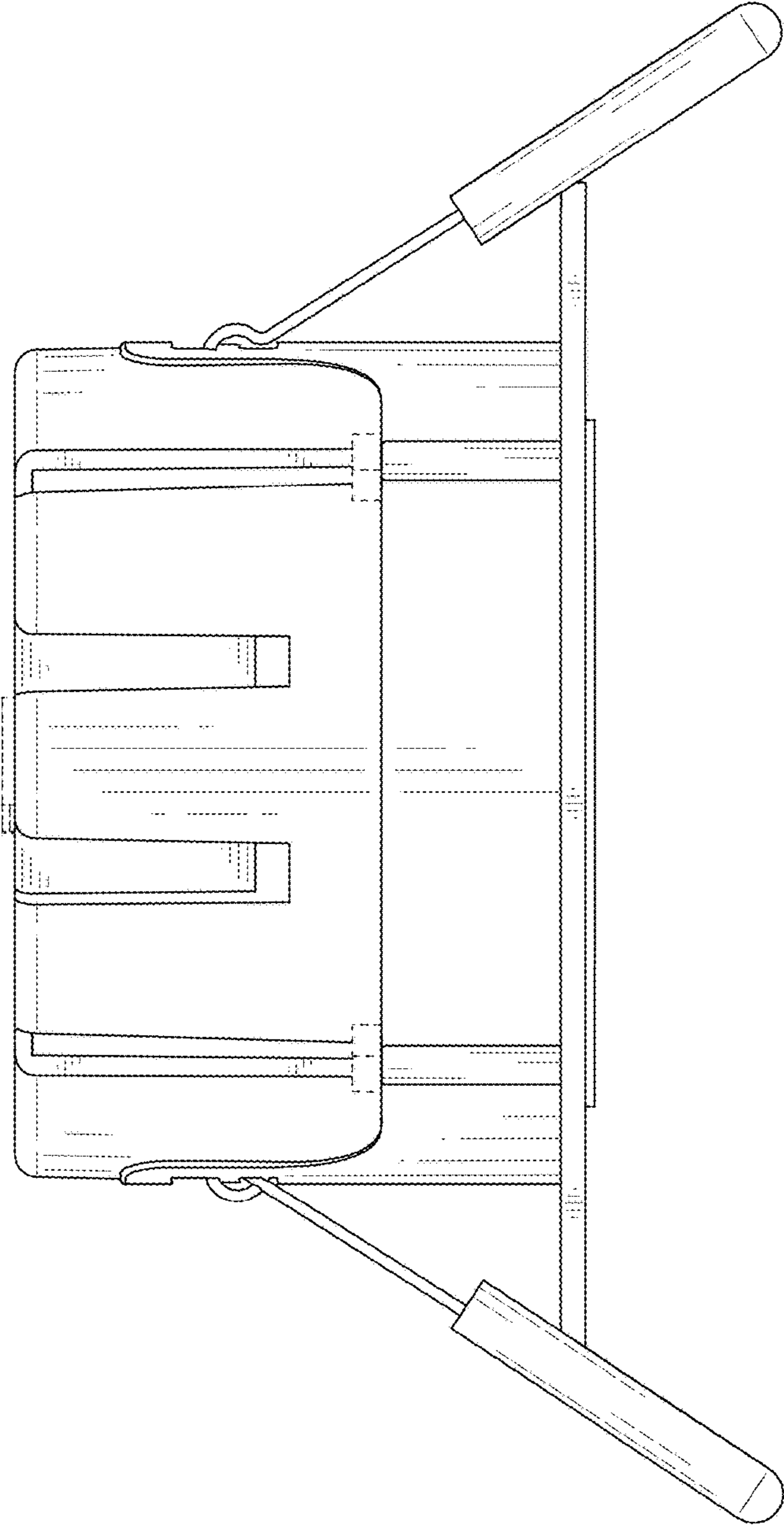


FIG. 5

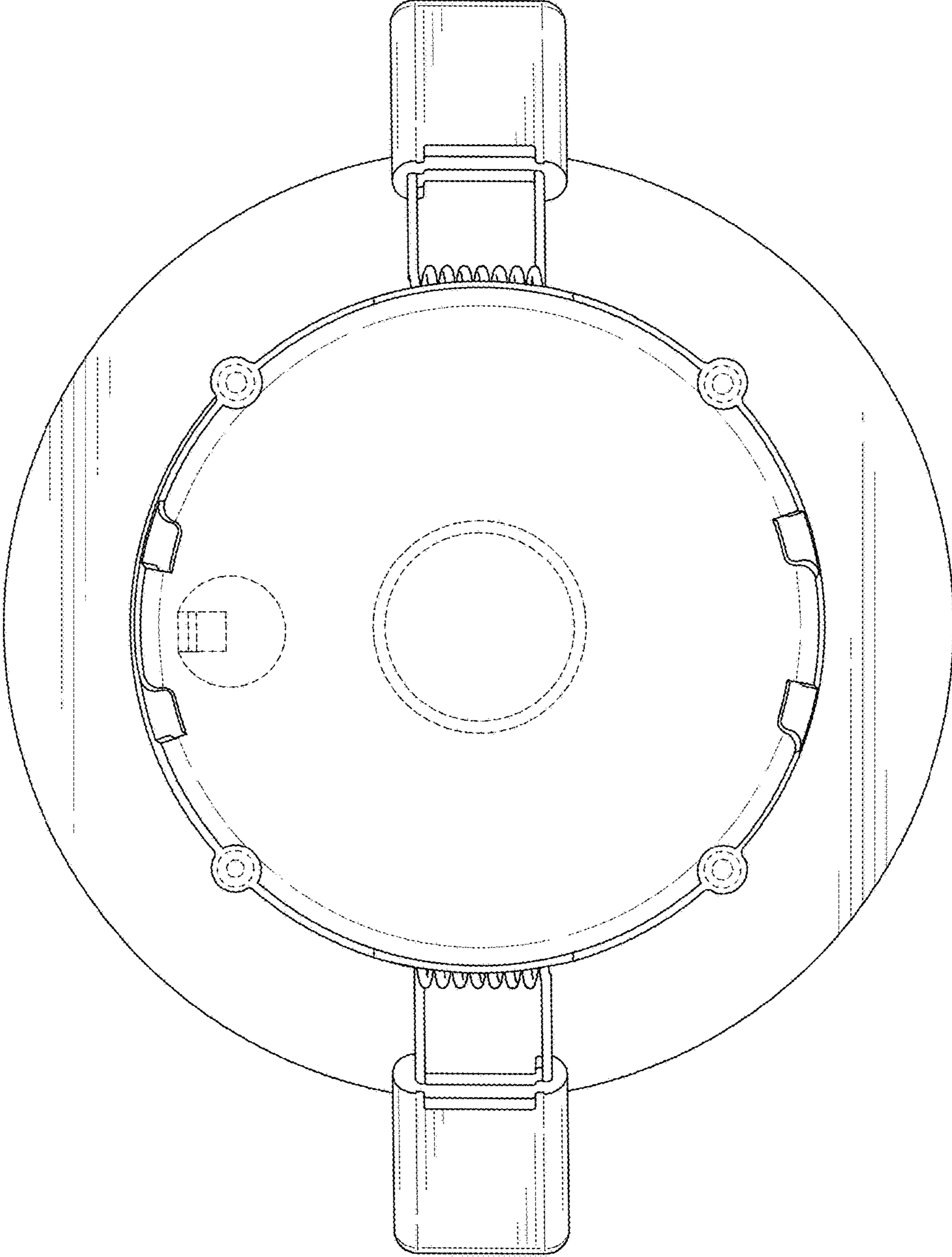


FIG. 6



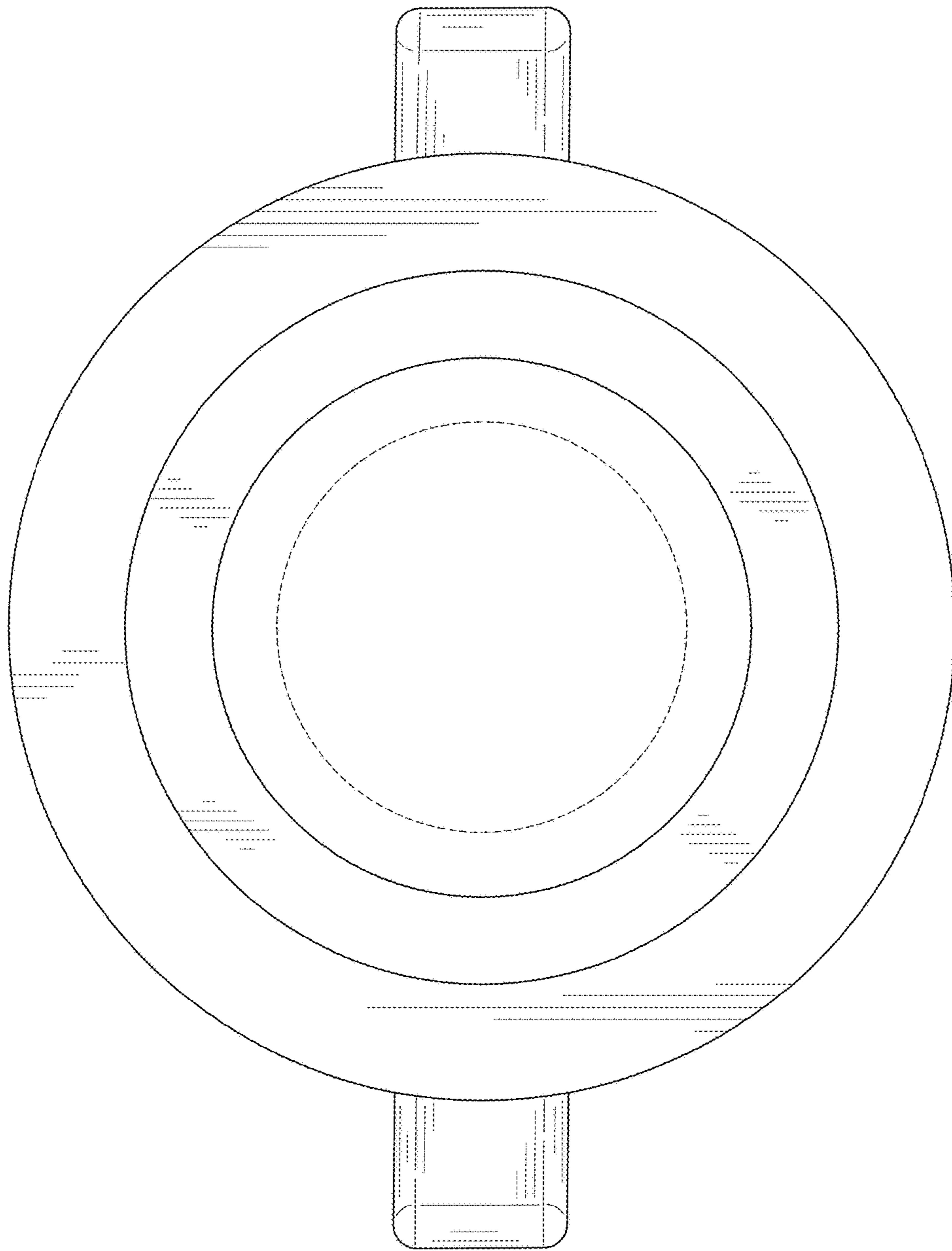


FIG. 7