



US00D866039S

(12) **United States Design Patent** (10) **Patent No.:** **US D866,039 S**  
**Graff et al.** (45) **Date of Patent:** **\*\* Nov. 5, 2019**

(54) **LED FIXTURE**

(71) Applicant: **Appleton Grp LLC**, Rosemont, IL (US)

(72) Inventors: **Timothy E. Graff**, Arlington Heights, IL (US); **James G. Brand**, Schaumburg, IL (US); **Saurabh Verma**, Buffalo Grove, IL (US); **Anoop R. Zutti**, Belgaum (IN)

(73) Assignee: **Appleton Grp LLC**, Rosemont, IL (US)

(\*\*) Term: **15 Years**

(21) Appl. No.: **29/642,104**

(22) Filed: **Mar. 27, 2018**

(51) **LOC (12) Cl.** ..... **26-03**

(52) **U.S. Cl.**  
USPC ..... **D26/72**

(58) **Field of Classification Search**  
USPC ..... D26/67-72, 80, 81, 85-88, 119  
CPC .... F21S 8/032; F21S 8/04; F21S 8/043; F21S 8/06; F21S 9/03; F21S 9/032; F21S 9/035; F21S 9/037; F21W 2131/10; F21W 2131/103; F21W 2131/107; F21W 2131/109; F21L 4/00; F21V 15/00; F21V 15/01; F21V 15/02; F21V 15/04; F21V 25/12; F21V 29/503

See application file for complete search history.

(56) **References Cited**

**U.S. PATENT DOCUMENTS**

D343,471 S *	1/1994	Belisle .....	D26/85
D418,620 S *	1/2000	Grossman .....	D26/71
D545,988 S *	7/2007	Goetz-Schaefer .....	D26/71
D626,676 S *	11/2010	Johnson .....	D26/67
D637,339 S *	5/2011	Hasan .....	D26/72
D637,340 S *	5/2011	Hasan .....	D26/72

D759,285 S *	6/2016	Mitchell .....	D26/89
D767,195 S *	9/2016	Pollack, Jr. ....	D26/119
2009/0135607 A1*	5/2009	Holloway .....	F21V 25/12 362/362

**OTHER PUBLICATIONS**

Appleton Contender LED, Electrical News, Dec. 13, 2018, site visited Aug. 23, 2019, available online at <https://electricalnews.com/appleton-contender-retrofit-led-saves-up-to-65-percent-energy-1...> (Year: 2018).\*

\* cited by examiner

*Primary Examiner* — Cathron C Brooks

(74) *Attorney, Agent, or Firm* — McDonnell Boehnen Hulbert & Berghoff LLP

(57) **CLAIM**

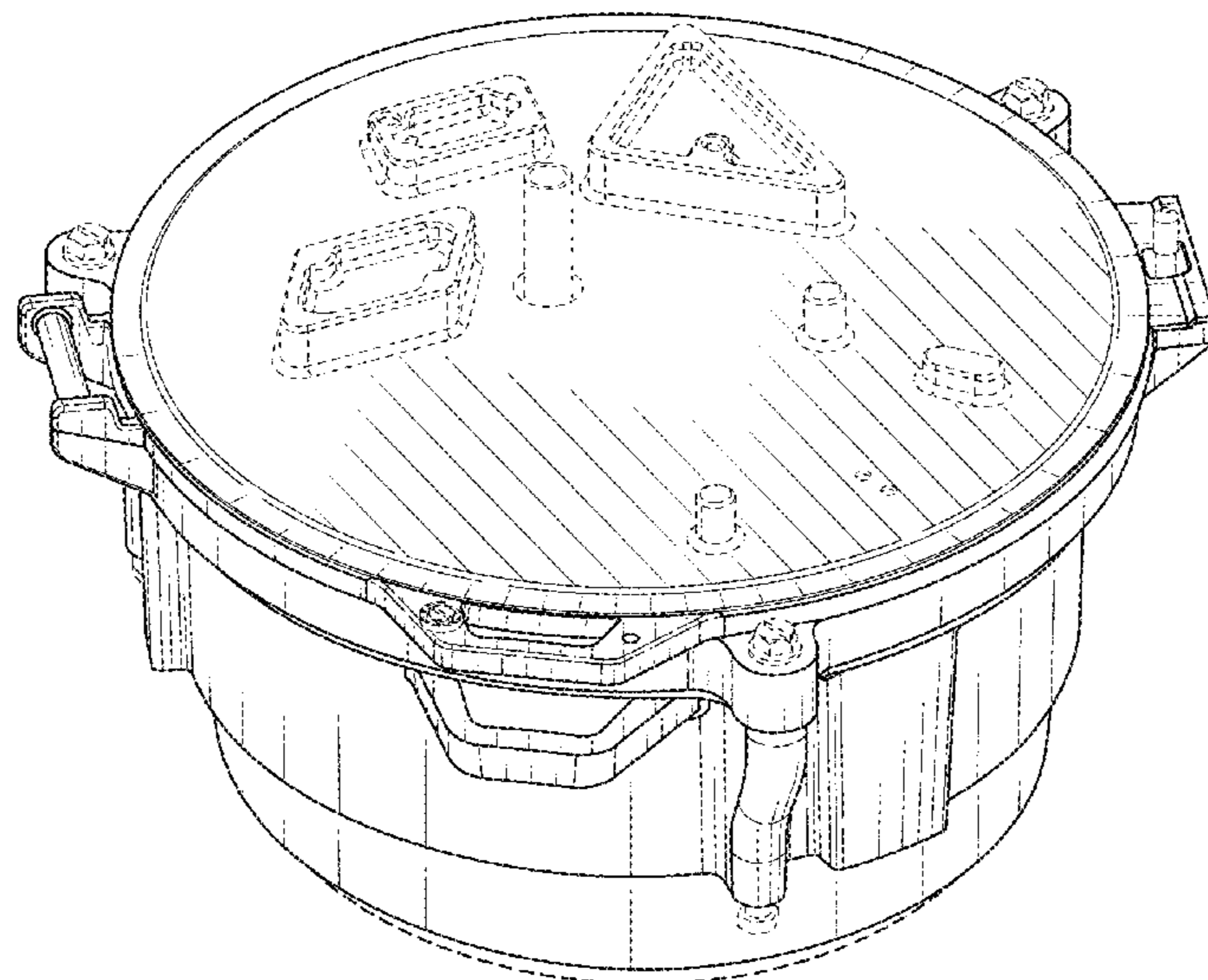
The ornamental design for an LED fixture, as shown and described.

**DESCRIPTION**

FIG. 1 is a perspective top view of an LED fixture having the inventive design;  
FIG. 2 is a left side view of the LED fixture shown in FIG. 1;  
FIG. 3 is a front side view of the LED fixture shown in FIG. 1;  
FIG. 4 is a right side view of the LED fixture shown in FIG. 1;  
FIG. 5 is a rear view of the LED fixture shown in FIG. 1;  
FIG. 6 is a top view of the LED fixture shown in FIG. 1; and, FIG. 7 is a bottom view of the LED fixture shown in FIG. 1.

The broken line disclosure represents portions of the LED fixture which forms no part of the claimed design.

**1 Claim, 7 Drawing Sheets**



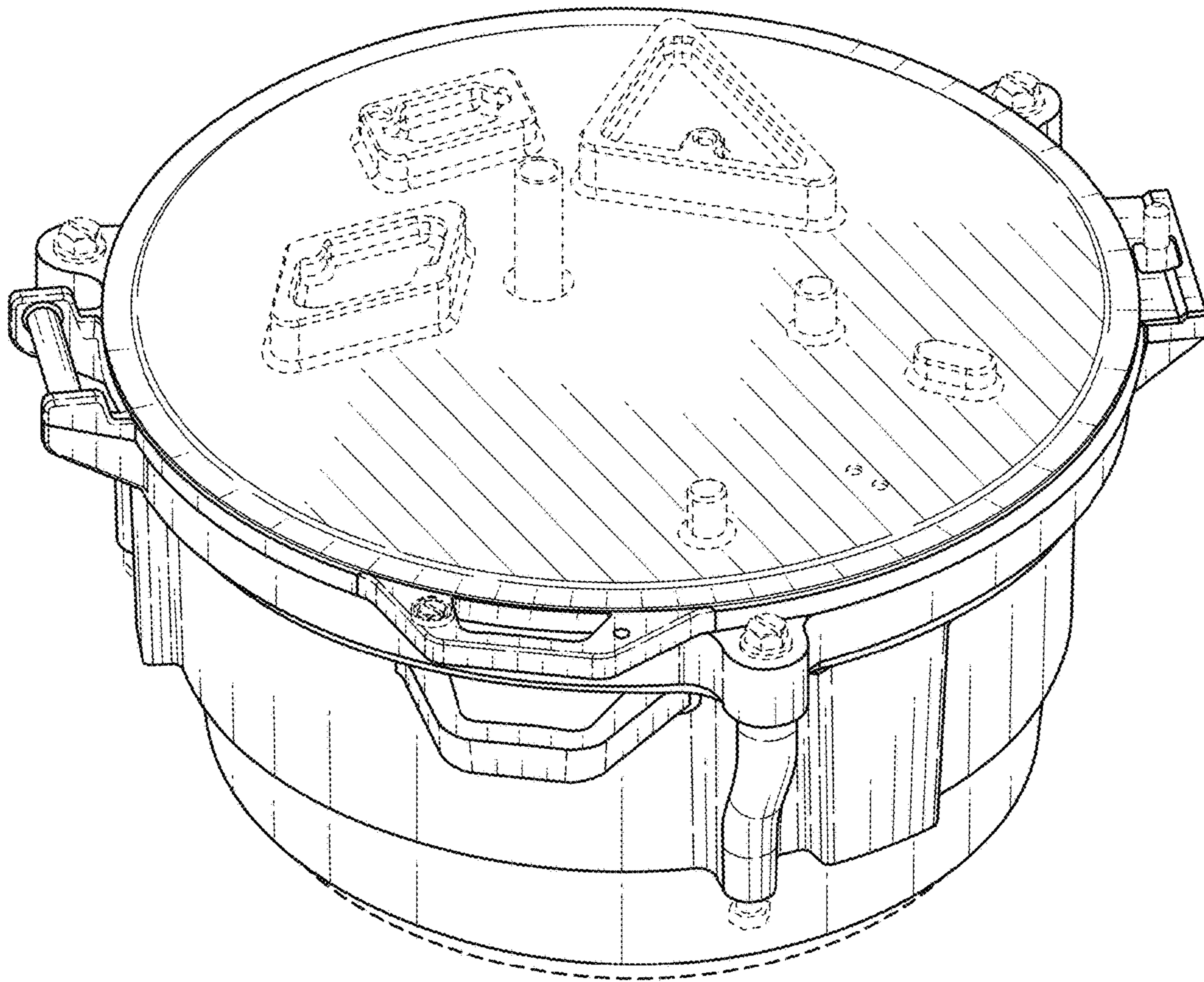


FIG. 1

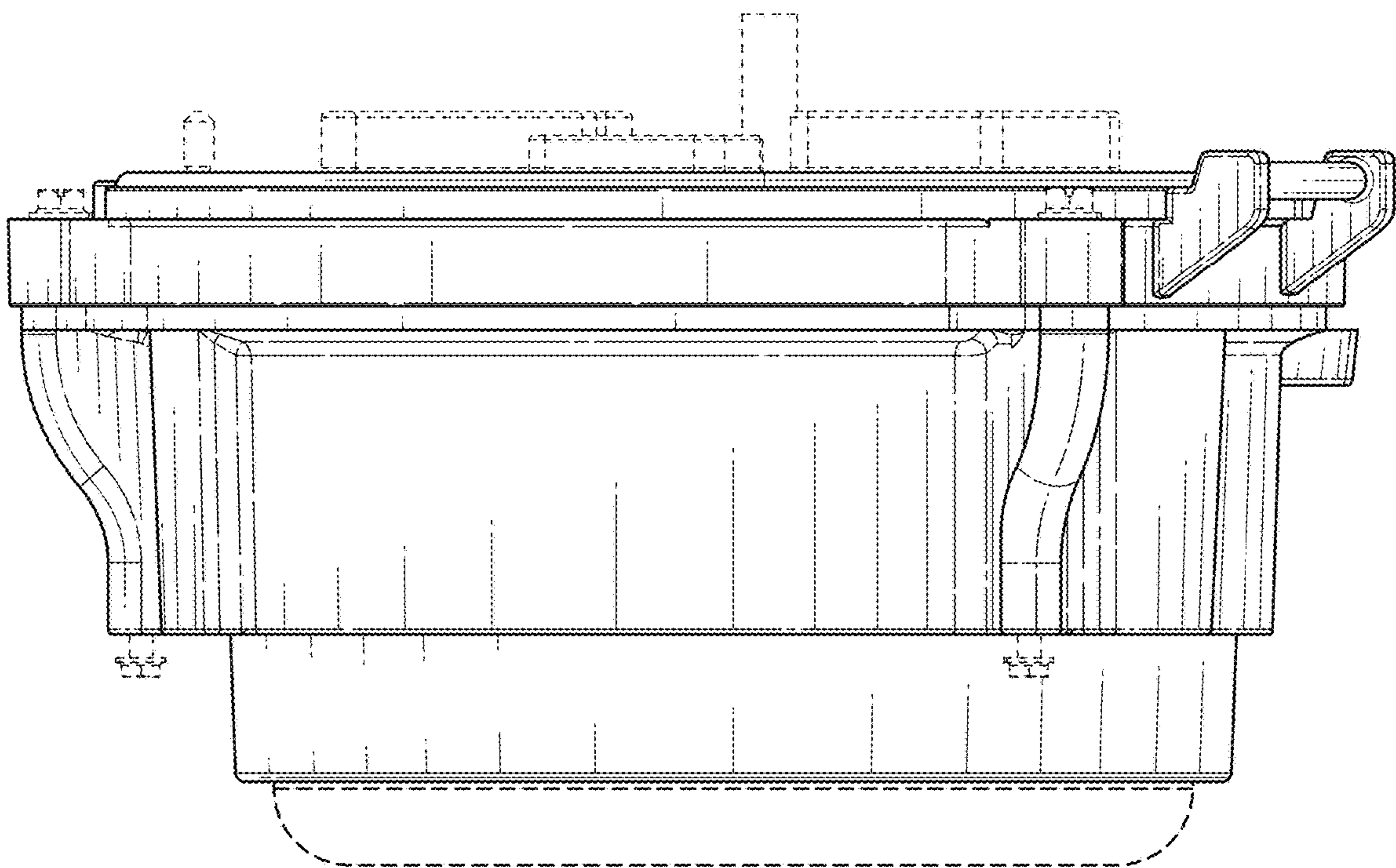


FIG. 2



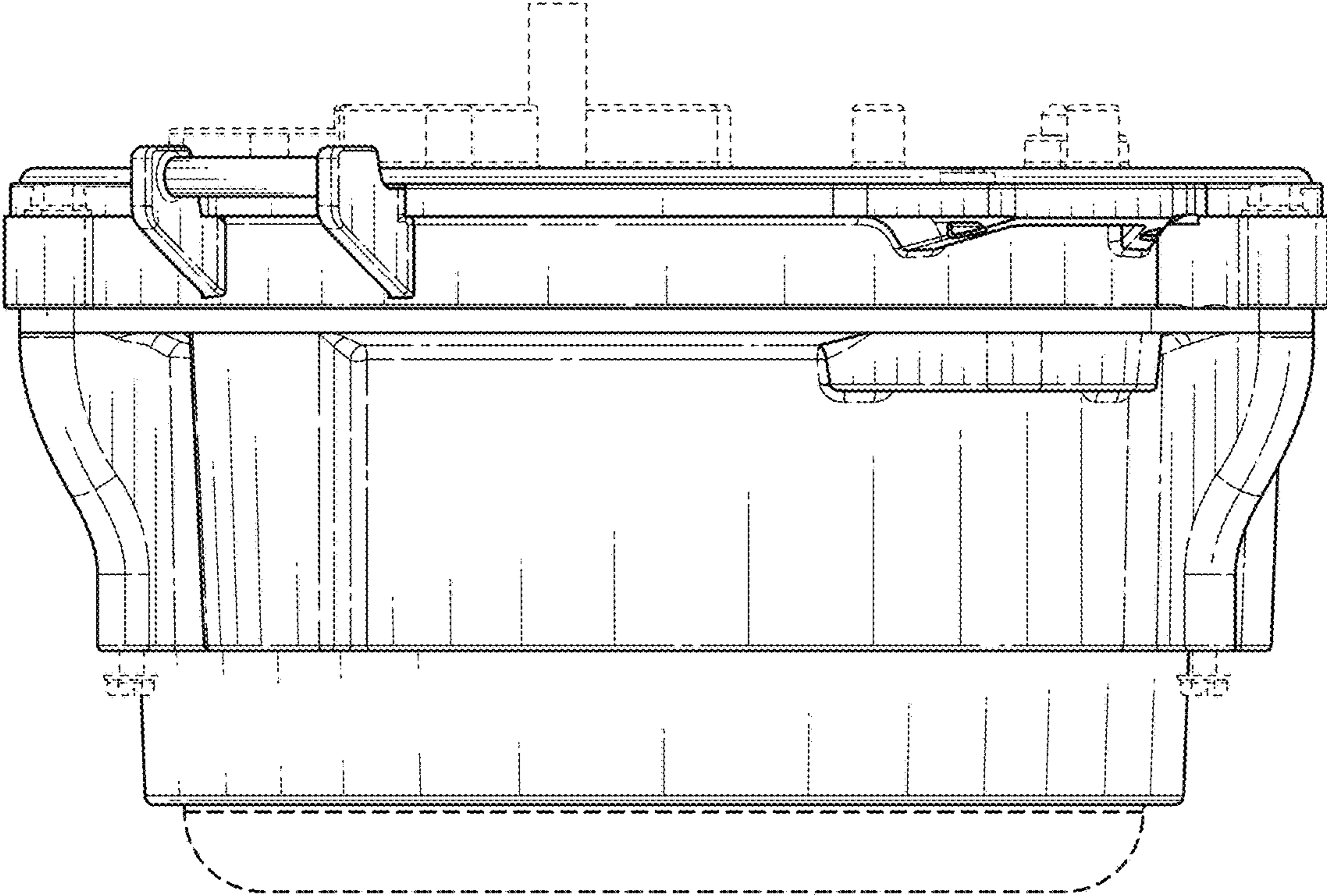


FIG. 3

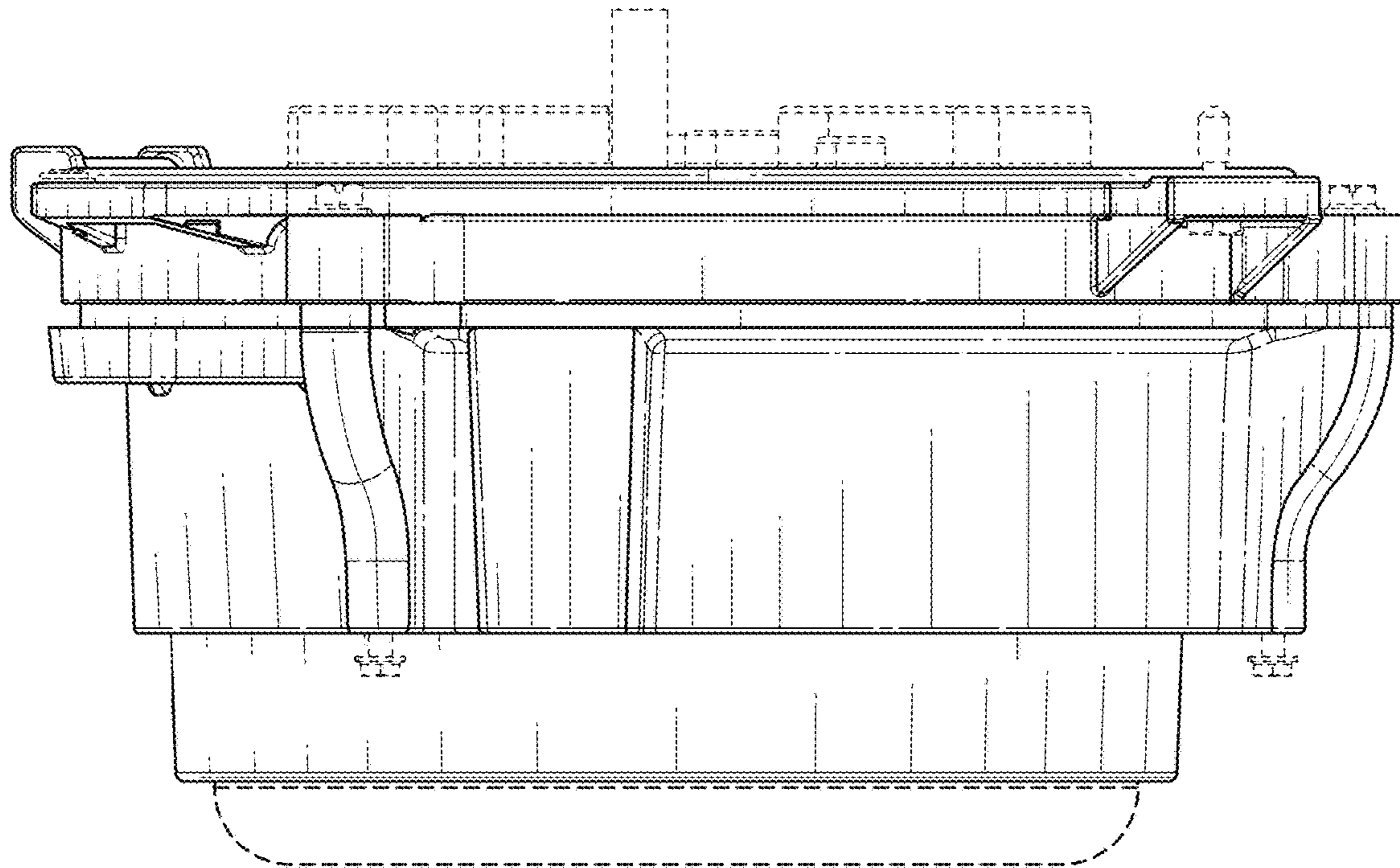


FIG. 4

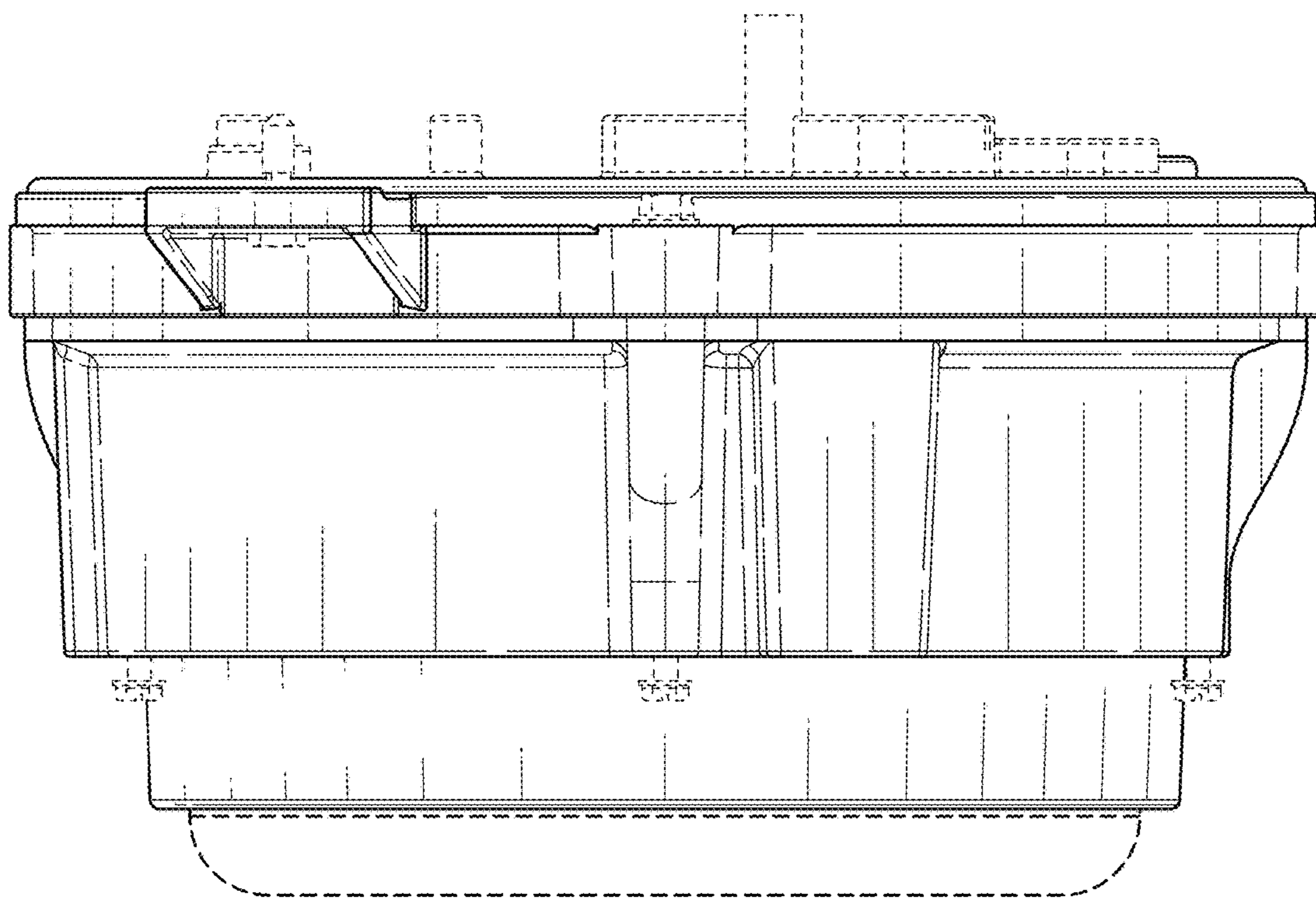


FIG. 5

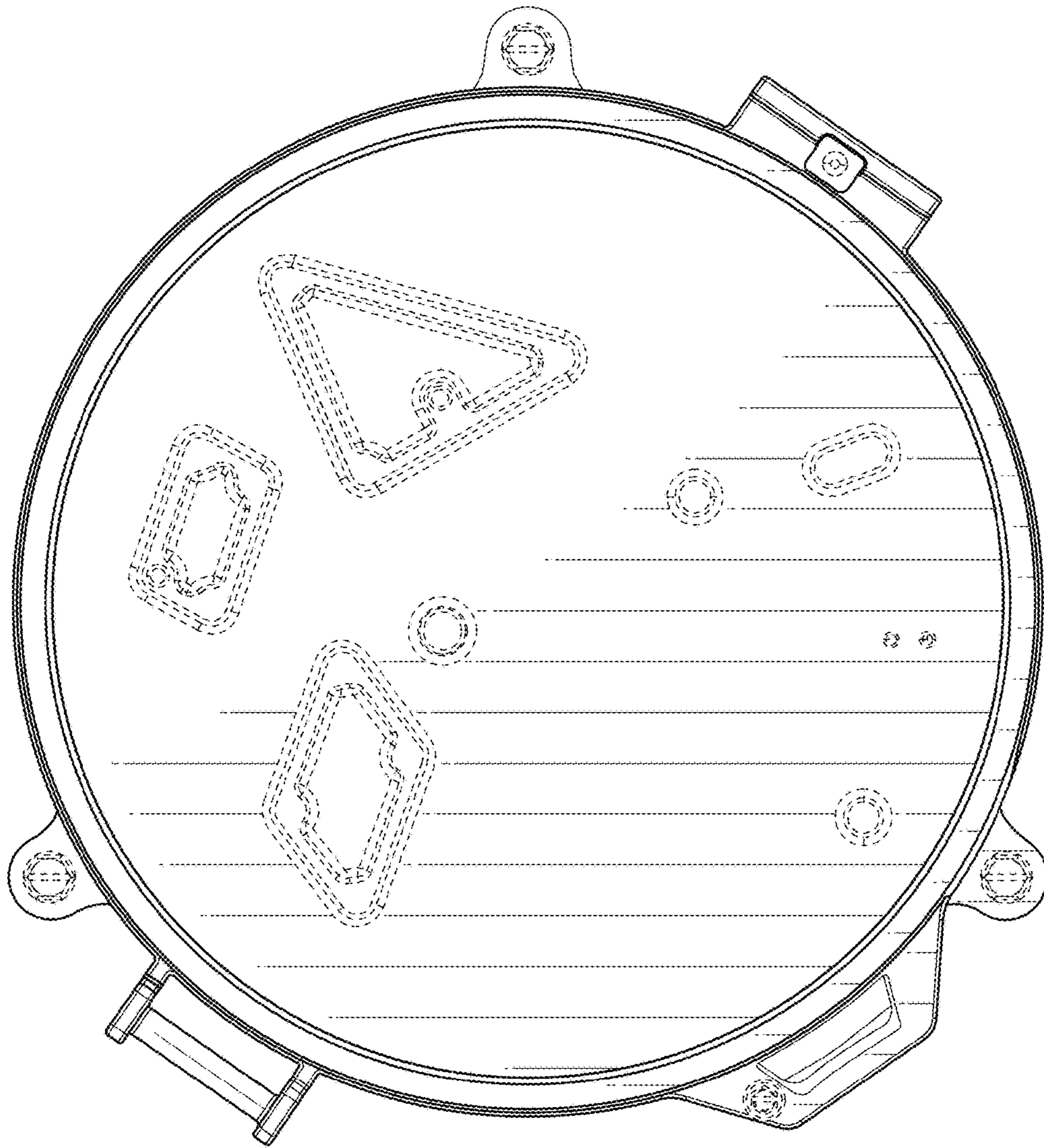


FIG. 6



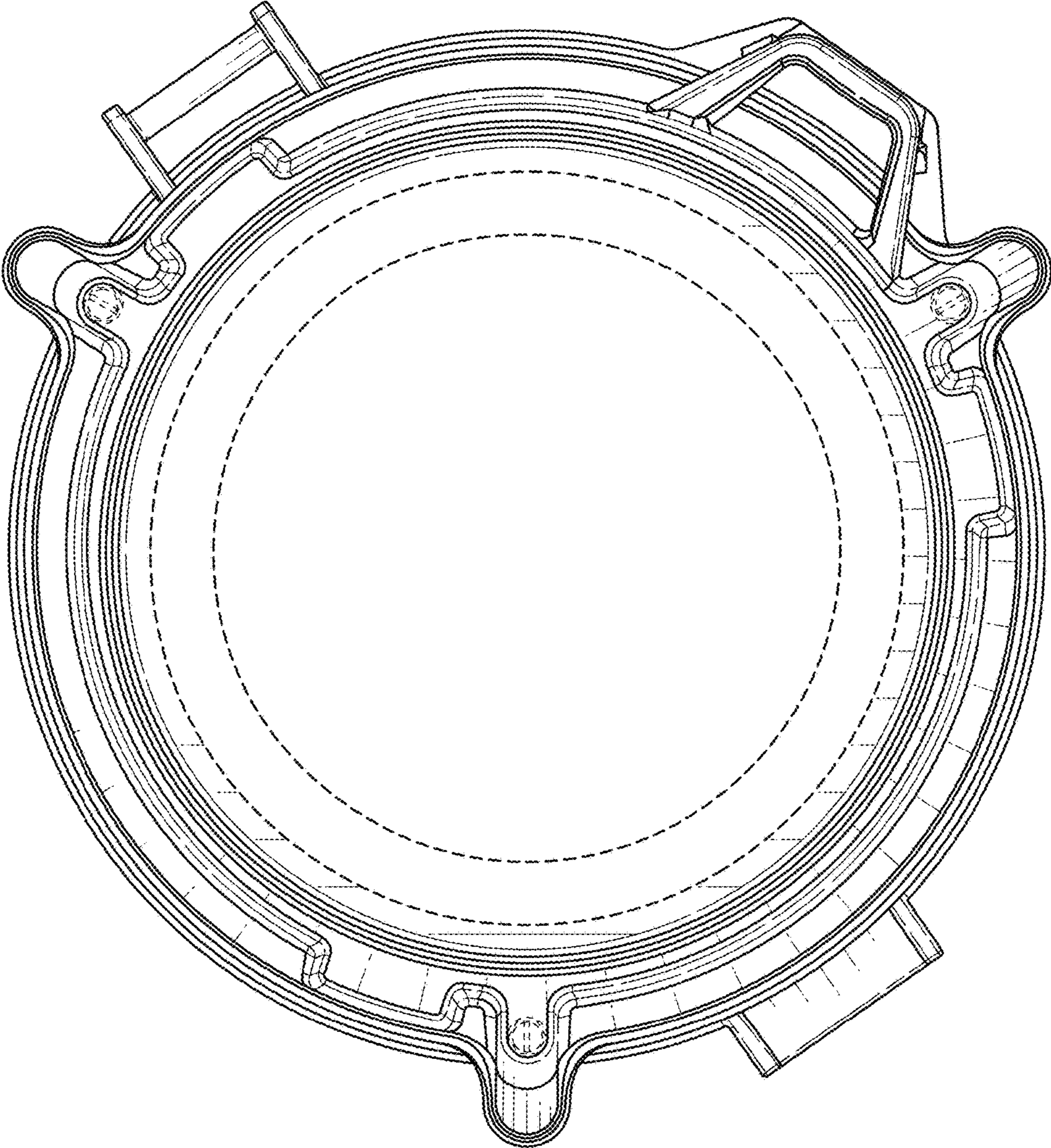


FIG. 7