



US00D866038S

(12) **United States Design Patent**
Zhang

(10) **Patent No.:** **US D866,038 S**

(45) **Date of Patent:** **** Nov. 5, 2019**

(54) **SOLAR FLAME LIGHT**

(71) Applicant: **Shenzhen City Yuyiyuan Technology Co., Ltd.**, Guangdong (CN)

(72) Inventor: **Donglin Zhang**, Guangdong (CN)

(**) Term: **15 Years**

(21) Appl. No.: **29/654,255**

(22) Filed: **Jun. 22, 2018**

(51) **LOC (12) Cl.** **26-05**

(52) **U.S. Cl.**
USPC **D26/68**

(58) **Field of Classification Search**
USPC D26/67-71
CPC F21S 8/08; F21S 8/081; F21S 8/083; F21S 8/088; F21S 9/03; F21S 9/037; F21V 21/0824; F21W 2111/023; F21W 2111/02; F21W 2131/109

See application file for complete search history.

(56) **References Cited**

U.S. PATENT DOCUMENTS

D32,529 S * 4/1900 Stenz D26/134
D252,894 S * 9/1979 Hazerjian D26/67
D464,158 S * 10/2002 Hon Siu Cheong D26/67

D541,968 S * 5/2007 Tortel D26/2
D615,684 S * 5/2010 Chen D26/68
D694,933 S * 12/2013 Meyer D26/67
9,080,751 B2 * 7/2015 Steele F21V 21/00
D816,254 S * 4/2018 Zhang D26/68
D824,562 S * 7/2018 Chen D26/68
D841,213 S * 2/2019 Zhuo D26/68
D843,041 S * 3/2019 Xiao D26/68

* cited by examiner

Primary Examiner — Clare E Heflin

(74) *Attorney, Agent, or Firm* — Prakash Nama; Global IP Services, PLLC

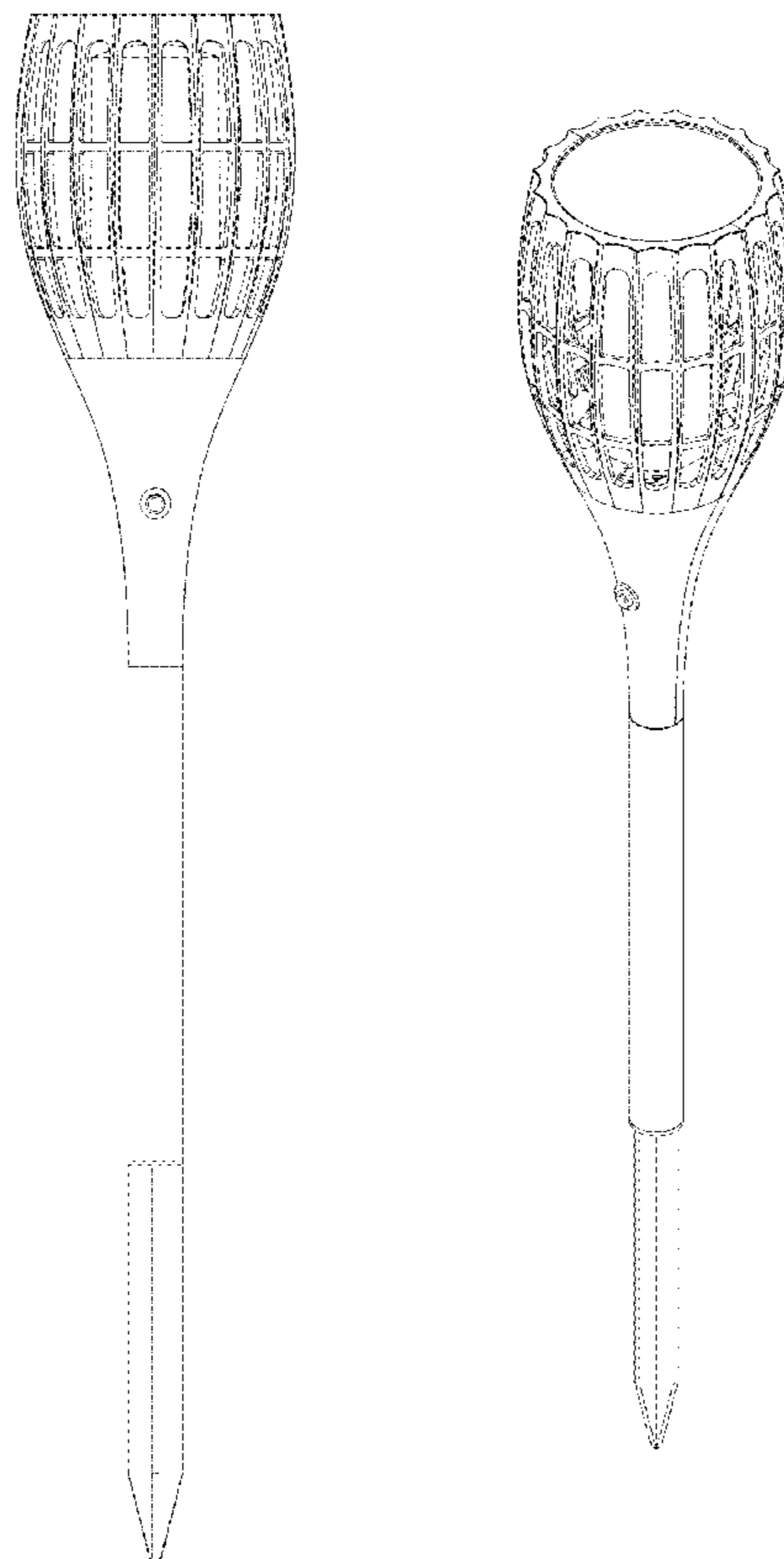
(57) **CLAIM**

The ornamental design for a solar flame light, as shown and described.

DESCRIPTION

FIG. 1 is a front elevational view of a solar flame light showing my new design;
FIG. 2 is a rear elevational view thereof;
FIG. 3 is a left side view thereof;
FIG. 4 is a right side view thereof;
FIG. 5 is a top plan view thereof;
FIG. 6 is a bottom plan view thereof; and,
FIG. 7 is a perspective view thereof.
The broken lines shown on the drawings depict portions of the solar flame light that form no part of the claimed design.

1 Claim, 4 Drawing Sheets



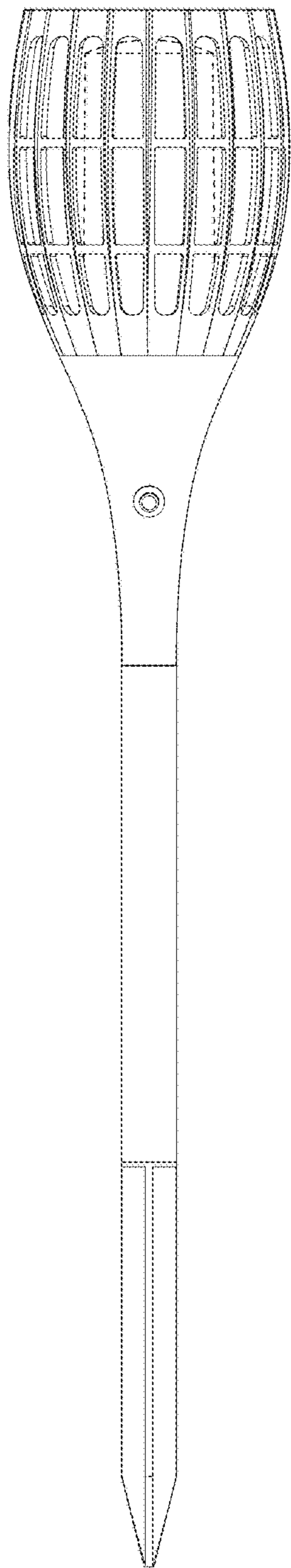


Fig. 1

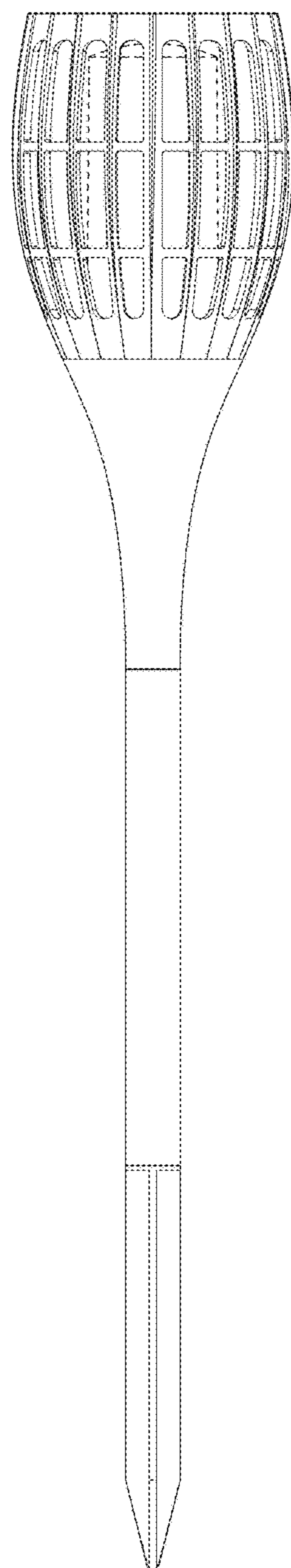


Fig. 2

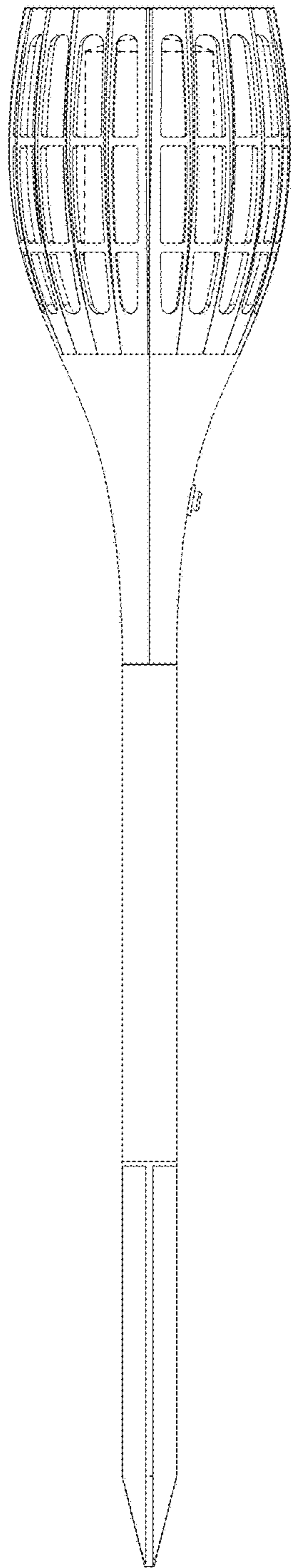


Fig. 3

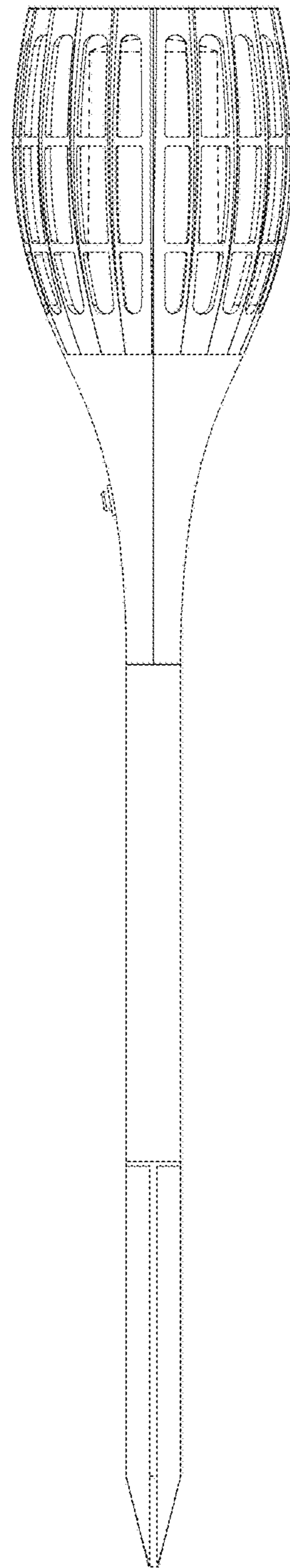


Fig. 4

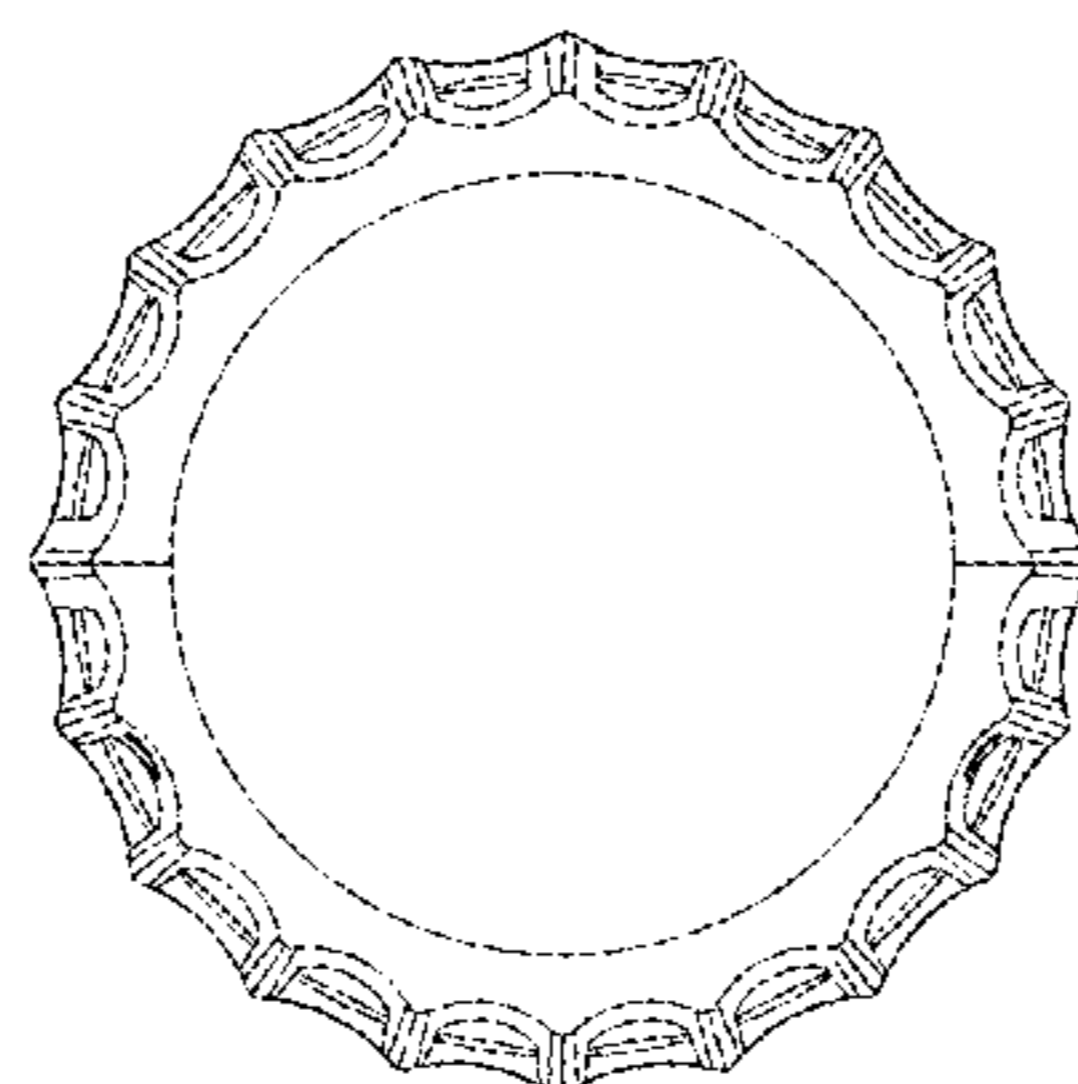


Fig. 5

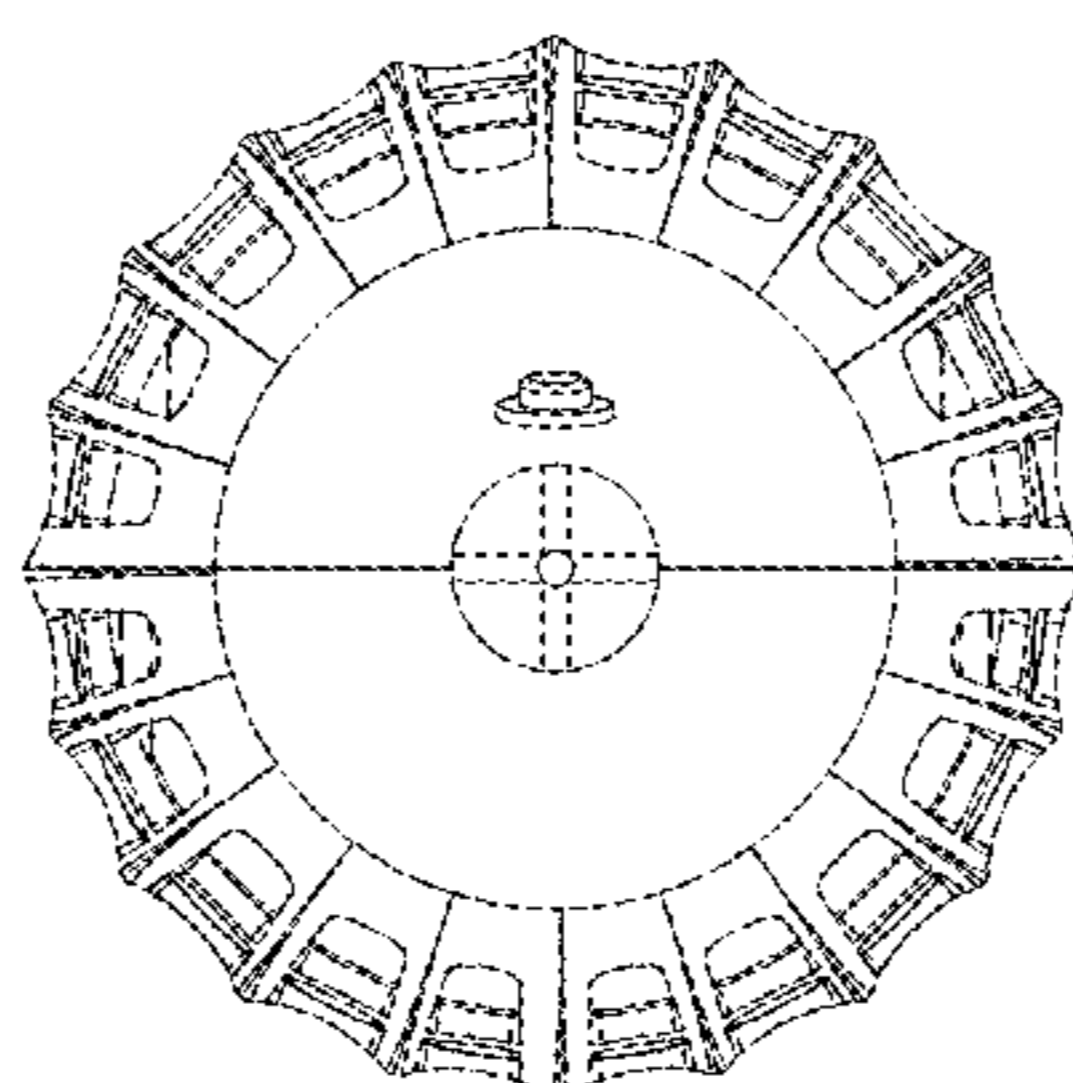


Fig. 6

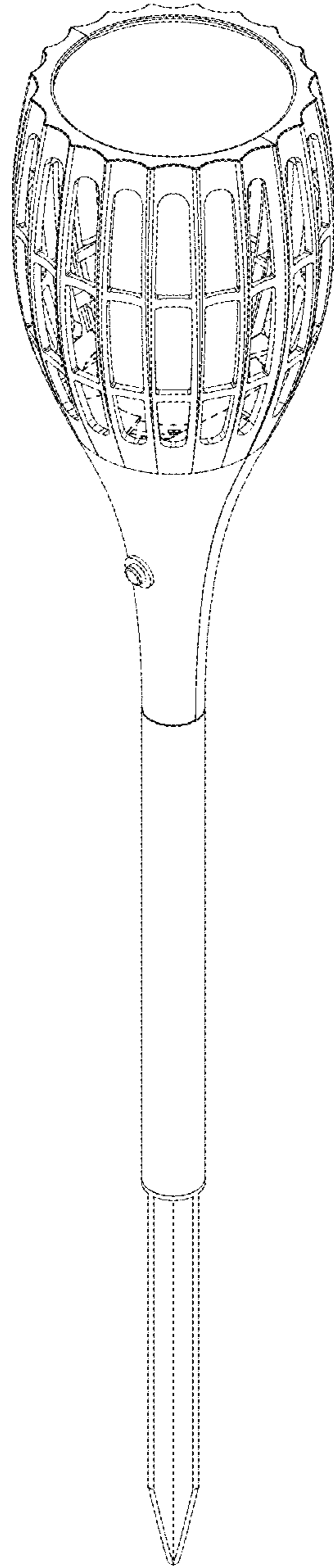


Fig. 7