



US00D866037S

(12) **United States Design Patent** (10) **Patent No.:** **US D866,037 S**
Hu (45) **Date of Patent:** **** Nov. 5, 2019**

(54) **UMBRELLA LIGHT**

(71) Applicant: **Haiyong Hu**, Hunan (CN)

(72) Inventor: **Haiyong Hu**, Hunan (CN)

(**) Term: **15 Years**

(21) Appl. No.: **29/656,556**

(22) Filed: **Jul. 13, 2018**

(51) **LOC (12) Cl.** **26-05**

(52) **U.S. Cl.**
USPC **D26/67**

(58) **Field of Classification Search**
USPC D26/67-71, 60; D25/135
CPC F21S 8/08; F21S 8/081; F21S 8/083; F21S
8/088; F21S 9/03; F21S 9/037; F21V
21/0824; F21W 2111/023; F21W 2111/02;
F21W 2131/109

See application file for complete search history.

(56) **References Cited**

U.S. PATENT DOCUMENTS

4,225,909	A *	9/1980	Scholz	F21S 8/08 362/367
D475,801	S *	6/2003	Stewart	D26/67
7,134,762	B2 *	11/2006	Ma	A45B 3/04 362/102
7,192,058	B2 *	3/2007	Fleming	A63C 11/24 280/819
D558,908	S *	1/2008	Waedeled	D26/67
7,331,684	B2 *	2/2008	Tung	A45B 3/04 135/16
D564,687	S *	3/2008	Bucher	D26/60
7,401,936	B1 *	7/2008	Fan	A45B 3/04 362/102
7,695,153	B2 *	4/2010	Tsai	A45B 3/04 135/16
D680,673	S *	4/2013	Levine	D26/60

D744,687	S *	12/2015	Li	D26/67
D800,364	S *	10/2017	Lee	D26/67
2017/0290274	A1 *	10/2017	Sulejmani	A01G 7/045

OTHER PUBLICATIONS

Patio Umbrella Lights, 32 LED Umbrella Lights 2 Modes Rechargeable Patio Light for Patio Umbrella Camping Tents and Other Outdoor Use by Creative Design. Available at amazon.com Apr. 27, 2019. (Year: 2019).*

* cited by examiner

Primary Examiner — Clare E Heflin

(74) *Attorney, Agent, or Firm* — Jie Yang; HYIP

(57) **CLAIM**

The ornamental design for an umbrella light, as shown and described.

DESCRIPTION

FIG. 1 is a perspective view of umbrella light, showing my new design;

FIG. 2 is a front view thereof;

FIG. 3 is a rear view thereof;

FIG. 4 is a left-side view thereof;

FIG. 5 is a right-side view thereof;

FIG. 6 is a top view thereof;

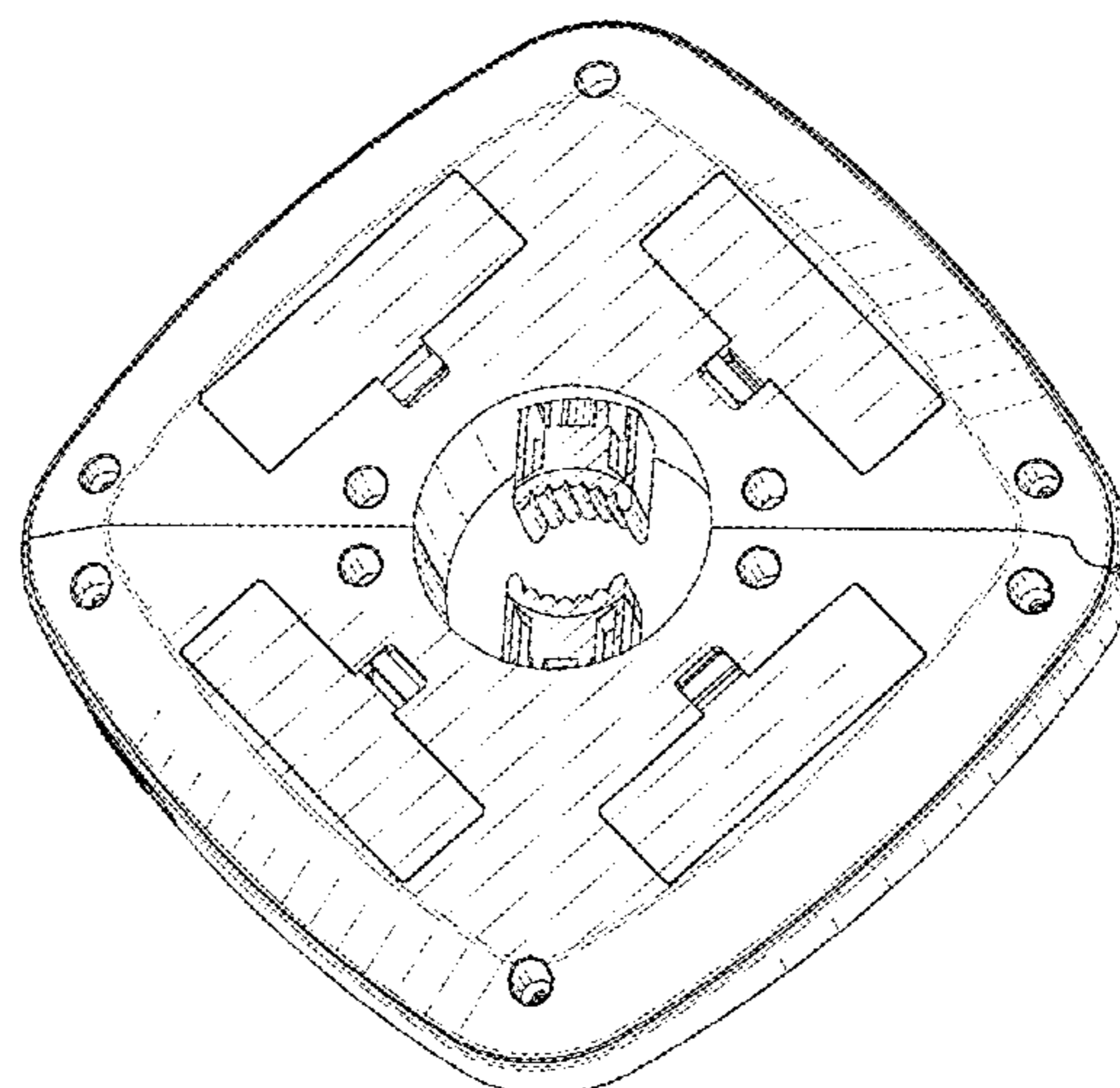
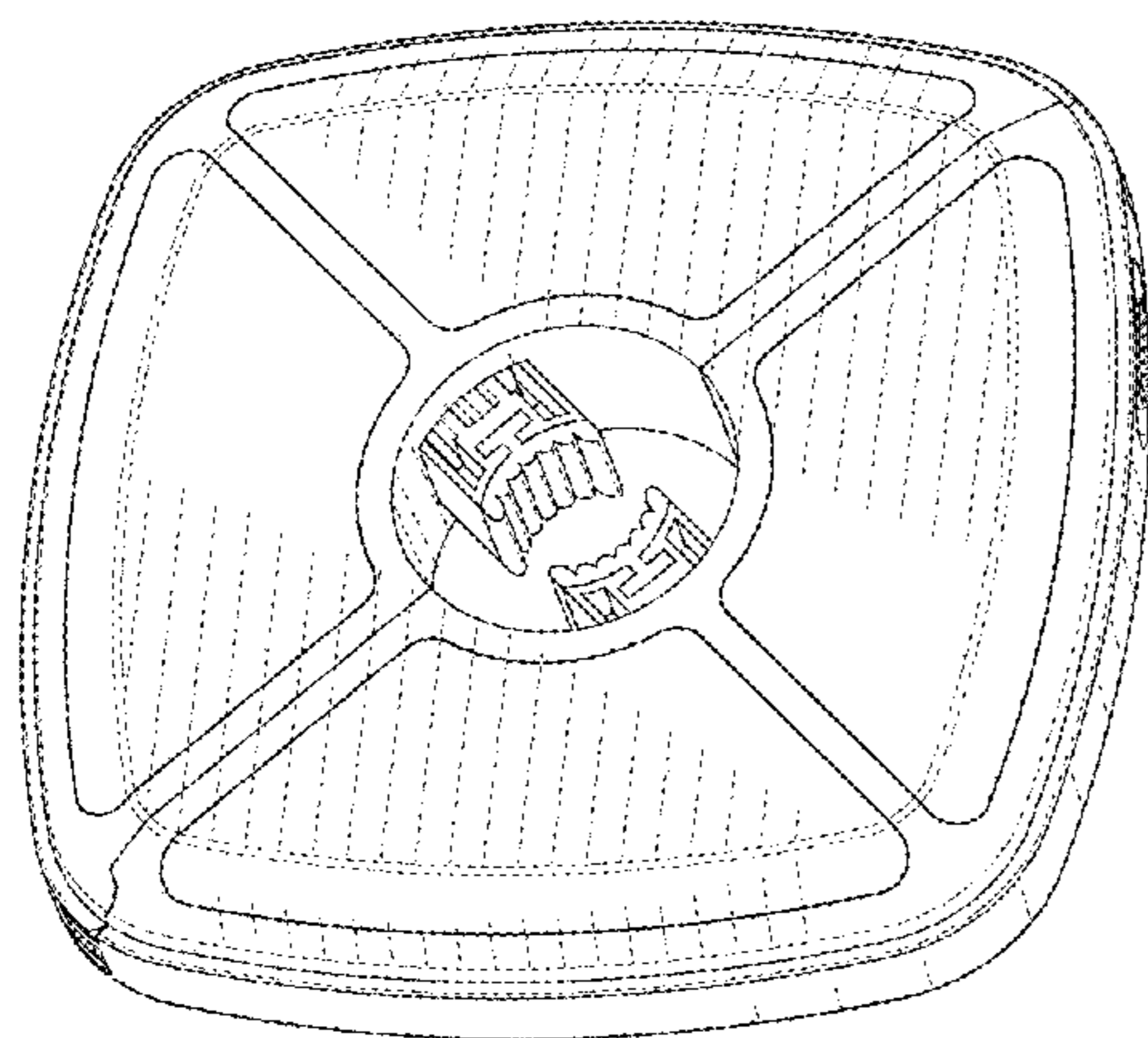
FIG. 7 is a bottom view thereof; and

FIG. 8 is a bottom perspective view thereof; and,

FIG. 9 is a front view thereof, showing the umbrella light in the open position.

The claimed umbrella light are an illumination apparatus to be clipped and set on umbrella ribs for supplementing light to an object through reflection of umbrella cover.

1 Claim, 8 Drawing Sheets



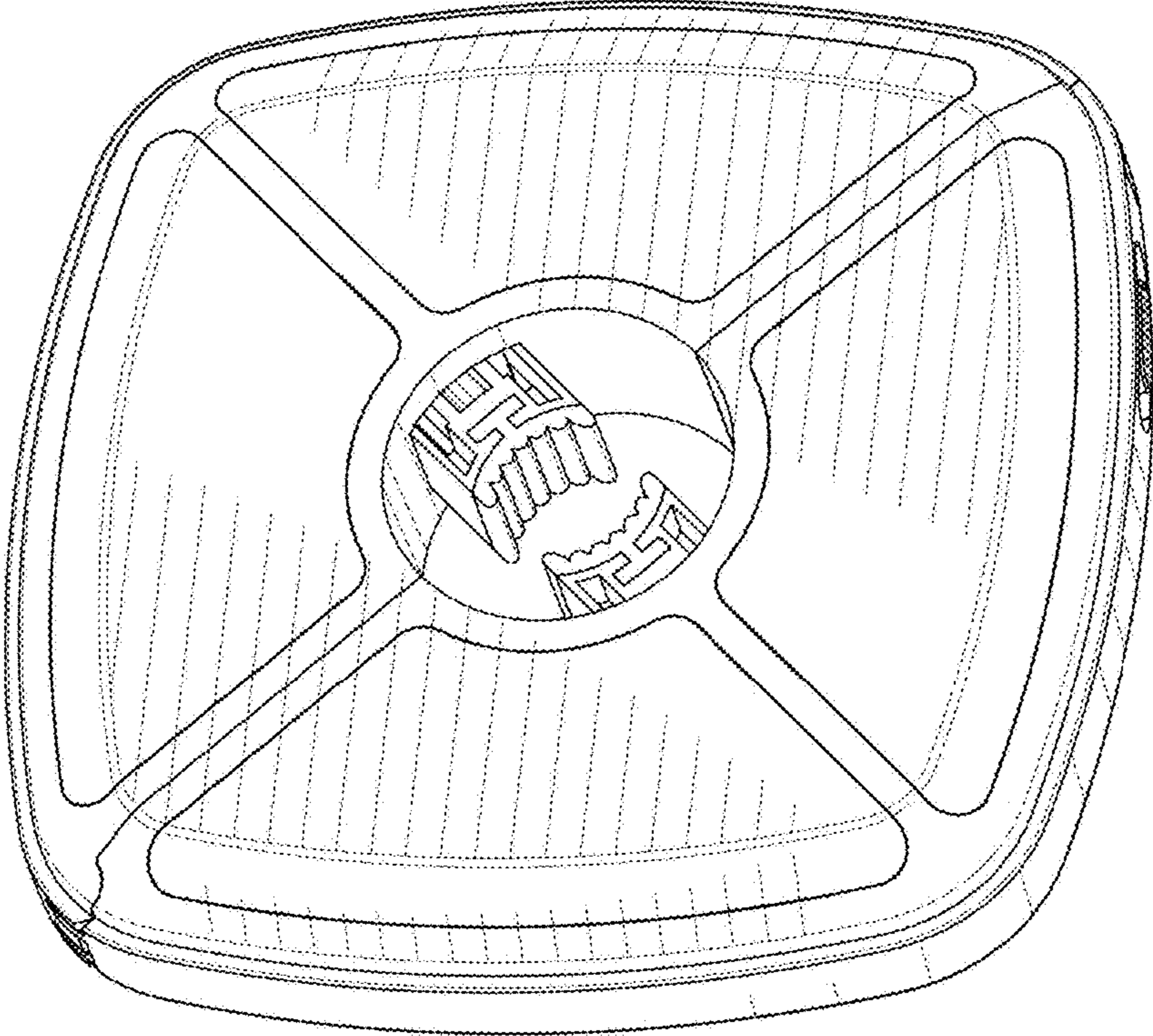


FIG. 1

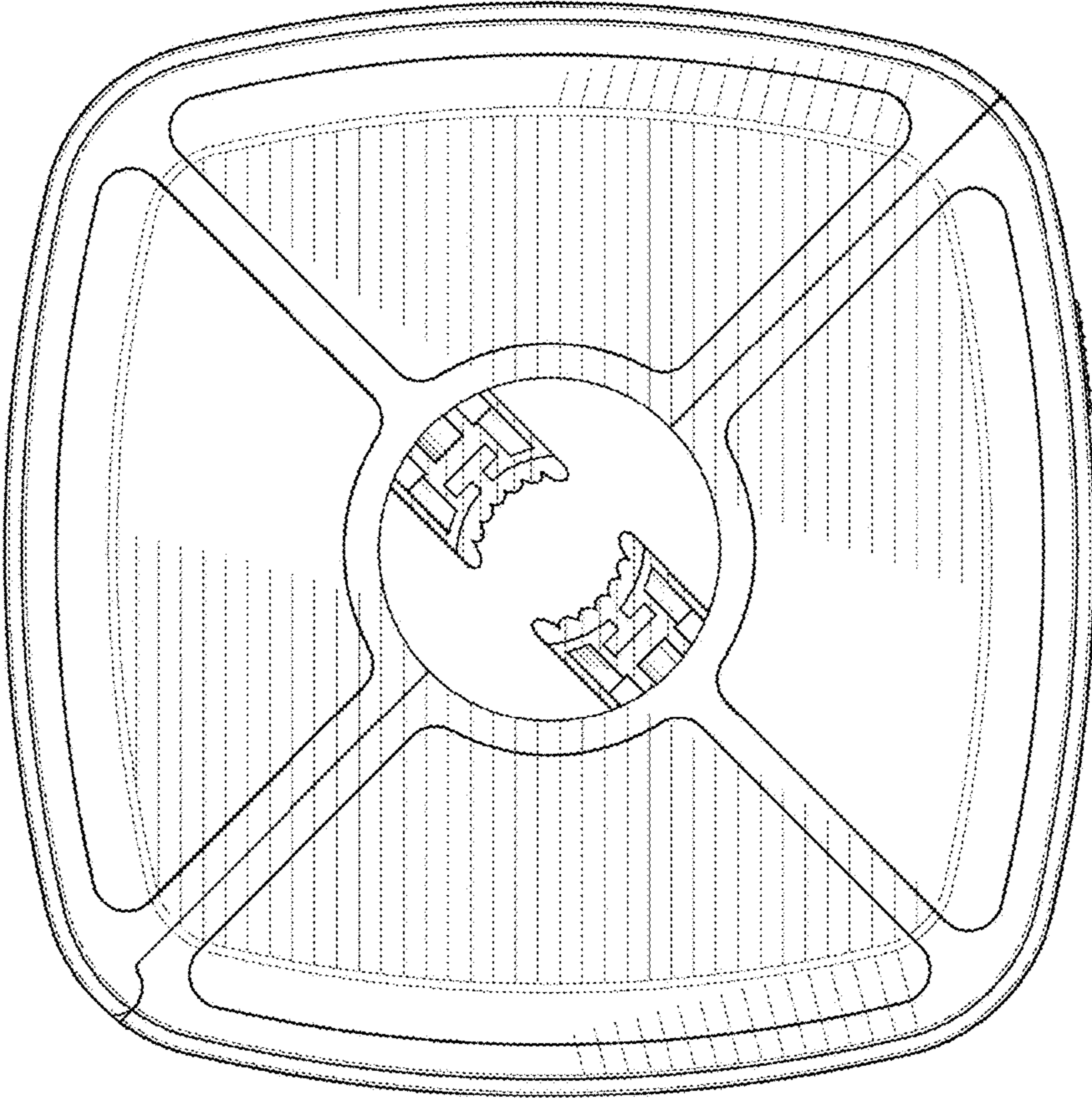


FIG. 2

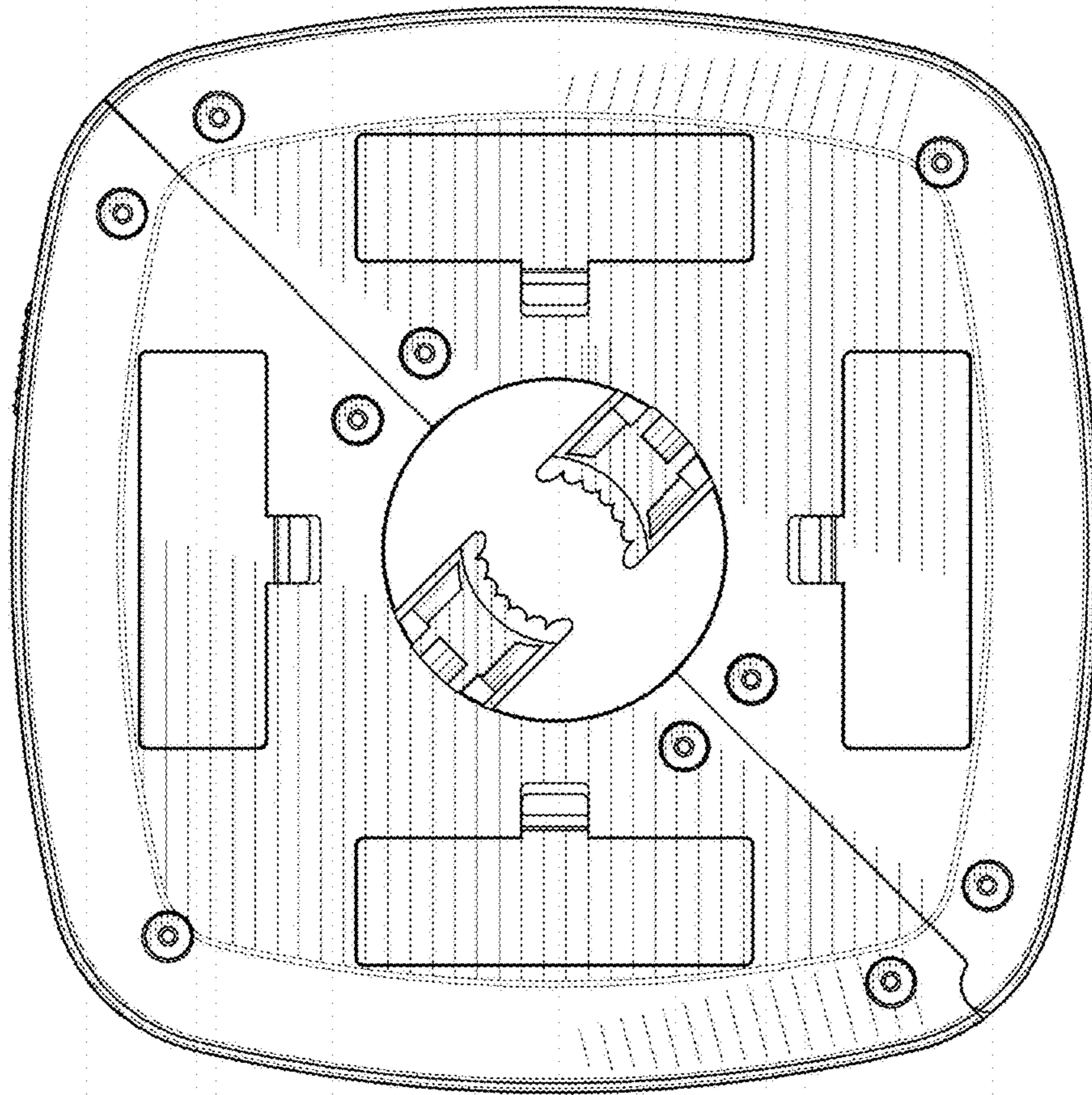


FIG. 3

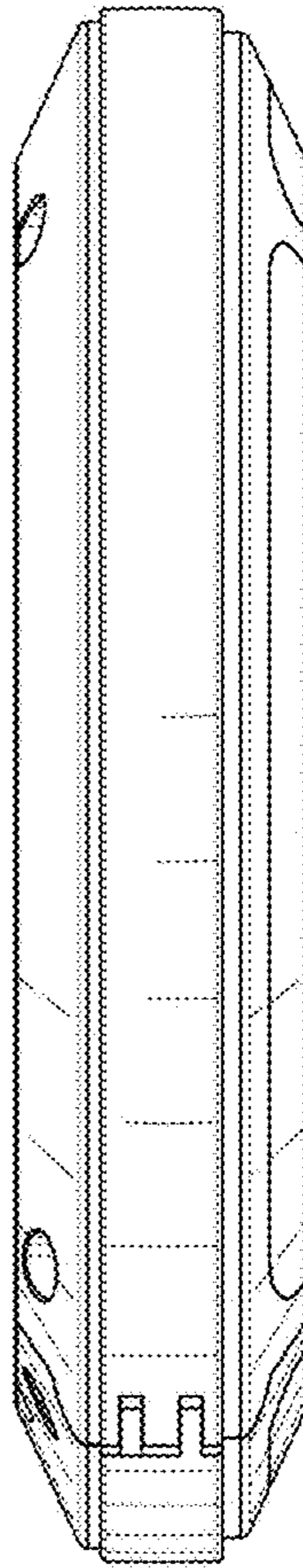


FIG. 4

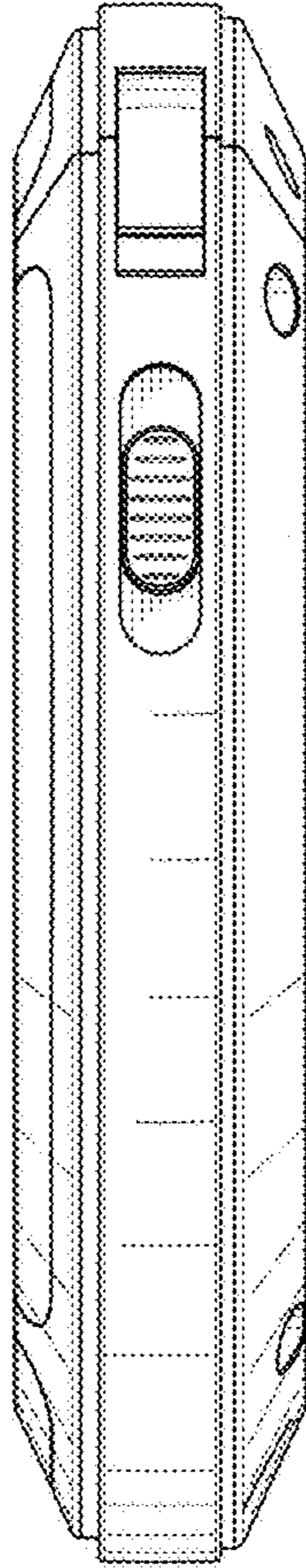


FIG. 5

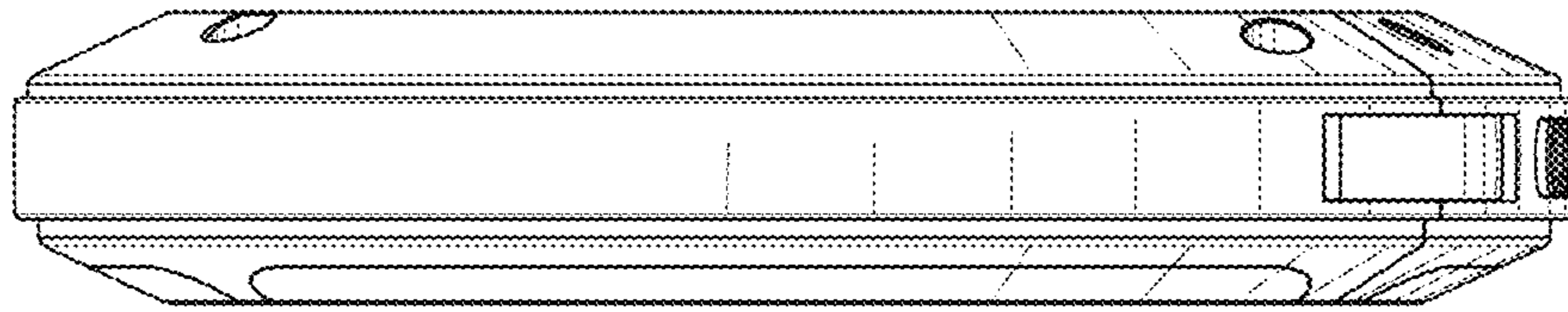


FIG. 6

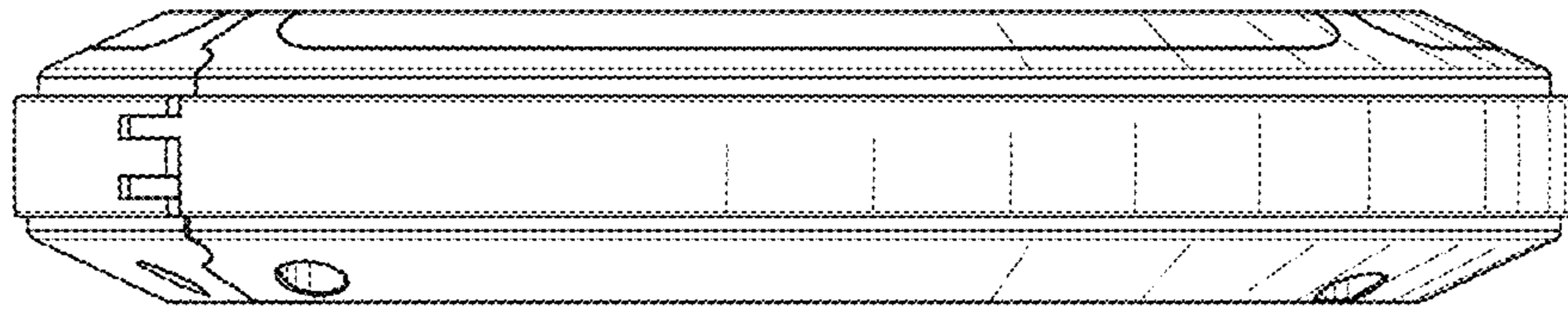


FIG. 7

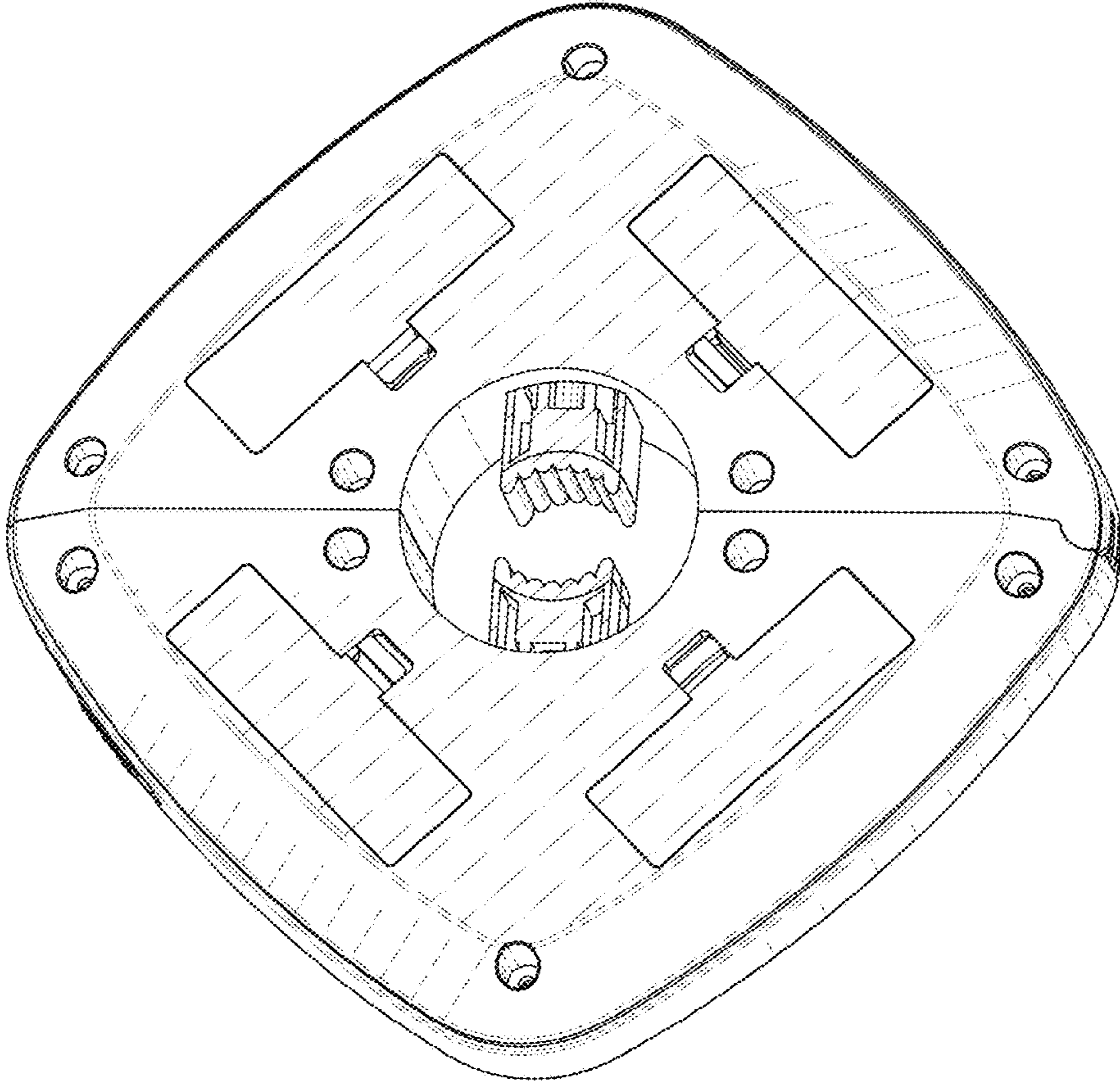


FIG. 8

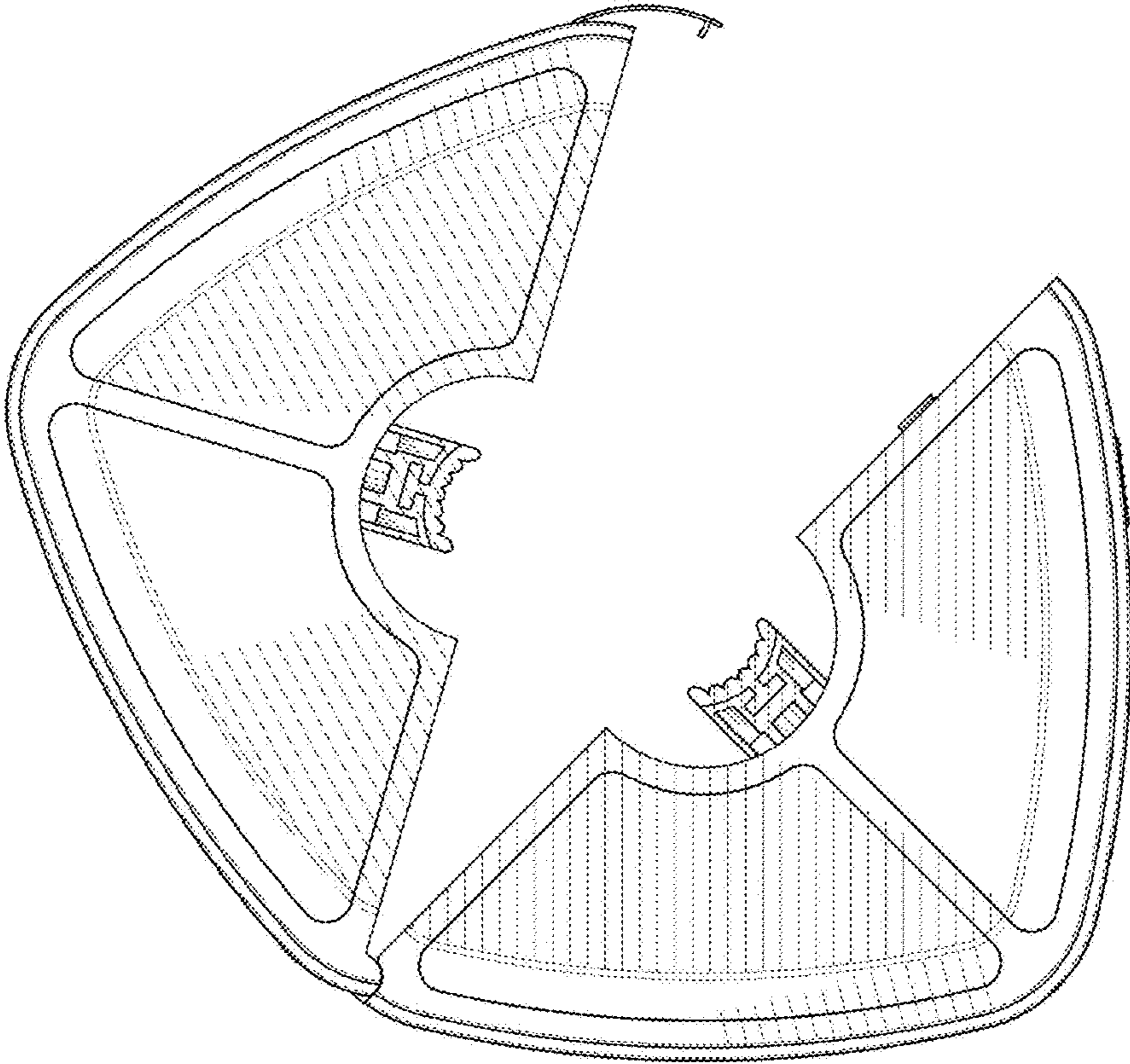


FIG. 9