



US00D866036S

(12) **United States Design Patent**
Tan

(10) **Patent No.:** **US D866,036 S**

(45) **Date of Patent:** **** Nov. 5, 2019**

(54) **MOTION SENSOR LIGHT**

(71) Applicant: **Solar Nation PowerTech Enterprises Co., Ltd.**, Guangzhou, Guangdong Province (CN)

(72) Inventor: **Bo Tan**, Guangzhou (CN)

(73) Assignee: **Solar Nation PowerTech Enterprises Co., Ltd.**, Guangzhou (CN)

(**) Term: **15 Years**

(21) Appl. No.: **29/655,892**

(22) Filed: **Jul. 9, 2018**

(51) **LOC (12) Cl.** **26-03**

(52) **U.S. Cl.**
USPC **D26/63**

(58) **Field of Classification Search**
USPC D26/24, 51, 61, 63, 65, 72, 80, 120
CPC F21S 8/04; F21S 8/00; F21V 21/00; F21V 17/02; F21V 14/02; F21V 21/30; F21V 21/14; F21V 21/26; F21W 2131/10
See application file for complete search history.

(56) **References Cited**

U.S. PATENT DOCUMENTS

D386,801 S * 11/1997 Orgovan D26/72
D761,474 S * 7/2016 Chen D26/65

D799,104 S * 10/2017 Chen D26/120
D804,075 S * 11/2017 Fang D26/65
D821,021 S * 6/2018 Chen D26/120
D835,335 S * 12/2018 Paredes D26/120

* cited by examiner

Primary Examiner — Brian N. Vinson

(74) *Attorney, Agent, or Firm* — Leason Ellis LLP

(57) **CLAIM**

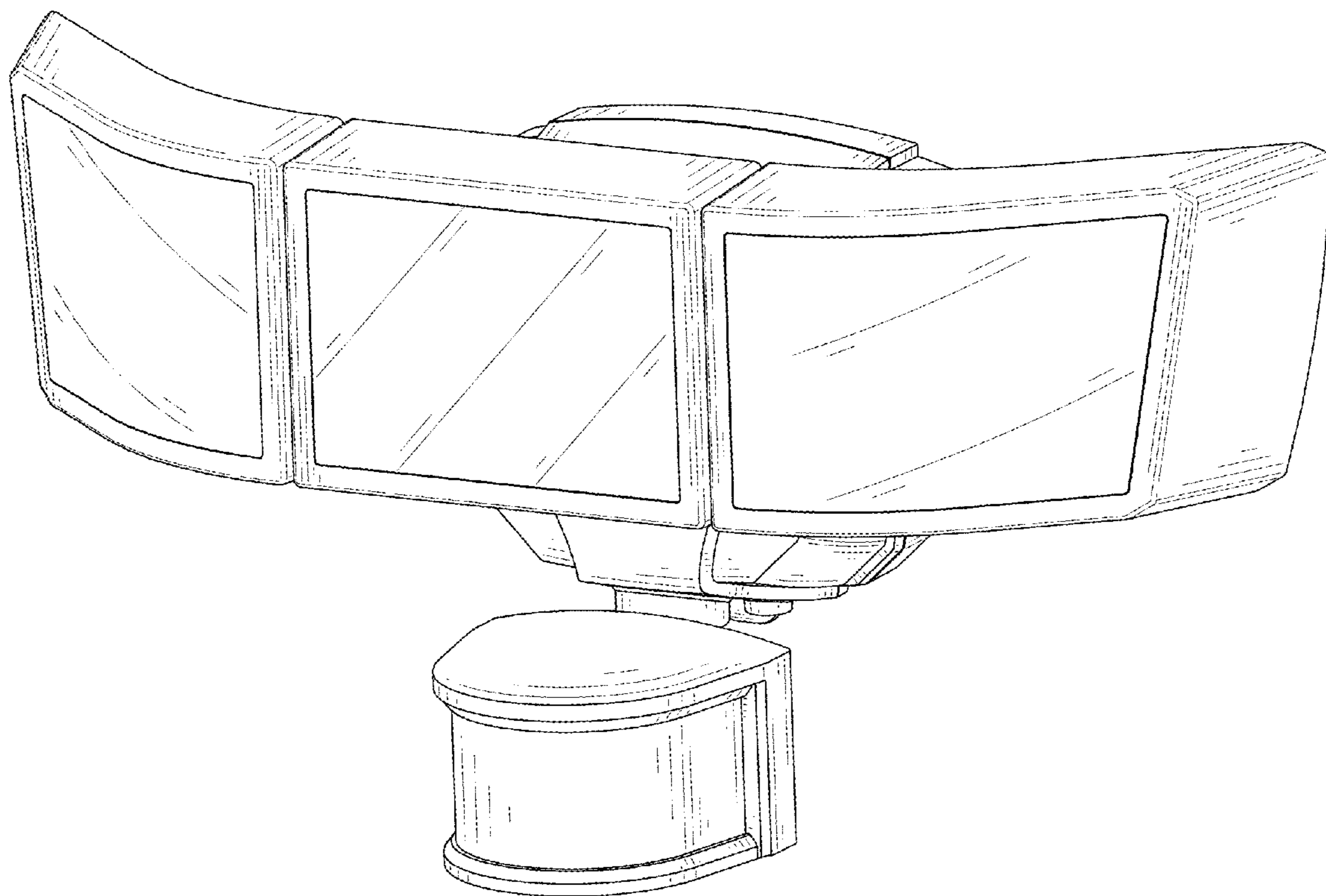
The ornamental design of a motion sensor light, substantially as shown and described.

DESCRIPTION

FIG. 1 is a front perspective view of a motion sensor light in accordance with the present invention;
FIG. 2 is a rear perspective view of the motion sensor light in FIG. 1;
FIG. 3 is a front side view thereof;
FIG. 4 is rear side view thereof;
FIG. 5 is left side view thereof;
FIG. 6 is right side view thereof;
FIG. 7 is a top side view thereof; and,
FIG. 8 is a bottom side view thereof.

The broken lines in the drawings represent portions of the motion sensor light that form no part of the claimed design.

1 Claim, 8 Drawing Sheets



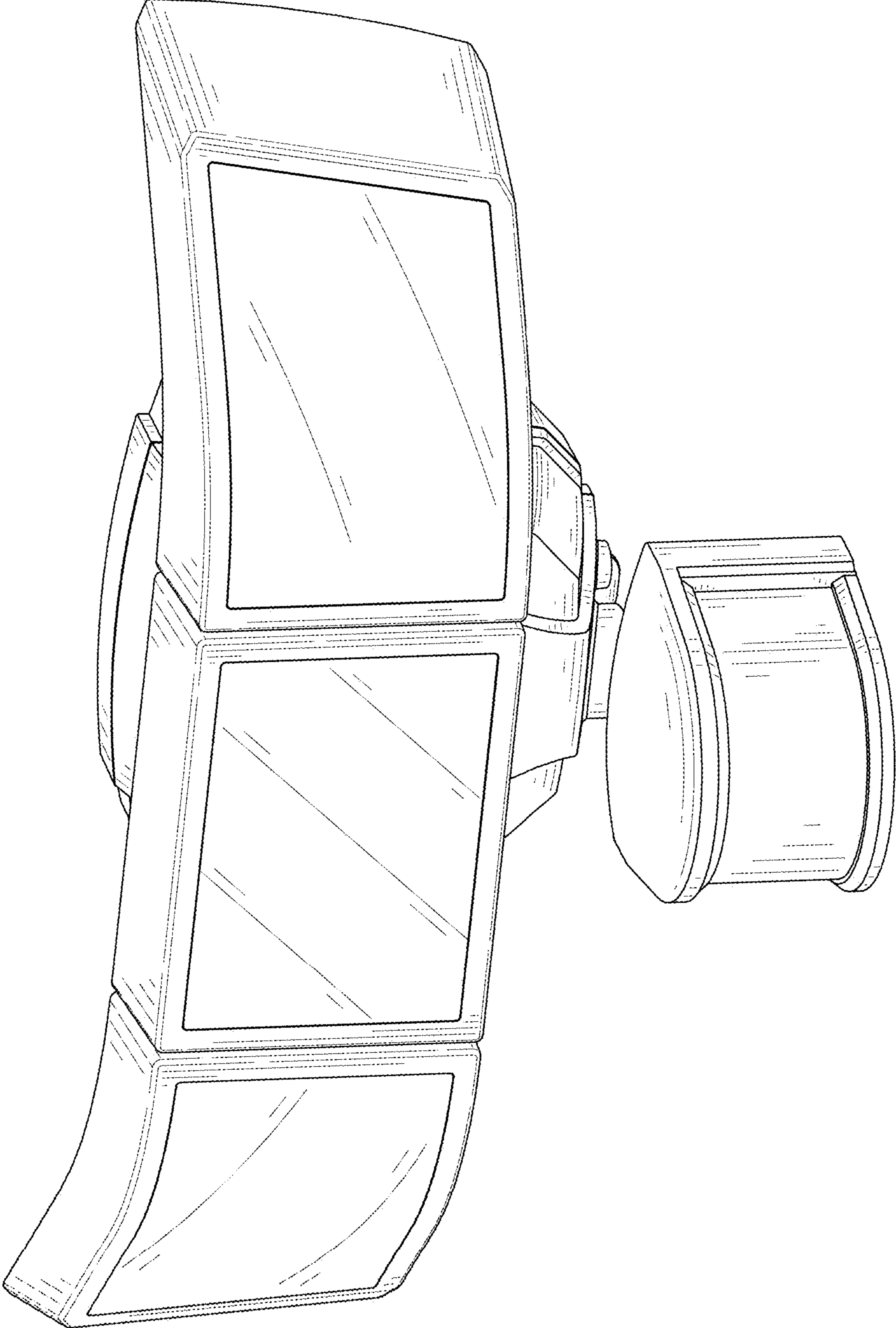


FIG. 1

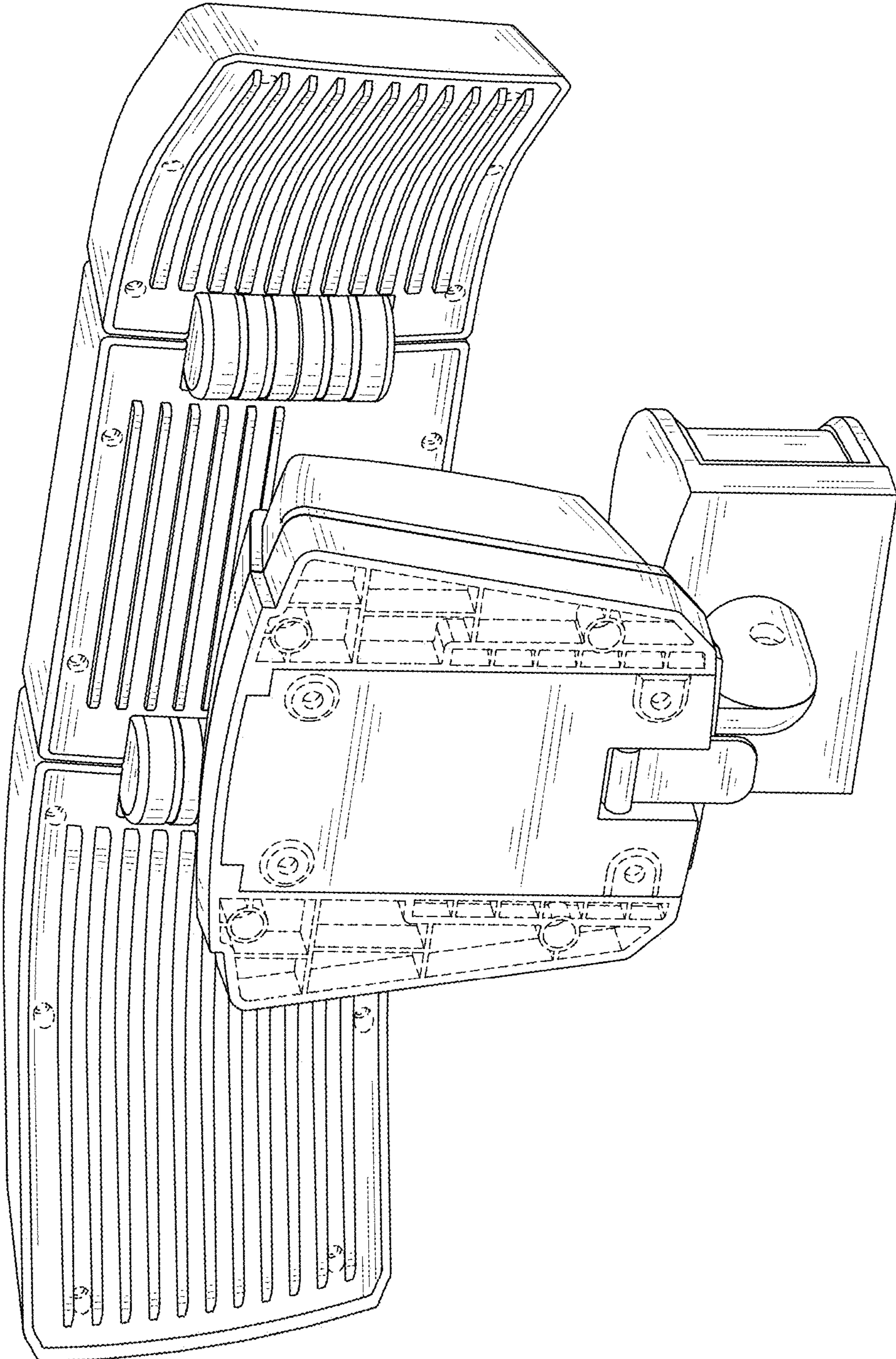


FIG. 2

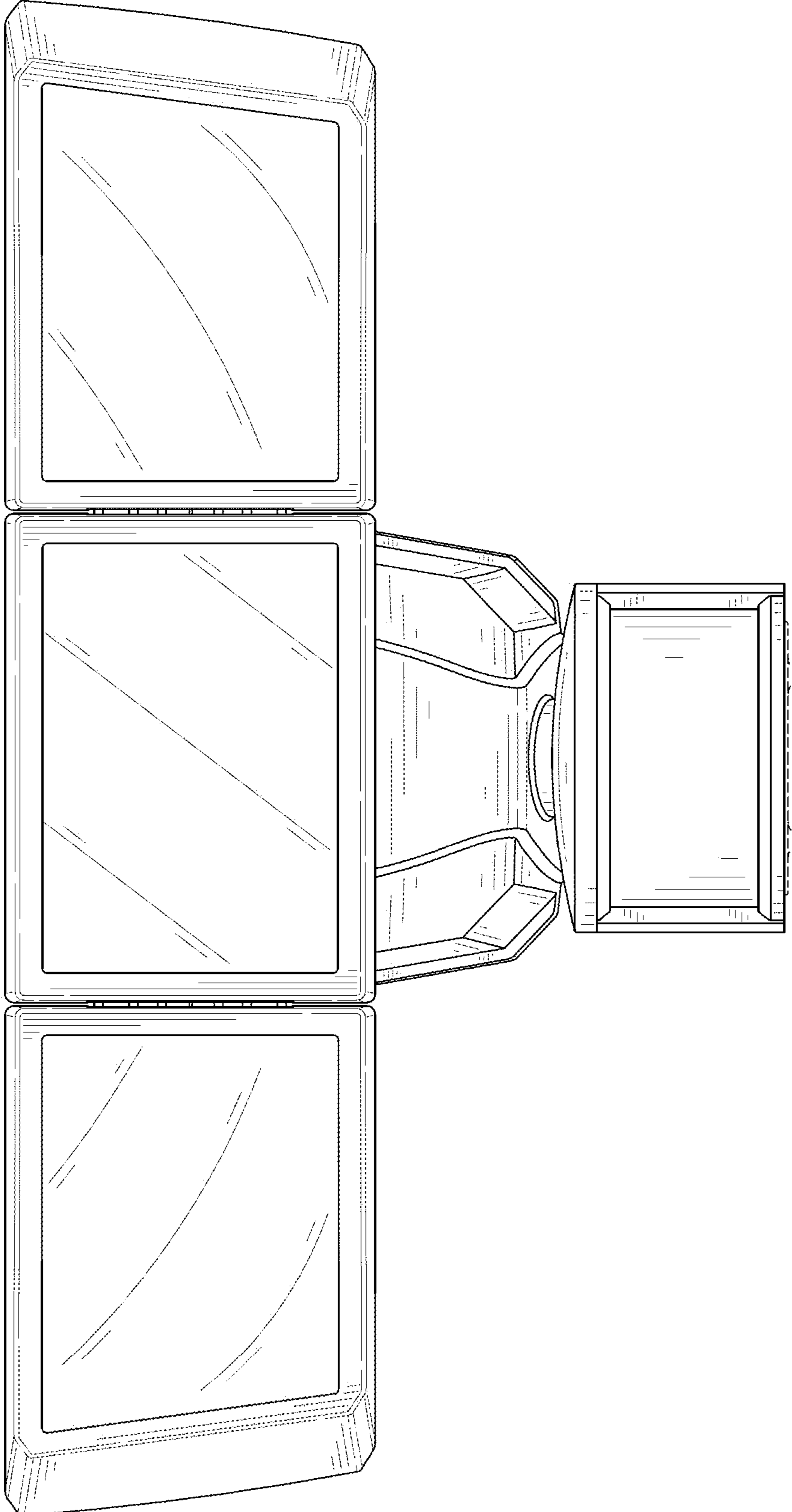


FIG. 3

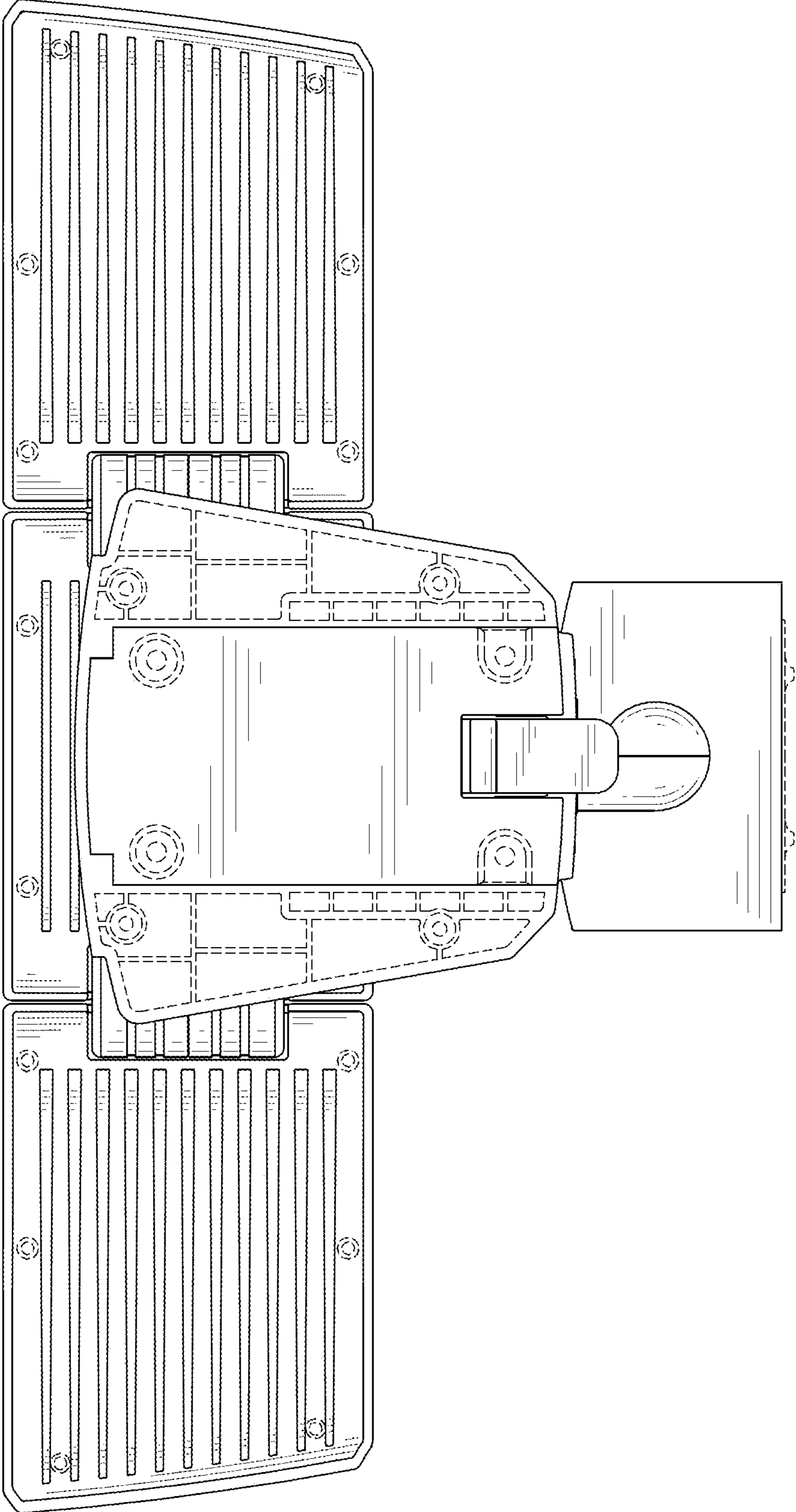


FIG. 4

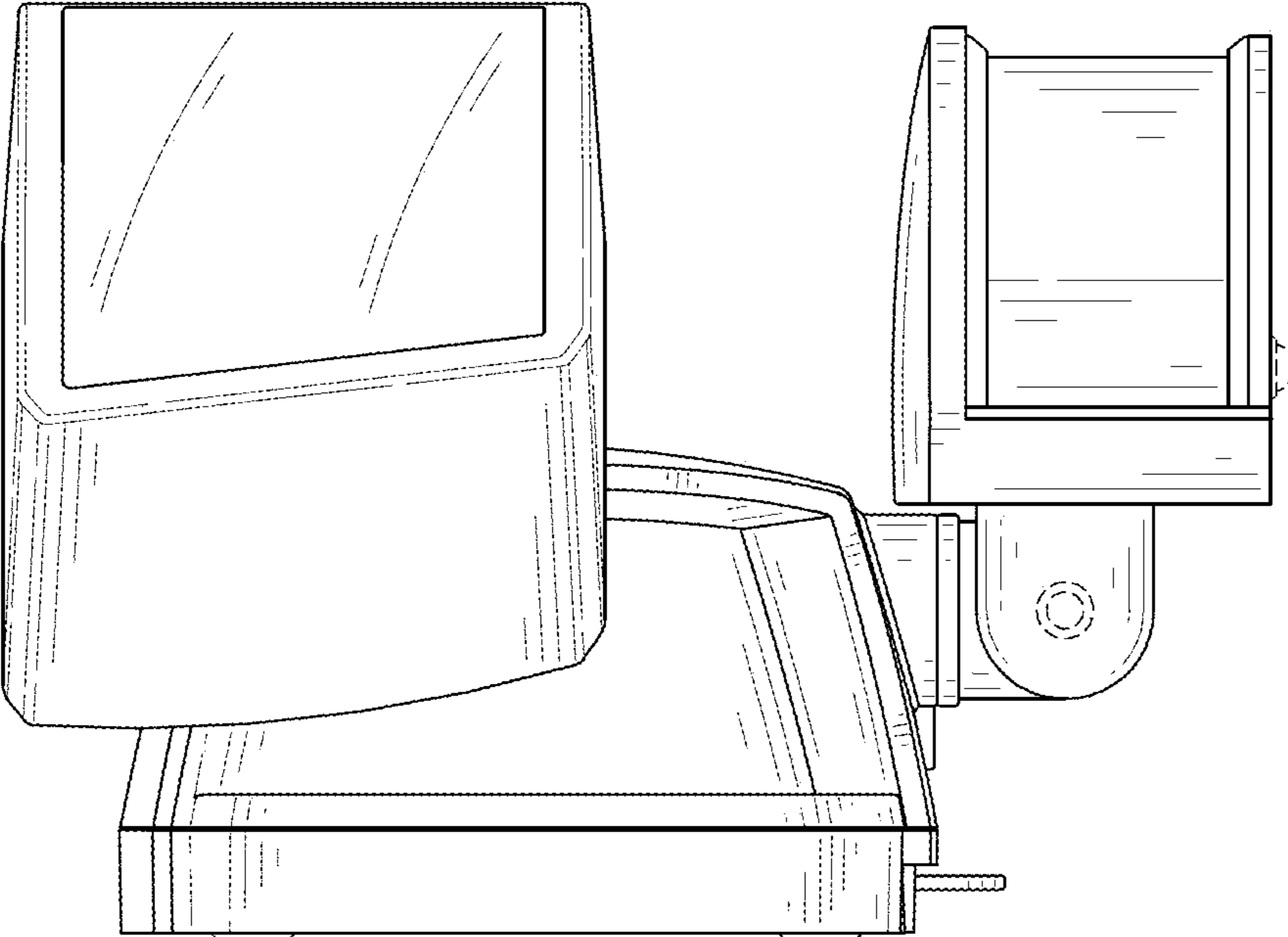


FIG. 5

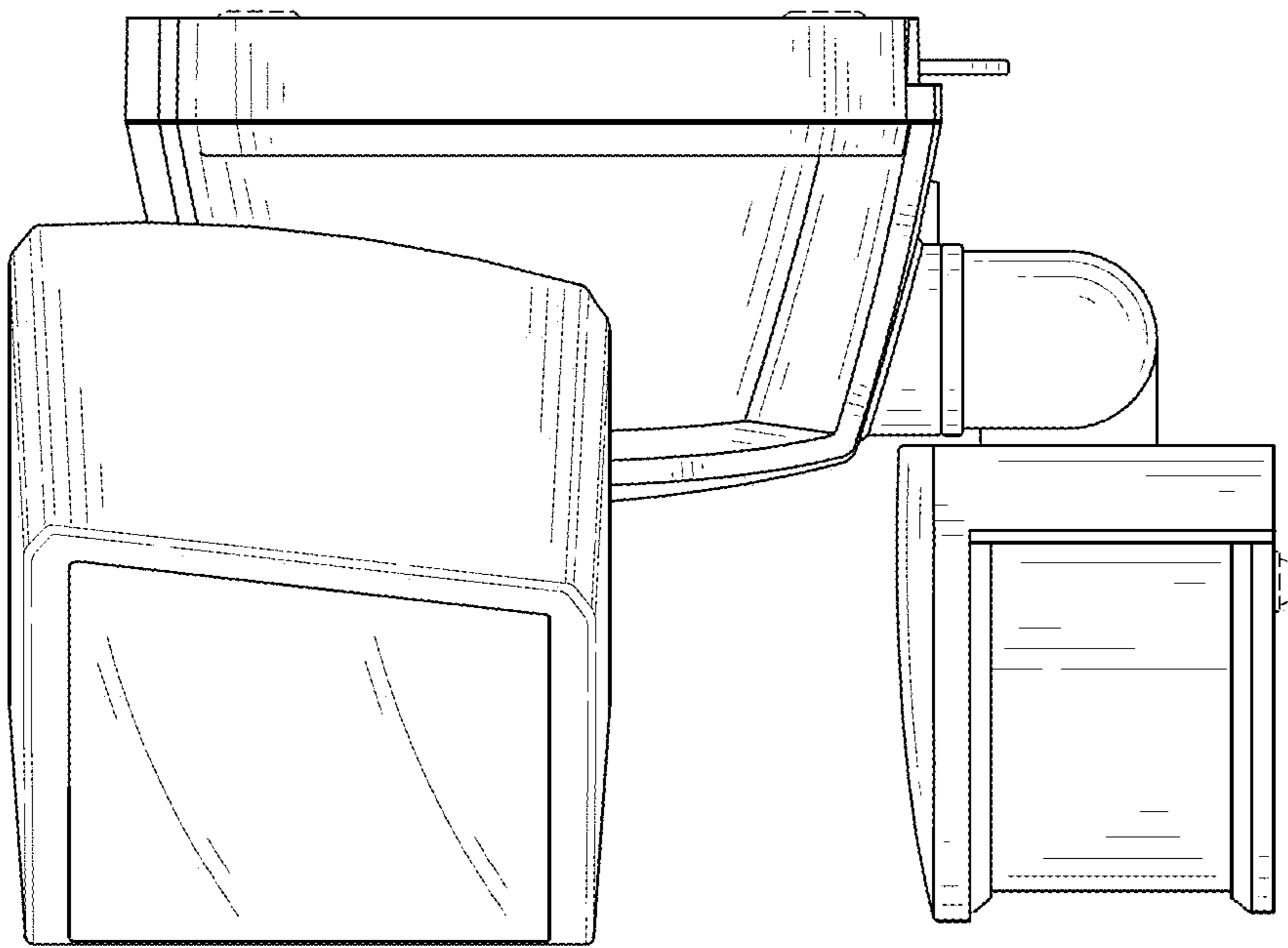


FIG. 6

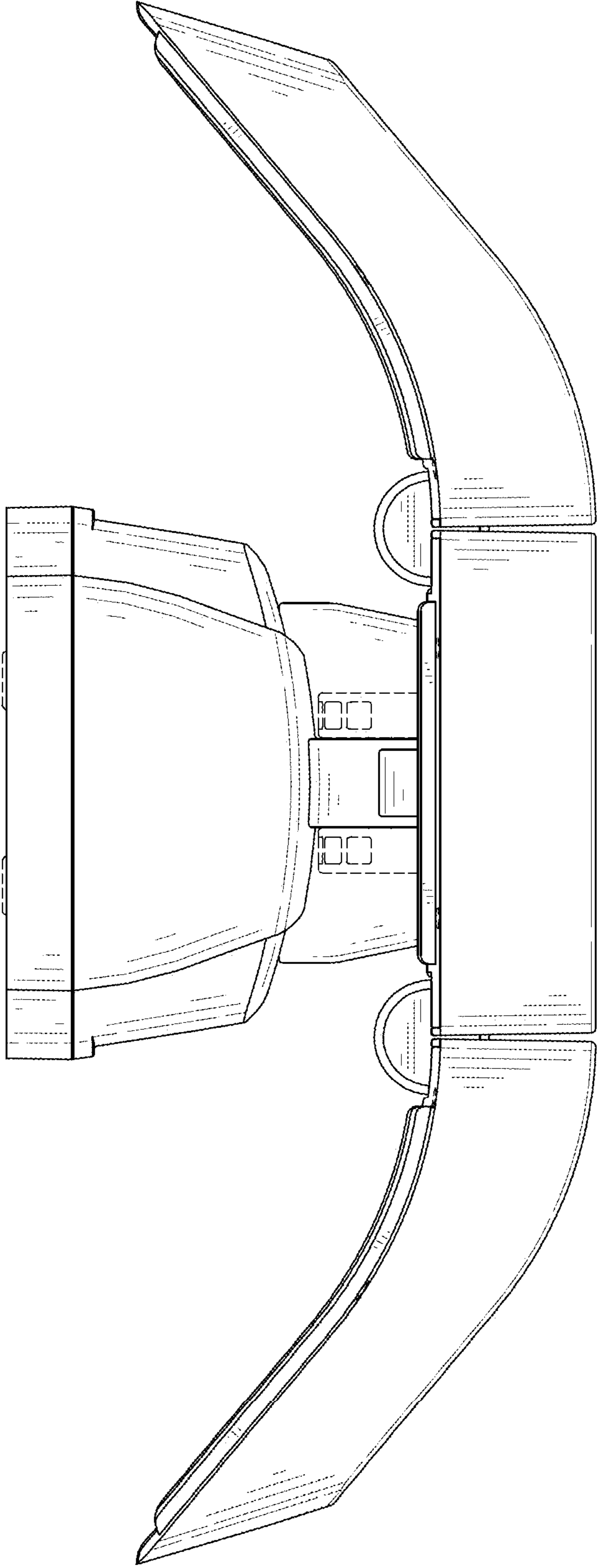


FIG. 7

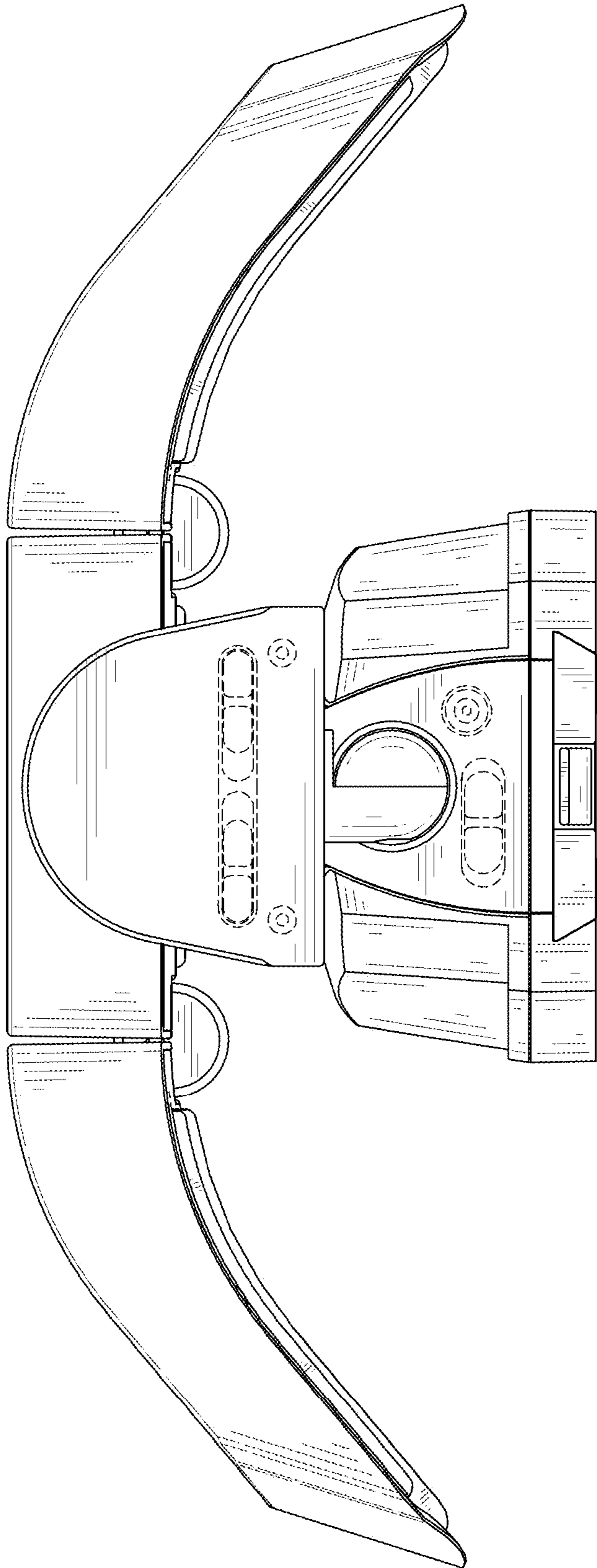


FIG. 8