



US00D866035S

(12) **United States Design Patent**
Tan

(10) **Patent No.:** **US D866,035 S**

(45) **Date of Patent:** **** Nov. 5, 2019**

- (54) **MOTION SENSOR LIGHT**
- (71) Applicant: **Solar Nation PowerTech Enterprises Co., Ltd.**, Guangzhou, Guangdong Province (CN)
- (72) Inventor: **Bo Tan**, Guangzhou (CN)
- (73) Assignee: **Solar Nation PowerTech Enterprises**, Guangzhou (CN)

D361,149 S *	8/1995	Wedell	D26/63
5,649,761 A *	7/1997	Sandell	F21V 17/02 362/276
D441,113 S *	4/2001	Small	D26/63
D713,579 S *	9/2014	Chen	D26/63
D713,581 S *	9/2014	Chen	D26/63
D713,582 S *	9/2014	Liang	D26/63
D742,053 S *	10/2015	Sussman	D26/63
D745,201 S *	12/2015	Lee	D26/63
D765,901 S *	9/2016	Chen	D26/63
D774,231 S *	12/2016	Recker	D26/63

* cited by examiner

(**) Term: **15 Years**

Primary Examiner — Brian N. Vinson

(21) Appl. No.: **29/655,872**

(74) *Attorney, Agent, or Firm* — Leason Ellis LLP

(22) Filed: **Jul. 9, 2018**

(51) **LOC (12) Cl.** **26-03**

(52) **U.S. Cl.**
USPC **D26/63**

(58) **Field of Classification Search**
USPC D26/24, 51, 61, 63, 65, 72, 80
CPC F21S 8/04; F21S 8/00; F21V 21/00; F21V 17/02; F21V 14/02; F21V 21/30; F21V 21/14; F21V 21/26; F21W 2131/10
See application file for complete search history.

(57) **CLAIM**

The ornamental design of a motion sensor light, substantially as shown and described.

DESCRIPTION

FIG. 1 is a top perspective view of a motion sensor light in accordance with the present invention;
FIG. 2 is a bottom perspective view of the motion sensor light in FIG. 1;
FIG. 3 is a top side view thereof;
FIG. 4 is bottom side view thereof;
FIG. 5 is left side view thereof;
FIG. 6 is right side view thereof;
FIG. 7 is a rear side view thereof; and,
FIG. 8 is a front side view thereof.

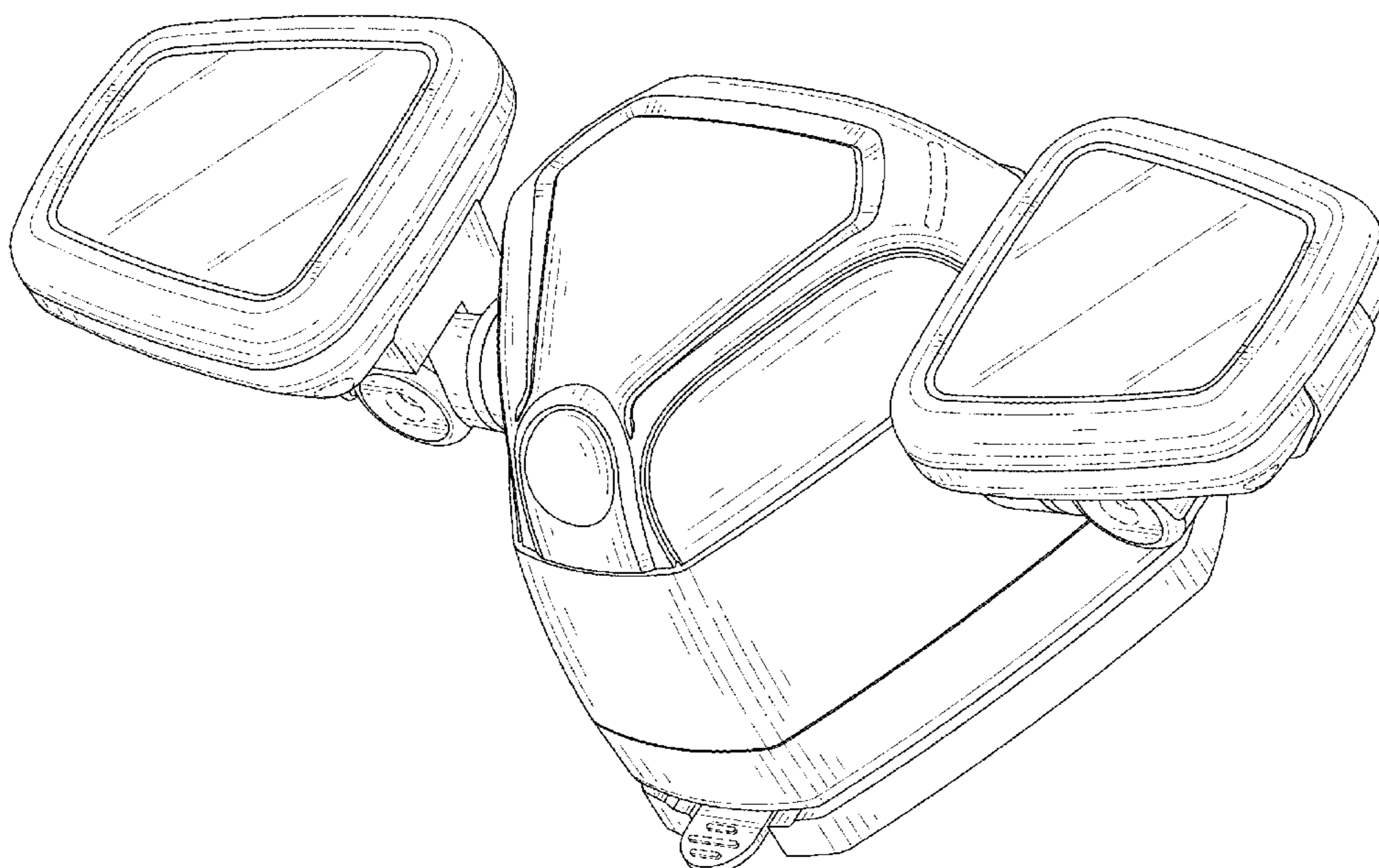
The broken lines in the drawings represent portions of the motion sensor light that form no part of the claimed design.

(56) **References Cited**

U.S. PATENT DOCUMENTS

5,258,899 A *	11/1993	Chen	F21V 17/02 362/394
5,381,323 A *	1/1995	Osteen	F21V 17/02 340/567

1 Claim, 8 Drawing Sheets



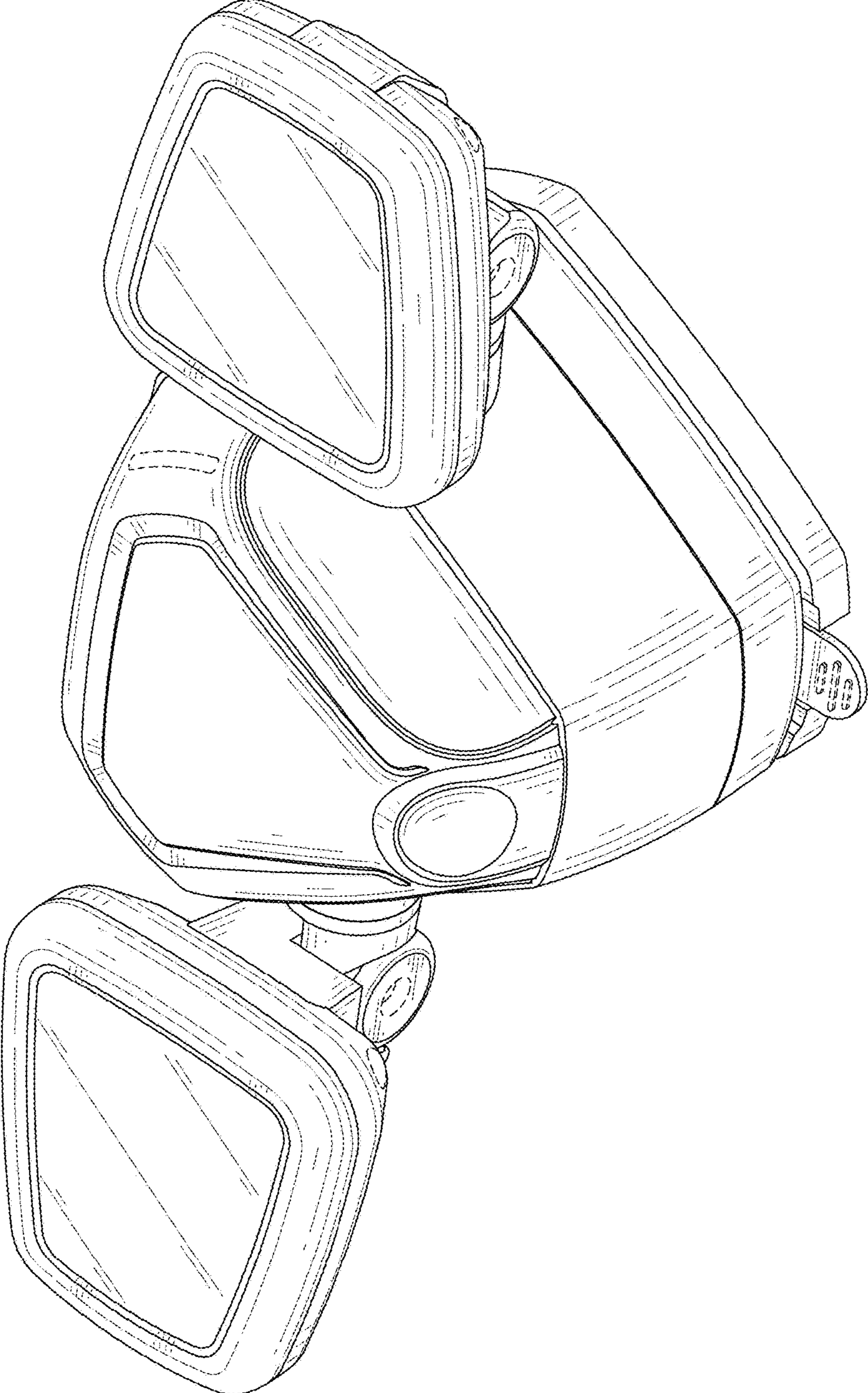


FIG. 1

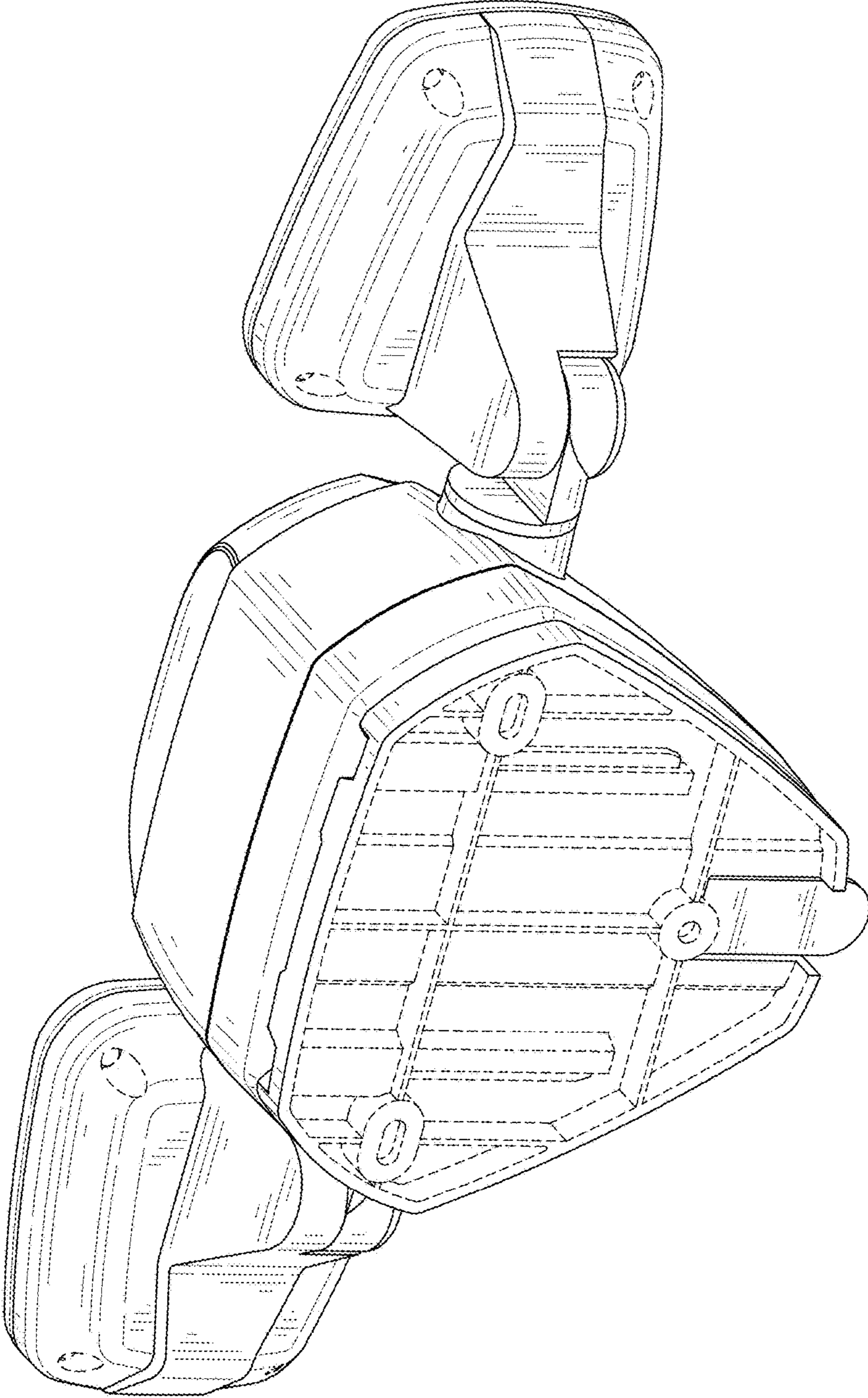


FIG. 2

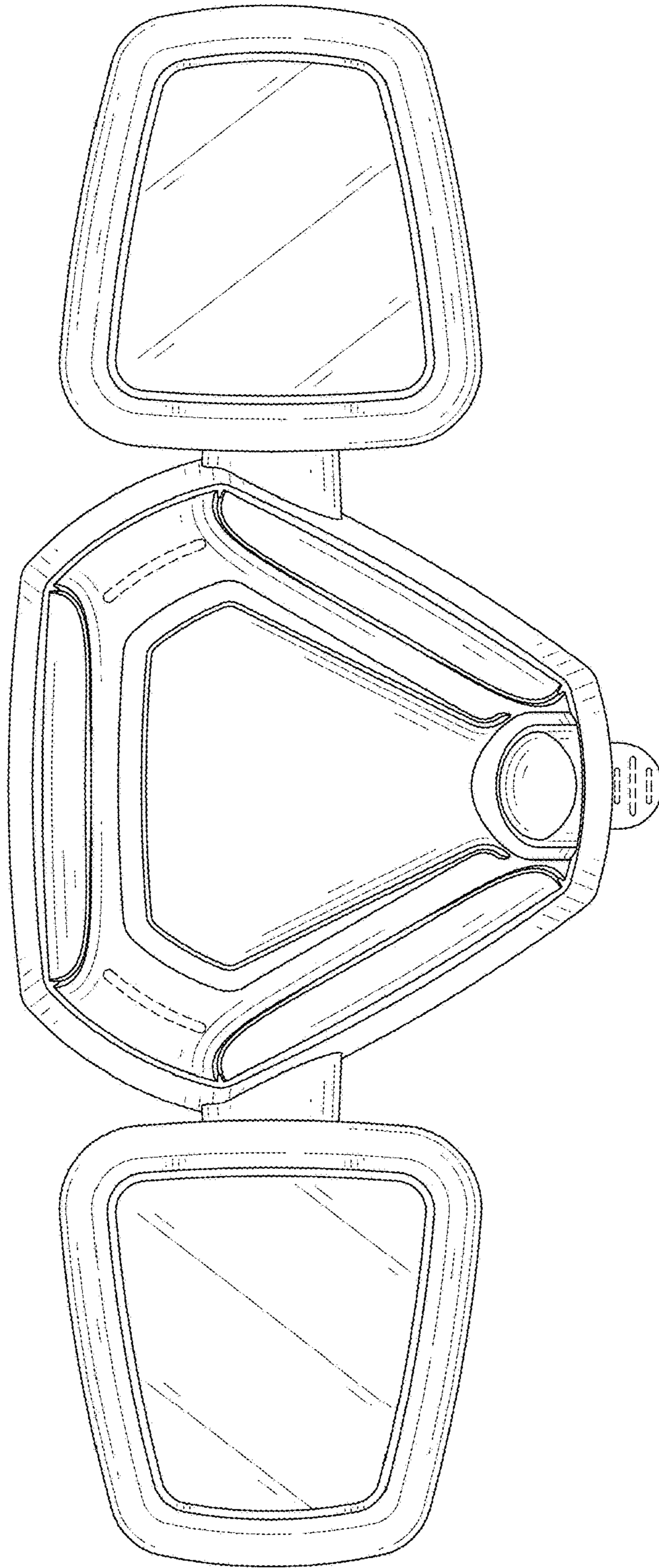


FIG. 3

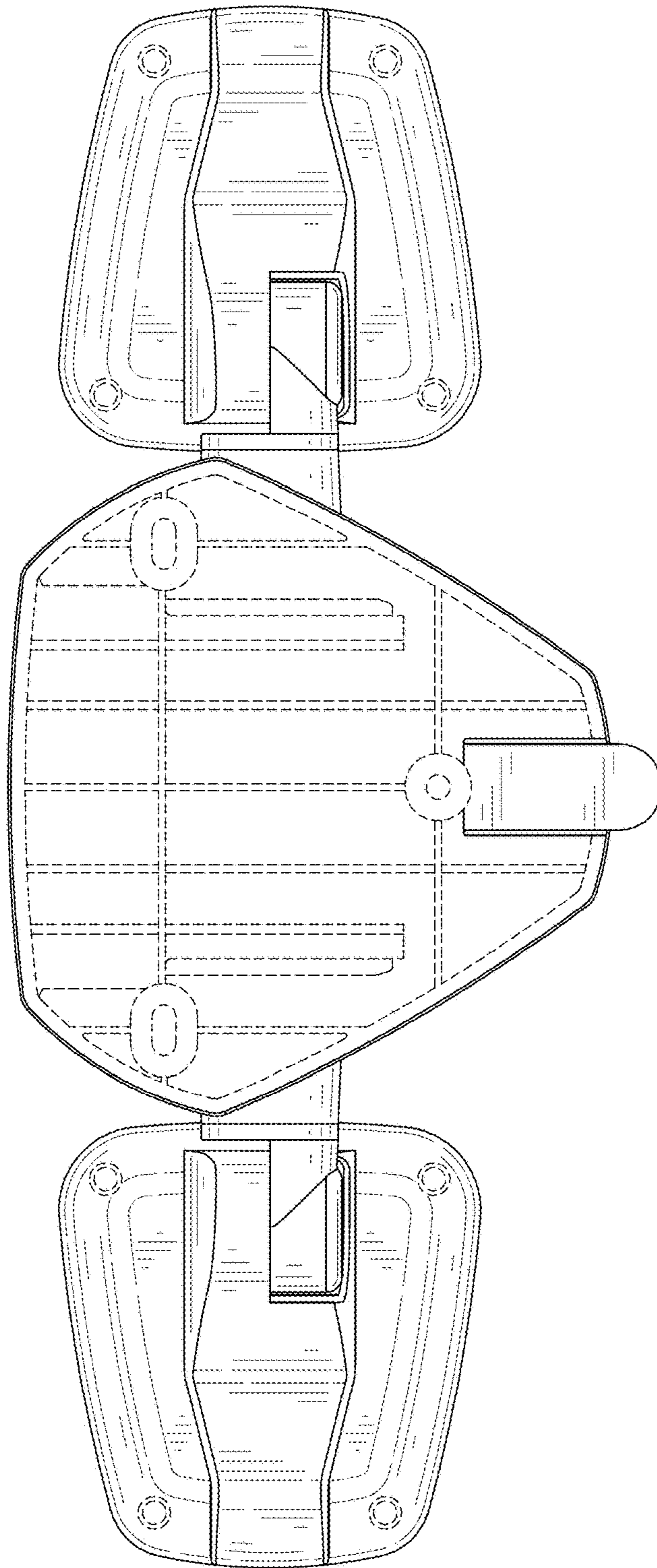


FIG. 4

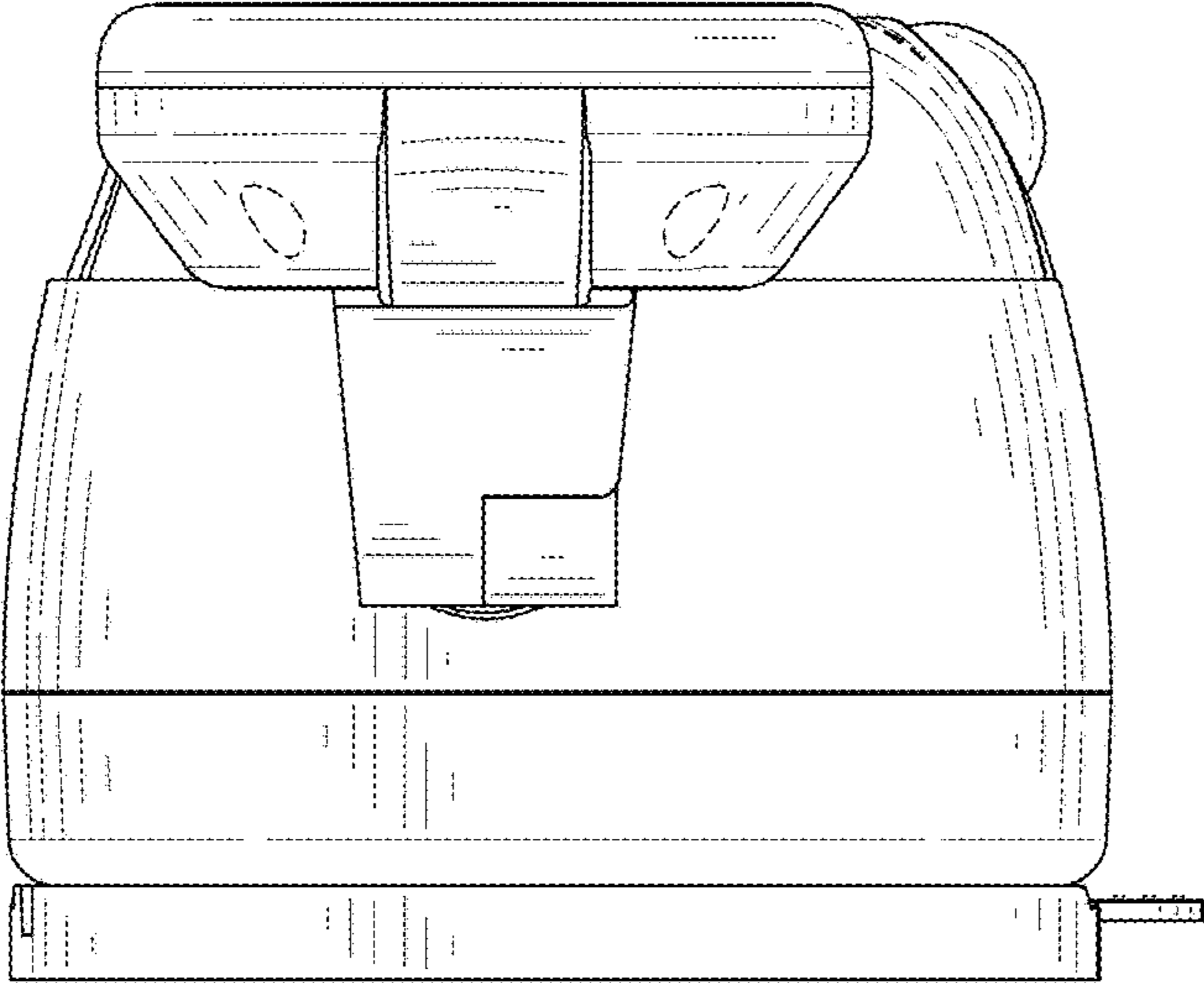


FIG. 5

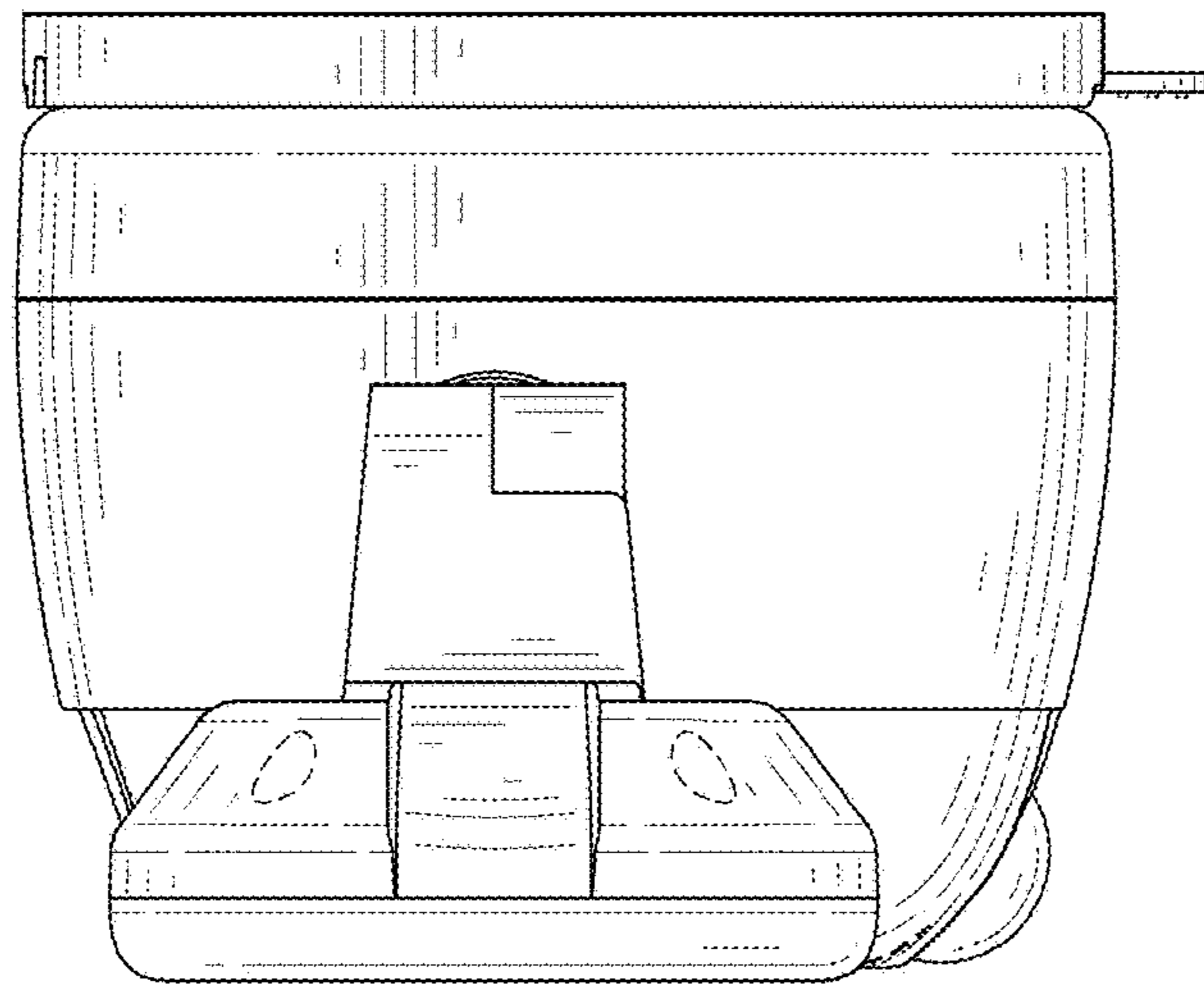


FIG. 6

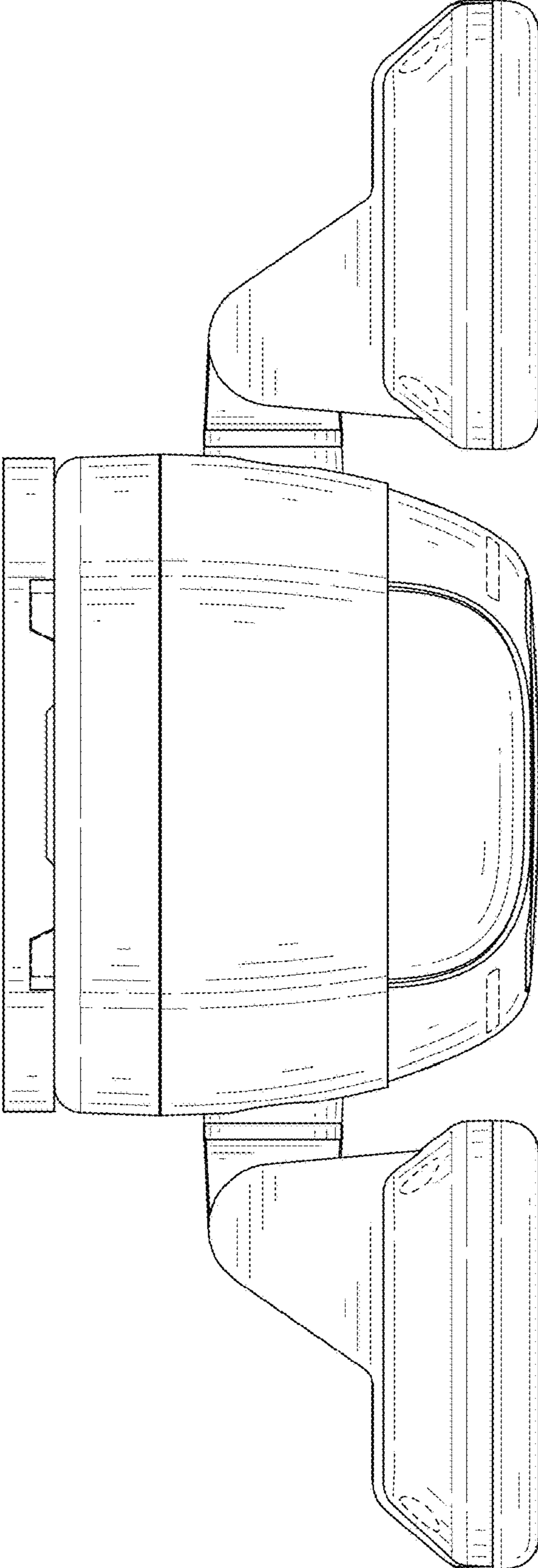


FIG. 7

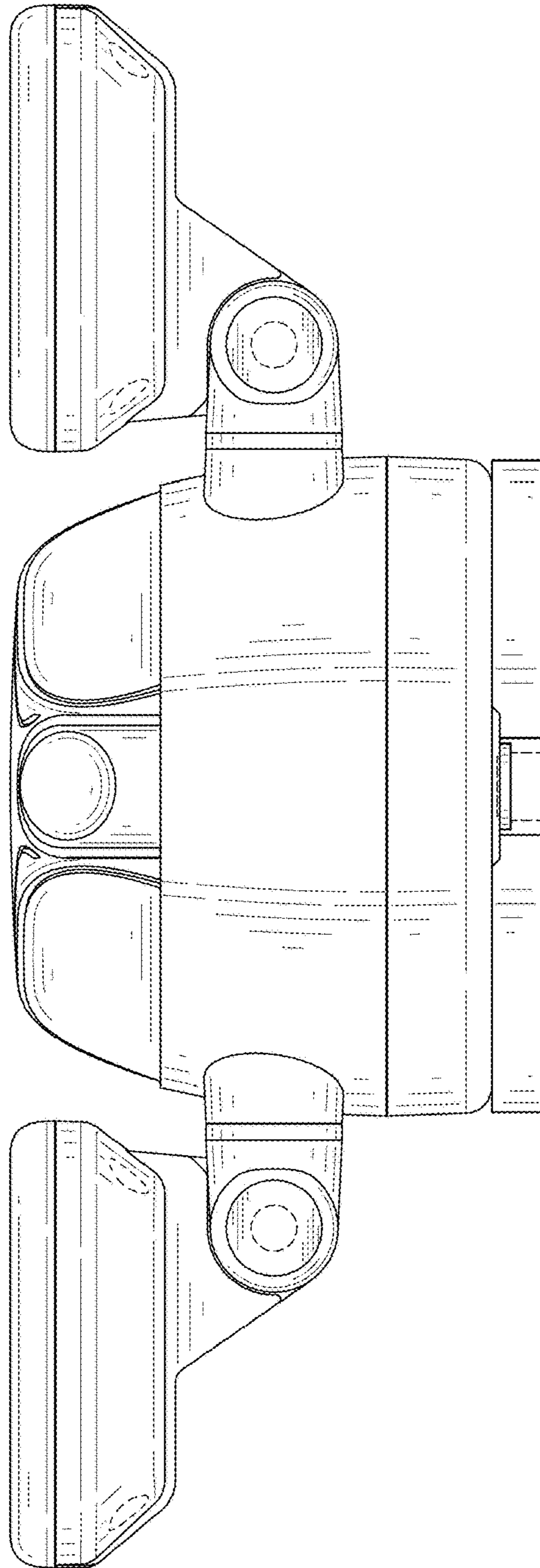


FIG. 8

UNITED STATES PATENT AND TRADEMARK OFFICE
CERTIFICATE OF CORRECTION

PATENT NO. : D866,035 S
APPLICATION NO. : 29/655872
DATED : November 5, 2019
INVENTOR(S) : Bo Tan

Page 1 of 1

It is certified that error appears in the above-identified patent and that said Letters Patent is hereby corrected as shown below:

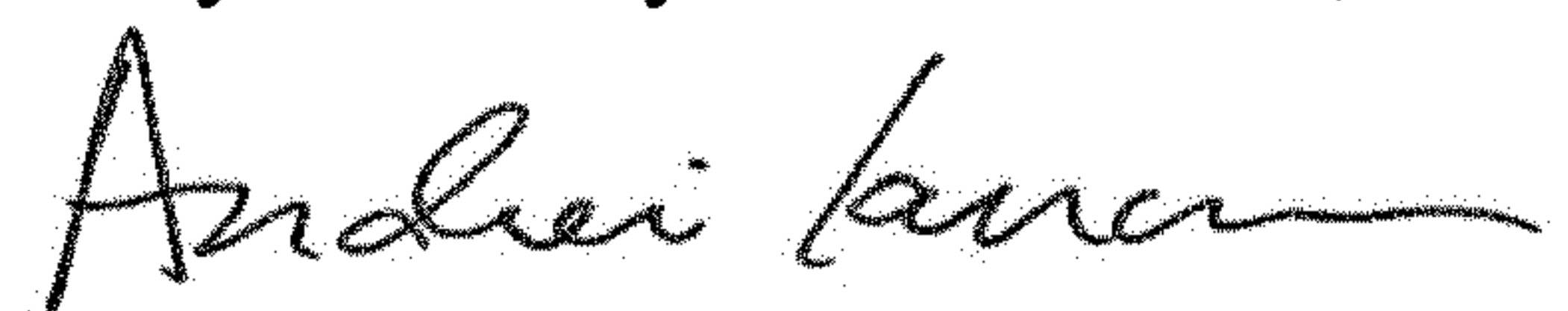
On the Title Page

Item (73) Assignee:

Change “(73) Assignee: Solar Nation PowerTech Enterprises, Guangzhou (CN)”

To --(73) Assignee: Solar Nation PowerTech Enterprises Co., Ltd., Guangzhou (CN)--.

Signed and Sealed this
Thirty-first Day of December, 2019



Andrei Iancu
Director of the United States Patent and Trademark Office