

US00D866034S

(12) **United States Design Patent**  
**Fujisawa**

(10) **Patent No.:** **US D866,034 S**

(45) **Date of Patent:** **\*\* Nov. 5, 2019**

(54) **SPOT LIGHT**

(71) Applicant: **MINEBEA MITSUMI Inc.**, Nagano (JP)

(72) Inventor: **Shinichi Fujisawa**, Akiruno (JP)

(73) Assignee: **MINEBEA MITSUMI INC.**, Nagano (JP)

(\*\*) Term: **15 Years**

(21) Appl. No.: **29/621,932**

(22) Filed: **Oct. 12, 2017**

(30) **Foreign Application Priority Data**

Apr. 19, 2017 (JP) ..... 2017-008409

(51) **LOC (12) Cl.** ..... **26-03**

(52) **U.S. Cl.**  
USPC ..... **D26/63; D26/141**

(58) **Field of Classification Search**  
USPC ..... D26/1, 24, 61, 63, 65, 67, 85, 92, 113, D26/118, 141

CPC ..... F21V 21/14; F21V 15/01; F21V 14/02; F21V 21/30; F21V 21/00; F21V 14/00; F21S 8/00; F21S 8/003; F21S 8/043; F21Y 2105/001

See application file for complete search history.

(56) **References Cited**

**U.S. PATENT DOCUMENTS**

D287,413 S \* 12/1986 Kusmer ..... D26/65  
D417,300 S \* 11/1999 Stacy ..... D26/63

D448,506 S \* 9/2001 Miller ..... D26/63  
D578,694 S \* 10/2008 Zeng ..... D26/67  
7,762,688 B2 \* 7/2010 Dixon ..... F21V 21/30  
362/287  
D671,252 S \* 11/2012 You ..... D26/63  
D780,357 S \* 2/2017 Kliegl ..... D26/63  
D800,363 S \* 10/2017 Terumichi ..... D26/63  
D806,303 S \* 12/2017 Matsui ..... D26/65  
D806,925 S \* 1/2018 Hirano ..... D26/65  
D821,624 S \* 6/2018 Huyghe ..... D26/63  
D822,252 S \* 7/2018 Obeso ..... D26/63  
D835,319 S \* 12/2018 Luke ..... D26/63

\* cited by examiner

*Primary Examiner* — Brian N. Vinson

(74) *Attorney, Agent, or Firm* — Pearne & Gordon LLP

(57) **CLAIM**

The ornamental design for a spot light, as shown and described.

**DESCRIPTION**

FIG. 1 is a right-side perspective view of a spot light showing my new design;  
FIG. 2 is a left-side perspective view thereof;  
FIG. 3 is a front elevational view thereof;  
FIG. 4 is a rear elevational view thereof;  
FIG. 5 is a right-side elevational view thereof;  
FIG. 6 is a left-side elevational view thereof;  
FIG. 7 is a top plan view thereof; and,  
FIG. 8 is a bottom plan view thereof.

The broken lines shown in the drawings depict portions of the spot light that form no part of the claimed design.

**1 Claim, 8 Drawing Sheets**

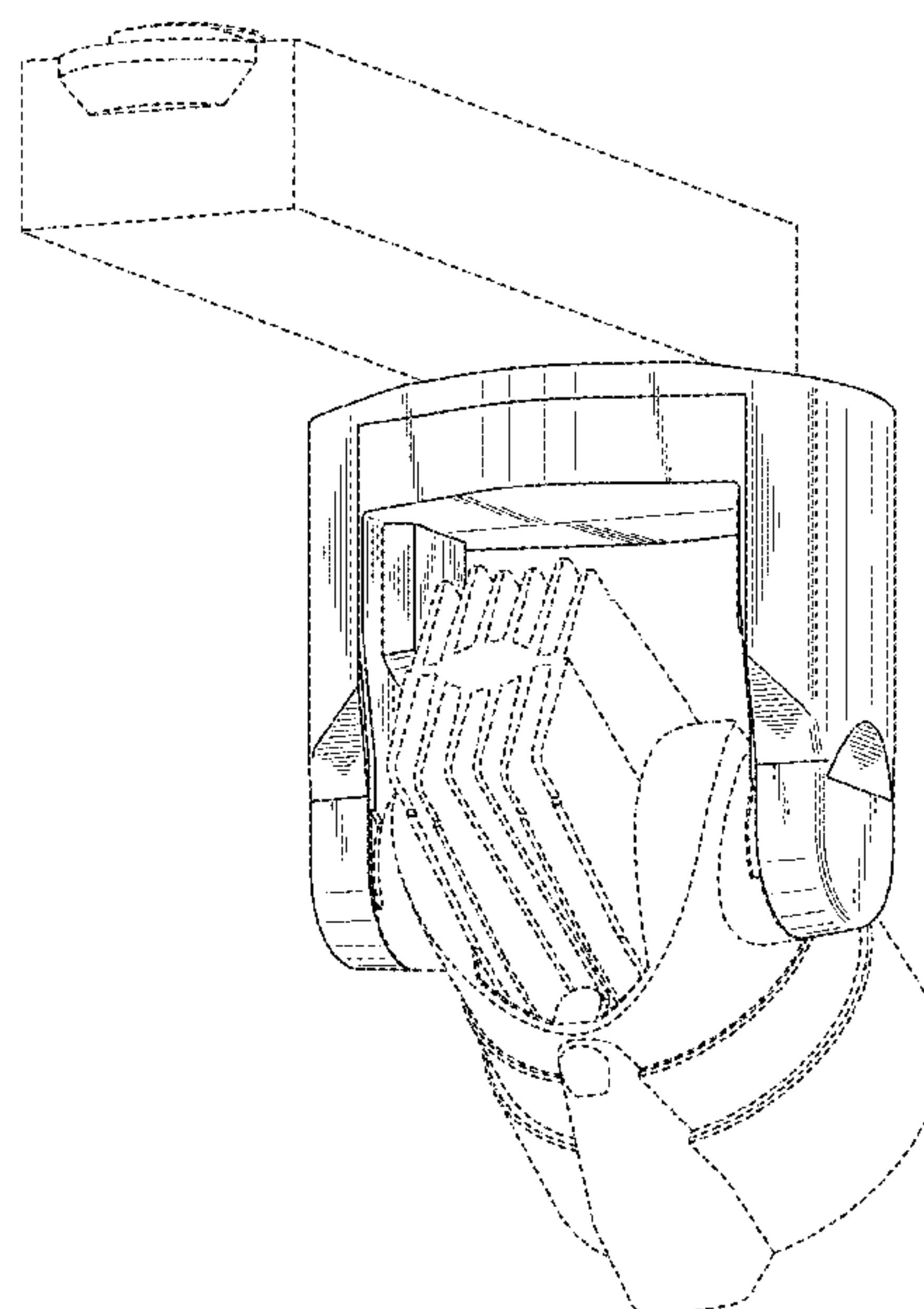
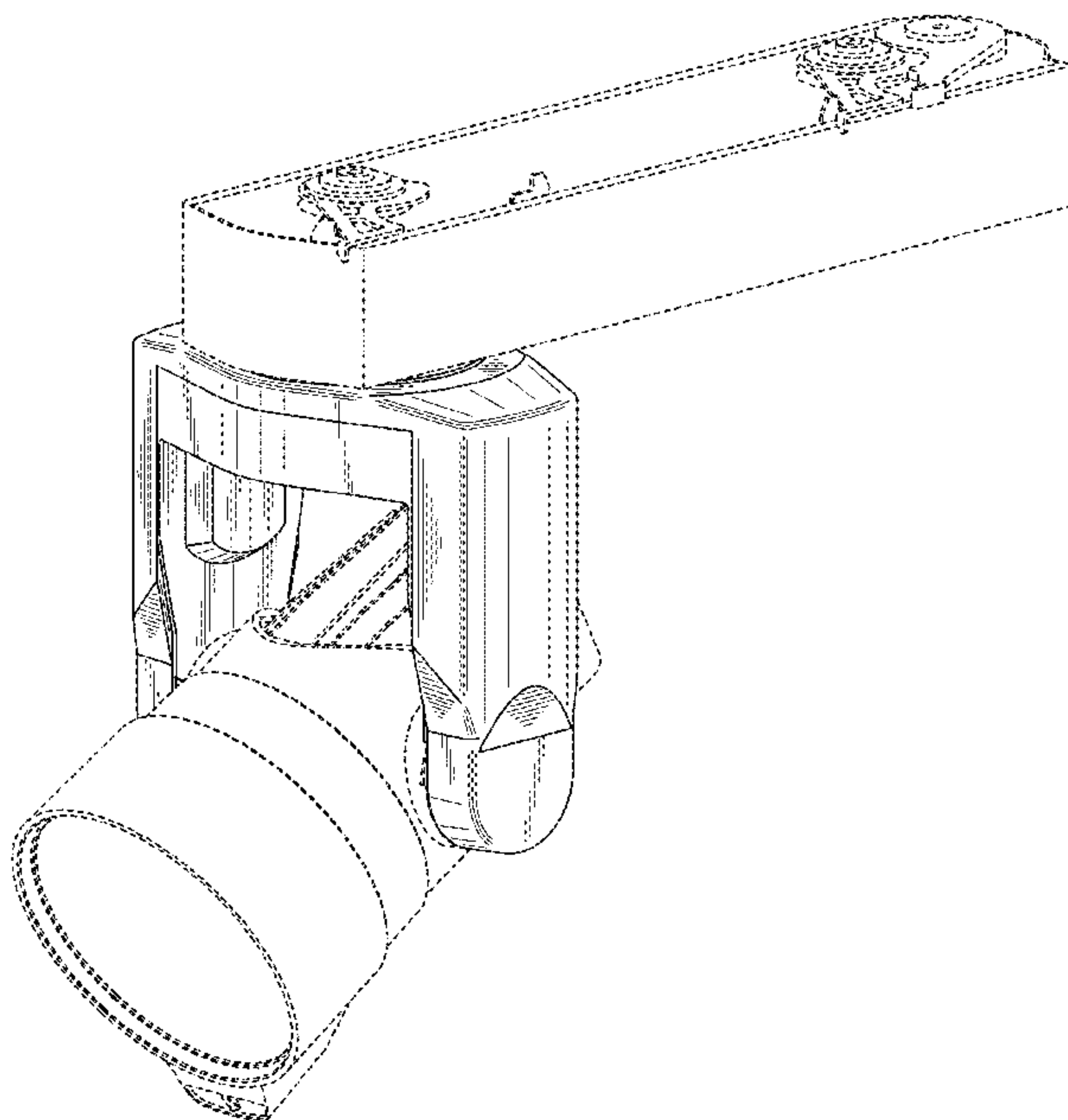


FIG. 1

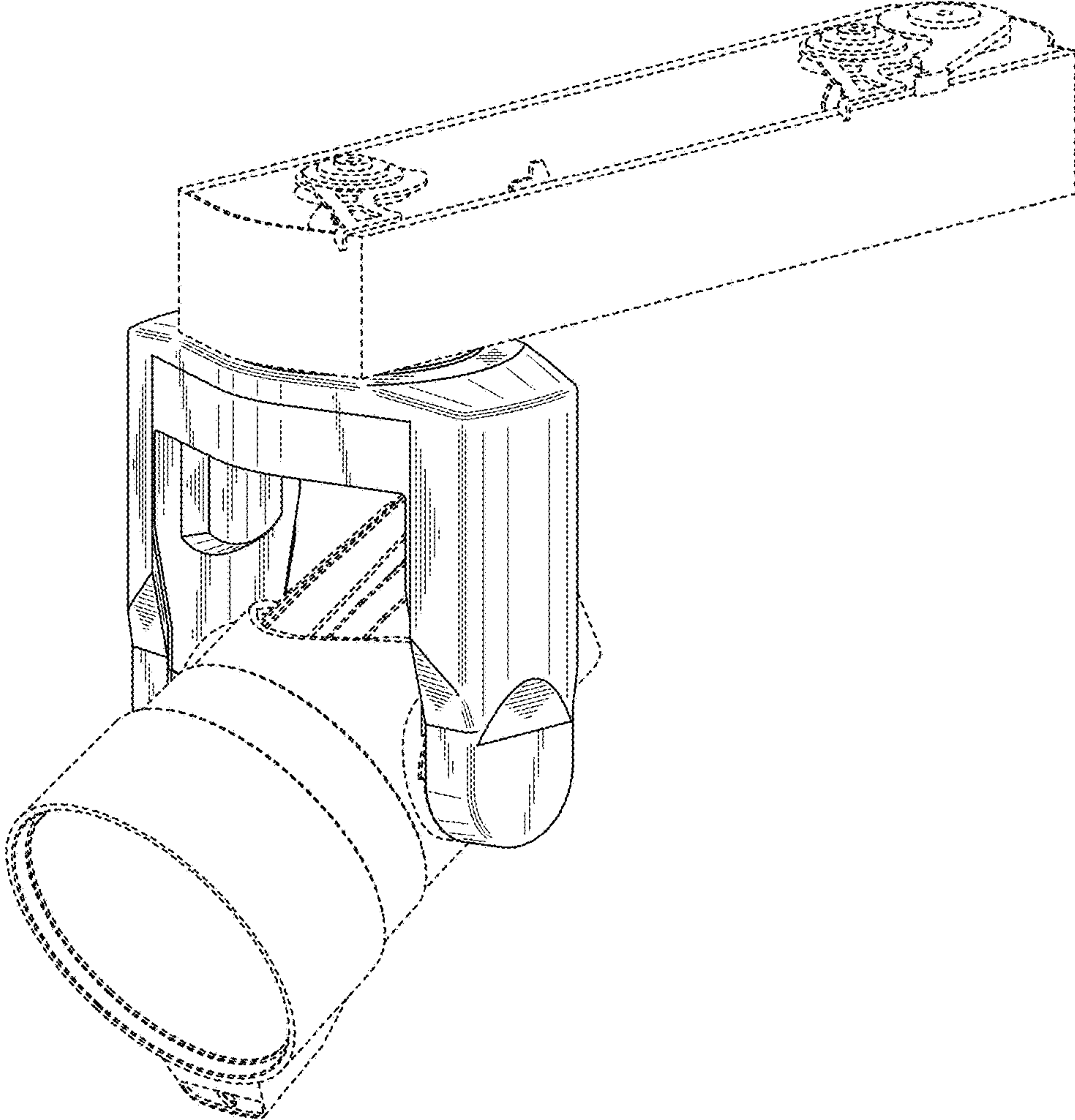


FIG. 2

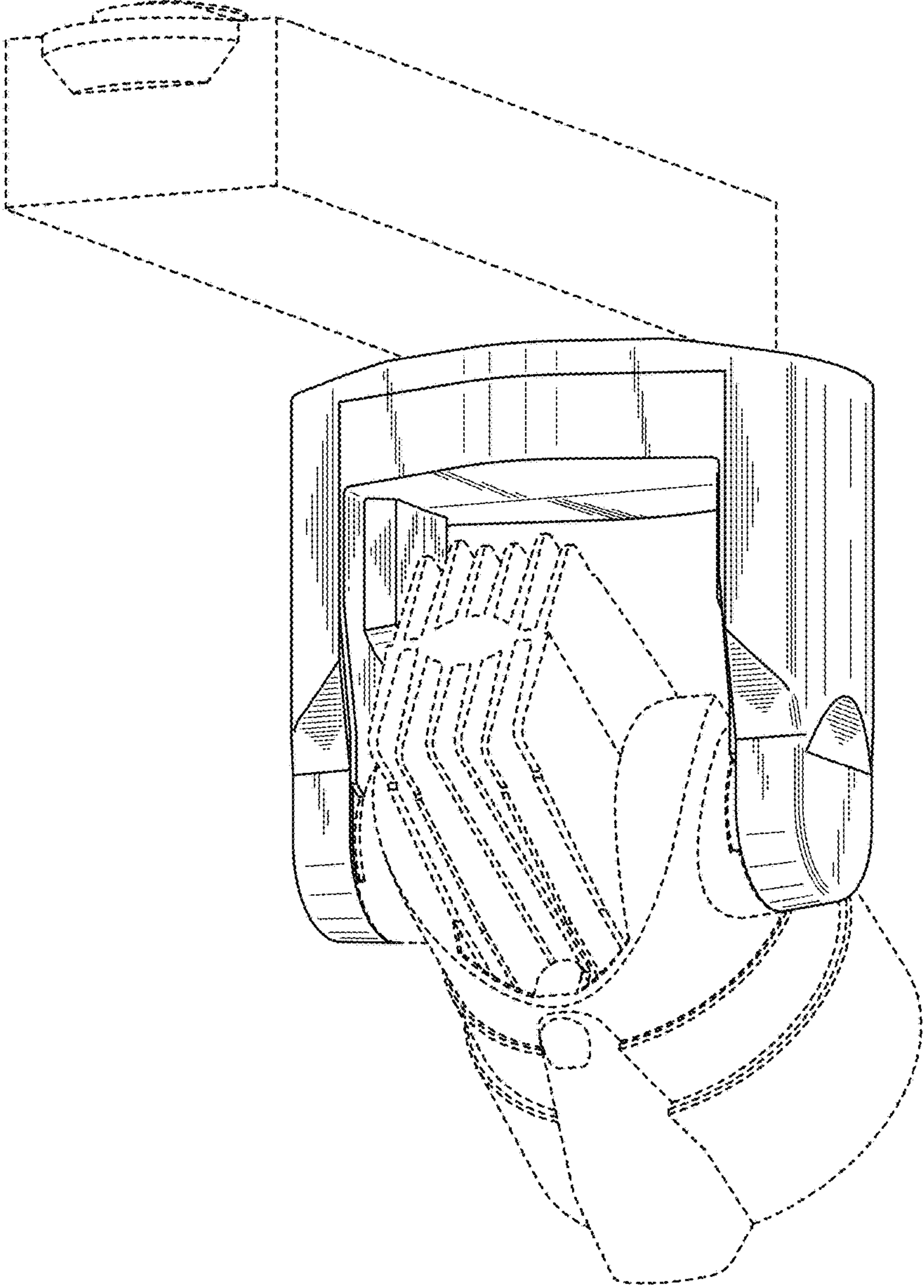
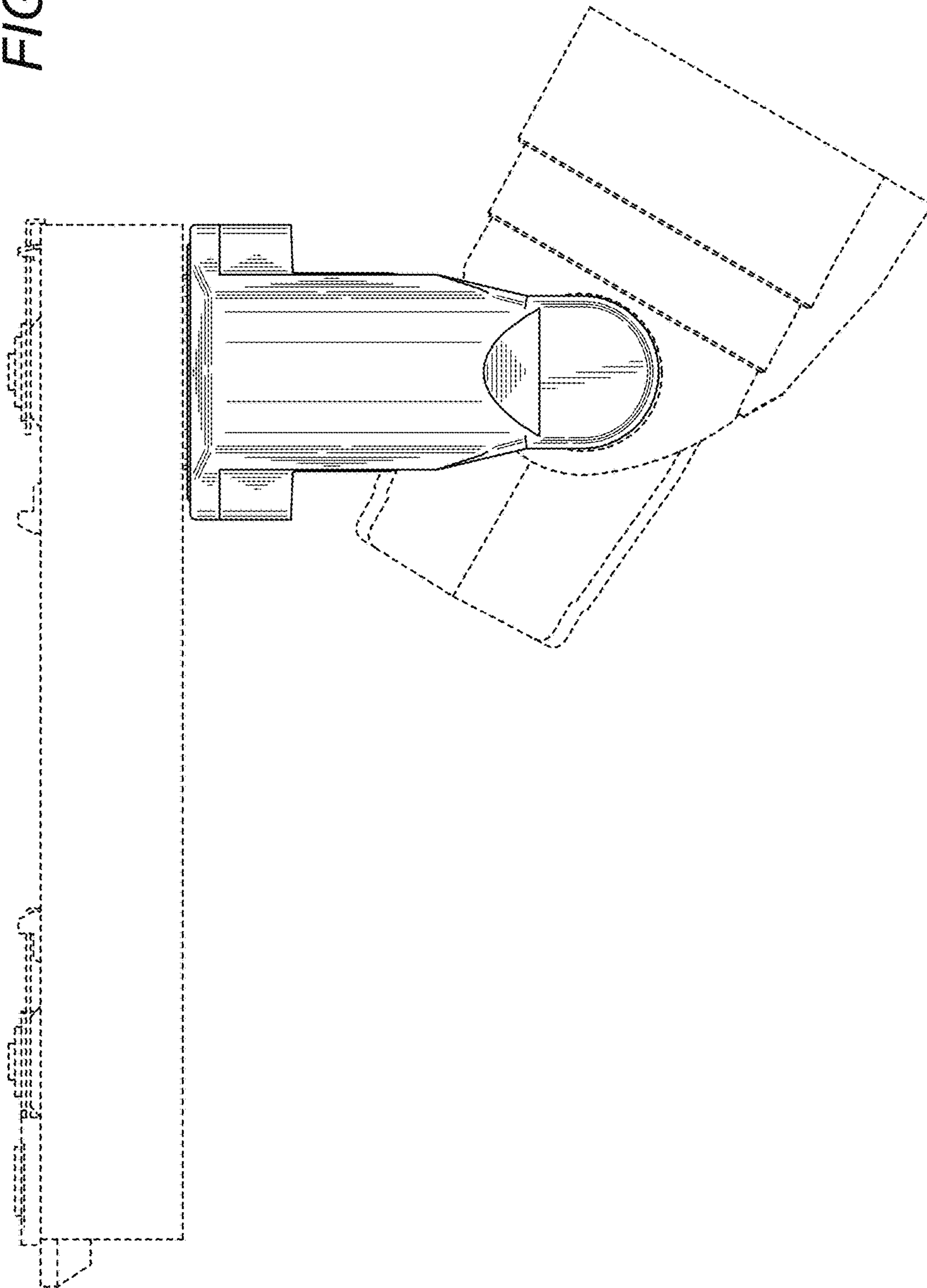


FIG. 3





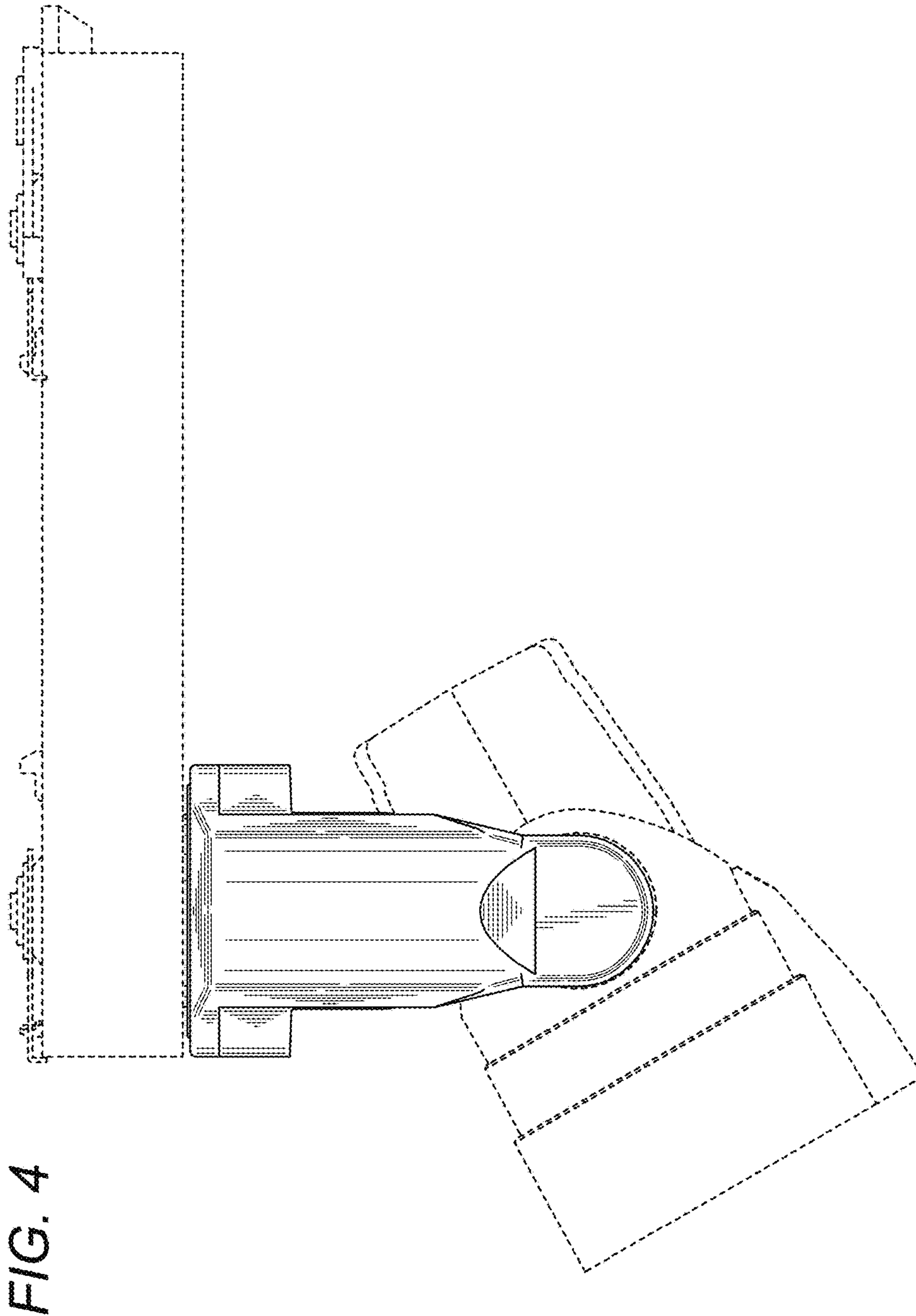
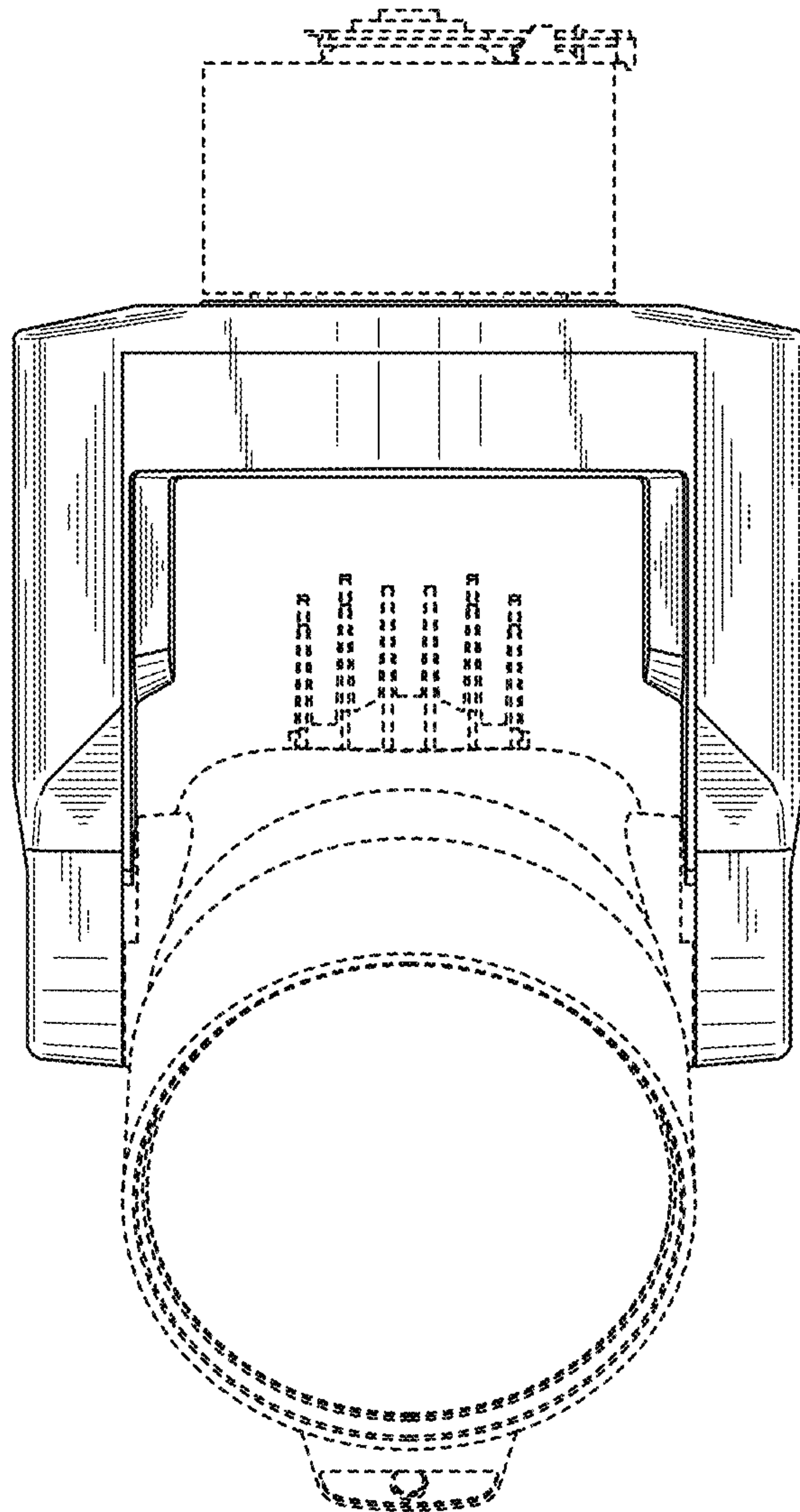


FIG. 5



*FIG. 6*

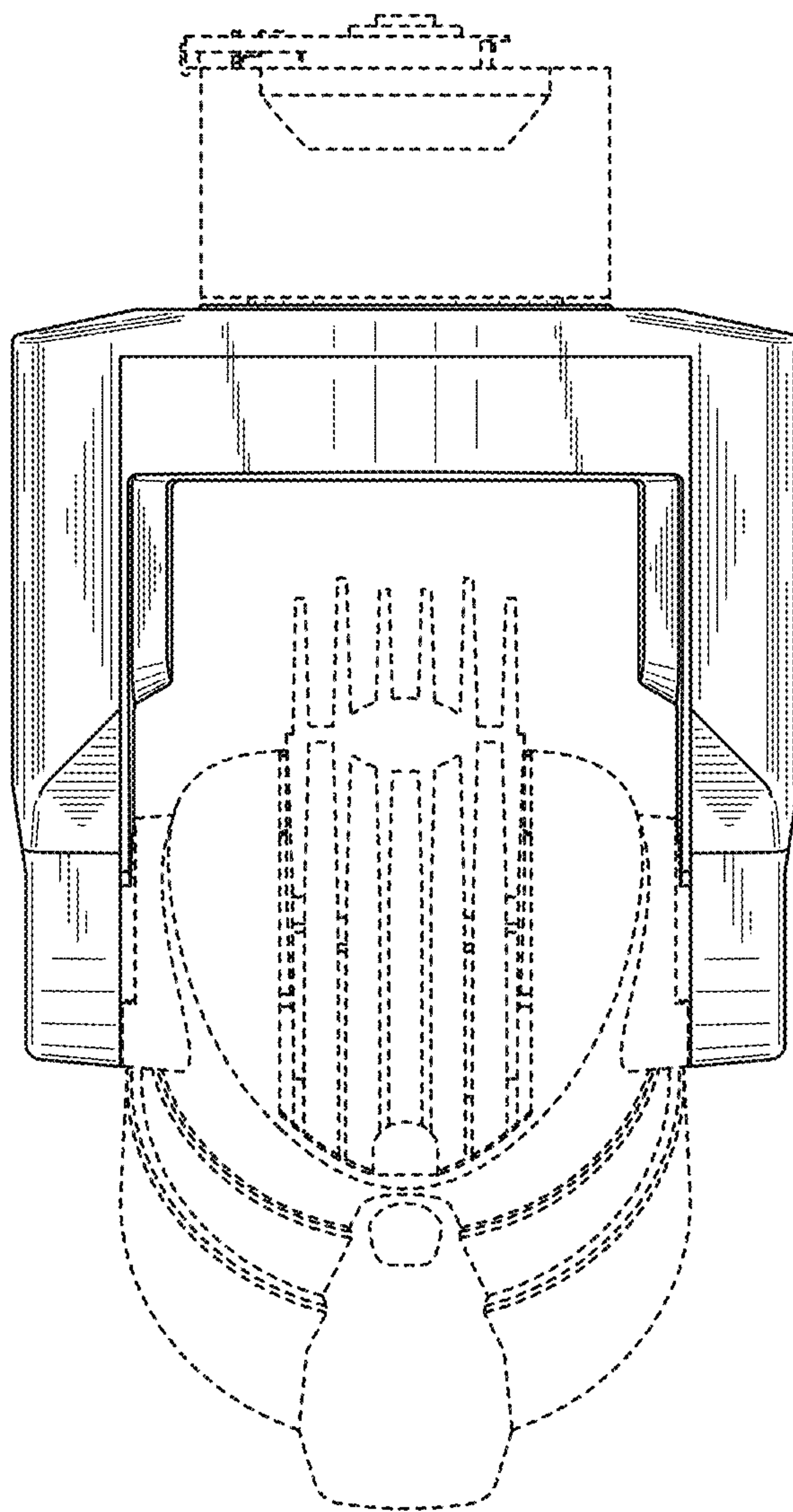
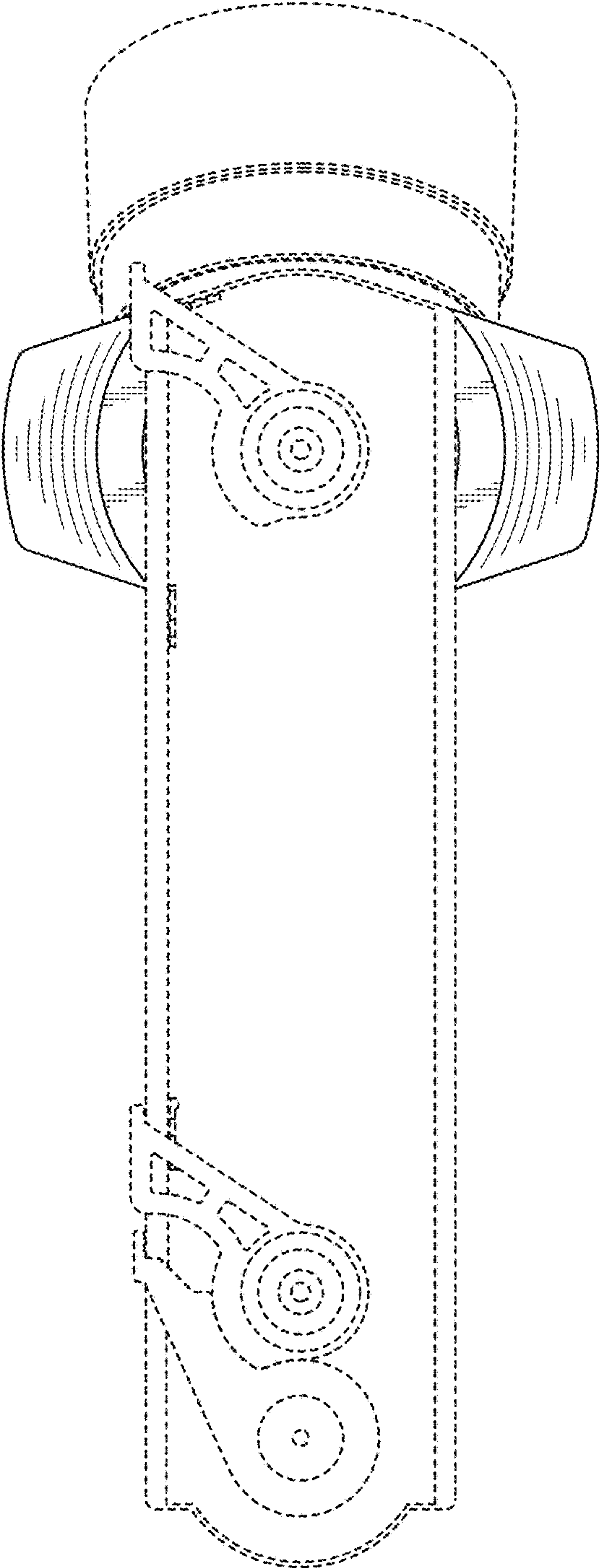


FIG. 7





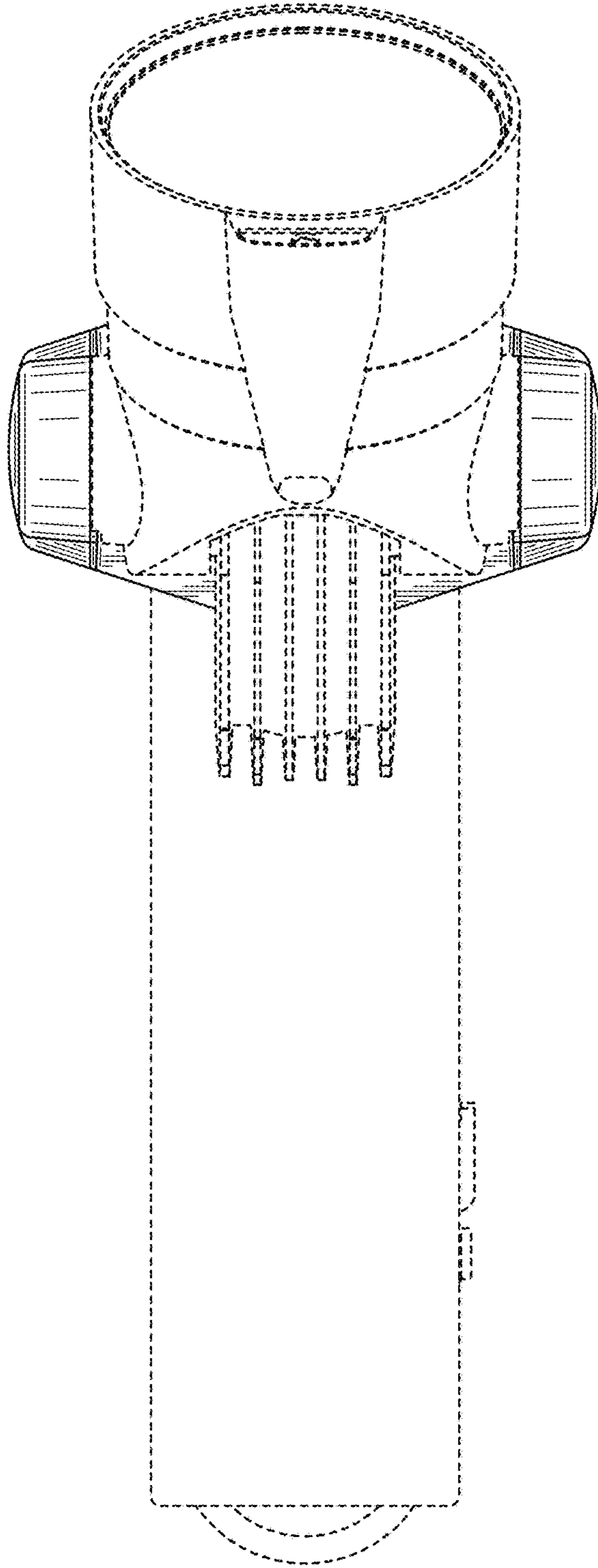


FIG. 8