

US00D866032S

(12) **United States Design Patent** (10) **Patent No.:** **US D866,032 S**
Griffin (45) **Date of Patent:** **** Nov. 5, 2019**

(54) **COMBINATION ILLUMINATION DEVICE AND POWER SYSTEM**

(71) Applicant: **Charge Ahead LLC**, Florence, MA (US)

(72) Inventor: **Anne Marie Griffin**, Florence, MA (US)

(73) Assignee: **CHARGE AHEAD LLC**, Florence, MA (US)

(**) Term: **15 Years**

(21) Appl. No.: **29/647,067**

(22) Filed: **May 9, 2018**

Related U.S. Application Data

(63) Continuation-in-part of application No. 29/562,834, filed on Apr. 29, 2016, now Pat. No. Des. 842,518, which is a continuation-in-part of application No. 29/507,827, filed on Oct. 31, 2014, now abandoned, and a continuation-in-part of application No. 29/507,837, filed on Oct. 31, 2014, now abandoned.

(51) **LOC (12) Cl.** **26-05**

(52) **U.S. Cl.**
USPC **D26/51**

(58) **Field of Classification Search**
USPC D26/37-51; D13/102, 101, 103, 107, D13/108, 199
CPC F21L 2003/00; F21L 4/00; F21L 4/005; F21L 4/02; F21L 4/025; F21L 4/027; F21L 4/04; F21L 4/08; F21L 2005/00; F21L 7/00; F21L 11/00; F21L 13/00; F21L 13/04; F21L 13/08; F21L 14/02; F21L 17/00; F21L 19/00; F21L 25/00; Y02E 10/47; Y02E 10/50; Y02E 10/52; H02S 20/00; F24J 2/5237

See application file for complete search history.

(56) **References Cited**

U.S. PATENT DOCUMENTS

D255,275 S	6/1980	Brown	
D275,523 S	9/1984	Ader	
4,786,851 A	11/1988	Fuji et al.	
D361,143 S	8/1995	Helvey	
5,803,579 A	9/1998	Turnbull et al.	
D425,558 S	5/2000	Tarpenning	
D430,901 S	9/2000	Palmer	
D468,283 S	1/2003	Hong et al.	
D477,432 S *	7/2003	Parsons	D26/37
D490,420 S	5/2004	Solomon	
6,817,735 B2	11/2004	Shimizu et al.	
7,008,078 B2	3/2006	Shimizu et al.	

(Continued)

Primary Examiner — Lakiya G Rogers

Assistant Examiner — Carissa C Fitts

(74) *Attorney, Agent, or Firm* — Gianna J. Arnold; Brian R. Landry; Saul Ewing Arnstein & Lehr LLP

(57) **CLAIM**

The ornamental design of a combination illumination device and power system, as shown and described.

DESCRIPTION

FIG. 1 is a perspective view of the top, front, and right side of a combination illumination device and power system showing an embodiment of the new design.

FIG. 2 is a front view thereof.

FIG. 3 is a back view thereof.

FIG. 4 is a left view thereof.

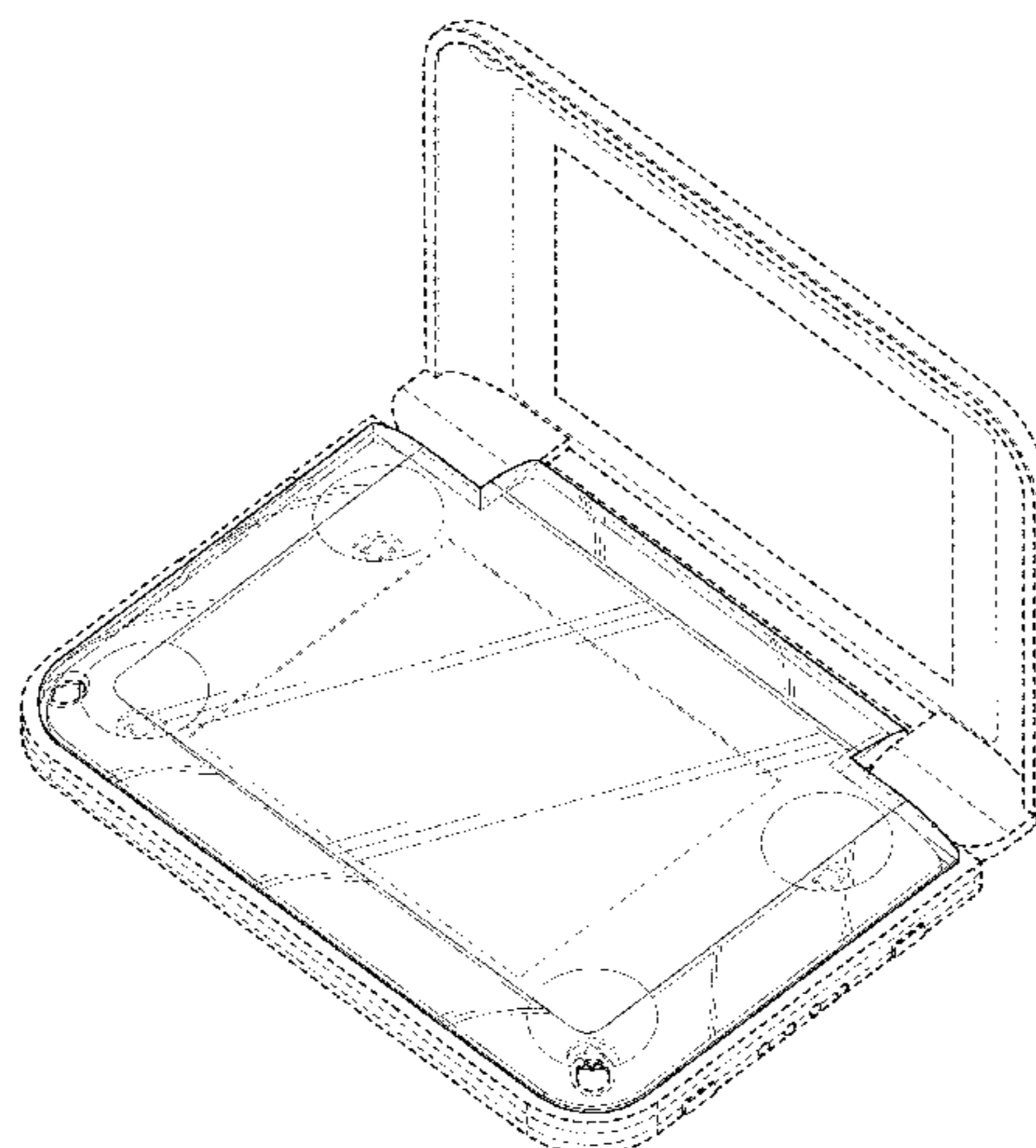
FIG. 5 is a right view thereof.

FIG. 6 is a top view thereof; and,

FIG. 7 is a bottom view thereof.

Reference is made to the accompanying drawings, wherein the portion shown in broken lines are for illustrative purposes only and form no part of the claimed design.

1 Claim, 7 Drawing Sheets



(56)

References Cited

U.S. PATENT DOCUMENTS

D562,764 S * 2/2008 Kingston D13/108
 D565,753 S * 4/2008 Uemoto D26/1
 D565,755 S * 4/2008 Uemoto D26/1
 D595,887 S * 7/2009 Blom D26/51
 D601,490 S 10/2009 Zhu
 D611,628 S * 3/2010 Uemoto D26/1
 D613,445 S * 4/2010 Beghelli D26/74
 D622,514 S 8/2010 Park
 7,768,192 B2 8/2010 Van de Ven et al.
 D624,598 S 9/2010 Chida
 D624,888 S * 10/2010 Takahashi D13/180
 D628,148 S 11/2010 English
 D630,162 S 1/2011 Bullen
 D634,704 S 3/2011 Tieleman
 D638,964 S 5/2011 Cappuccio
 D650,736 S 12/2011 Wharram
 D657,305 S 4/2012 Nomi
 D681,740 S 5/2013 Hase

8,508,116 B2 8/2013 Negley et al.
 D715,233 S 10/2014 Takao et al.
 D715,731 S 10/2014 Nook et al.
 8,853,892 B2 10/2014 Fells et al.
 8,853,947 B2 10/2014 Asato
 8,853,953 B2 10/2014 Pollock et al.
 8,858,015 B2 10/2014 Harshaw
 8,866,407 B2 10/2014 Takahashi
 8,866,416 B2 10/2014 Burrows et al.
 D723,461 S * 3/2015 Chen D13/108
 D776,050 S 1/2017 Awad
 D777,125 S * 1/2017 Eder D13/184
 D808,348 S * 1/2018 Lengua D13/180
 D810,679 S * 2/2018 Patton D13/108
 D812,140 S 3/2018 Lee
 D813,806 S * 3/2018 Ito D13/108
 2004/0042203 A1 * 3/2004 Ladstatter F21V 7/0016
 362/147
 2010/0182774 A1 7/2010 Kugei et al.
 2012/0120642 A1 5/2012 Sreshta et al.

* cited by examiner

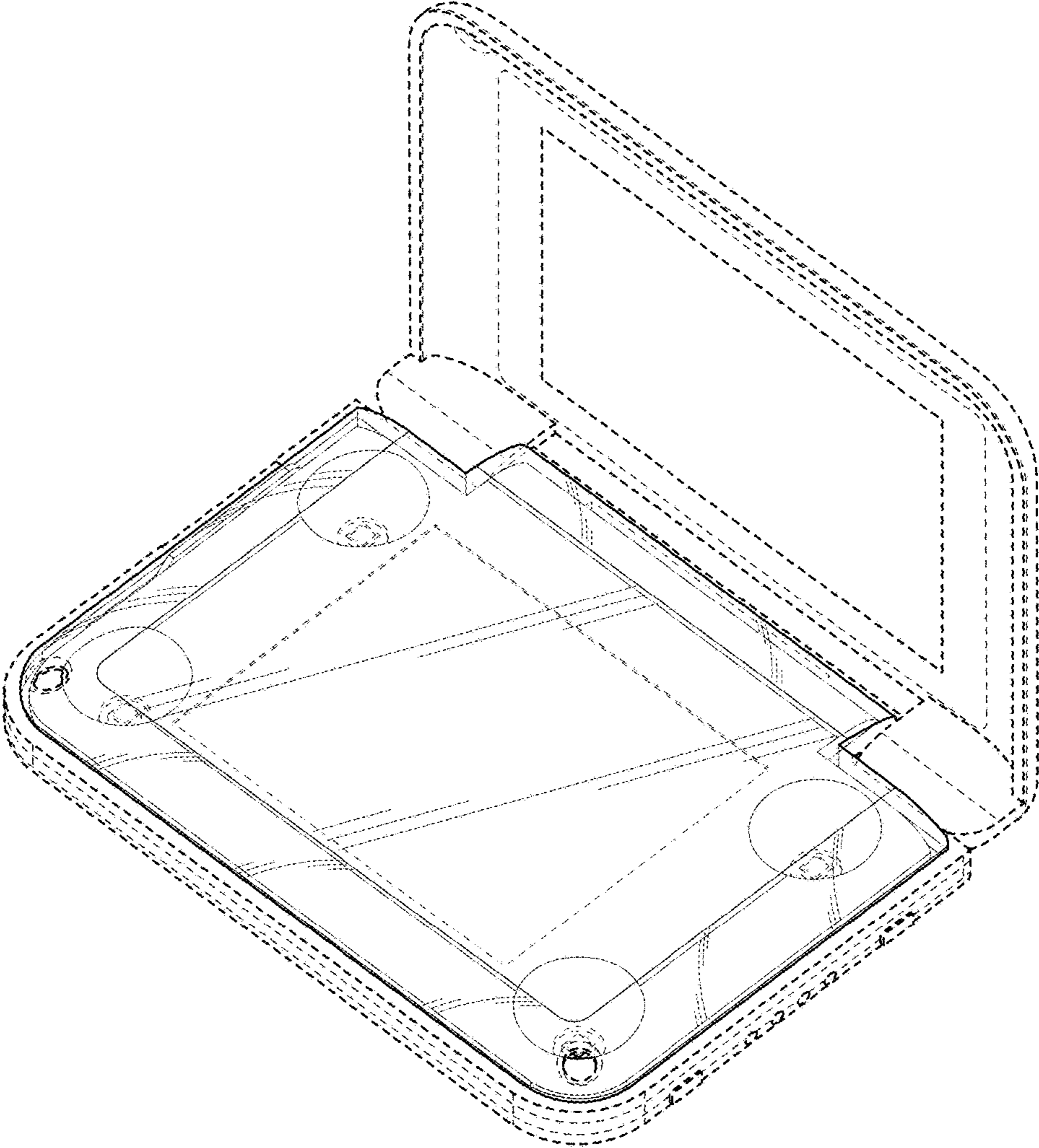


FIG. 1

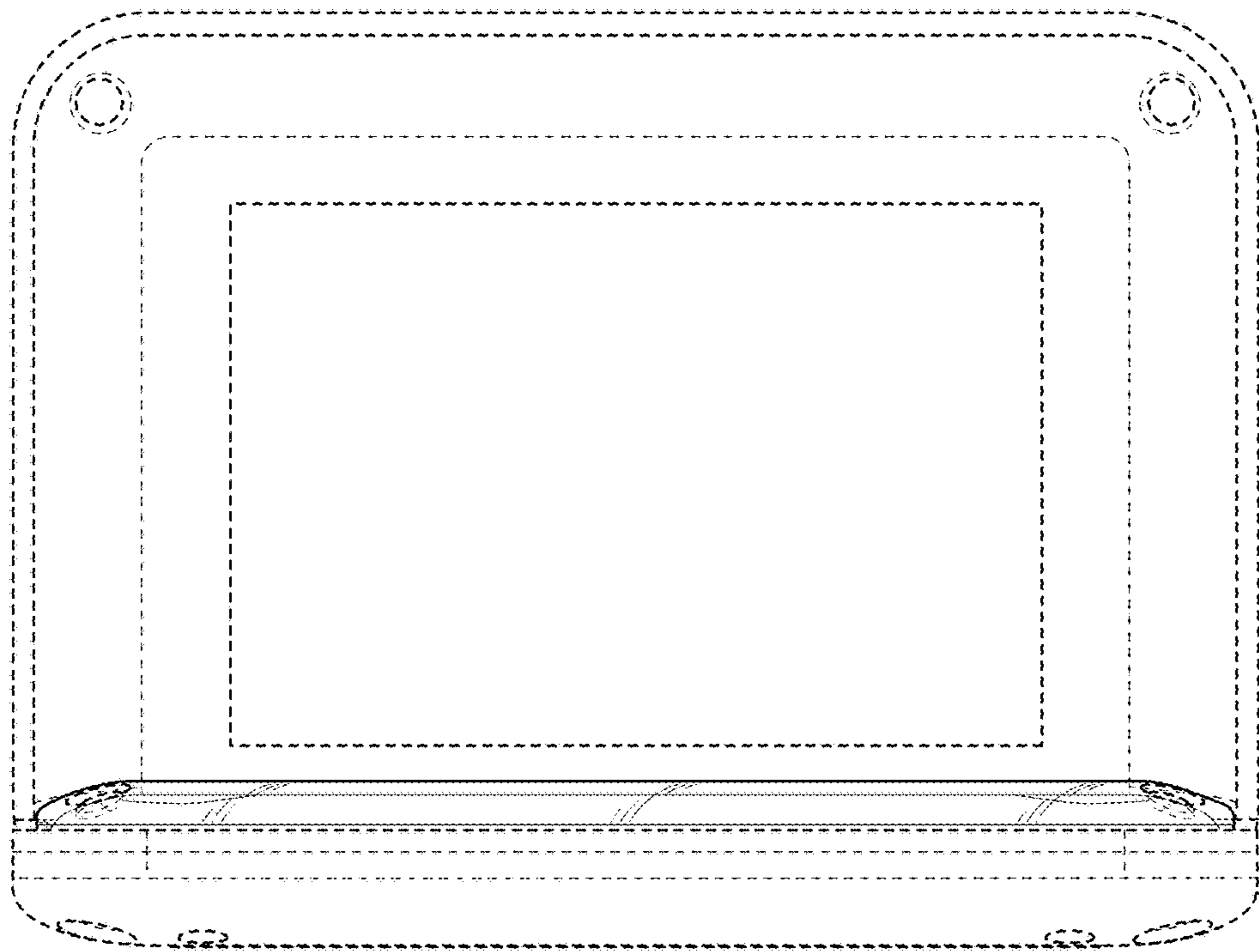


FIG. 2



FIG. 3

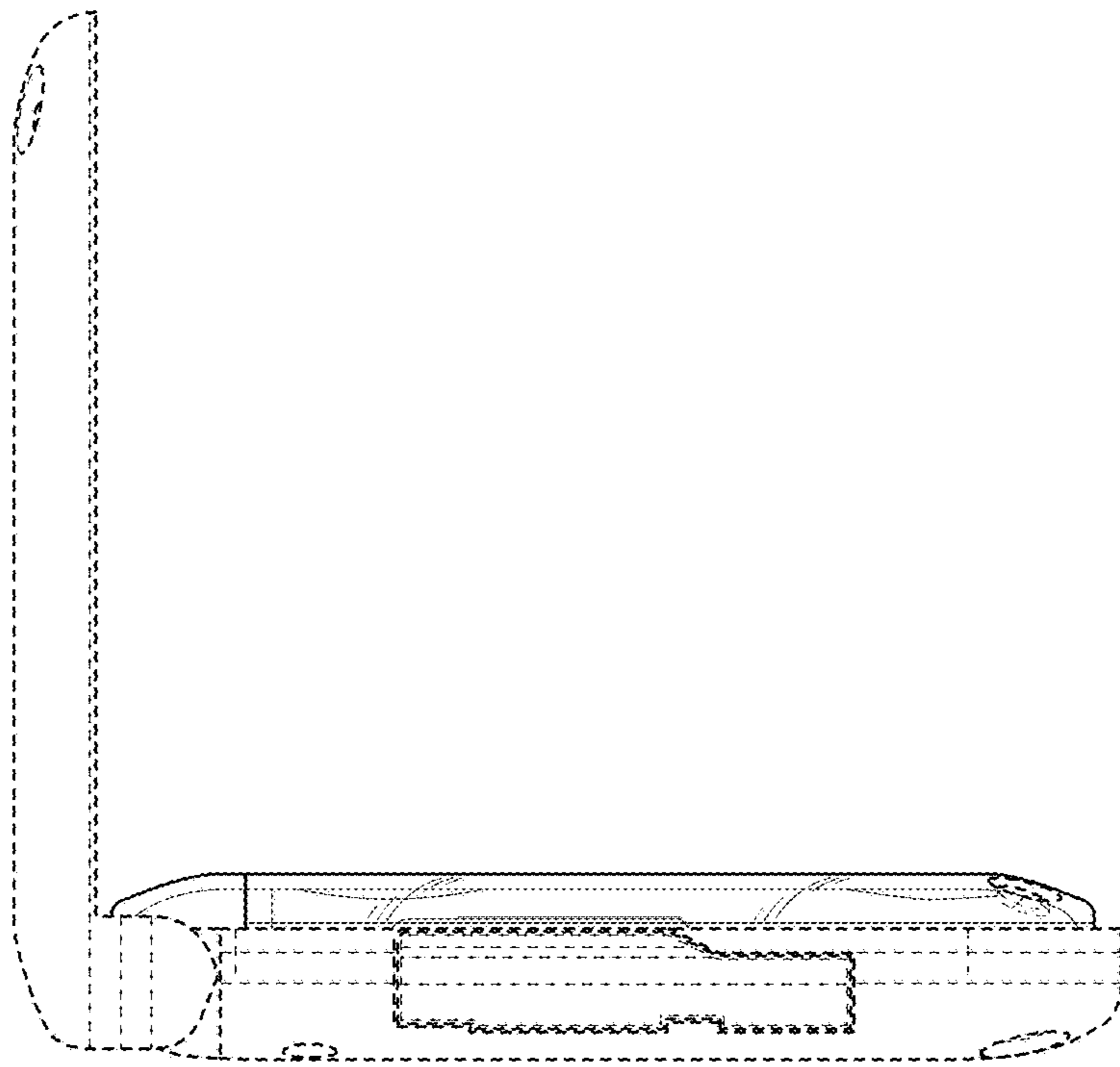


FIG. 4

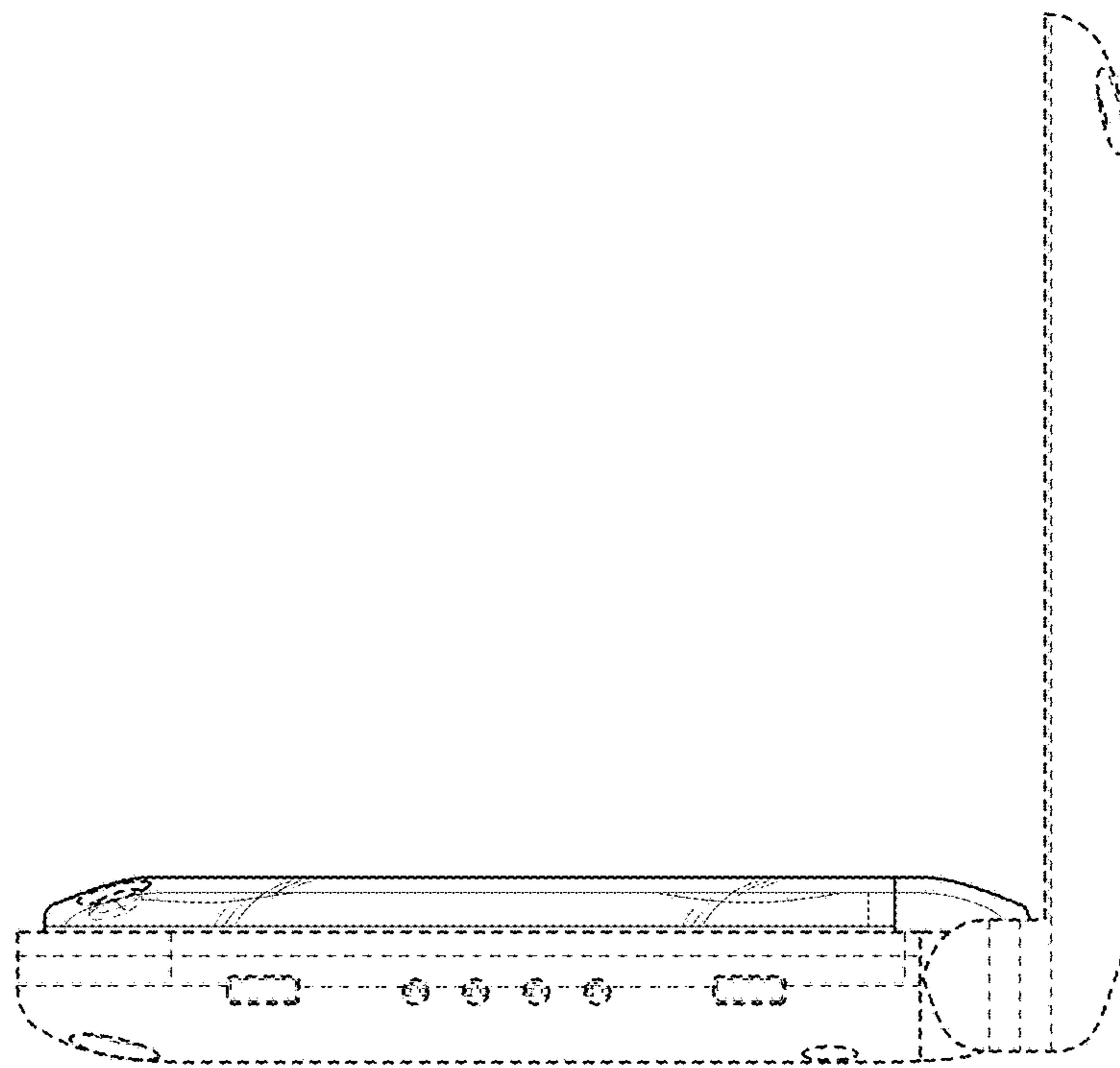


FIG. 5

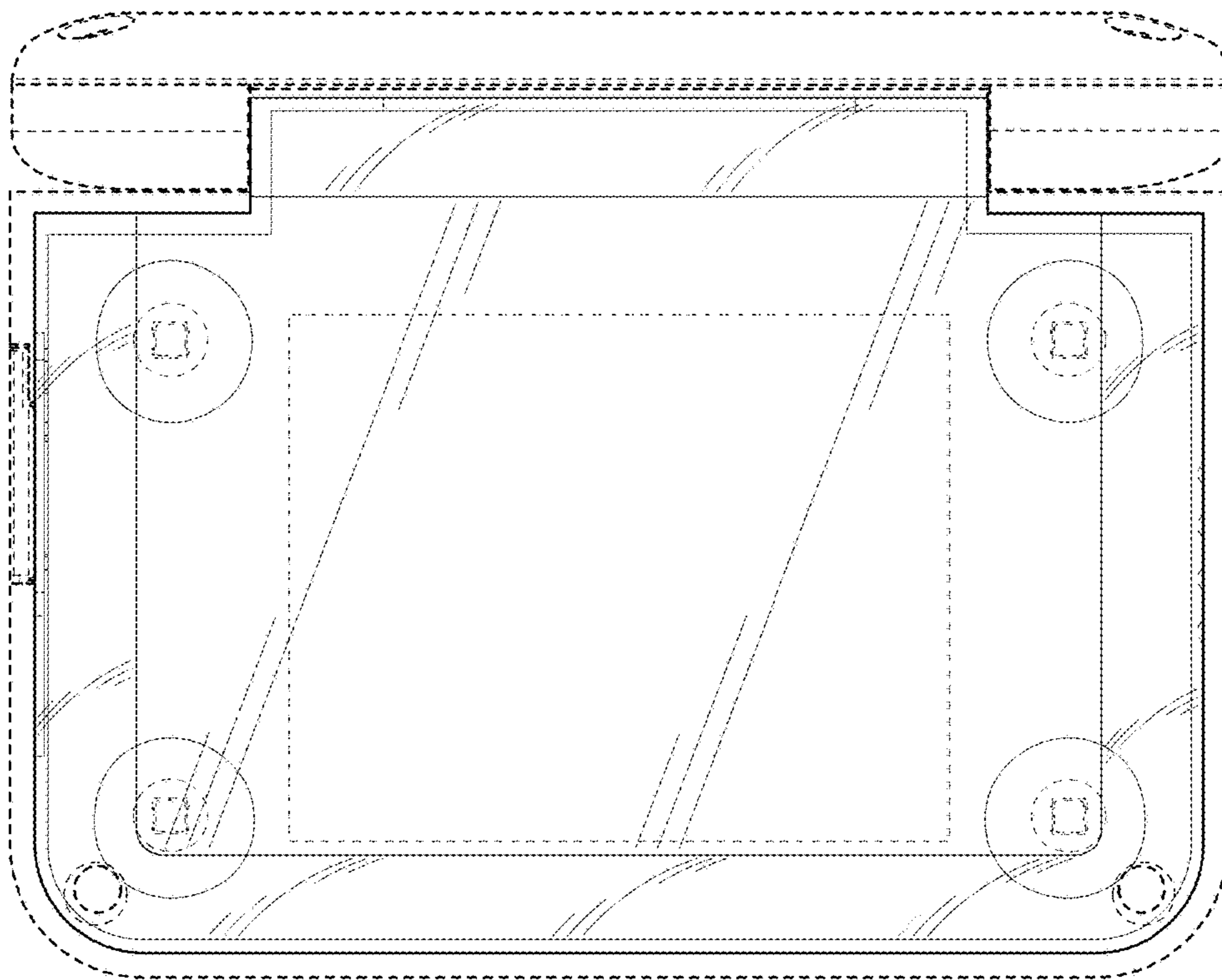


FIG. 6

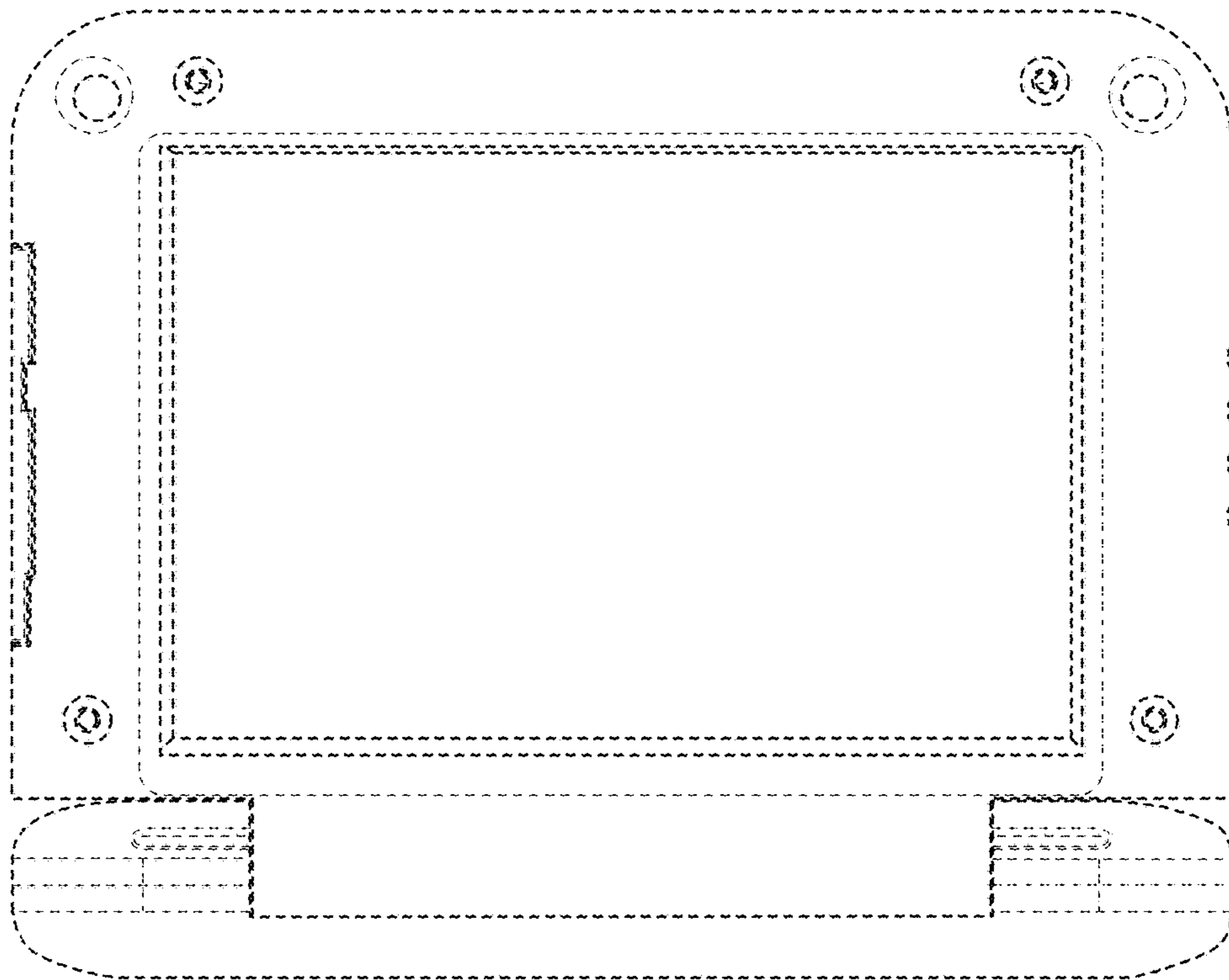


FIG. 7