

US00D866031S

(12) **United States Design Patent** (10) **Patent No.:** **US D866,031 S**
Muyshondt (45) **Date of Patent:** **** Nov. 5, 2019**

(54) **FLASHLIGHT**
(71) Applicant: **Muyshondt Enterprises, Inc.**, Leander, TX (US)
(72) Inventor: **Jorge Enrique Muyshondt**, Austin, TX (US)
(73) Assignee: **Muyshondt Enterprises, Inc.**, Leander, TX (US)

D713,982 S * 9/2014 Tompkin D26/49
D716,983 S * 11/2014 Ma D26/49
D719,286 S * 12/2014 Inskeep D26/49
D725,302 S * 3/2015 Popper D26/49
D734,519 S * 7/2015 Shen D26/49
D734,885 S * 7/2015 Brown D26/49
D767,805 S * 9/2016 Son D26/49
D783,193 S * 4/2017 Kao D26/49
D832,481 S * 10/2018 Tang D26/49
D833,050 S * 11/2018 Prieto D26/49
D833,051 S * 11/2018 Qiu D26/49

(**) Term: **15 Years**

* cited by examiner

(21) Appl. No.: **29/606,183**

Primary Examiner — Lakiya G Rogers

Assistant Examiner — Carissa C Fitts

(22) Filed: **Jun. 2, 2017**

(74) *Attorney, Agent, or Firm* — Koffsky Schwalb LLC;
Mark I. Koffsky

(51) **LOC (12) Cl.** **26-02**

(52) **U.S. Cl.**
USPC **D26/49**

(57) **CLAIM**

The ornamental design for a flashlight, as shown and described.

(58) **Field of Classification Search**

USPC D26/37-51
CPC F21L 2003/00; F21L 4/00; F21L 4/005;
F21L 4/02; F21L 4/025; F21L 4/027;
F21L 4/04; F21L 4/08; F21L 2005/00;
F21L 7/00; F21L 11/00; F21L 13/00;
F21L 13/04; F21L 13/08; F21L 14/02;
F21L 17/00; F21L 19/00; F21L 25/00

DESCRIPTION

See application file for complete search history.

FIG. 1 is an upper perspective view of a flashlight in accordance with the present invention.
FIG. 2 is an lower perspective view thereof.
FIG. 3 is a front view thereof.
FIG. 4 is a rear view thereof.
FIG. 5 is a left view thereof.
FIG. 6 is a right view thereof.
FIG. 7 is a top view thereof; and,
FIG. 8 is a bottom view thereof.

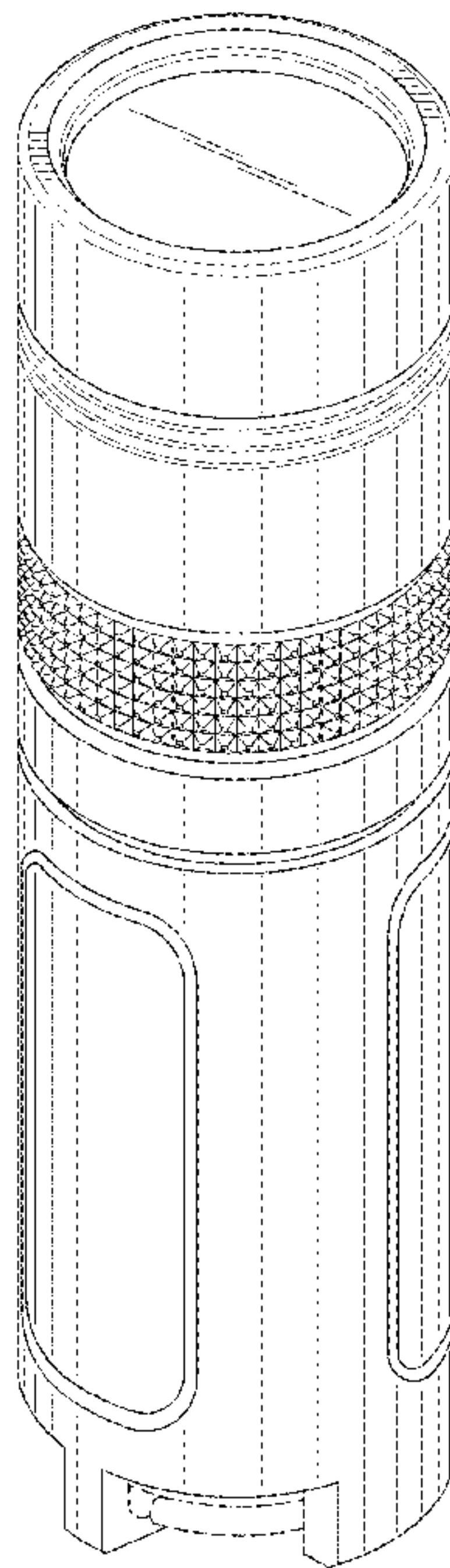
(56) **References Cited**

U.S. PATENT DOCUMENTS

D659,870 S * 5/2012 Cooper D26/49
D675,357 S * 1/2013 Shi D26/49
D675,358 S * 1/2013 Brands D26/49
D709,231 S * 7/2014 Nguyen D26/49

The broken lines in the figures show portions that form no part of the claimed design.

1 Claim, 7 Drawing Sheets



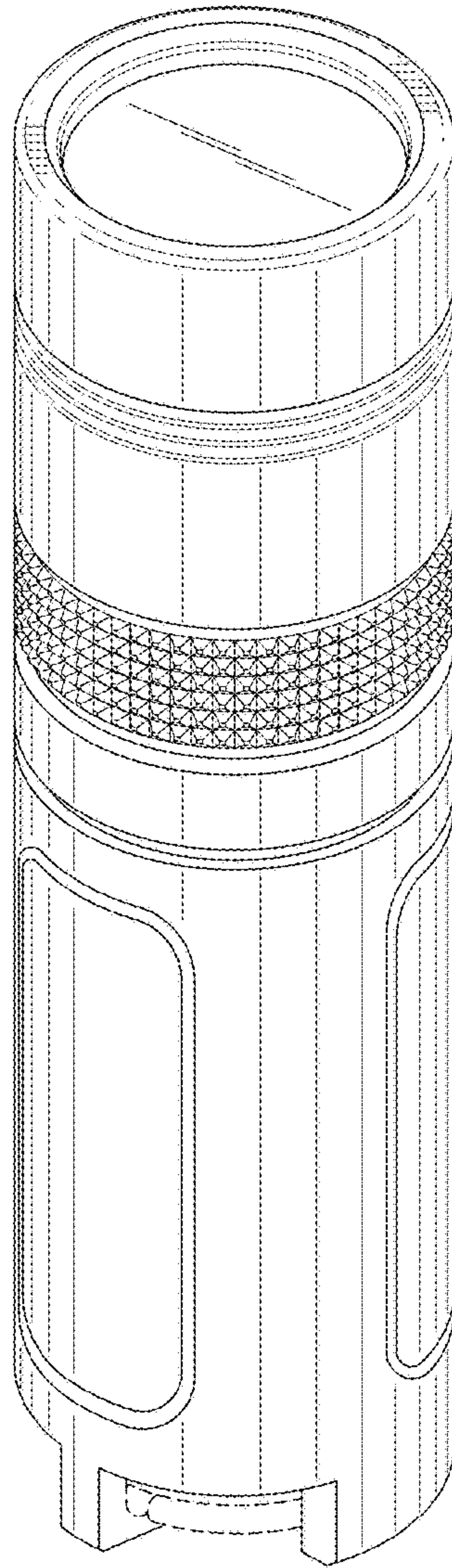


FIG. 1

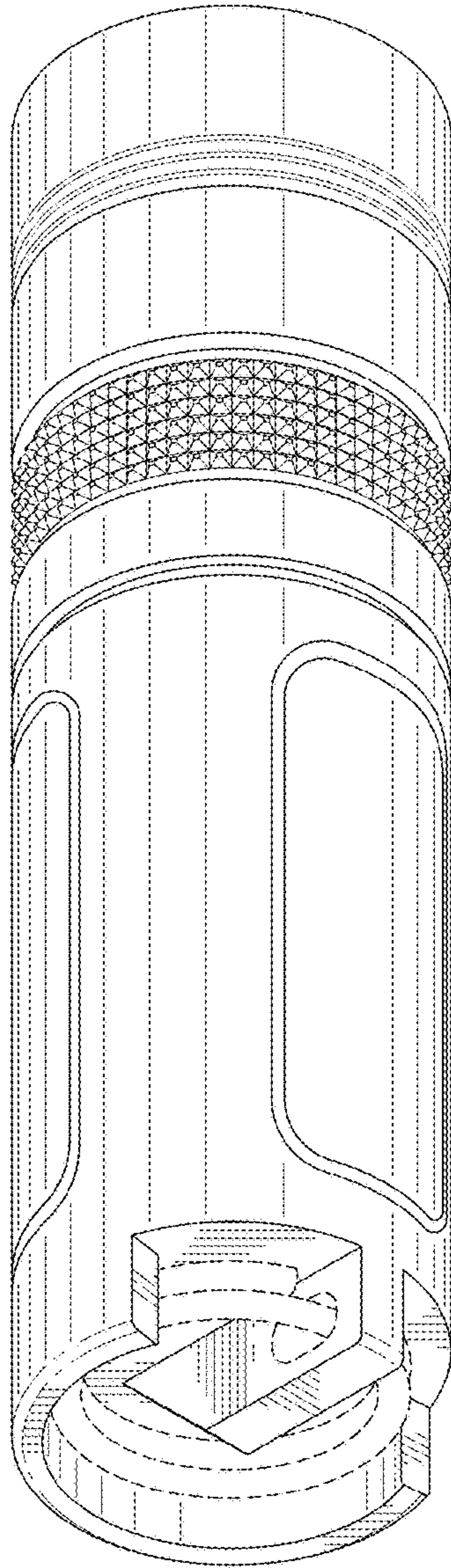


FIG. 2

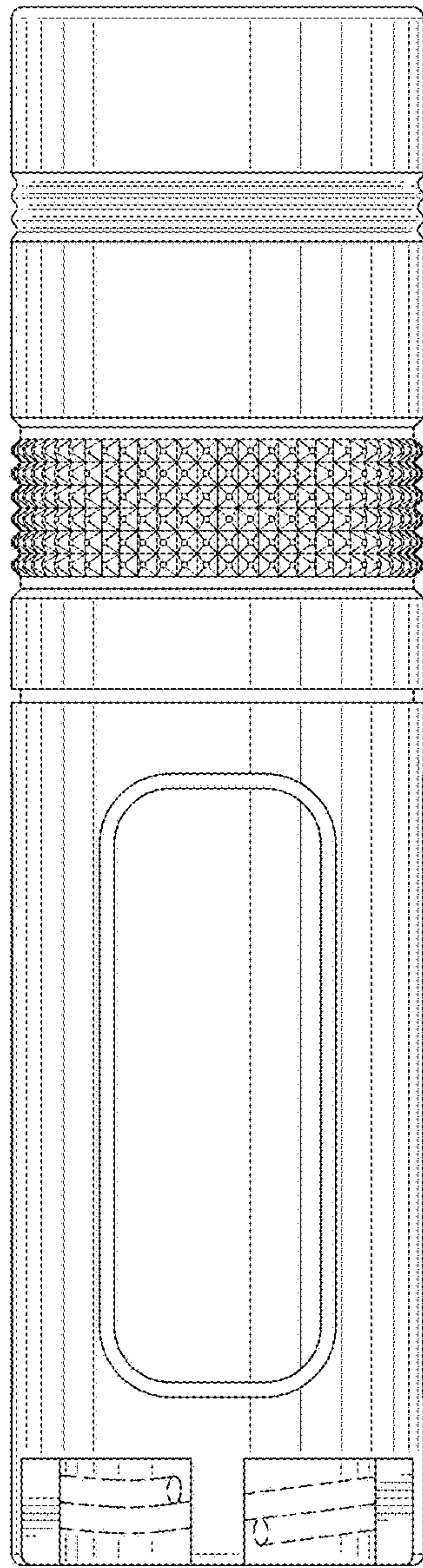


FIG. 3

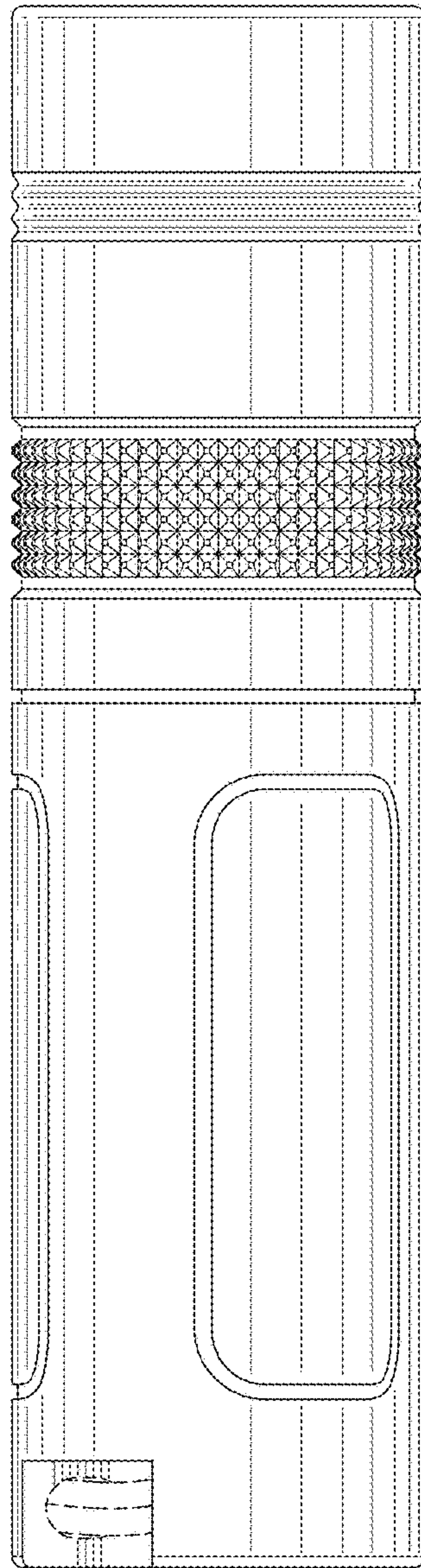


FIG.4

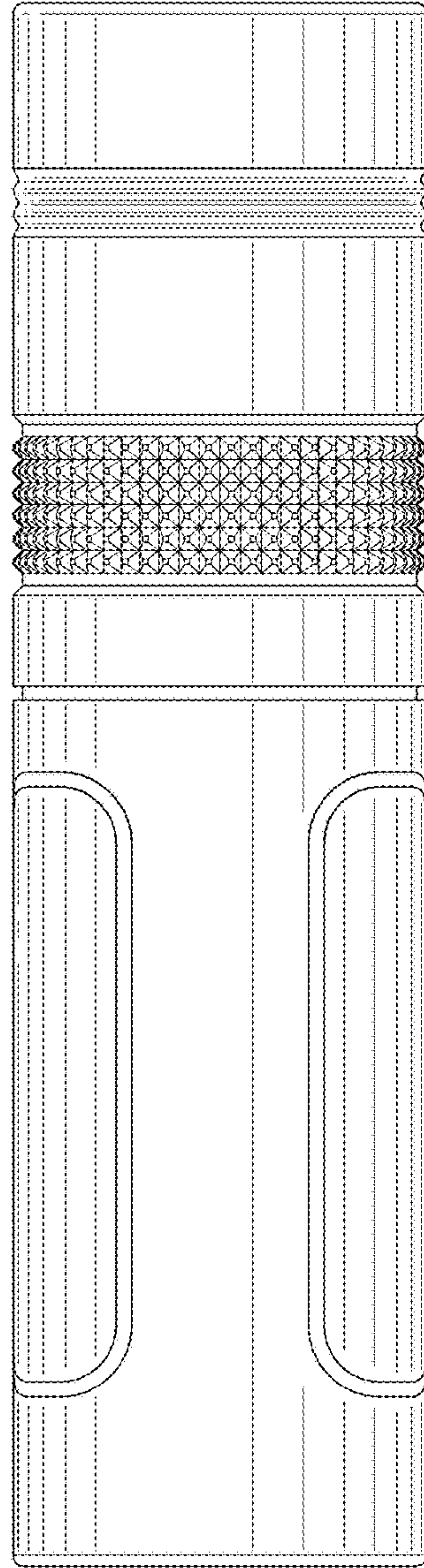


FIG. 5

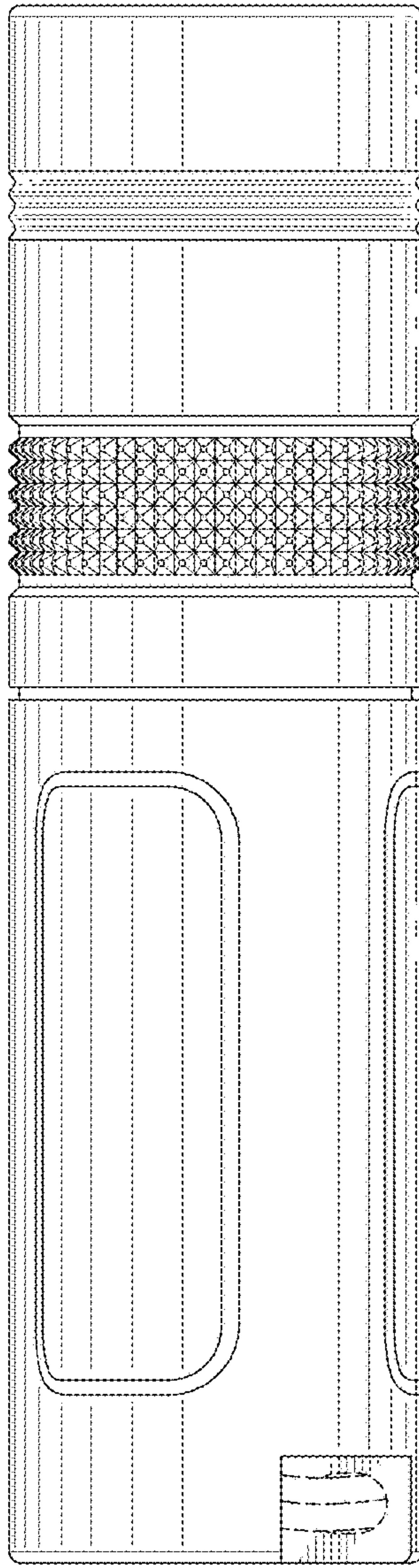


FIG.6

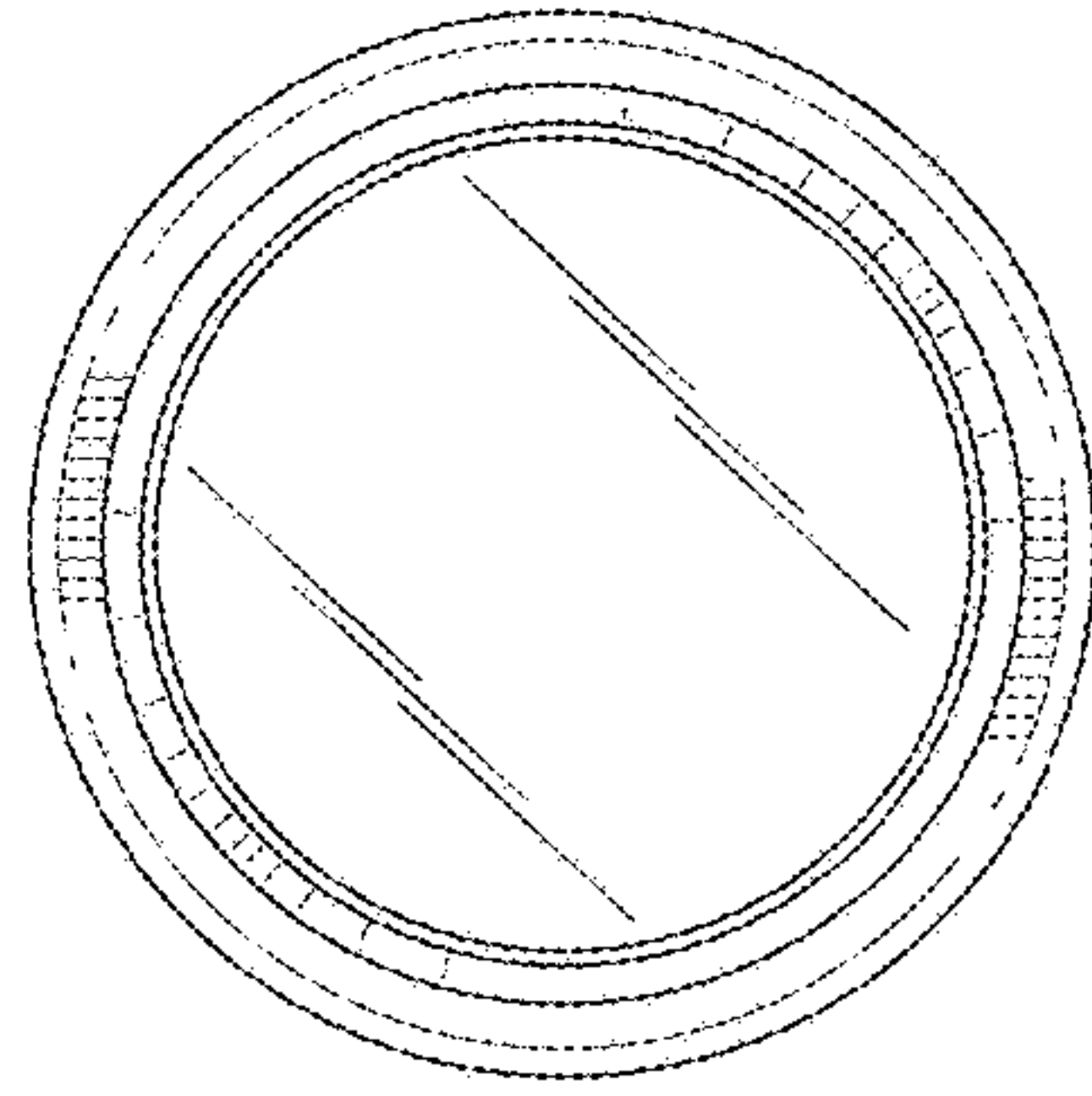


FIG. 7

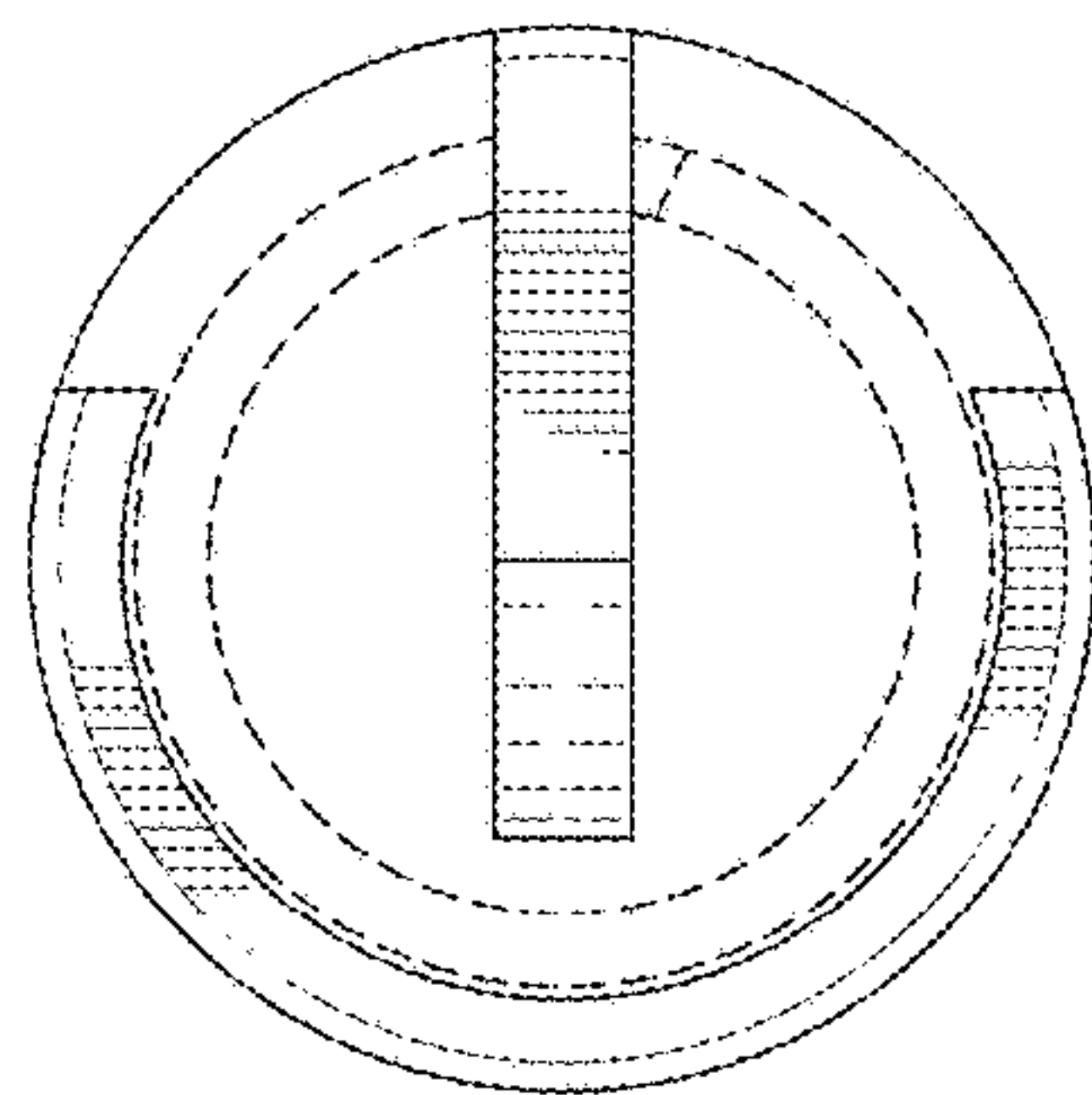


FIG. 8