

US00D866030S

(12) **United States Design Patent**
Bao

(10) **Patent No.:** **US D866,030 S**

(45) **Date of Patent:** **** Nov. 5, 2019**

(54) **WORK LIGHT**

(71) Applicant: **YUYAO YUCHANG ELECTRICAL APPLIANCE CO., LTD.**, Zhejiang (CN)

(72) Inventor: **Yong Bao**, Zhejiang (CN)

(73) Assignee: **YUYAO YUCHANG ELECTRICAL APPLIANCE CO., LTD.**, Zhejiang (CN)

(**) Term: **15 Years**

(21) Appl. No.: **29/634,508**

(22) Filed: **Jan. 23, 2018**

(30) **Foreign Application Priority Data**

Sep. 25, 2017 (CN) 2017 3 0456092

(51) **LOC (12) Cl.** **26-02**

(52) **U.S. Cl.**
USPC **D26/44; D26/49**

(58) **Field of Classification Search**
USPC D26/37-51
CPC F21L 2003/00; F21L 4/00; F21L 4/005;
F21L 4/02; F21L 4/025; F21L 4/027;
F21L 4/04; F21L 4/08; F21L 2005/00;
F21L 7/00; F21L 11/00; F21L 13/00;
F21L 13/04; F21L 13/08; F21L 14/02;
F21L 17/00; F21L 19/00; F21L 25/00
See application file for complete search history.

(56) **References Cited**

U.S. PATENT DOCUMENTS

D369,422 S * 4/1996 Dalton D26/46
7,670,023 B1 * 3/2010 Peterson F21L 4/027
320/101

D687,990 S * 8/2013 Yeh D26/46
D687,992 S * 8/2013 Yeh D26/46
D689,229 S * 9/2013 Yeh D26/49
D707,869 S * 6/2014 Wu D26/46
D716,983 S * 11/2014 Ma D26/49
D726,944 S * 4/2015 Wu D26/46
D746,500 S * 12/2015 Brown D26/49
D767,187 S * 9/2016 Hine D26/49
D806,295 S * 12/2017 Kang D26/49
D808,556 S * 1/2018 Patel D26/46
D810,980 S * 2/2018 Rosandick D26/44
D824,557 S * 7/2018 Waters D26/46
D837,428 S * 1/2019 Arena D26/44

* cited by examiner

Primary Examiner — Lakiya G Rogers

Assistant Examiner — Carissa C Fitts

(74) *Attorney, Agent, or Firm* — JCIPRNET

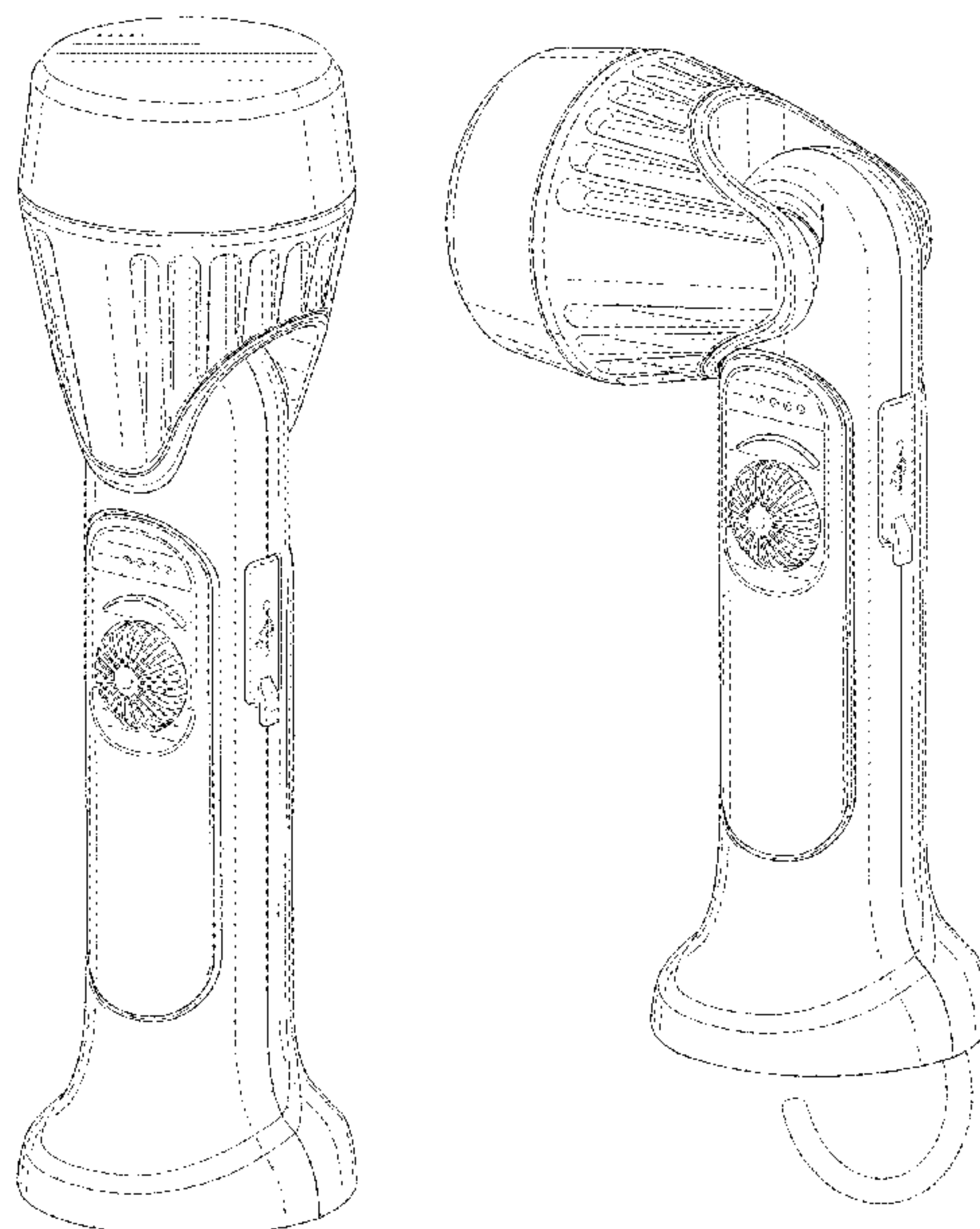
(57) **CLAIM**

The ornamental design for a work light, as shown and described.

DESCRIPTION

FIG. 1 is a perspective view of a work light showing my new design;
FIG. 2 is a front view thereof;
FIG. 3 is a rear view thereof;
FIG. 4 is a left side view thereof;
FIG. 5 is a right side view thereof;
FIG. 6 is a plan view thereof;
FIG. 7 is a bottom plan view thereof;
FIG. 8 is another perspective view thereof, wherein a head of the work light of the present design is rotated; and,
FIG. 9 is another perspective view thereof, wherein the head of the work light of the present design is stretched.
The broken lines show portions of the article which form no part of the claimed design.

1 Claim, 9 Drawing Sheets



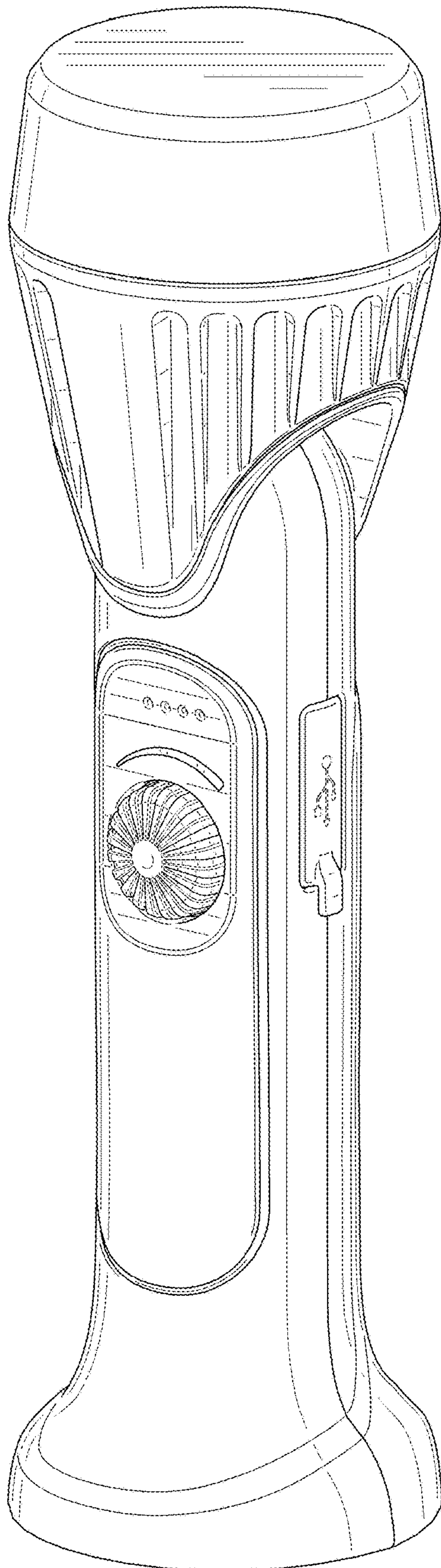


FIG. 1

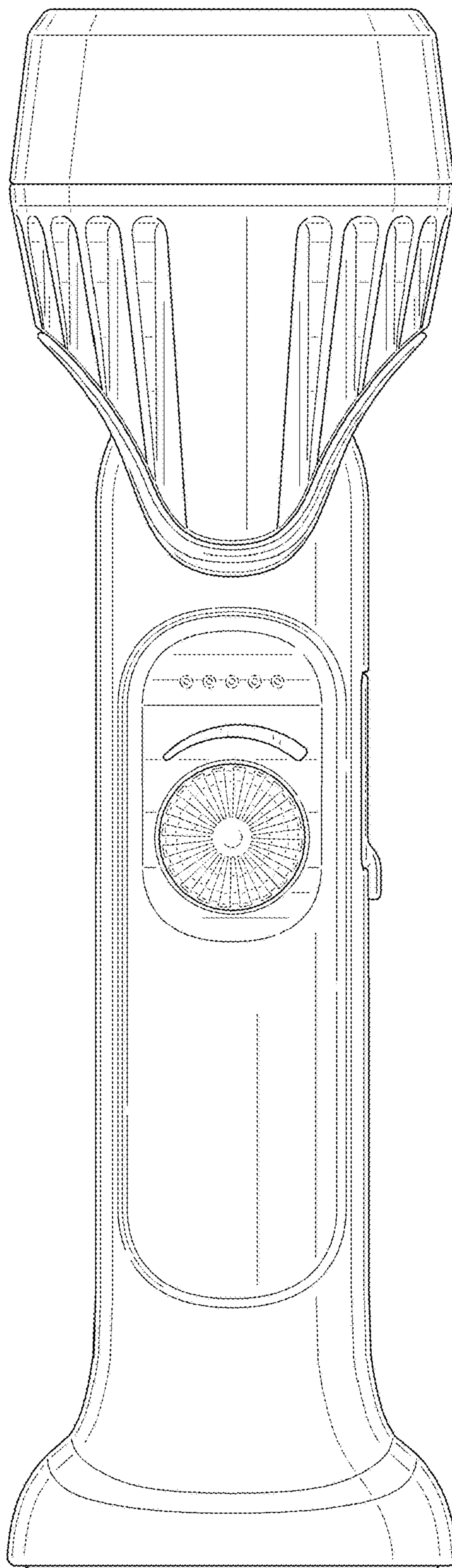


FIG. 2

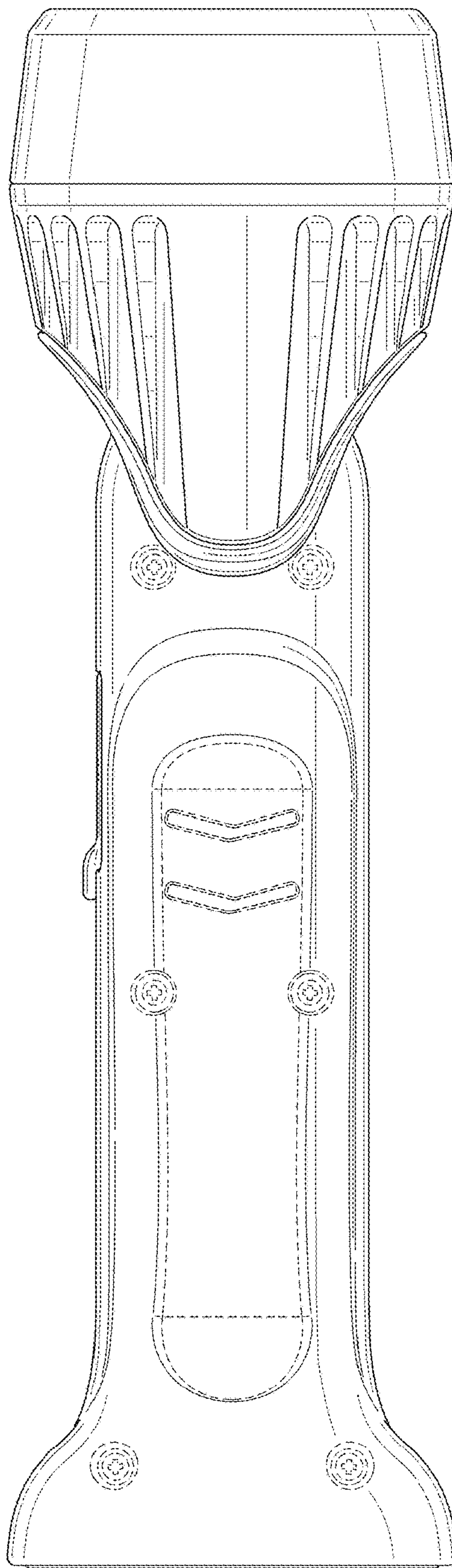


FIG. 3

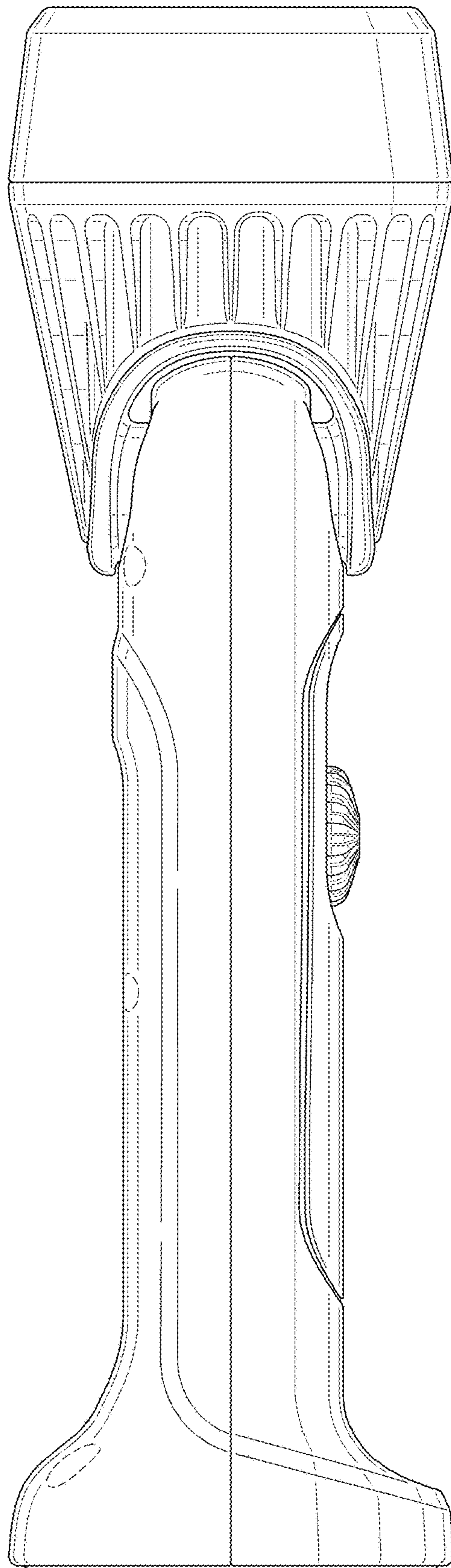


FIG. 4

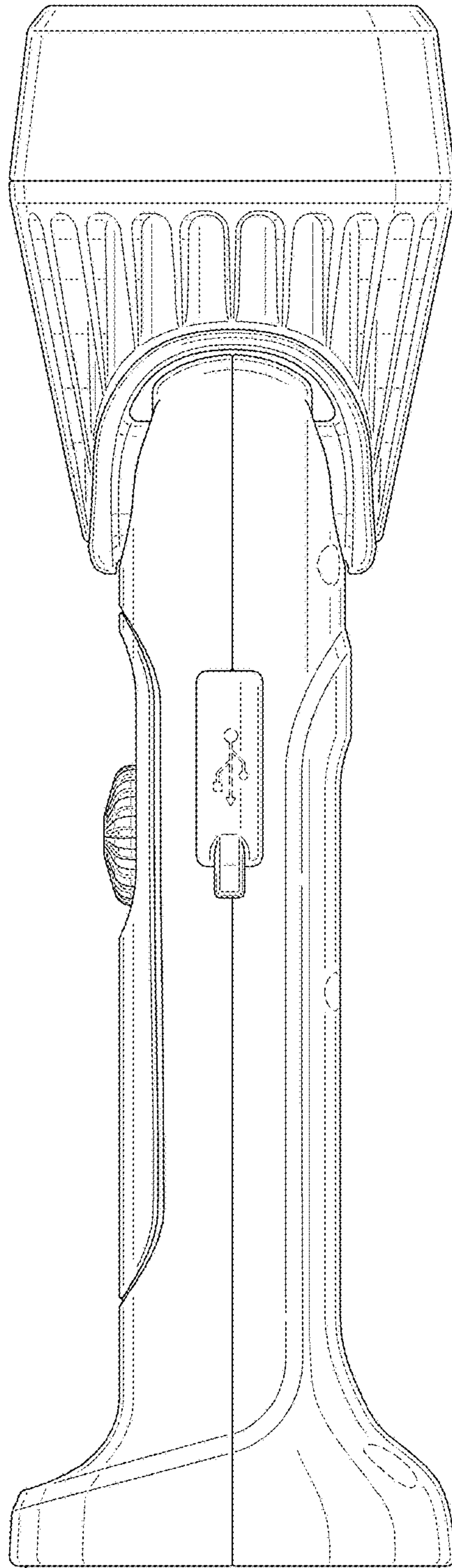


FIG. 5

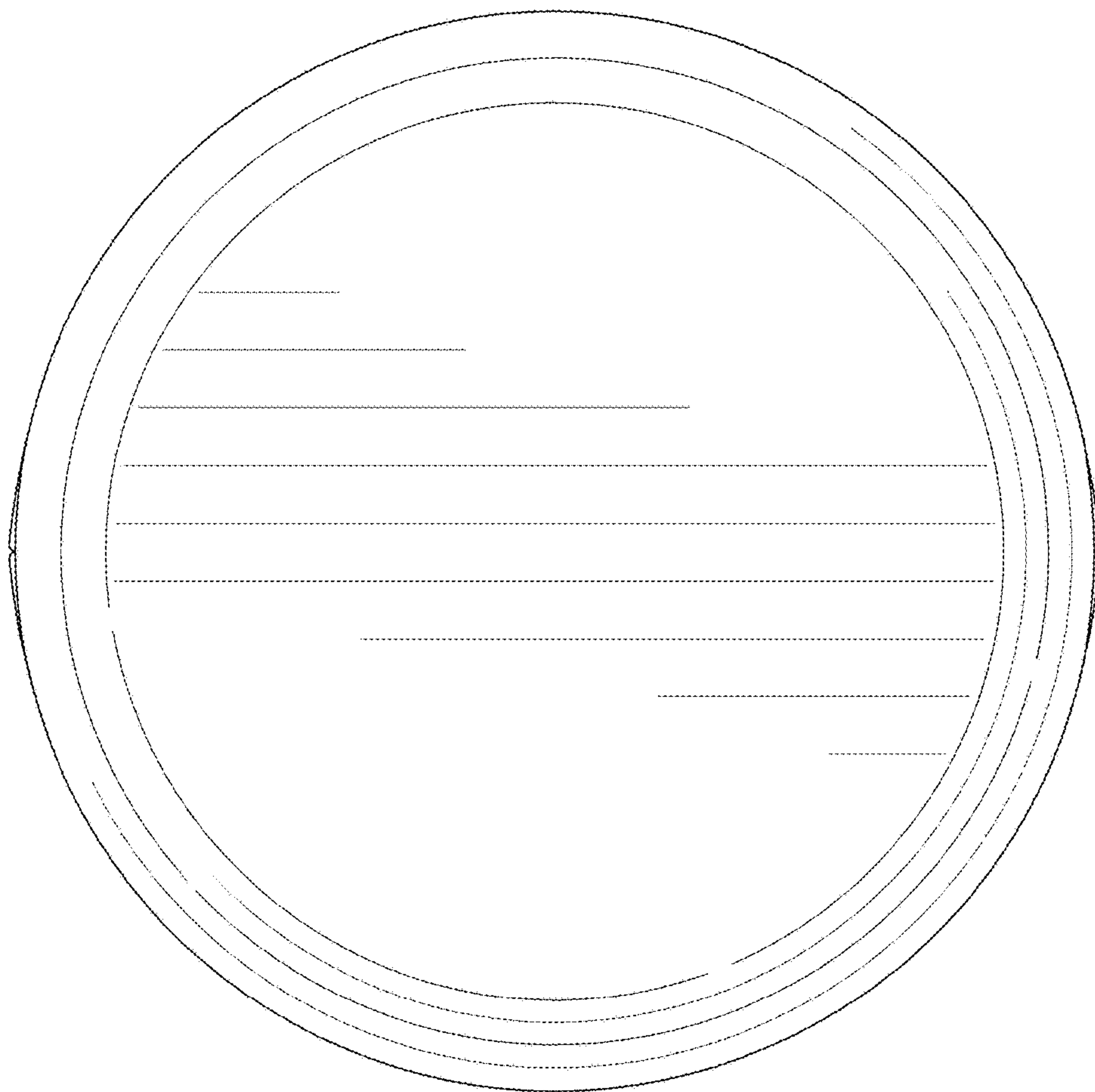


FIG. 6

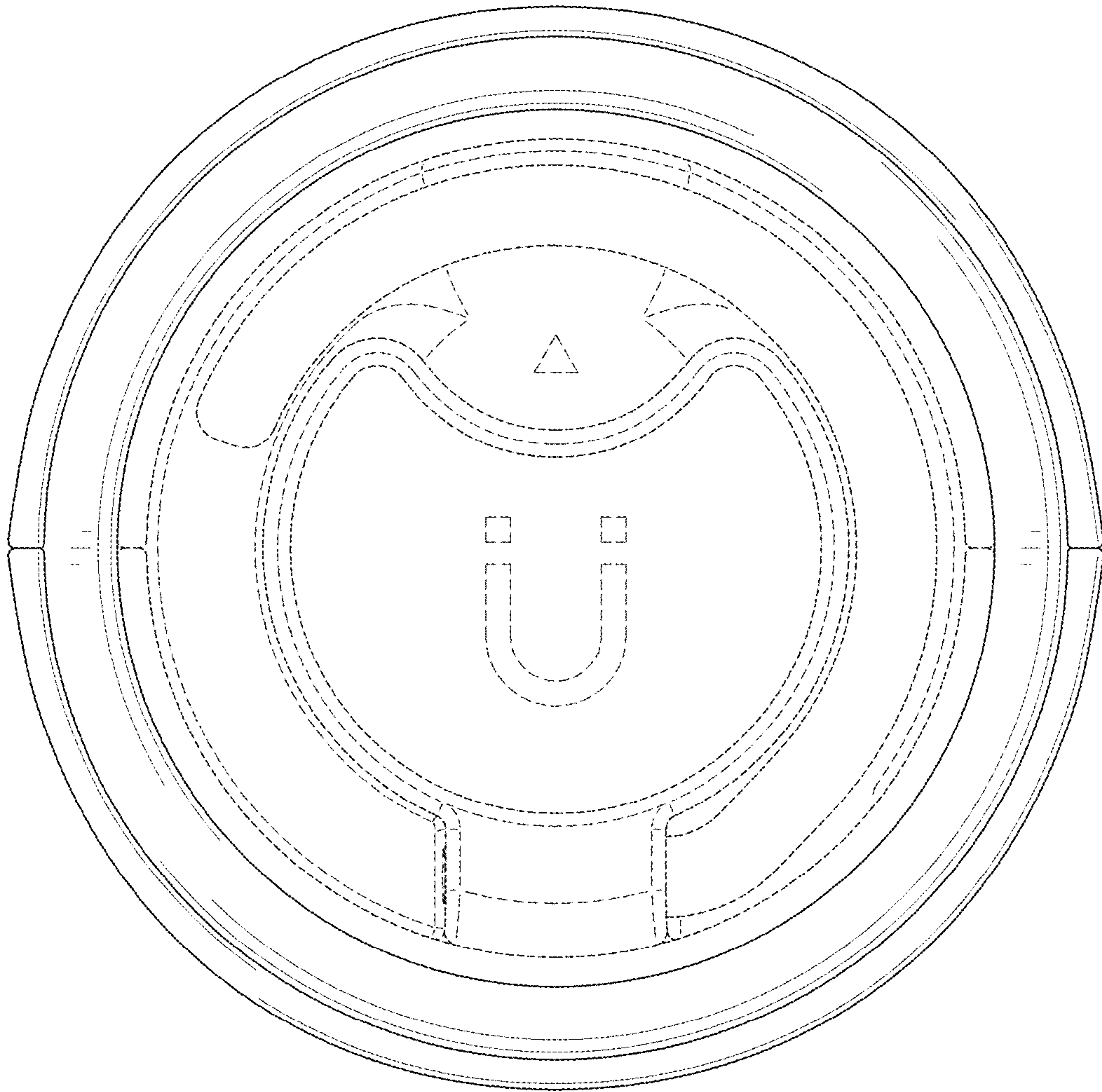


FIG. 7

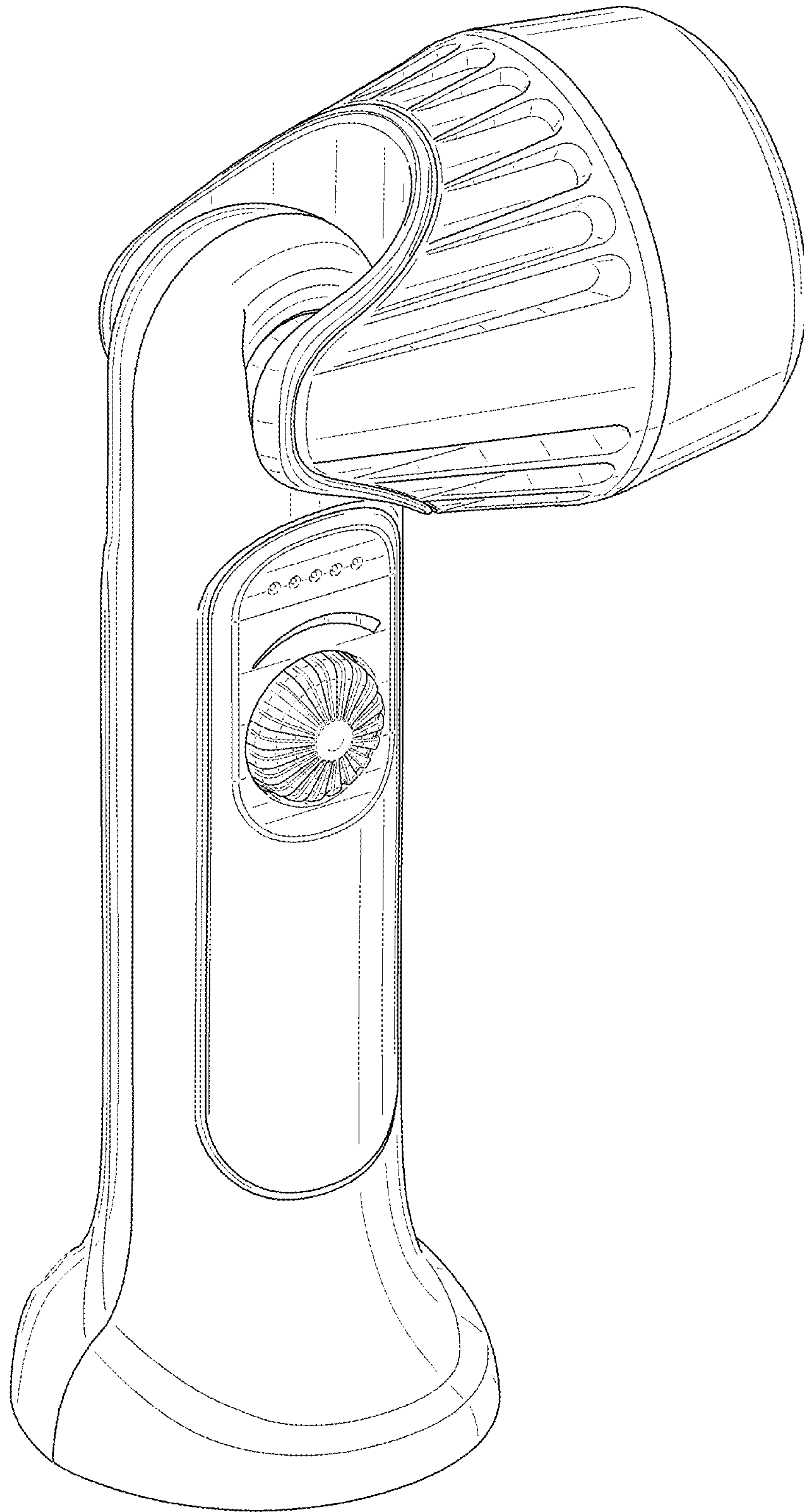


FIG. 8

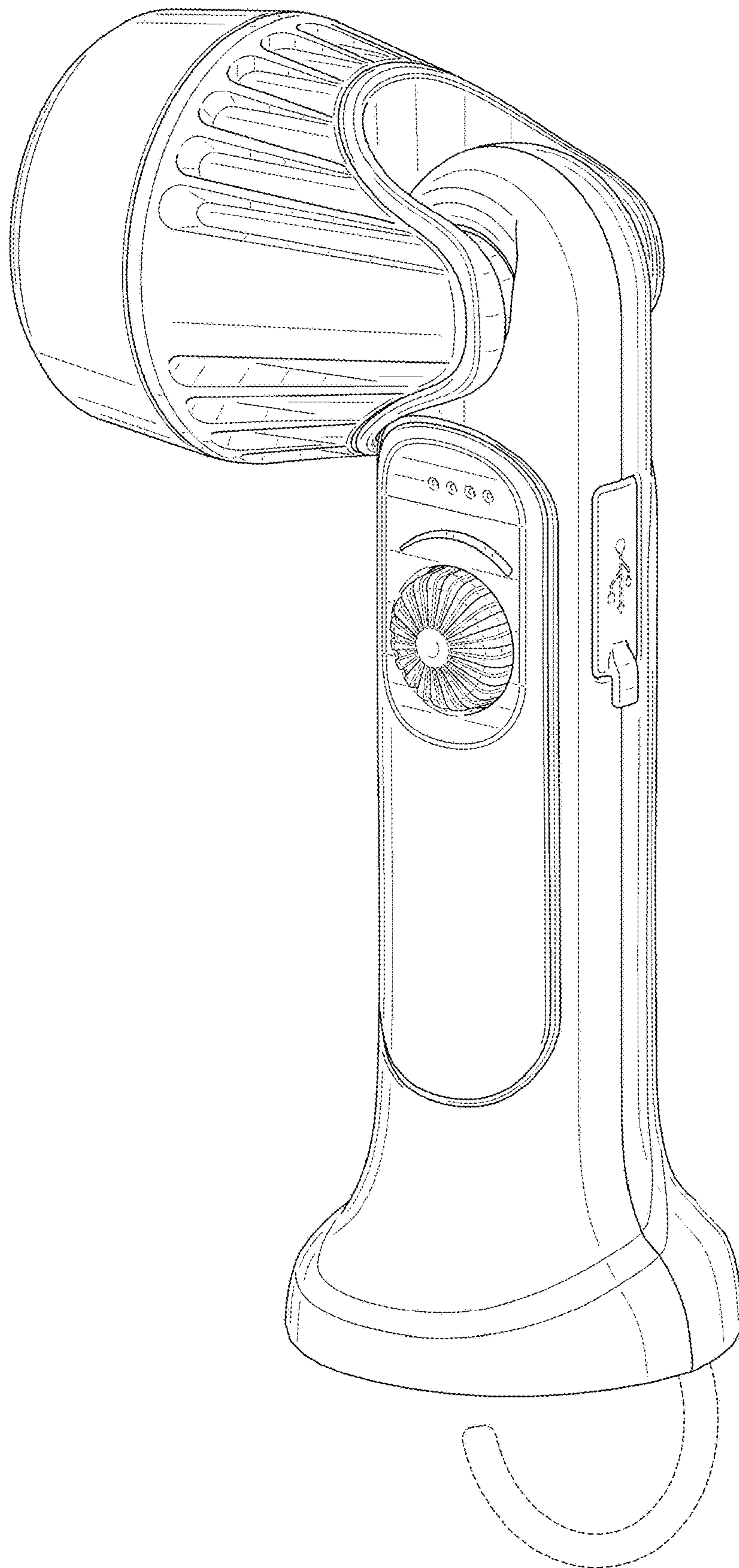


FIG. 9