

US00D866029S

(12) **United States Design Patent**  
**Kawakami**

(10) **Patent No.:** **US D866,029 S**

(45) **Date of Patent:** **\*\* Nov. 5, 2019**

- (54) **LAMP FOR HELMETS**
- (71) Applicant: **Cateye Co., Ltd.**, Osaka (JP)
- (72) Inventor: **Kenta Kawakami**, Osaka (JP)
- (73) Assignee: **Cateye Co., Ltd.**, Osaka (JP)
- (\*\*) Term: **15 Years**

D699,380 S *	2/2014	Weaver	.....	D26/39
D743,598 S	11/2015	Inskeep		
D763,493 S *	8/2016	Fields	.....	D26/113
D781,470 S *	3/2017	Hsieh	.....	D26/24
D787,728 S *	5/2017	Wing	.....	D26/37
D812,278 S *	3/2018	Pontano	.....	D26/39

- (21) Appl. No.: **29/611,969**
- (22) Filed: **Jul. 27, 2017**

**FOREIGN PATENT DOCUMENTS**

JP	410030	12/1975
TW	D184555	7/2017

(30) **Foreign Application Priority Data**

Jan. 31, 2017 (JP) ..... 2017-001704

(51) **LOC (12) Cl.** ..... **26-02**

(52) **U.S. Cl.**  
USPC ..... **D26/39**

(58) **Field of Classification Search**  
USPC ..... D26/37-51  
CPC ..... F21L 2003/00; F21L 4/00; F21L 4/005;  
F21L 4/02; F21L 4/025; F21L 4/027;  
F21L 4/04; F21L 4/08; F21L 2005/00;  
F21L 7/00; F21L 11/00; F21L 13/00;  
F21L 13/04; F21L 13/08; F21L 14/02;  
F21L 17/00; F21L 19/00; F21L 25/00  
See application file for complete search history.

(56) **References Cited**

**U.S. PATENT DOCUMENTS**

D525,536 S *	7/2006	Chan	.....	D10/2
D552,278 S *	10/2007	Spartano	.....	D26/39
D589,186 S *	3/2009	Coushaine	.....	D26/37
D604,435 S *	11/2009	Kingston	.....	D26/37
D656,259 S	3/2012	Ku		
D662,239 S *	6/2012	Szymanski	.....	D26/39
D663,451 S *	7/2012	Ueda	.....	D26/28

**OTHER PUBLICATIONS**

“Feel Stylish” Cateye device shown in Cycle Sports, vol. 9, No. 37, Sep. 1, 2006.

\* cited by examiner

*Primary Examiner* — Lakiya G Rogers  
*Assistant Examiner* — Carissa C Fitts  
 (74) *Attorney, Agent, or Firm* — Saul Ewing Arnstein & Lehr LLP

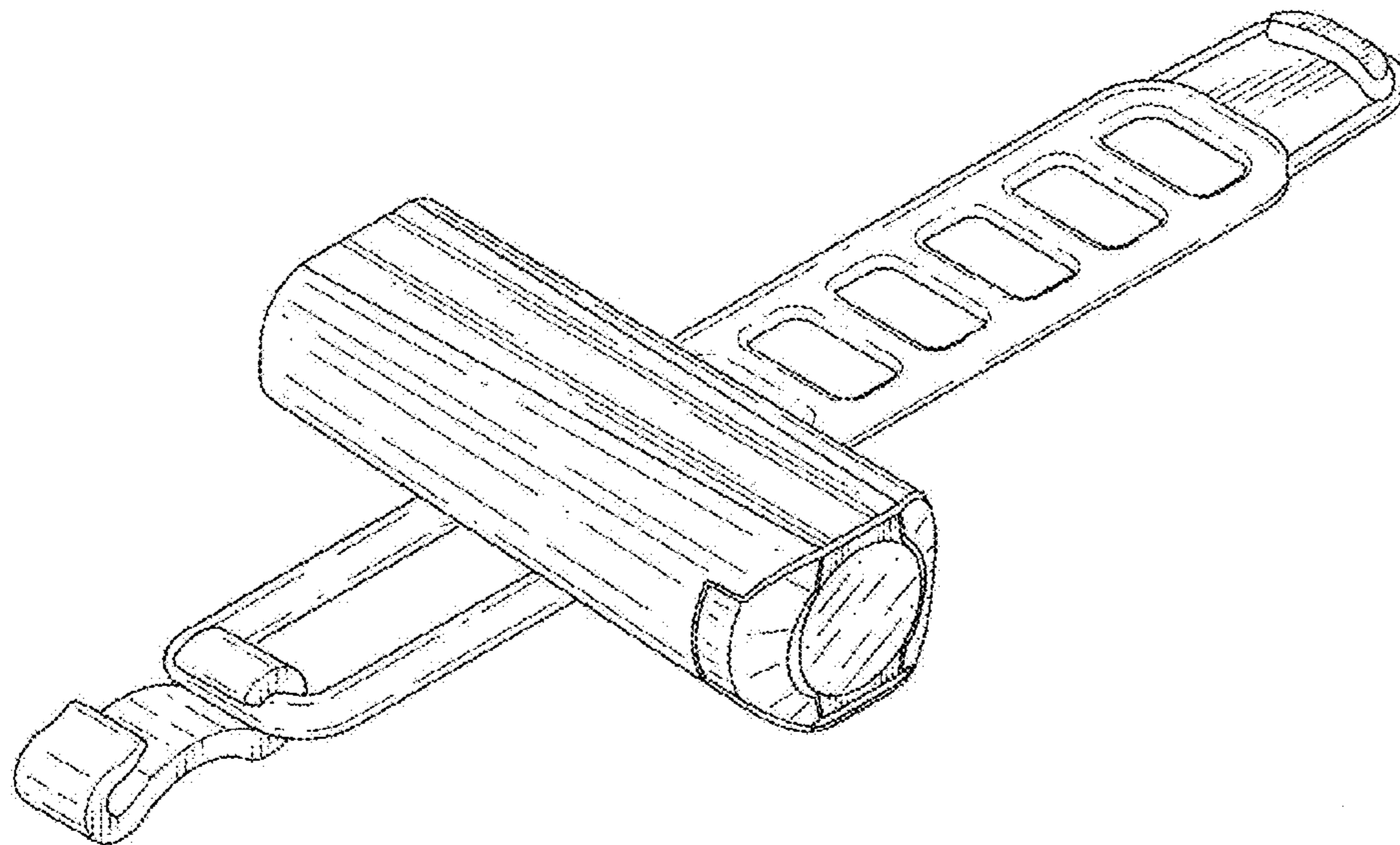
(57) **CLAIM**

The ornamental design for a lamp for helmets, as shown and described.

**DESCRIPTION**

FIG. 1 is a perspective view of a lamp for helmets showing my new design;  
 FIG. 2 is a front view thereof;  
 FIG. 3 is a back view thereof;  
 FIG. 4 is a top view thereof;  
 FIG. 5 is a bottom view thereof;  
 FIG. 6 is a right view thereof; and,  
 FIG. 7 is a left view thereof.  
 The broken lines show portions of the article which form no part of the claimed design.

**1 Claim, 7 Drawing Sheets**



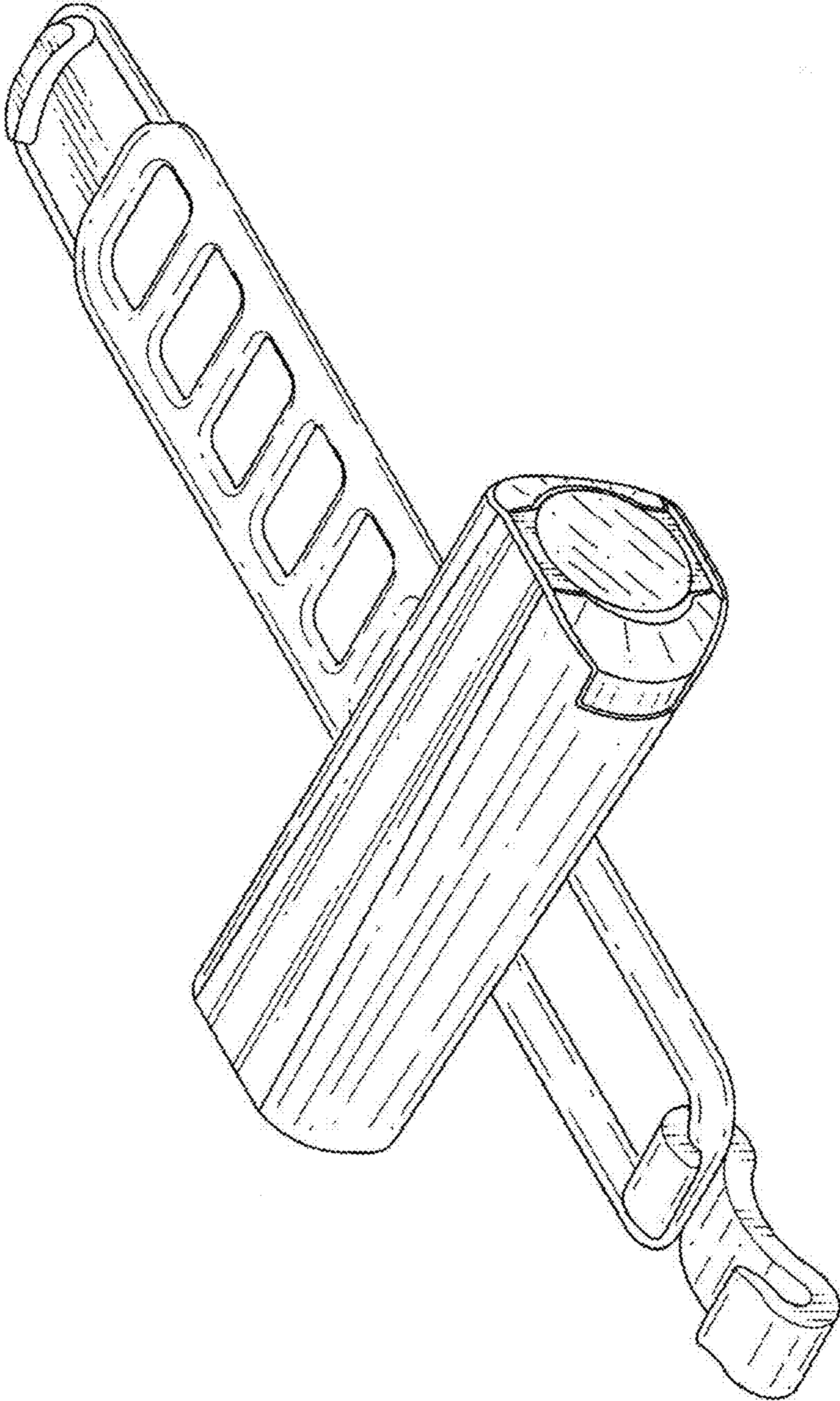


Fig. 1

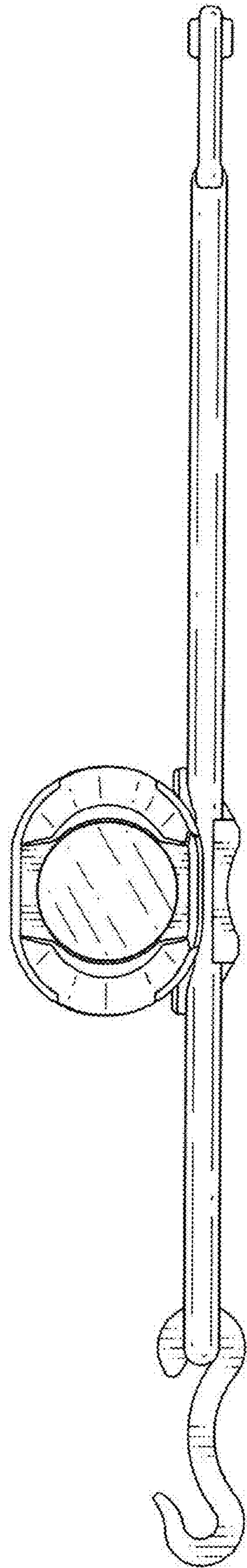


Fig. 2

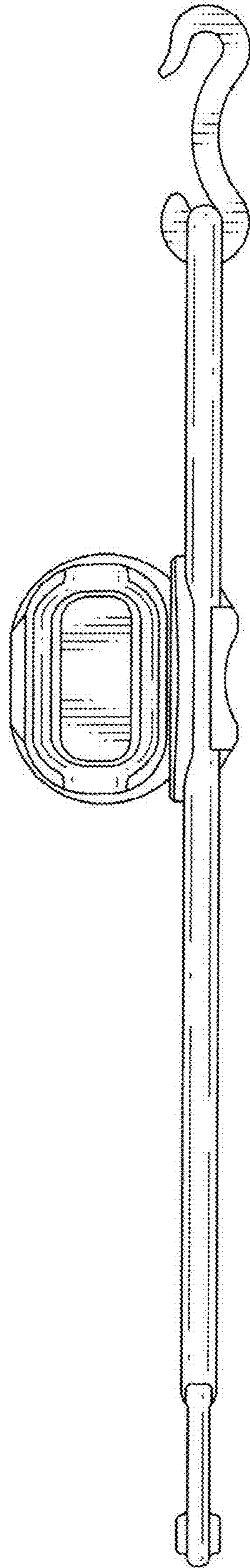


Fig. 3



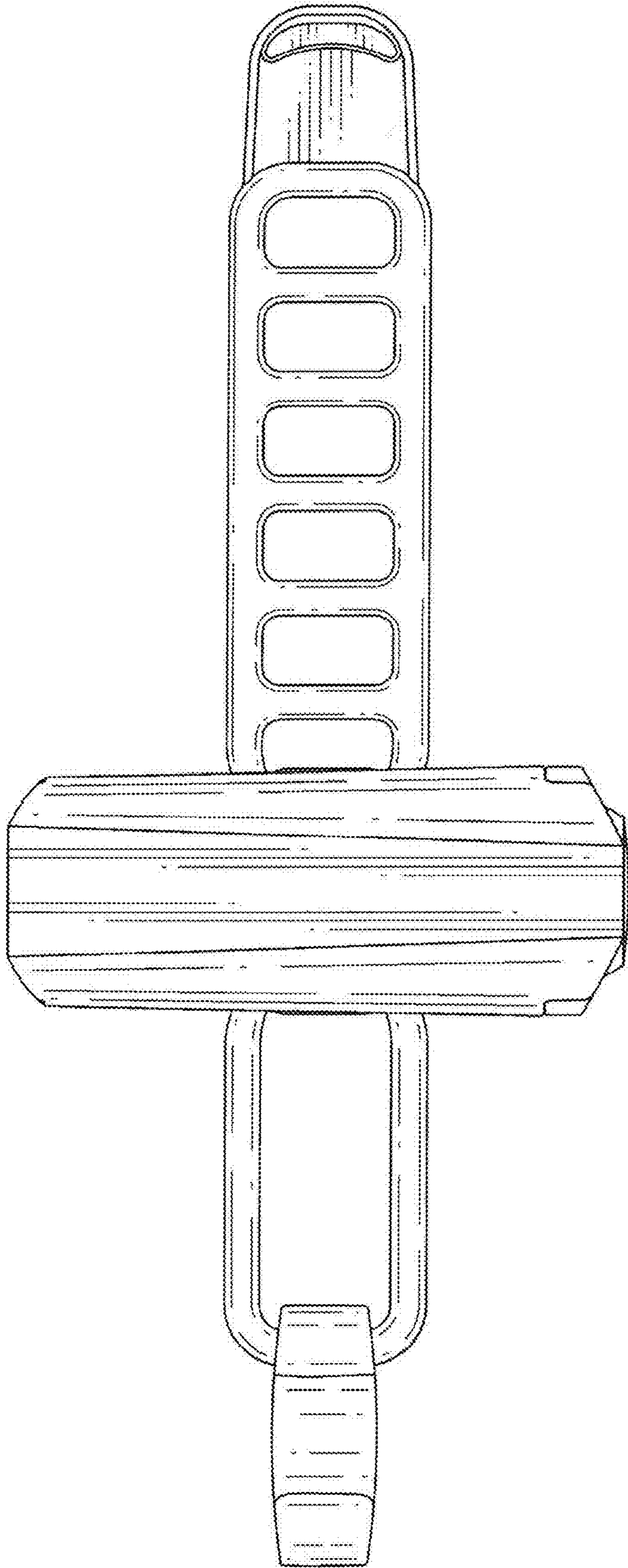


Fig. 4

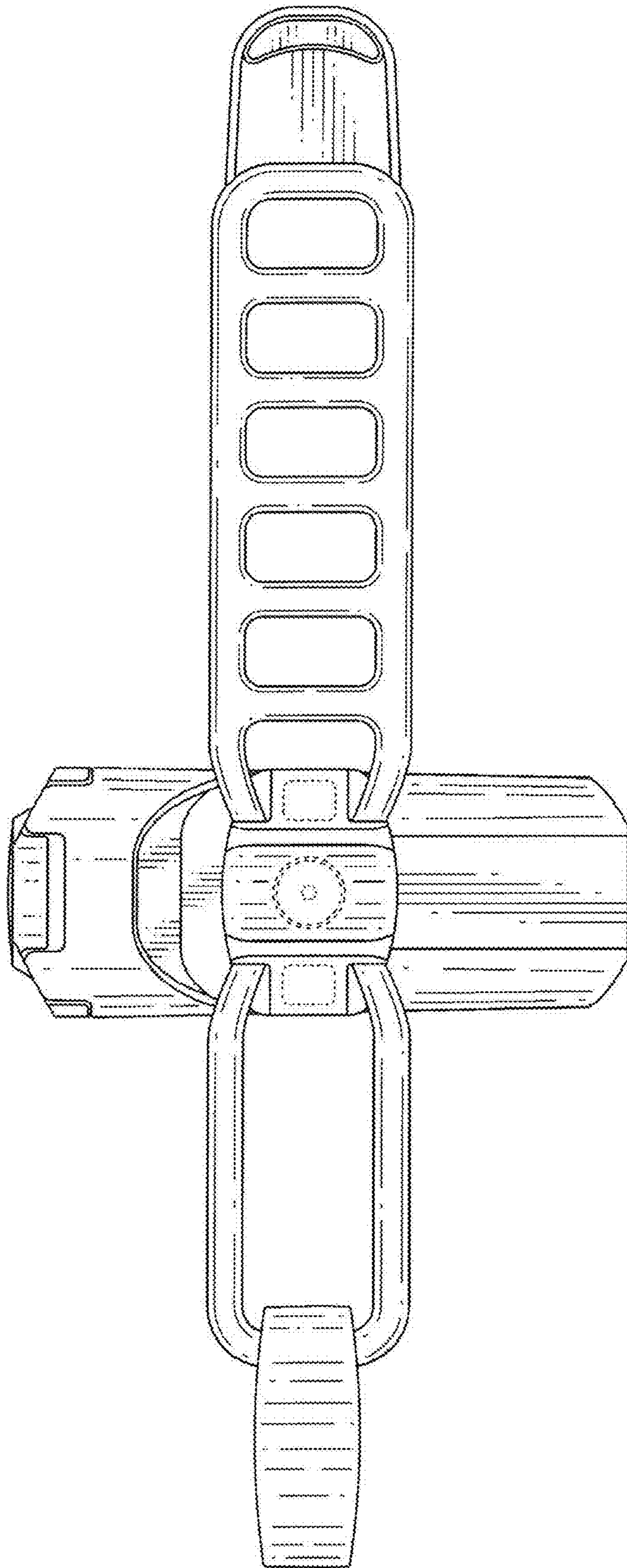


Fig. 5

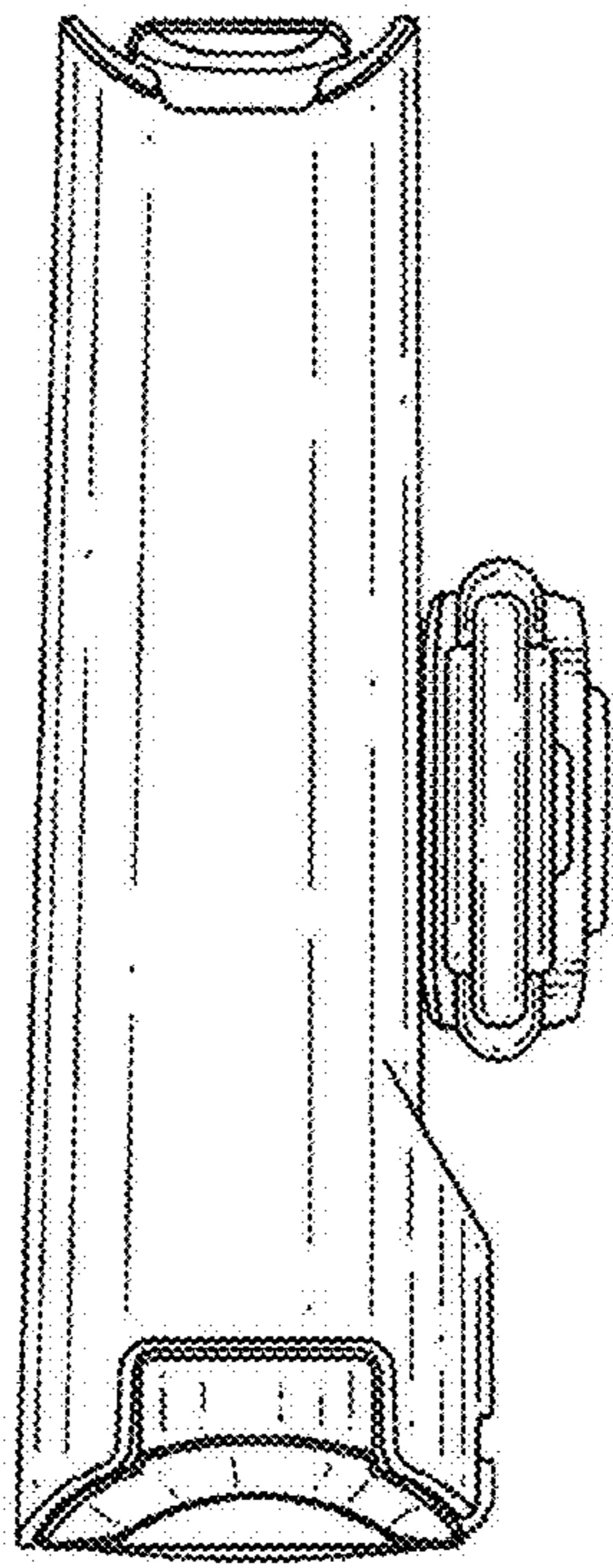


Fig. 6

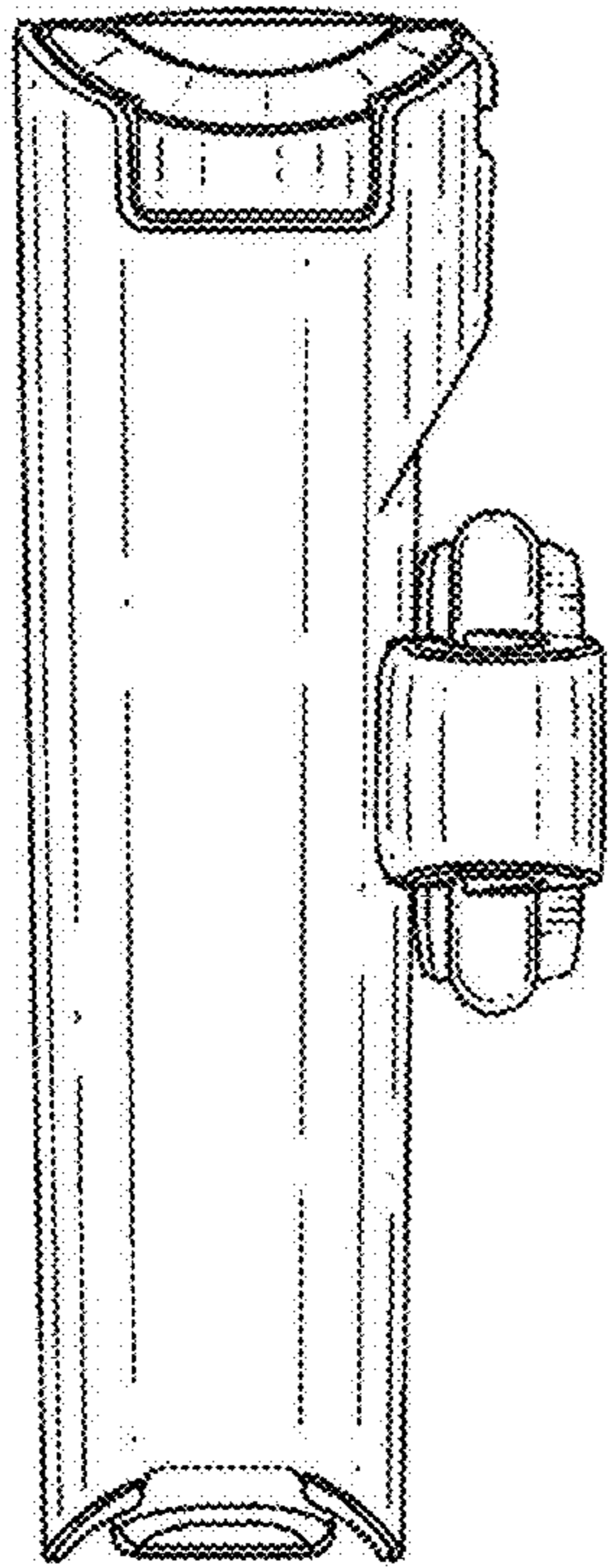


Fig. 7