



US00D866028S

(12) **United States Design Patent** (10) **Patent No.:** **US D866,028 S**
Czarnik (45) **Date of Patent:** **** Nov. 5, 2019**

(54) **AREA LIGHT**
(71) Applicant: **BLACK & DECKER INC.**, New Britain, CT (US)
(72) Inventor: **Cory Czarnik**, Baltimore, MD (US)
(73) Assignee: **Black & Decker Inc.**, New Britain, CT (US)

D436,679 S * 1/2001 Leen D26/65
6,328,460 B1 12/2001 Grossman et al.
6,394,631 B1 5/2002 Yuen
D486,261 S 2/2004 Tsai
D505,220 S 5/2005 Stekelenburg
6,902,303 B2 6/2005 Lee
6,966,669 B2 11/2005 Hussaini et al.
D514,248 S 1/2006 Rhee

(Continued)

(**) Term: **15 Years**
(21) Appl. No.: **29/644,400**

(22) Filed: **Apr. 17, 2018**

(51) **LOC (12) Cl.** **26-02**

(52) **U.S. Cl.**
USPC **D26/37**

(58) **Field of Classification Search**
USPC D12/86, 90-92, 114, 163, 169, 171-173,
D12/181, 190, 196, 197, 199, 400;
D17/1, 222; D26/28-36, 139
CPC .. B62J 6/02; B62J 6/00; B60Q 3/0279; B60Q
3/104; B60Q 3/10408; B60Q 3/10466;
B60Q 3/12653; B60Q 3/128; F21S 48/00;
F21S 48/10; F21S 48/115; F21S 48/225;
F21S 48/1233; F21S 48/1266; F21S
48/1388; F21S 48/2268; F21V 21/04
See application file for complete search history.

(56) **References Cited**

U.S. PATENT DOCUMENTS

2,525,163 A 10/1950 Zadig
4,148,094 A 4/1979 Bennett
4,530,040 A 7/1985 Petterson
4,709,305 A 11/1987 McMahan et al.
D388,209 S 12/1997 Grossman et al.
5,695,278 A 12/1997 Grossman et al.
5,768,830 A 6/1998 Kelly
D403,094 S * 12/1998 Grossman D26/63
6,050,710 A 4/2000 Grossman et al.
D428,186 S 7/2000 Leen

OTHER PUBLICATIONS

Pictures of Prior Art Porter Cable 20V max cordless LED flashlight PCCL500B from <https://www.portercable.com/products/power-tools/job-site-equipment/20v-max-cordless-led-task-light/pcc/500b>; accessed May 3, 2018.

(Continued)

Primary Examiner — Philip S Hyder
Assistant Examiner — Cary M Robinson
(74) *Attorney, Agent, or Firm* — Stephen R. Valancius

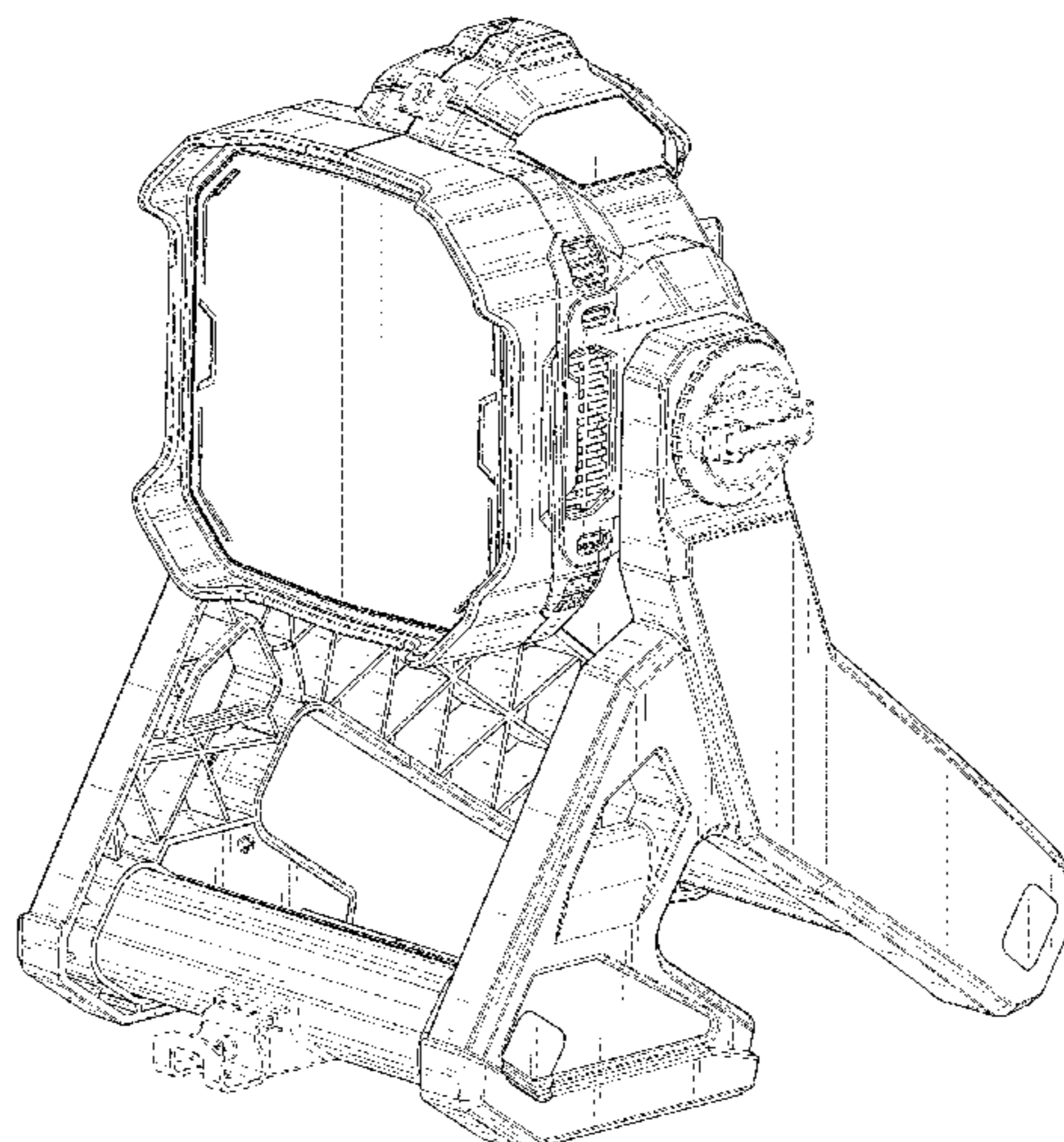
(57) **CLAIM**

The ornamental design for an area light, as shown and described.

DESCRIPTION

FIG. 1 is a front perspective view of an area light showing my new design;
FIG. 2 is a rear perspective view of an area light showing my new design;
FIG. 3 is a front view thereof
FIG. 4 is a rear view thereof;
FIG. 5 is a right side view thereof;
FIG. 6 is a left side view thereof;
FIG. 7 is a top plan view thereof; and,
FIG. 8 is a bottom plan view thereof.
The broken lines and the areas within the broken lines illustrate portions of the area light in which the design is embodied and form no part of the claimed design.

1 Claim, 8 Drawing Sheets



(56)

References Cited

U.S. PATENT DOCUMENTS

D528,697 S 9/2006 Lee
 D549,859 S * 8/2007 Kovacik D26/37
 D570,024 S 5/2008 Guercio
 7,387,412 B2 6/2008 Tsai
 7,440,026 B2 10/2008 Sousa
 7,461,957 B2 12/2008 Thompson et al.
 7,553,051 B2 6/2009 Brass et al.
 7,563,001 B2 7/2009 Bobbin et al.
 7,618,153 B2 11/2009 O'Hern
 7,621,652 B2 11/2009 Zick
 D612,969 S * 3/2010 Schoch D26/50
 8,007,145 B2 8/2011 Leen
 D645,594 S 9/2011 Grawe
 D666,345 S * 8/2012 Wang D26/63
 9,091,402 B2 7/2015 Weber et al.
 9,157,585 B2 10/2015 Weber et al.
 D744,139 S 11/2015 Itoh et al.
 D747,526 S 1/2016 Zhang et al.
 D761,473 S 7/2016 Zhang et al.
 D779,094 S 2/2017 Xu et al.
 D780,969 S * 3/2017 Zhu D26/63
 D803,449 S * 11/2017 Xu D26/63

D841,853 S * 2/2019 Wu D26/63
 D844,207 S * 3/2019 Zhang D26/63
 D845,529 S * 4/2019 Koshiba D26/63
 D850,688 S * 6/2019 Yang D26/63
 2004/0179361 A1 9/2004 Hussaini et al.
 2005/0213337 A1 9/2005 Lee et al.
 2007/0221797 A1 9/2007 Thompson et al.
 2007/0223237 A1 9/2007 Thompson et al.
 2009/0097250 A1 4/2009 Leasure et al.
 2012/0091917 A1 4/2012 Vinther et al.
 2014/0085876 A1 3/2014 Fields et al.
 2014/0313706 A1 10/2014 Itoh et al.
 2015/0198310 A1 7/2015 Scarlata et al.
 2016/0312967 A1 10/2016 Harvey et al.

OTHER PUBLICATIONS

Pictures of Prior Art of Sunforce 82156-60 LED Solar Motion Light from https://www.amazon.com/Sunforce-82156-60-LED-Solar-Motion/dp/B0052SF0LO/ref=sr_1_1?ie=UTF8&qid=1525464710&sr=8-1&keywords=sunforce+solar+light+82156 ; accessed May 4, 2018; date first available: May 27, 2011.

* cited by examiner

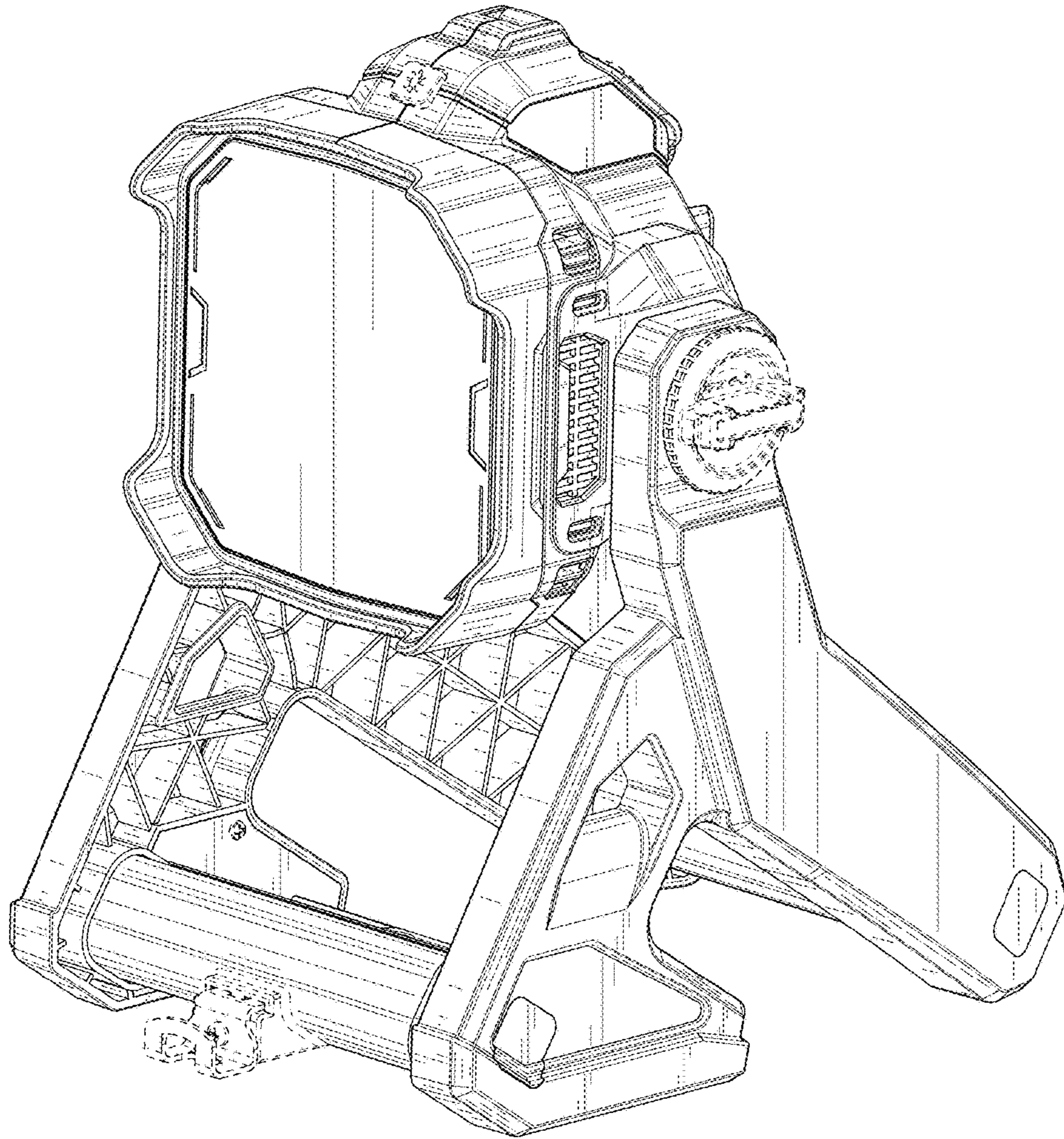


FIG. 1

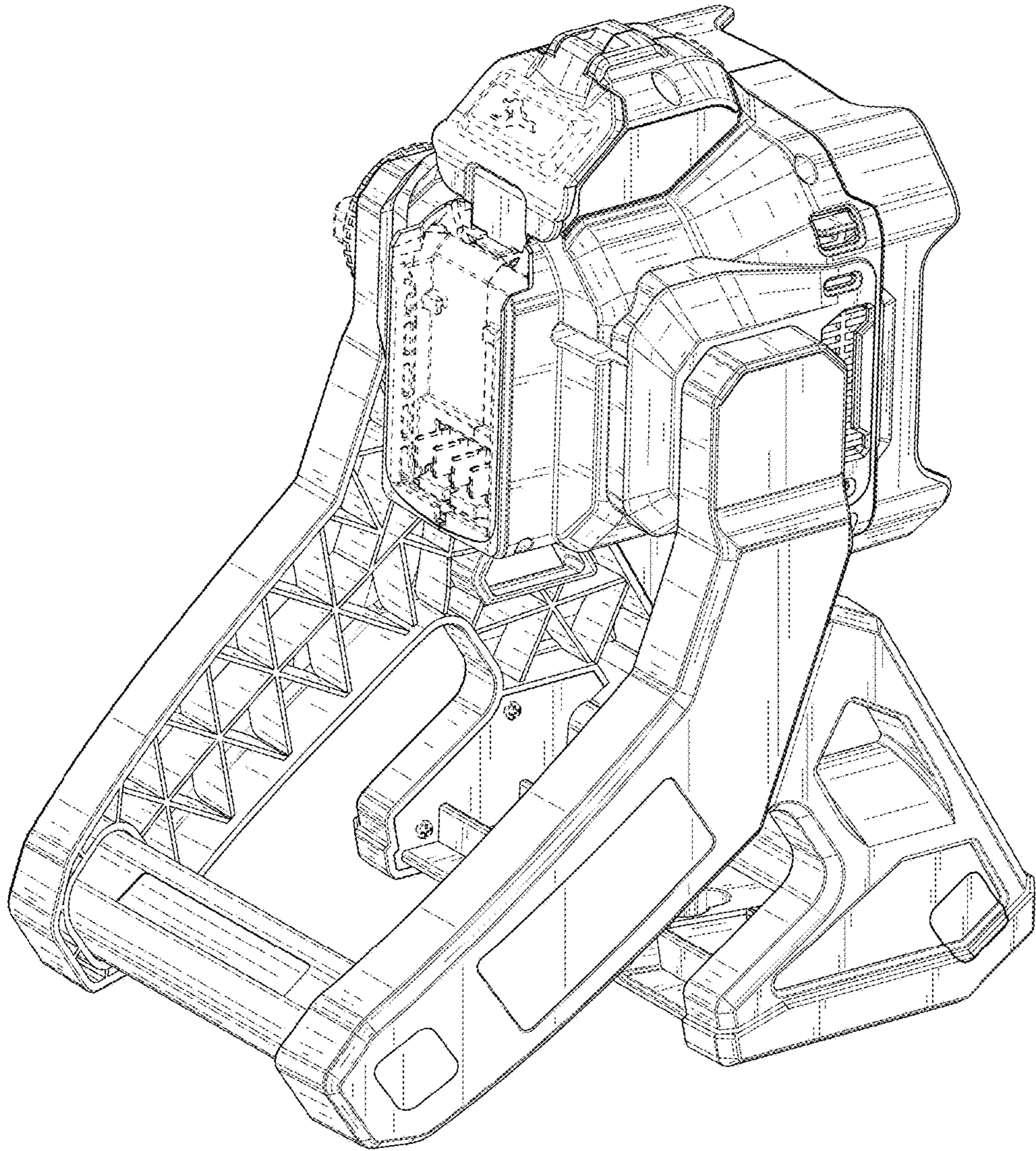


FIG. 2

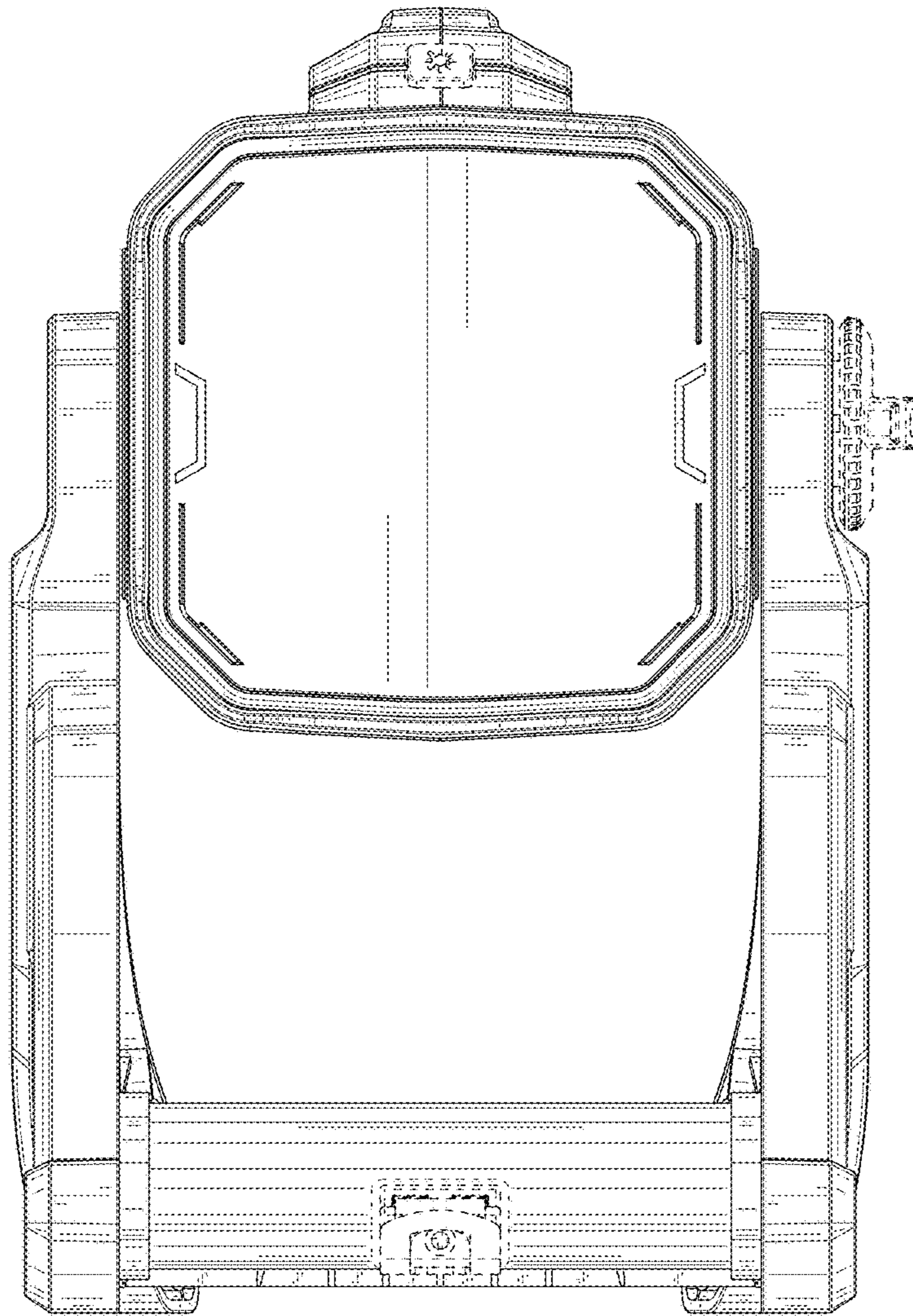


FIG. 3

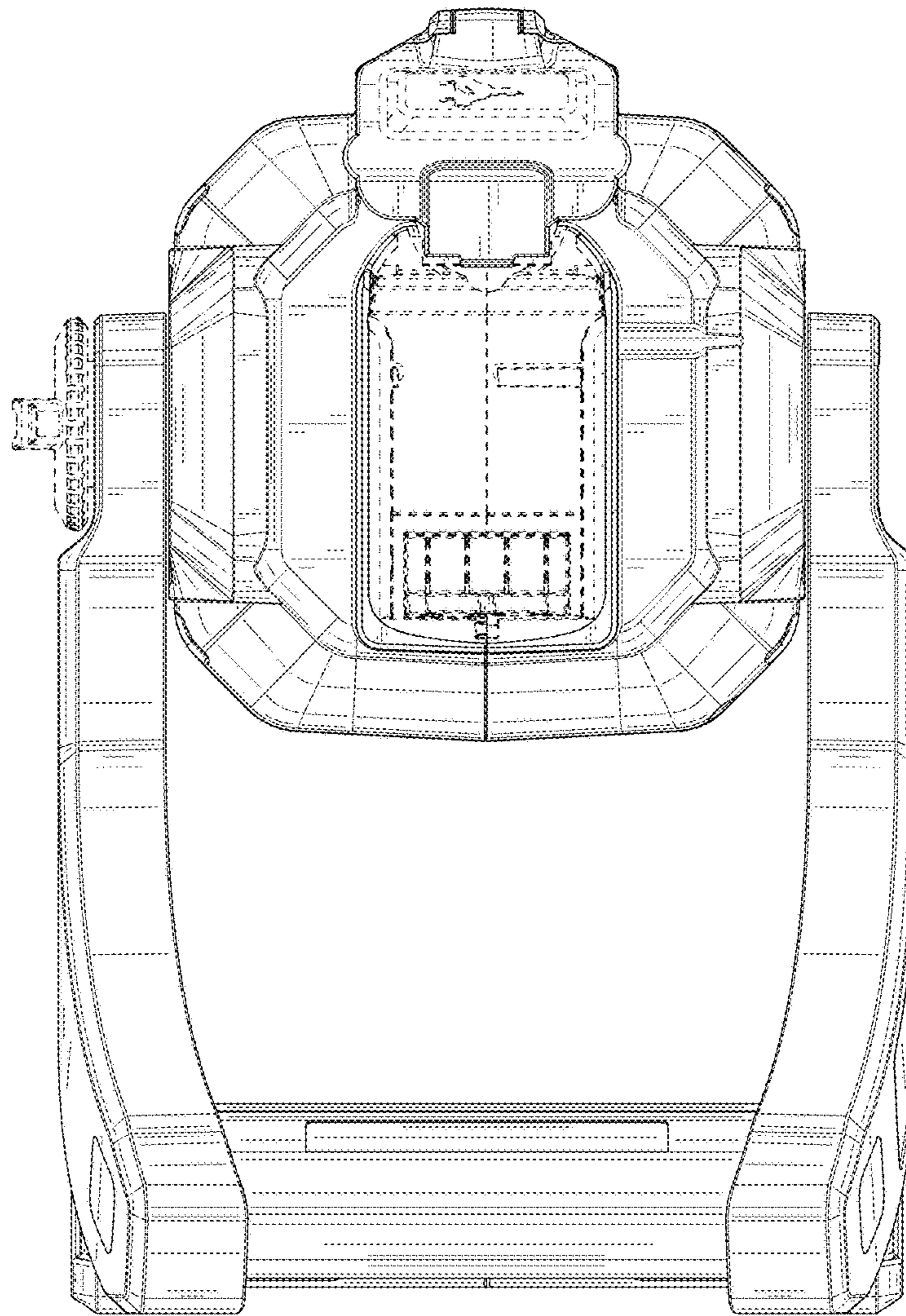


FIG. 4

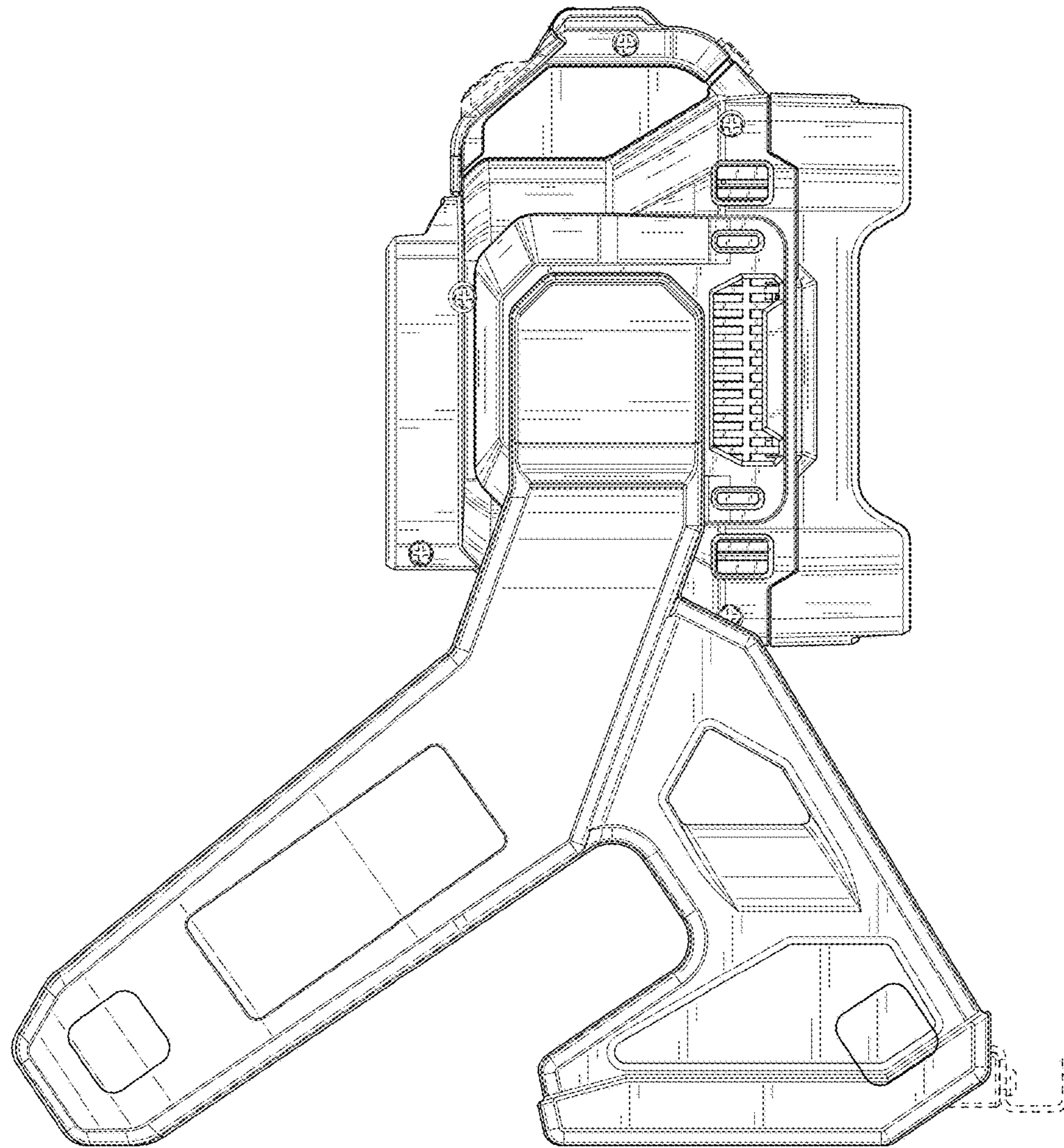


FIG. 5

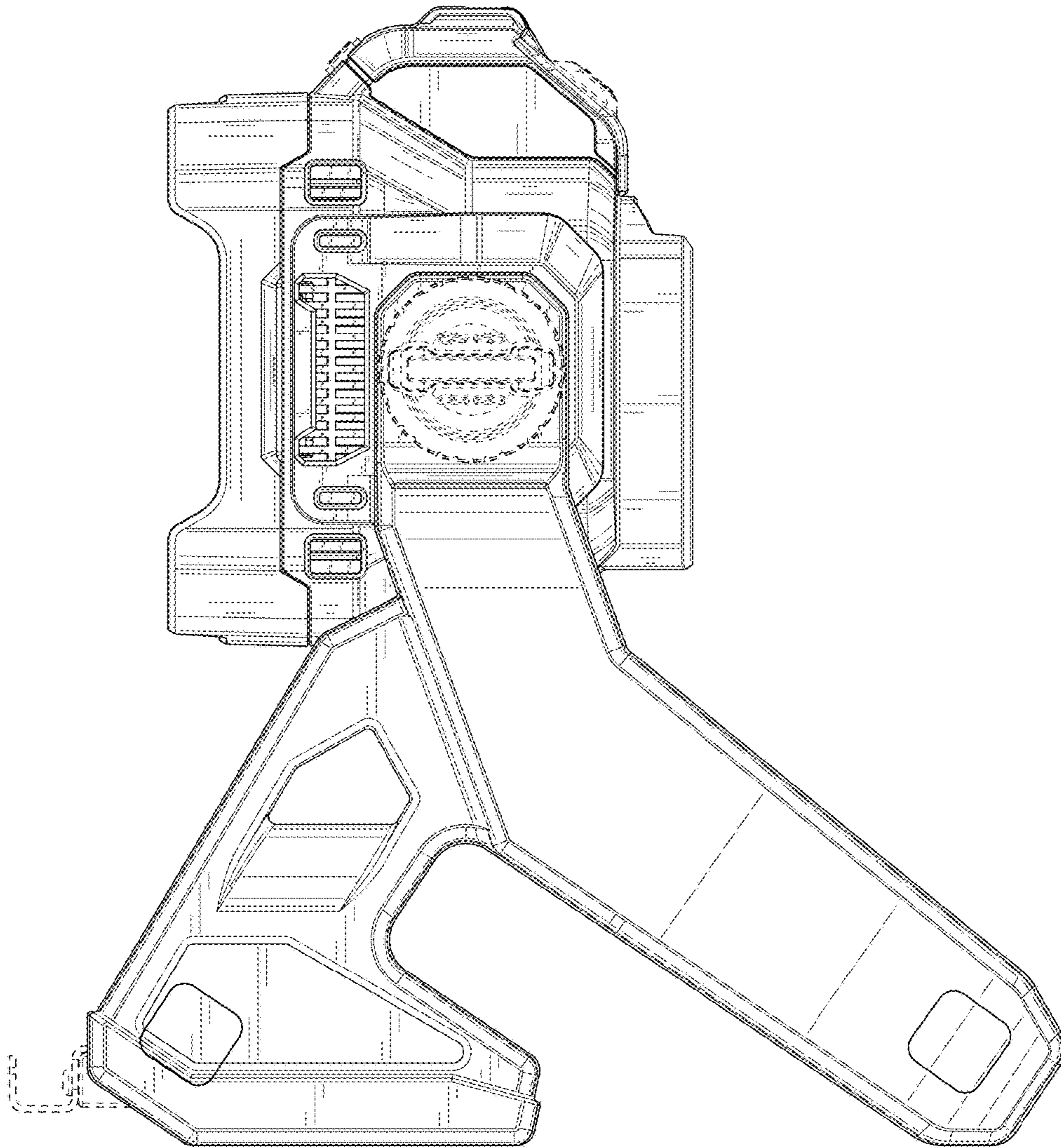


FIG. 6

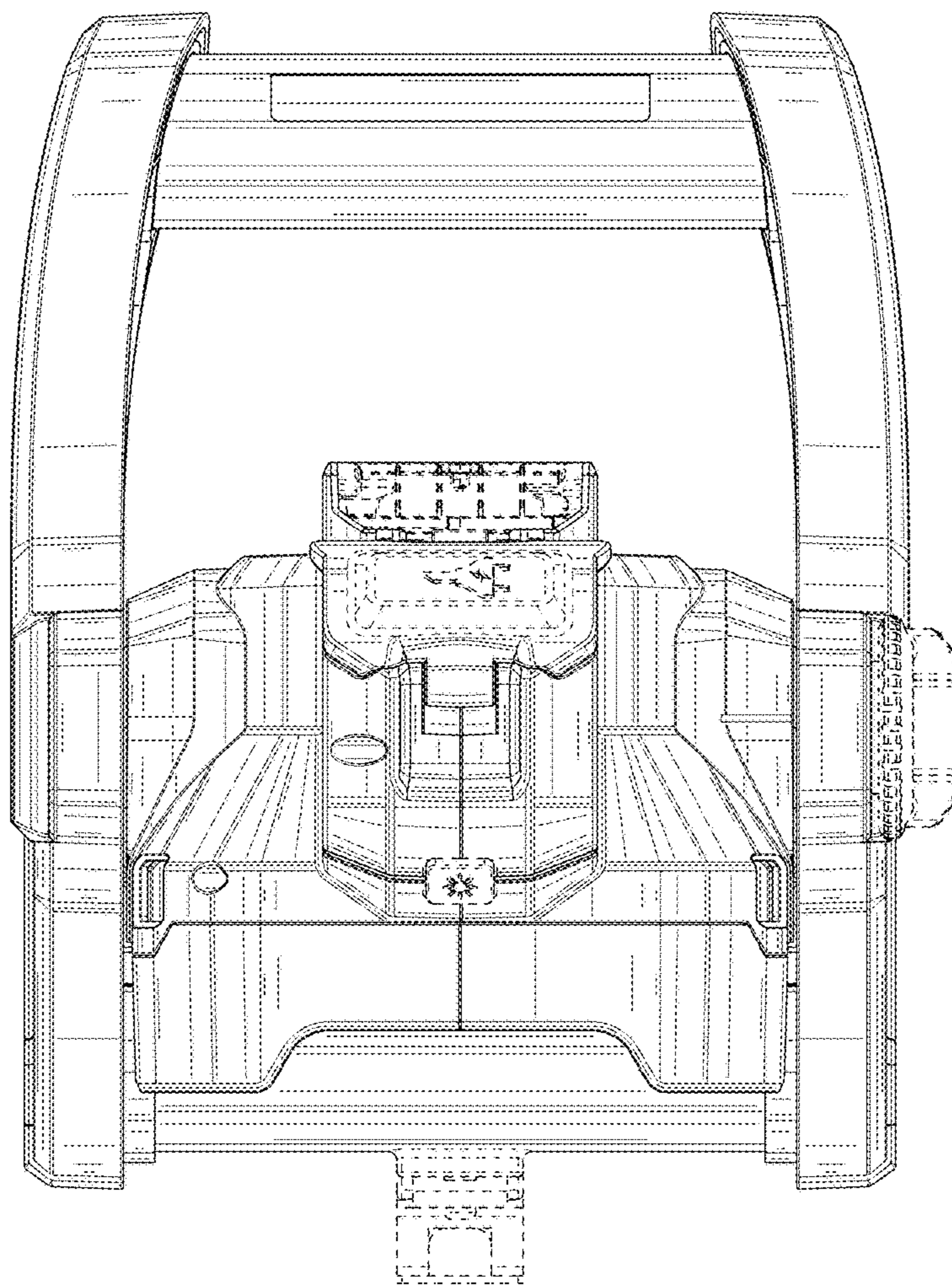


FIG. 7

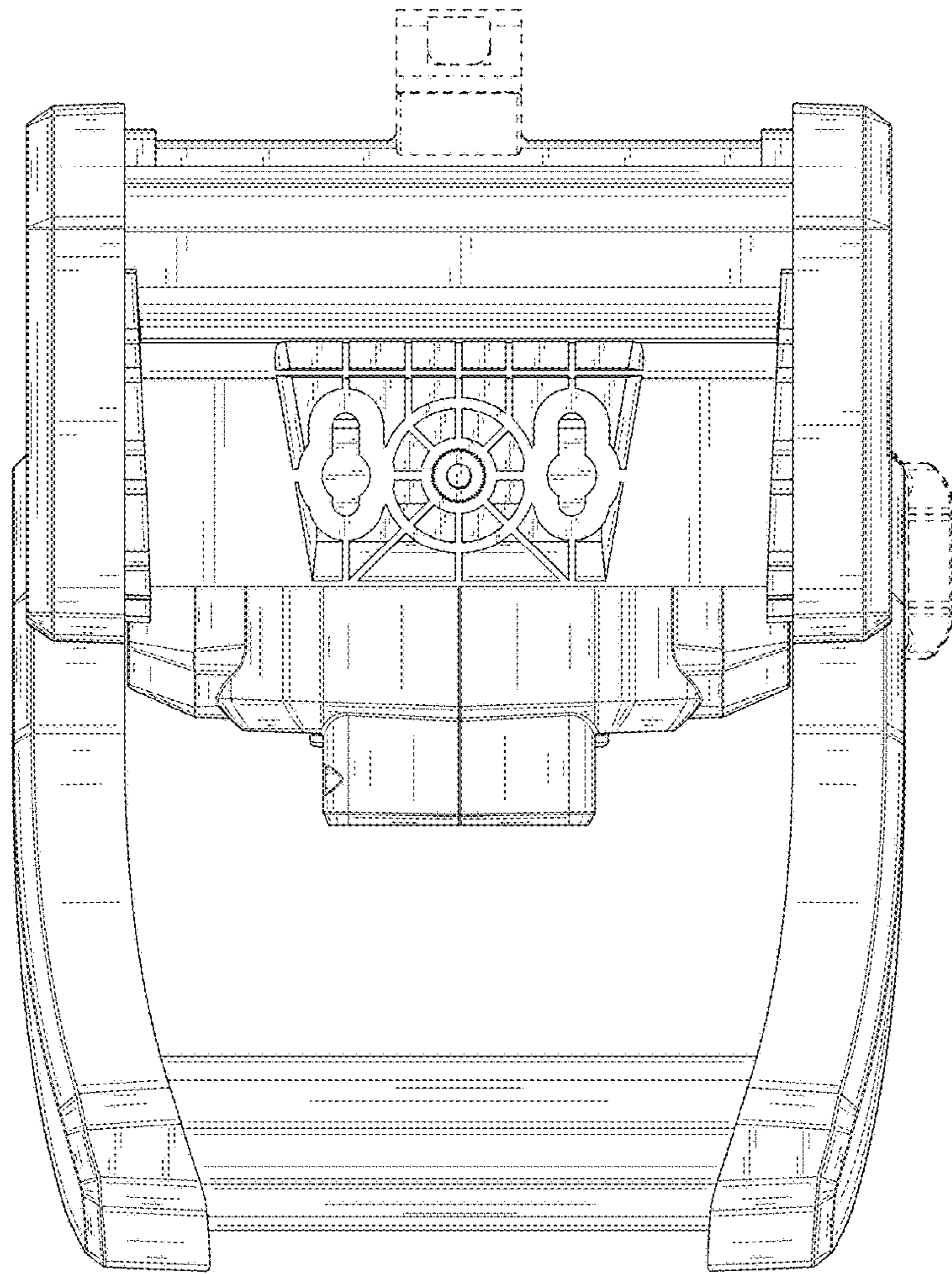


FIG. 8