

US00D866027S

(12) **United States Design Patent** (10) **Patent No.:** **US D866,027 S**
Cacciabeve (45) **Date of Patent:** **** Nov. 5, 2019**

(54) **PORTABLE LIGHT**
(71) Applicant: **Walter R. Tucker Enterprises, Ltd.**,
Deposit, NY (US)
(72) Inventor: **Robert Cacciabeve**, Boonton, NJ (US)
(73) Assignee: **Walter R. Tucker Enterprises, Ltd.**,
Deposit, NY (US)
(**) Term: **15 Years**
(21) Appl. No.: **29/542,750**
(22) Filed: **Oct. 16, 2015**
(51) **LOC (12) Cl.** **26-02**
(52) **U.S. Cl.**
USPC **D26/37**
(58) **Field of Classification Search**
USPC D26/60, 65, 37, 38, 40, 42, 46, 51
CPC F21L 2003/00; F21L 4/00; F21L 4/005;
F21L 4/02; F21L 4/025; F21L 4/027;
F21L 4/04; F21L 4/08; F21L 2005/00;
F21L 7/00; F21L 11/00; F21L 13/00;
F21L 13/04; F21L 13/08; F21L 14/02;
F21L 17/00; F21L 19/00
See application file for complete search history.

D593,693 S * 6/2009 Adamany D26/37
D605,794 S * 12/2009 Engebrigtsen D26/37
D606,691 S 12/2009 Lindholm
D608,038 S * 1/2010 Chan D26/60
D608,938 S 1/2010 Schmitt et al.
D622,879 S * 8/2010 Kotsis D26/37
D629,131 S * 12/2010 Seal D26/60
D629,561 S 12/2010 Kim et al.
D630,374 S 1/2011 Leen
7,932,528 B2 4/2011 Tessnow
D643,138 S * 8/2011 Kawase D26/37
D654,387 S * 2/2012 Wilson D10/114.2
D659,867 S * 5/2012 Zhan D16/239
D665,522 S * 8/2012 Werner D26/37
D682,451 S * 5/2013 Hardy D26/60
D693,500 S * 11/2013 Souvay D26/44
D695,434 S * 12/2013 Shen D26/41
D702,865 S 4/2014 Yuen
D703,355 S * 4/2014 Kotsis D26/37

(Continued)

Primary Examiner — Lakiya G Rogers
Assistant Examiner — Carissa C Fitts
(74) *Attorney, Agent, or Firm* — Breiner & Breiner,
L.L.C.

(57) **CLAIM**

The ornamental design for a portable light, as shown and described.

DESCRIPTION

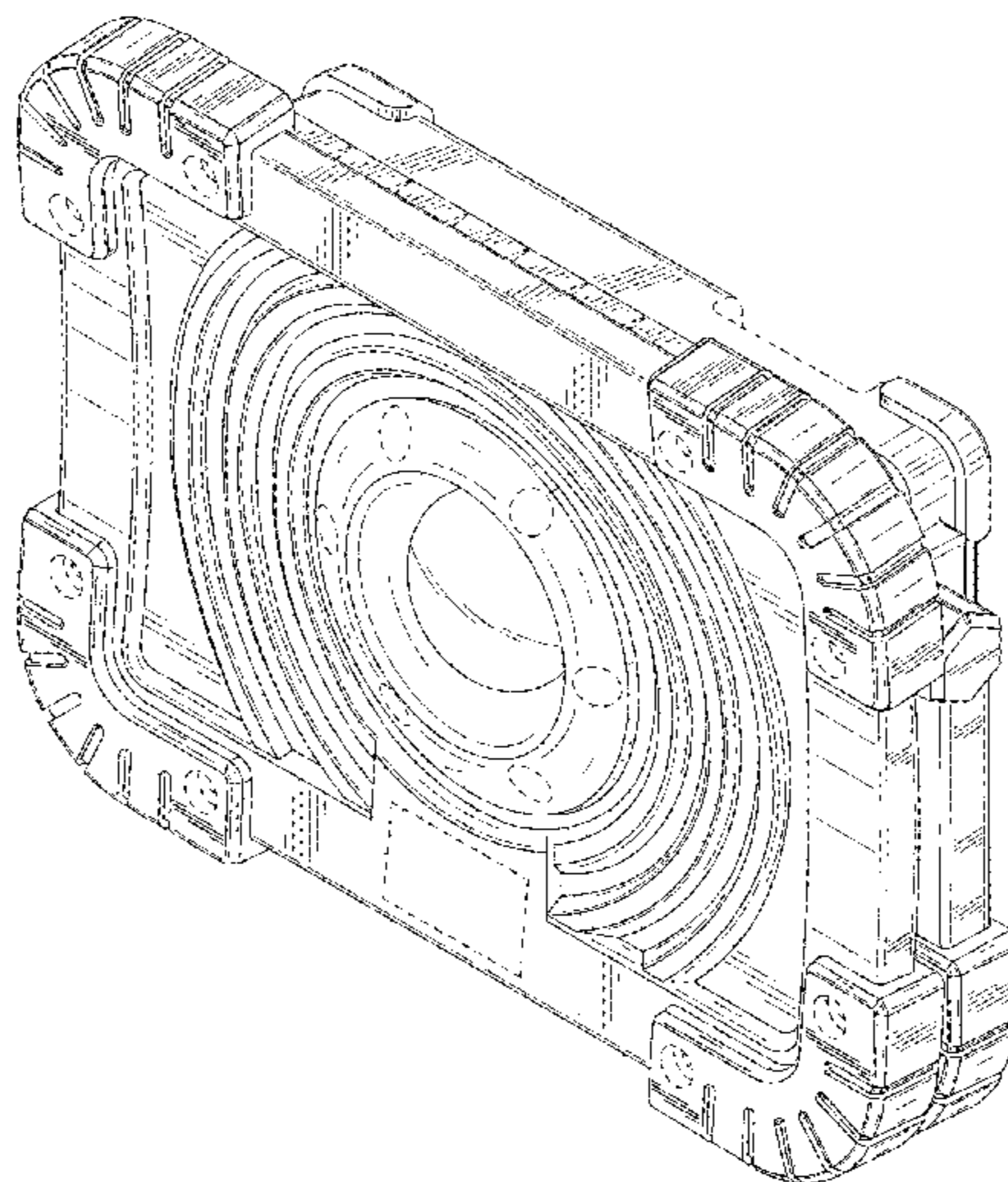
FIG. 1 is a front/side elevational perspective view of the portable light;
FIG. 2 is a front view of the light;
FIG. 3 is a rear view of the light;
FIG. 4 is a first side view of the light;
FIG. 5 is a second side view of the light;
FIG. 6 is a top view of the light; and,
FIG. 7 is a bottom end view of the light.
The broken lines show portions of the article not claimed and form no part of the claim design.

1 Claim, 5 Drawing Sheets

(56) **References Cited**

U.S. PATENT DOCUMENTS

D217,638 S 5/1970 Magi
D316,305 S 4/1991 Court
5,469,345 A 11/1995 Petersen et al.
5,720,543 A 2/1998 Sheps
D438,667 S 3/2001 Leen
D441,491 S 5/2001 Leen
D469,212 S 1/2003 Chiu
6,629,771 B2 10/2003 Chiu
D544,388 S * 6/2007 Chisholm D10/114.2
D553,771 S * 10/2007 Watson D26/37
D593,236 S * 5/2009 Ng D26/37
D593,238 S * 5/2009 Allen D26/37



(56)

References Cited

U.S. PATENT DOCUMENTS

D703,356	S *	4/2014	Grandadam	D26/44
D706,478	S	6/2014	Yuen	
D731,988	S	6/2015	Urtiga et al.	
D732,220	S	6/2015	Bao	
D734,886	S *	7/2015	Lazalier	D26/63
D735,387	S *	7/2015	Bao	D26/63
D736,442	S *	8/2015	Kovacik	D26/37
D737,491	S *	8/2015	Shen	D26/50
D738,022	S	9/2015	Shen	
D742,058	S	10/2015	Chen	
D744,139	S	11/2015	Itoh et al.	
D748,448	S	2/2016	Nelson	
D754,900	S *	4/2016	Mumma	D26/60
D756,014	S *	5/2016	Bao	D26/65
D763,492	S *	8/2016	Bryant	D26/37
2006/0087846	A1	4/2006	Yuen	
2006/0146523	A1 *	7/2006	Yuen	F21L 14/026 362/183
2006/0193127	A1 *	8/2006	Kumthampinij	F21L 4/06 362/200
2007/0115674	A1	5/2007	Tessnow	
2013/0241435	A1	9/2013	Lamvik et al.	
2014/0126192	A1	5/2014	Ancona et al.	
2014/0313706	A1	10/2014	Itoh et al.	
2015/0131276	A1 *	5/2015	Thompson	F21L 4/025 362/191
2015/0263239	A1	9/2015	Watanabe	

* cited by examiner

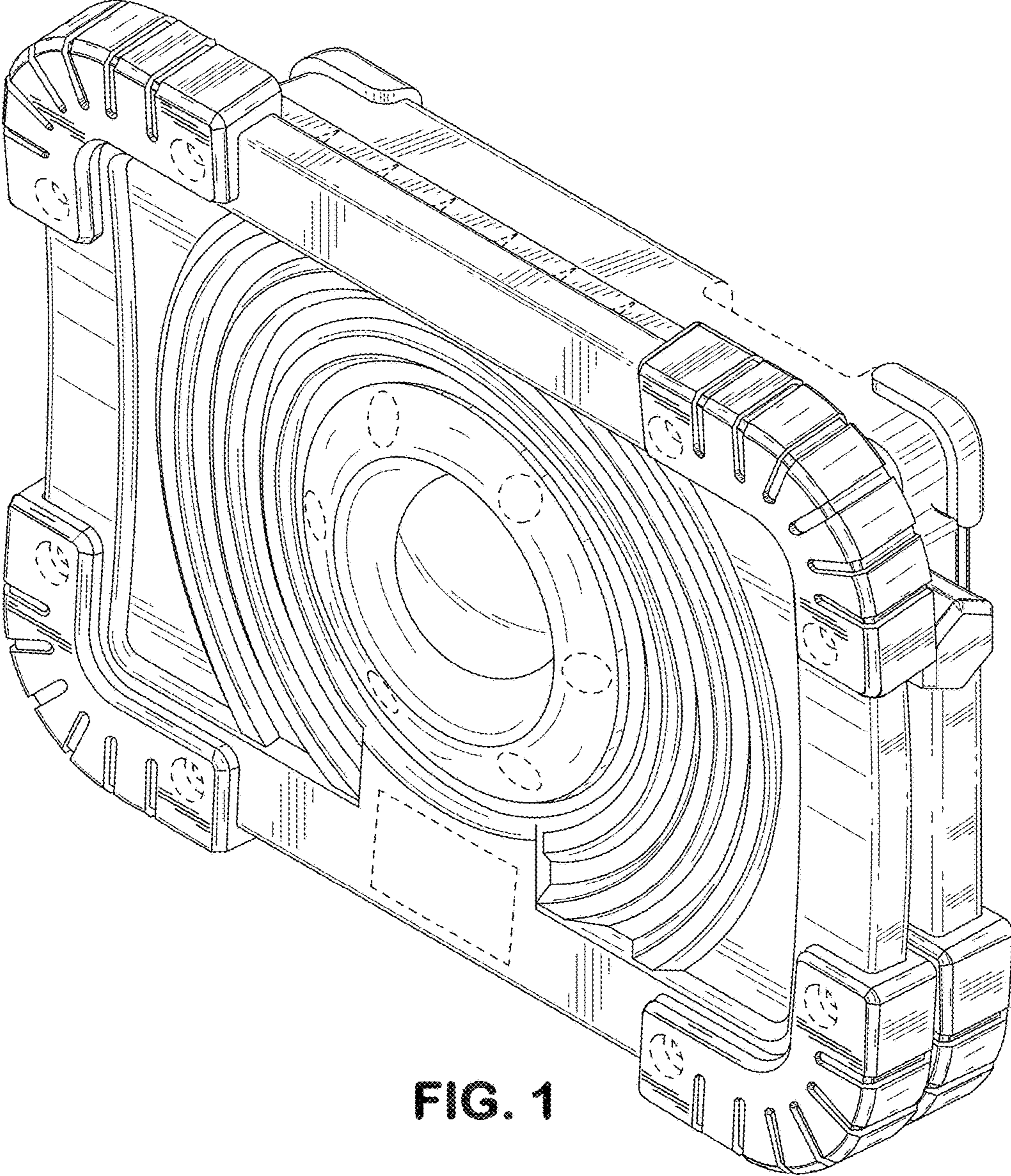


FIG. 1

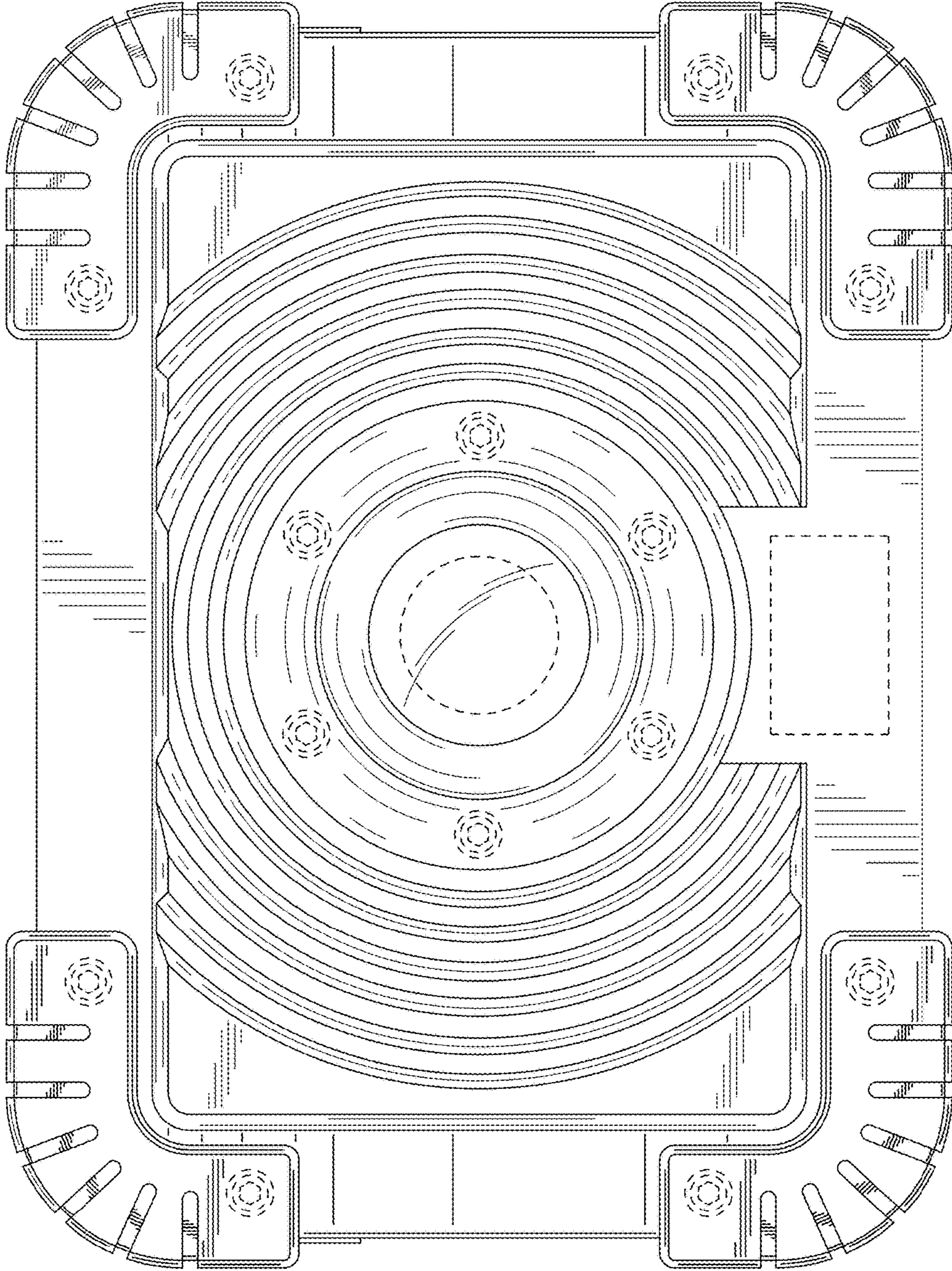


FIG. 2

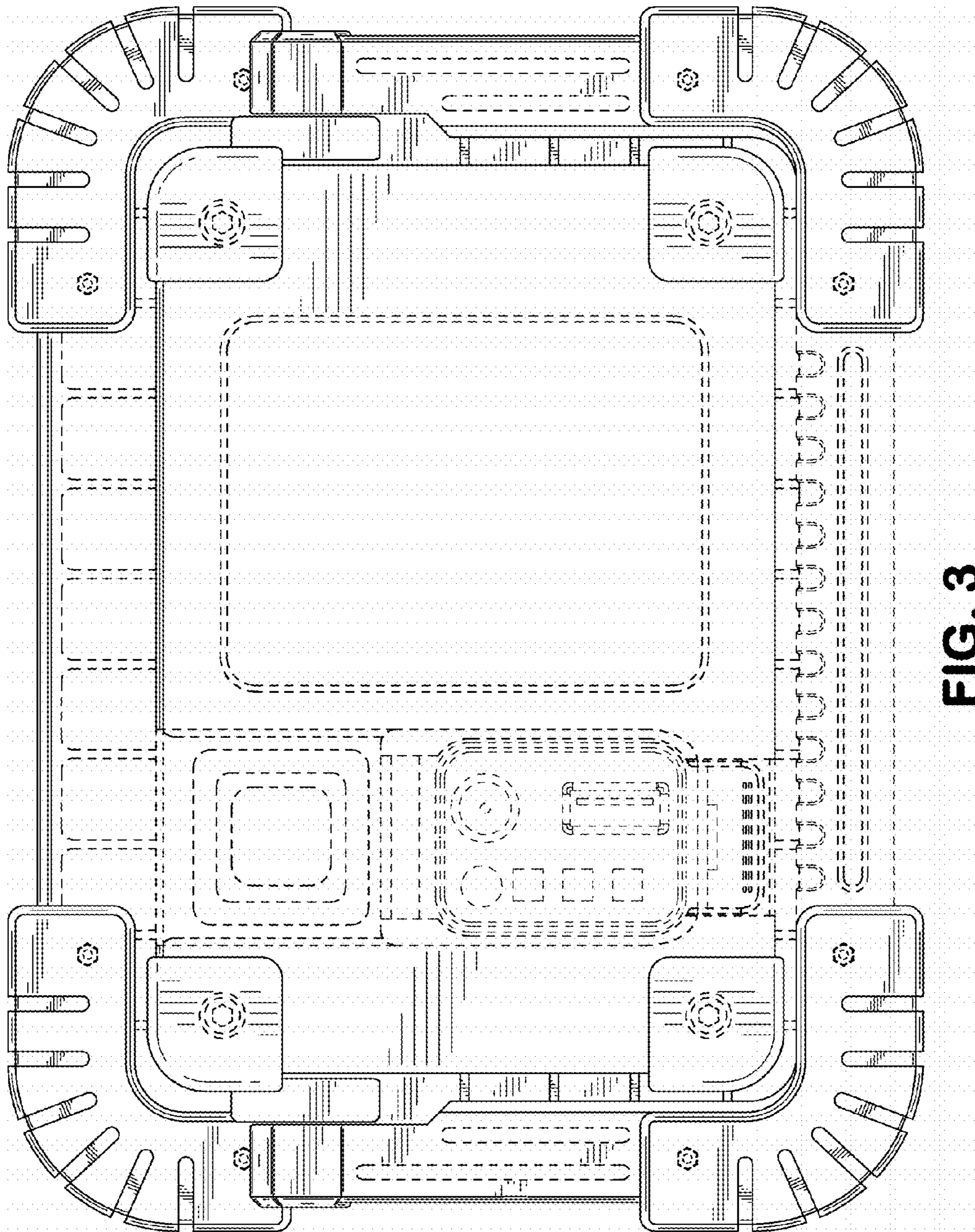


FIG. 3

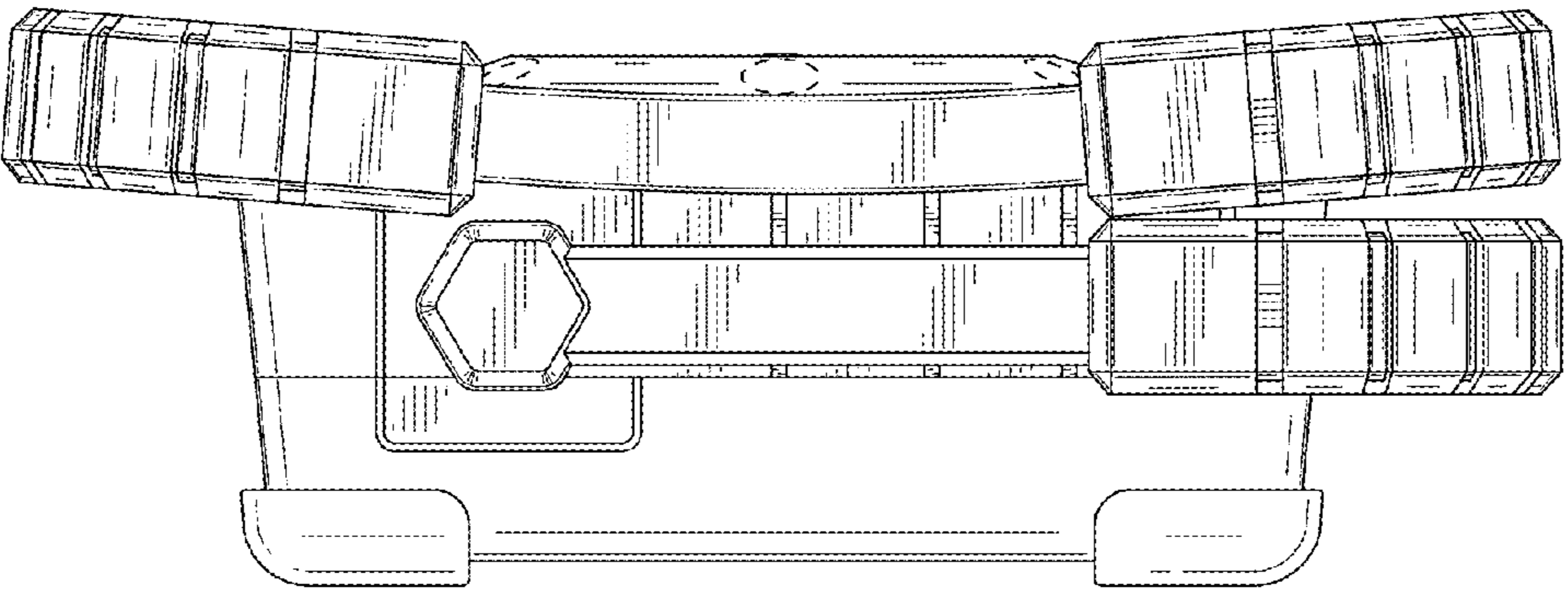


FIG. 5

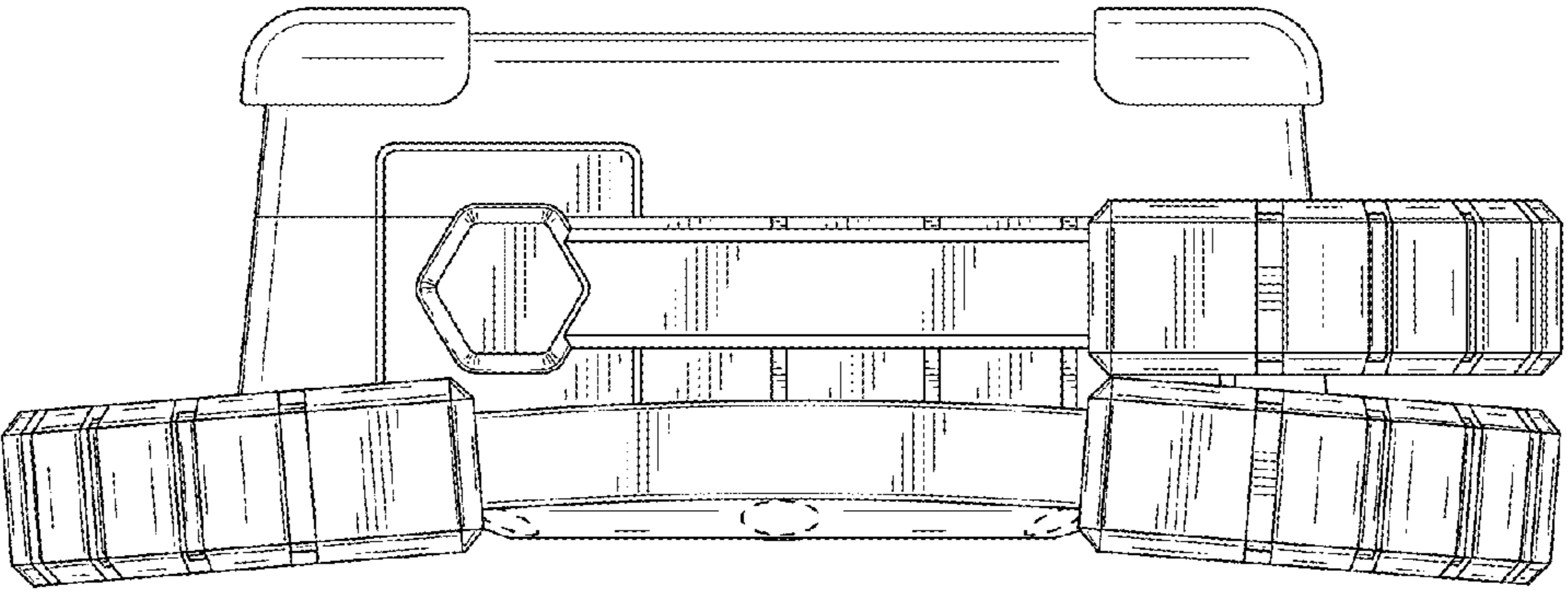


FIG. 4

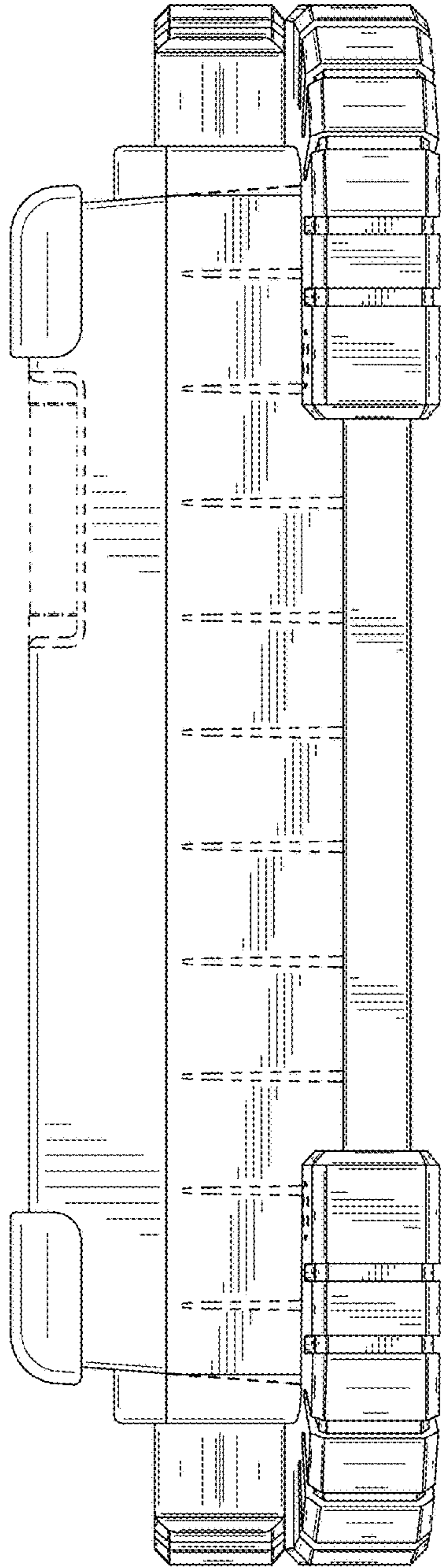


FIG. 6

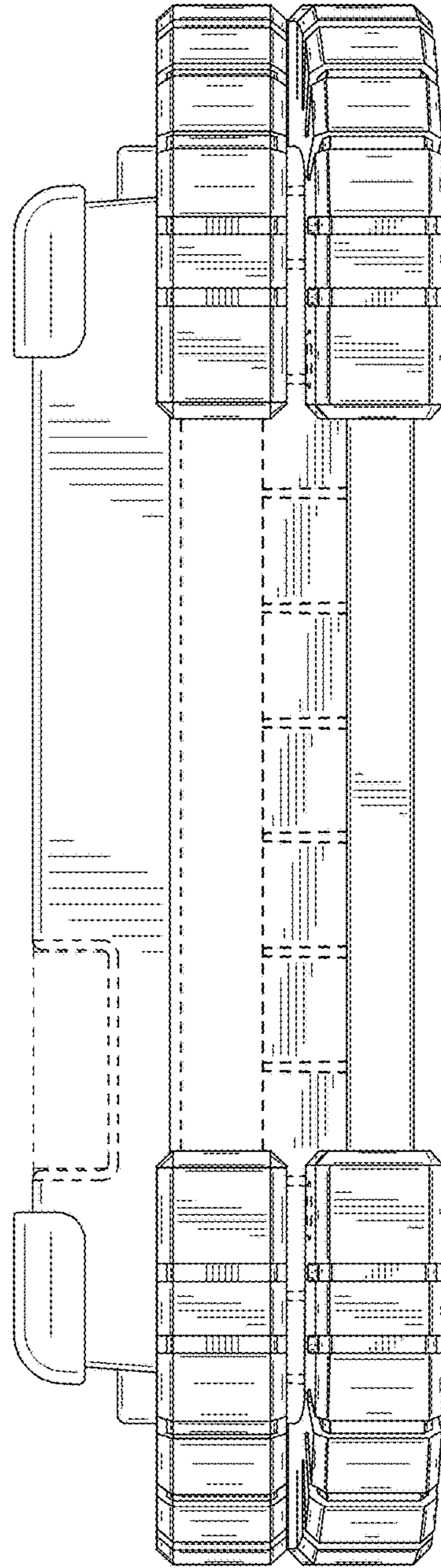


FIG. 7