



US00D866026S

(12) **United States Design Patent** (10) **Patent No.:** **US D866,026 S**
Hannemann (45) **Date of Patent:** **** Nov. 5, 2019**

(54) **TAILLIGHT FOR A VEHICLE**
(71) Applicant: **Bayerische Motoren Werke Aktiengesellschaft, Munich (DE)**
(72) Inventor: **Lisa Hannemann, Munich (DE)**
(73) Assignee: **Bayerische Motoren Werke Aktiengesellschaft, Munich (DE)**

(**) Term: **15 Years**

(21) Appl. No.: **29/650,347**

(22) Filed: **Jun. 6, 2018**

(30) **Foreign Application Priority Data**

Dec. 13, 2017 (DE) 40 2017 101 347

(51) **LOC (12) Cl.** **26-07**

(52) **U.S. Cl.**
USPC **D26/28**

(58) **Field of Classification Search**
USPC D26/28, 29, 30, 31, 32, 33, 34, 35, 36;
362/459-468, 475-478, 485-487
CPC F21S 48/00; F21S 48/10; F21S 48/115;
F21S 48/225; F21S 48/1233; F21S
48/1266; F21S 48/1388; F21S 48/2268;
F21V 21/04

See application file for complete search history.

(56) **References Cited**

U.S. PATENT DOCUMENTS

D593,689 S 6/2009 Habib
D694,440 S * 11/2013 Johnson D26/28
D739,583 S * 9/2015 Forsgren D26/28
D755,420 S * 5/2016 Ko D26/28
D774,221 S * 12/2016 Lim D26/28
D819,243 S * 5/2018 Nakagawa D26/28
D824,056 S * 7/2018 Yoon D26/28

D827,889 S * 9/2018 Kang D26/35
D827,928 S * 9/2018 Kang D28/35
D828,935 S * 9/2018 Hochmuth D26/28
D832,477 S * 10/2018 Ha D26/28
D842,507 S * 3/2019 Kim D26/28
D842,508 S * 3/2019 Kim D26/28
D847,391 S * 4/2019 Pinazzo D26/28

FOREIGN PATENT DOCUMENTS

WO WO DM/069951 10/2008
WO WO DM/074766 5/2011

* cited by examiner

Primary Examiner — Angela J Lee

(74) *Attorney, Agent, or Firm* — Crowell & Moring LLP

(57) **CLAIM**

The ornamental design for a taillight for a vehicle, as shown and described.

DESCRIPTION

This application contains subject matter related to the following co-pending U.S. design patent applications:

Application Ser. No. 29/650,325, filed herewith and entitled "Vehicle, Toy, and/or Replicas Thereof";

Application Ser. No. 29/650,333 filed herewith and entitled "Vehicle, Toy, and/or Replicas Thereof"; and

Application Ser. No. 29/650,337, filed herewith and entitled "Vehicle, Toy, and/or Replicas Thereof".

FIG. 1 is a front view of a taillight for a vehicle according to the design;

FIG. 2 is a left, front perspective view thereof;

FIG. 3 is a right, front perspective view thereof;

FIG. 4 is a left side view thereof;

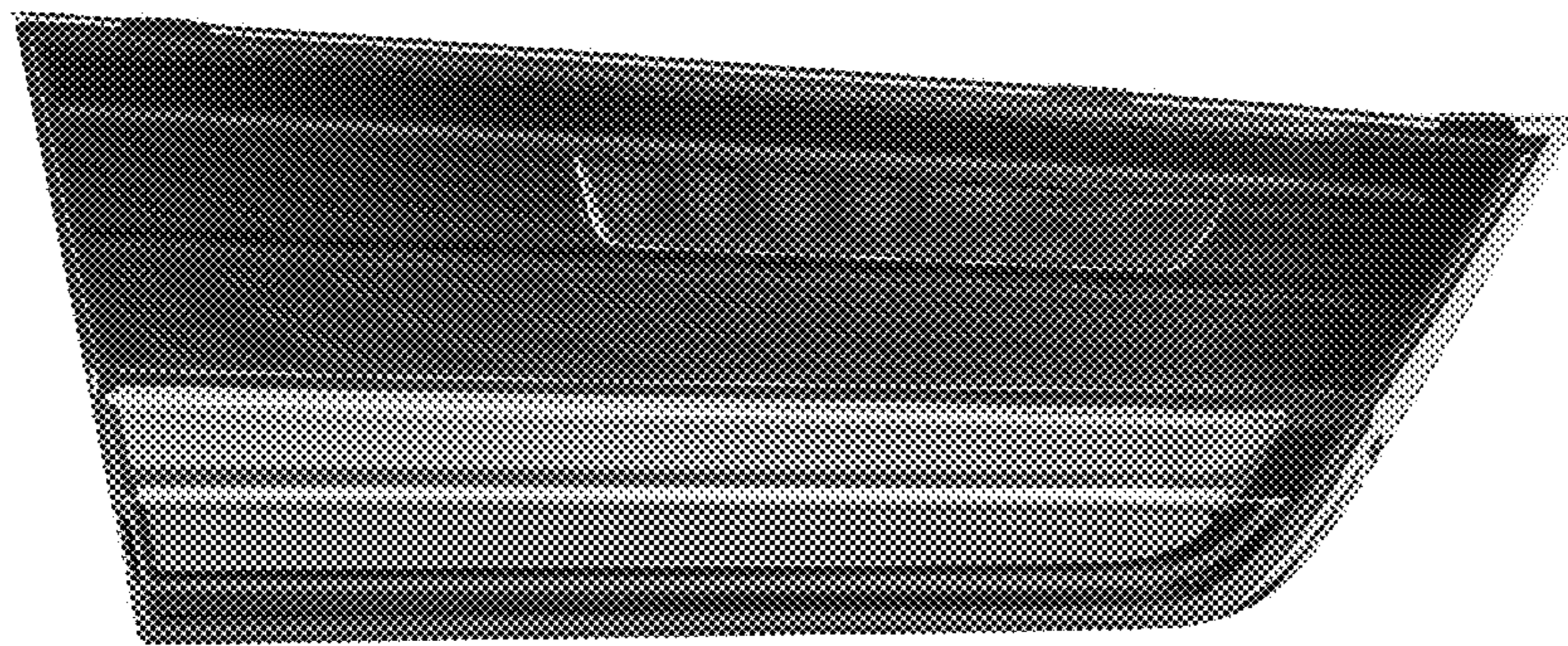
FIG. 5 is a right side view thereof;

FIG. 6 is a top view thereof;

FIG. 7 is a bottom view thereof; and,

FIG. 8 is a rear view thereof.

1 Claim, 8 Drawing Sheets



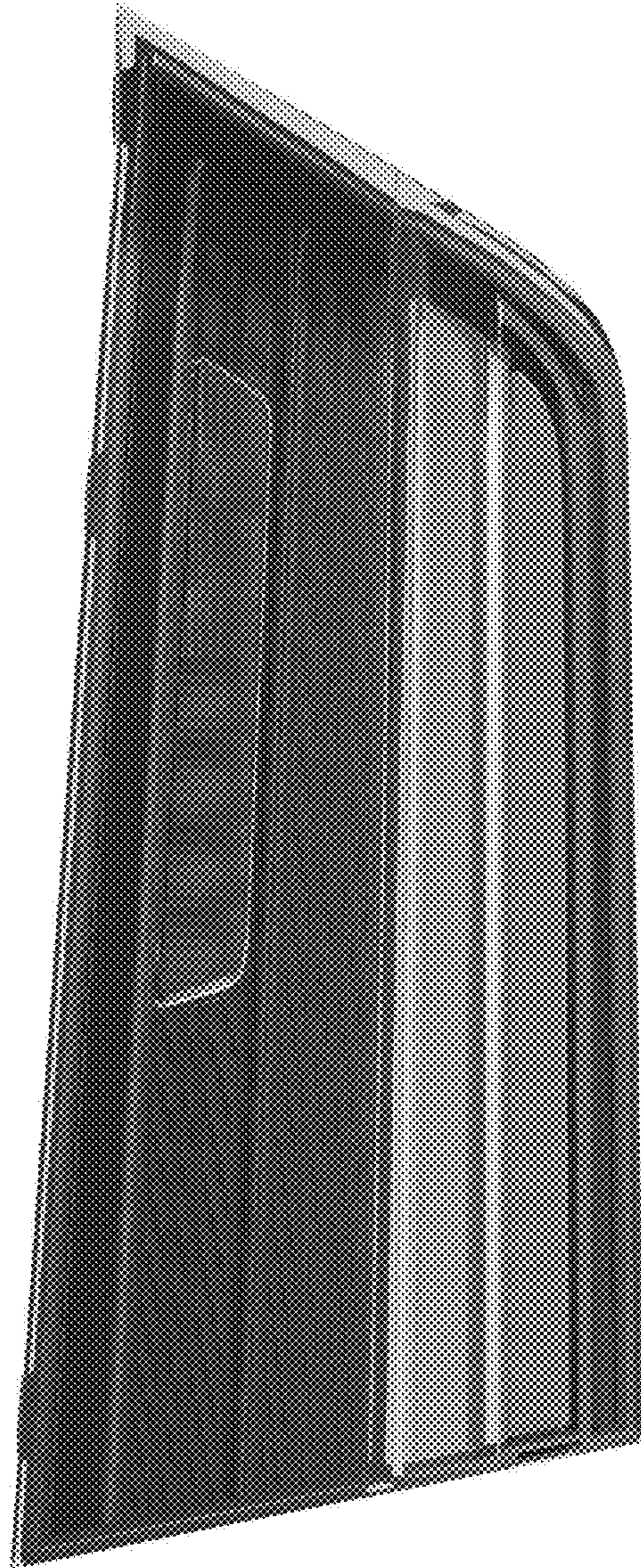


Fig. 1

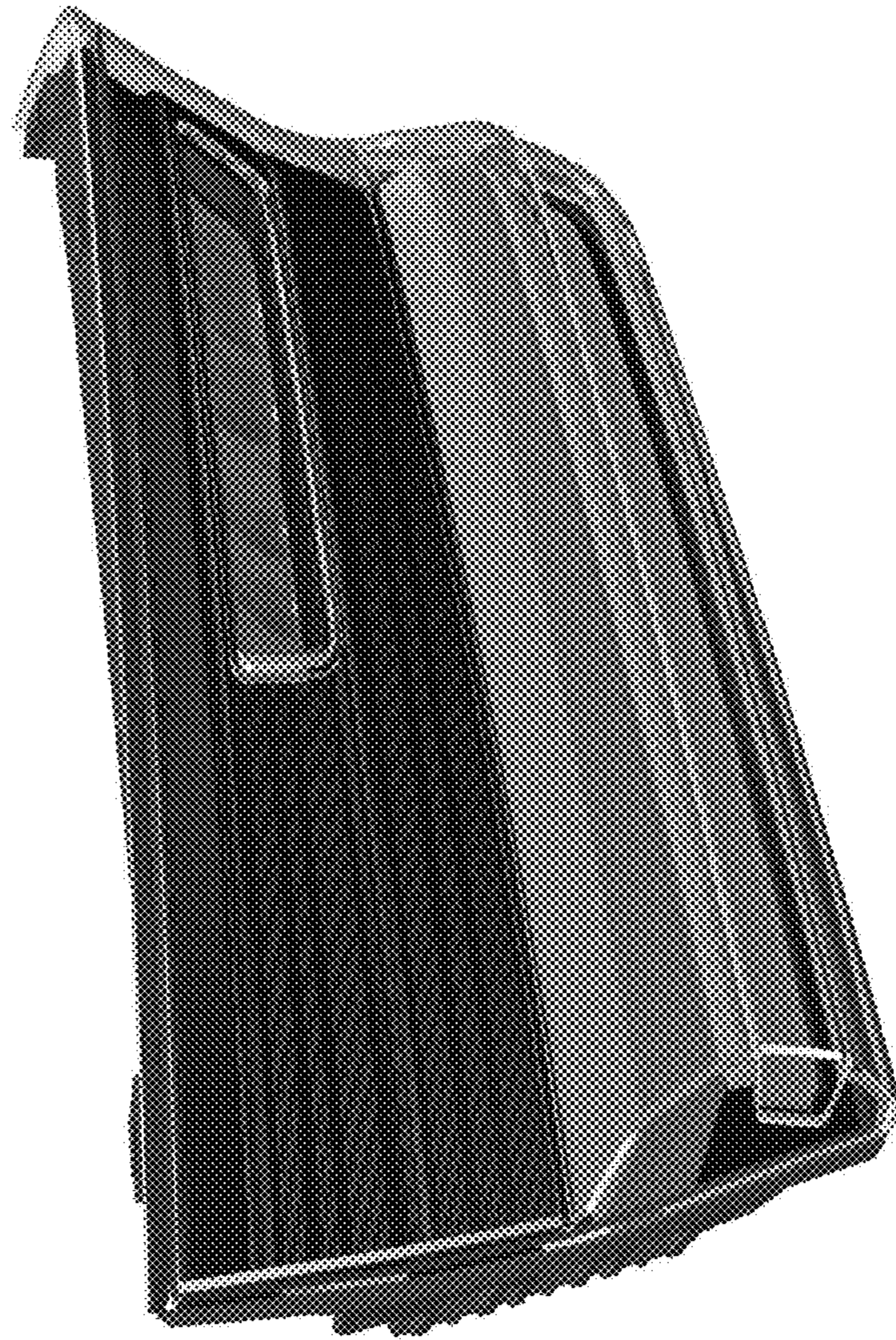


Fig. 2



Fig. 3

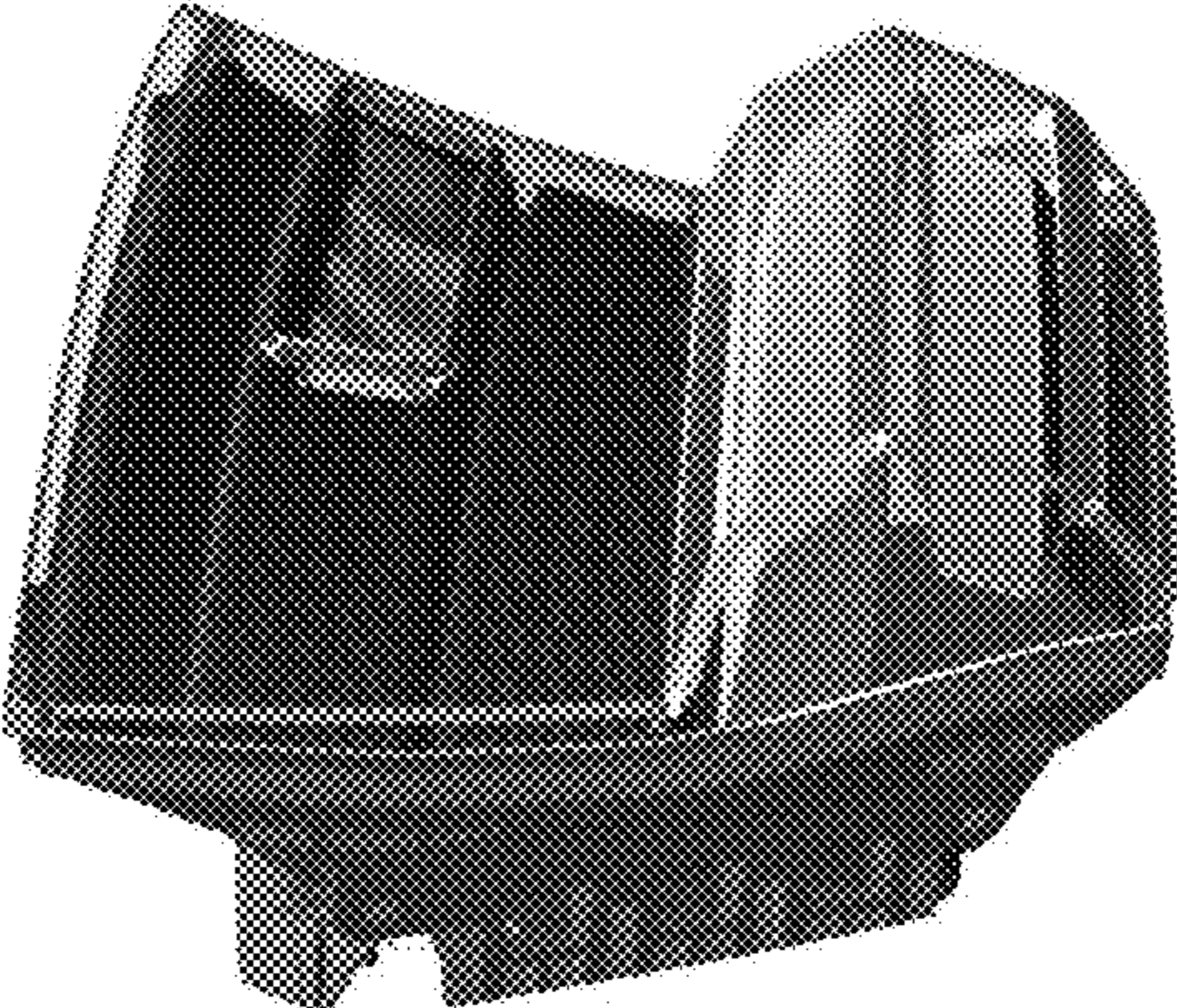


Fig. 4

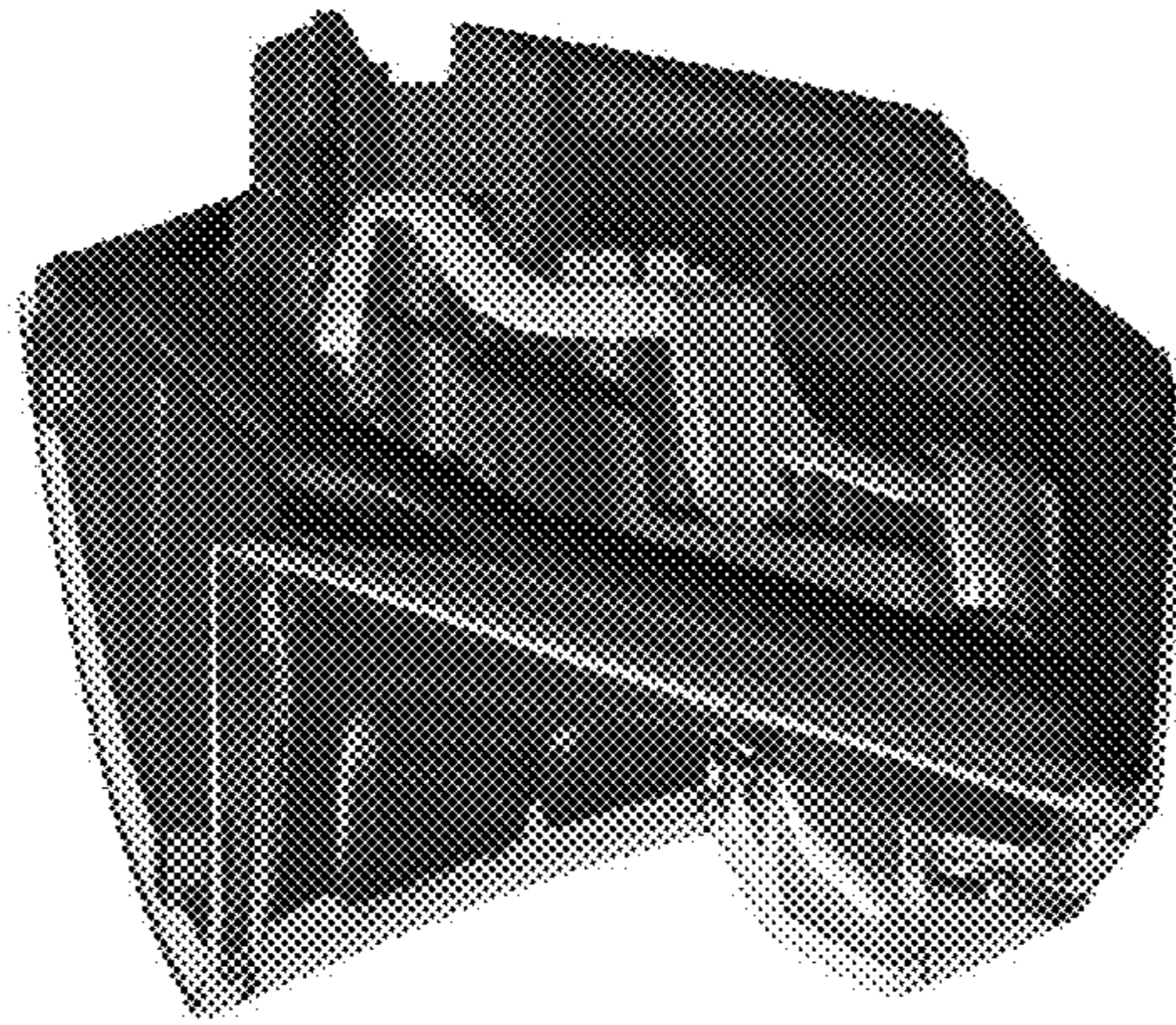


Fig. 5

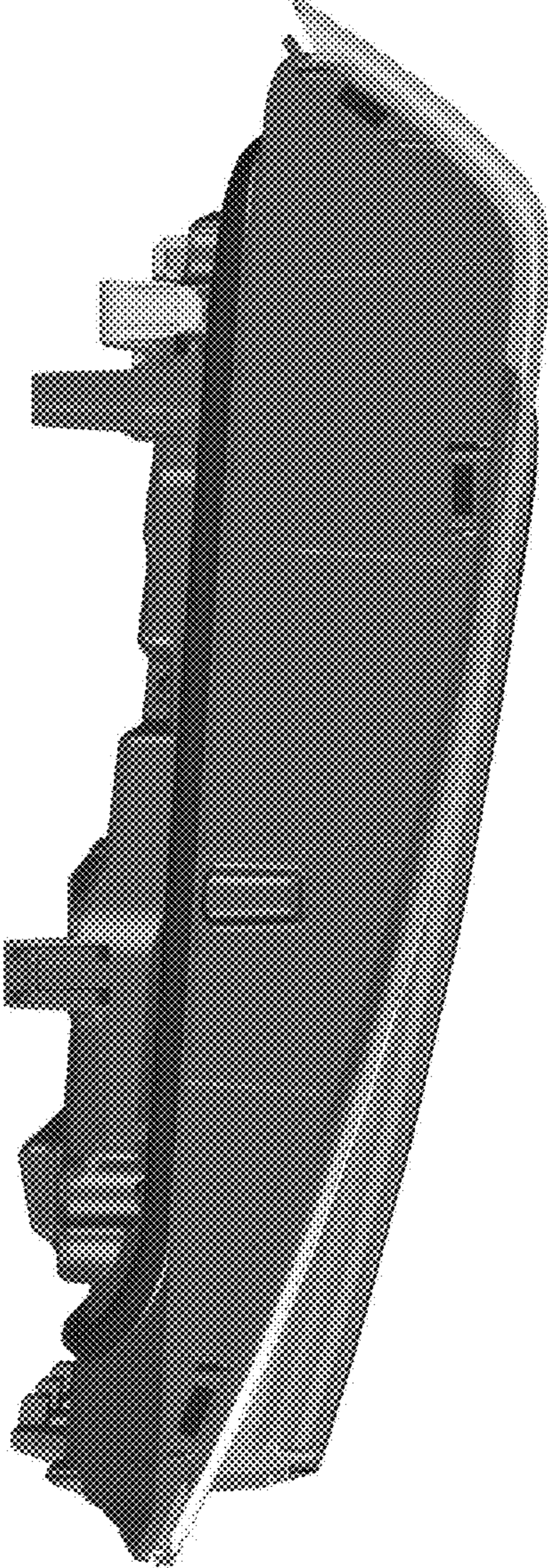


Fig. 6

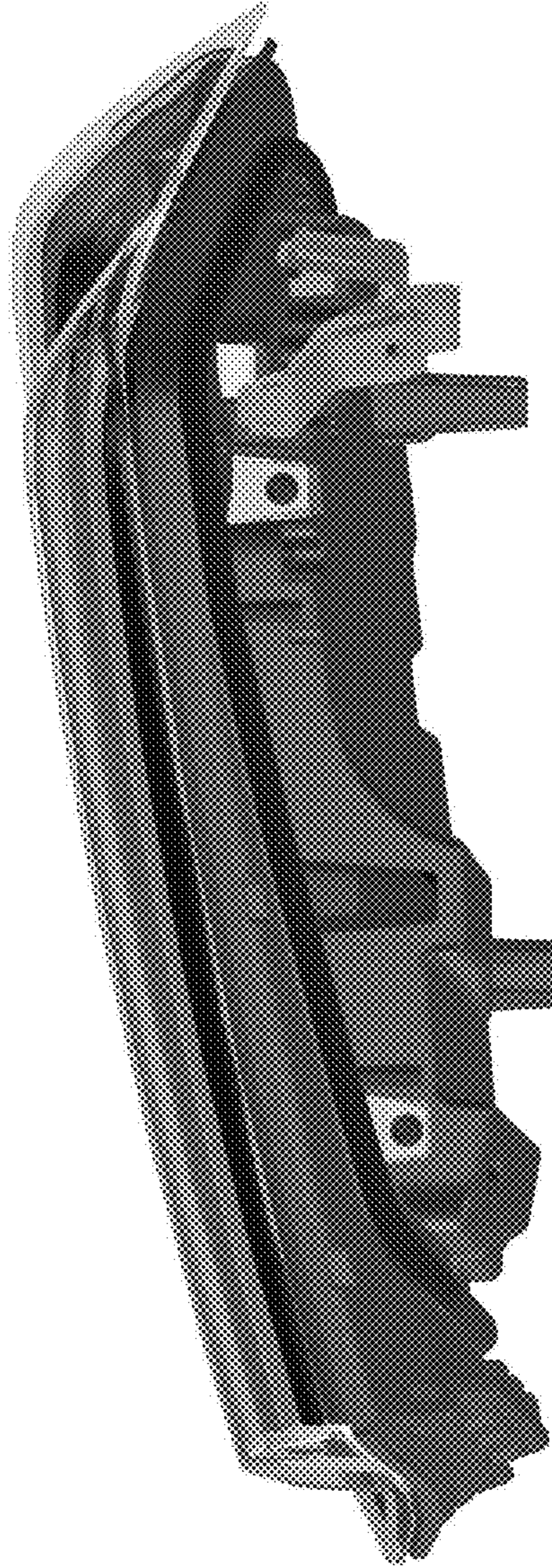


Fig. 7

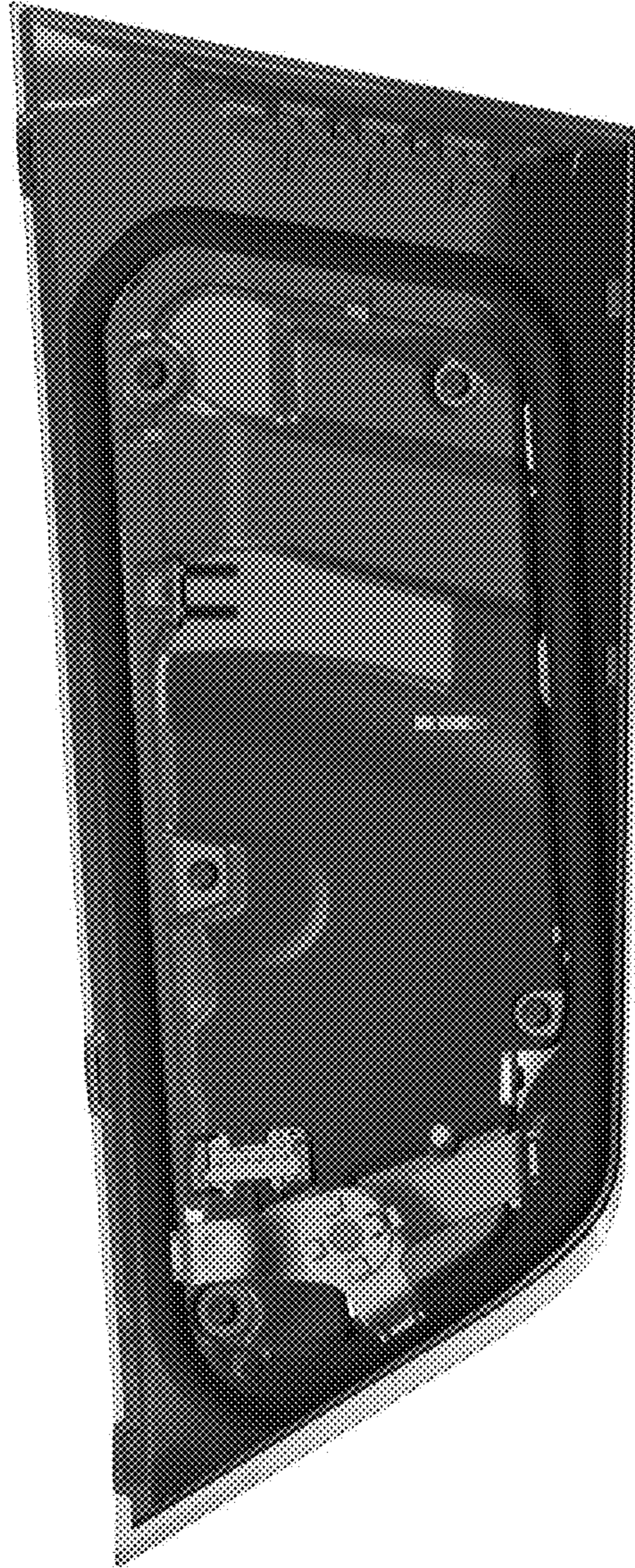


Fig. 8