



US00D866023S

(12) **United States Design Patent** (10) **Patent No.:** **US D866,023 S**
Hannemann (45) **Date of Patent:** **** Nov. 5, 2019**

(54) **HEADLIGHT FOR A VEHICLE**

FOREIGN PATENT DOCUMENTS

(71) Applicant: **Bayerische Motoren Werke Aktiengesellschaft, Munich (DE)**

WO WO DM/069951 10/2008
WO WO DM/076561 2/2012

(Continued)

(72) Inventor: **Lisa Hannemann, Munich (DE)**

Primary Examiner — Angela J Lee

(73) Assignee: **Bayerische Motoren Werke Aktiengesellschaft, Munich (DE)**

(74) *Attorney, Agent, or Firm* — Crowell & Moring LLP

(**) Term: **15 Years**

(57) **CLAIM**

The ornamental design for a headlight for a vehicle, as shown and described.

(21) Appl. No.: **29/650,343**

(22) Filed: **Jun. 6, 2018**

DESCRIPTION

(30) **Foreign Application Priority Data**

Dec. 13, 2017 (DE) 40 2017 101 347

(51) **LOC (12) Cl.** **26-07**

(52) **U.S. Cl.**
USPC **D26/28**

(58) **Field of Classification Search**
USPC D26/28, 29, 30, 31, 32, 33, 34, 35, 36;
362/459-468, 475-478, 485-487
CPC F21S 48/00; F21S 48/10; F21S 48/115;
F21S 48/225; F21S 48/1233; F21S
48/1266; F21S 48/1388; F21S 48/2268;
F21V 21/04

See application file for complete search history.

(56) **References Cited**

U.S. PATENT DOCUMENTS

D593,691 S 6/2009 Habib
D686,356 S 7/2013 Morgenstern
D709,223 S * 7/2014 Lai D26/28
D767,177 S * 9/2016 Faghihzadeh D26/28
D797,964 S * 9/2017 Hill D26/28
D801,563 S * 10/2017 Hannemann D26/28
D822,242 S * 7/2018 Lee D26/28
D827,885 S * 9/2018 Hannemann D26/28

(Continued)

This application contains subject matter related to the following co-pending U.S. design patent applications:

Application Ser. No. 29/594,698, filed Feb. 22, 2017 and entitled "Headlight for a Vehicle";

Application Ser. No. 29/605,298, filed May 25, 2017 and entitled "Headlight for a Vehicle";

Application Ser. No. 29/607,497, filed Jun. 14, 2017 and entitled "Headlight for a Vehicle";

Application Ser. No. 29/646,416, filed May 4, 2018 and entitled "Headlight for a Vehicle";

Application Ser. No. 29/646,417, filed May 4, 2018 and entitled "Headlight for a Vehicle";

Application Ser. No. 29/650,342, filed herewith and entitled "Headlight for a Vehicle"; and

Application Ser. No. 29/650,344, filed herewith and entitled "Headlight for a Vehicle".

FIG. 1 is a front view of a headlight for a vehicle according to the design;

FIG. 2 is a right, front perspective view thereof;

FIG. 3 is a left, front perspective view thereof;

FIG. 4 is a right side view thereof;

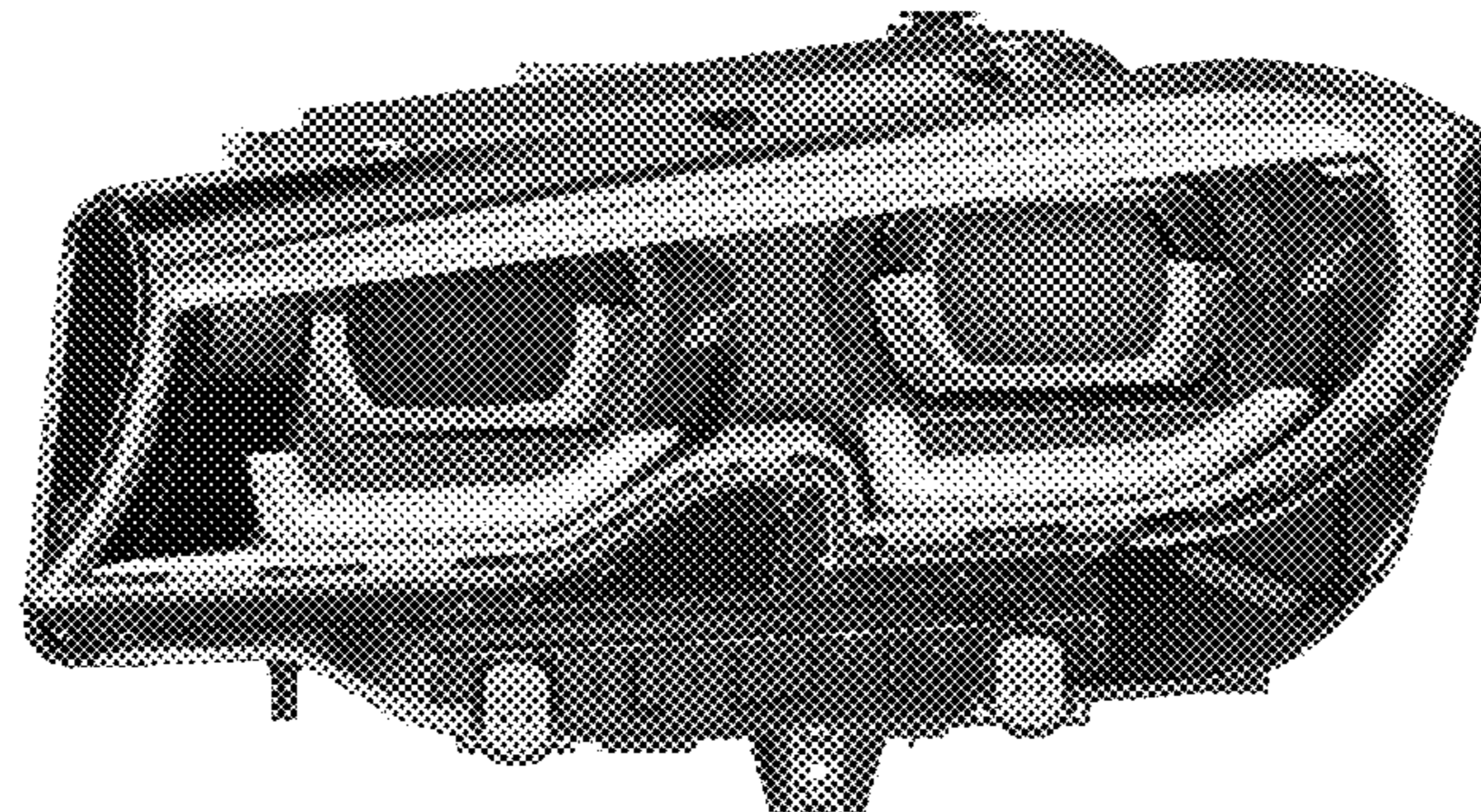
FIG. 5 is a left side view thereof;

FIG. 6 is a top view thereof;

FIG. 7 is a bottom view thereof; and,

FIG. 8 is a rear view thereof.

1 Claim, 8 Drawing Sheets



(56)

References Cited

U.S. PATENT DOCUMENTS

D828,590	S	*	9/2018	Hannemann	D26/28
D830,591	S	*	10/2018	Lai	D26/28
D835,313	S	*	12/2018	Jung	D26/28
D843,615	S	*	3/2019	Nordmann	D26/28
D844,188	S	*	3/2019	Nordmann	D26/28
D844,862	S	*	4/2019	Nordmann	D26/28
D847,386	S	*	4/2019	Lai	D26/28

FOREIGN PATENT DOCUMENTS

WO	WO DM/078972	2/2013
WO	WO DM/094975	8/2017
WO	WO DM/096235	11/2017
WO	WO DM/096613	12/2017
WO	WO DM/101134	5/2018

* cited by examiner

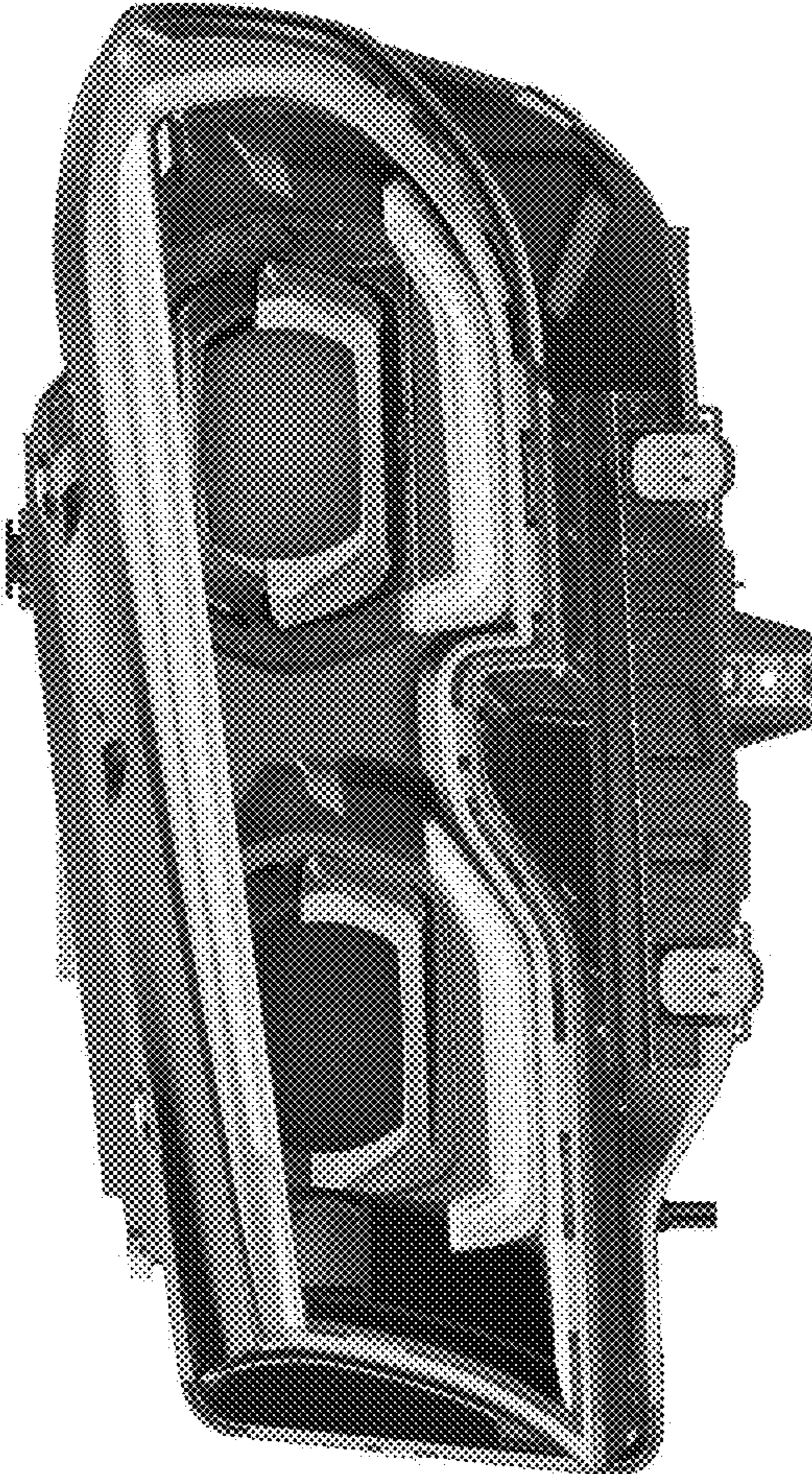


Fig. 1

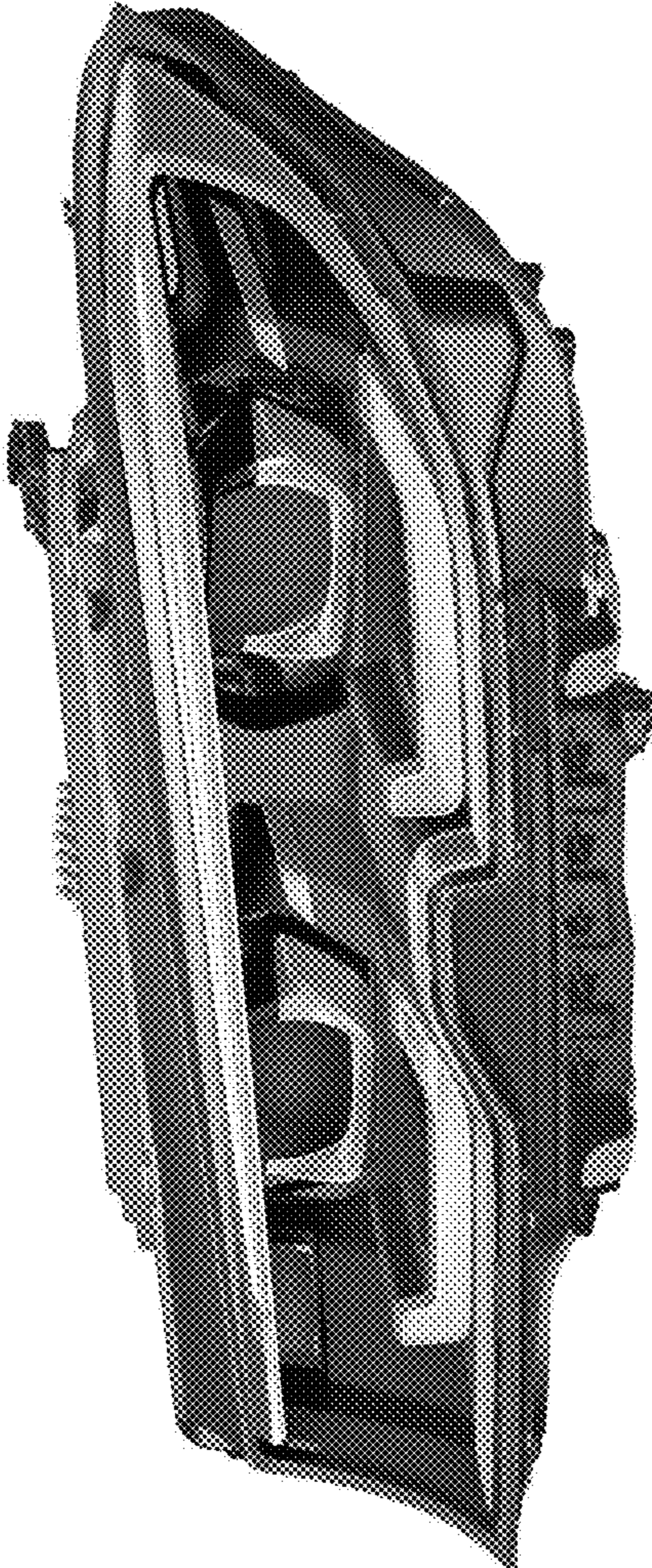


Fig. 2

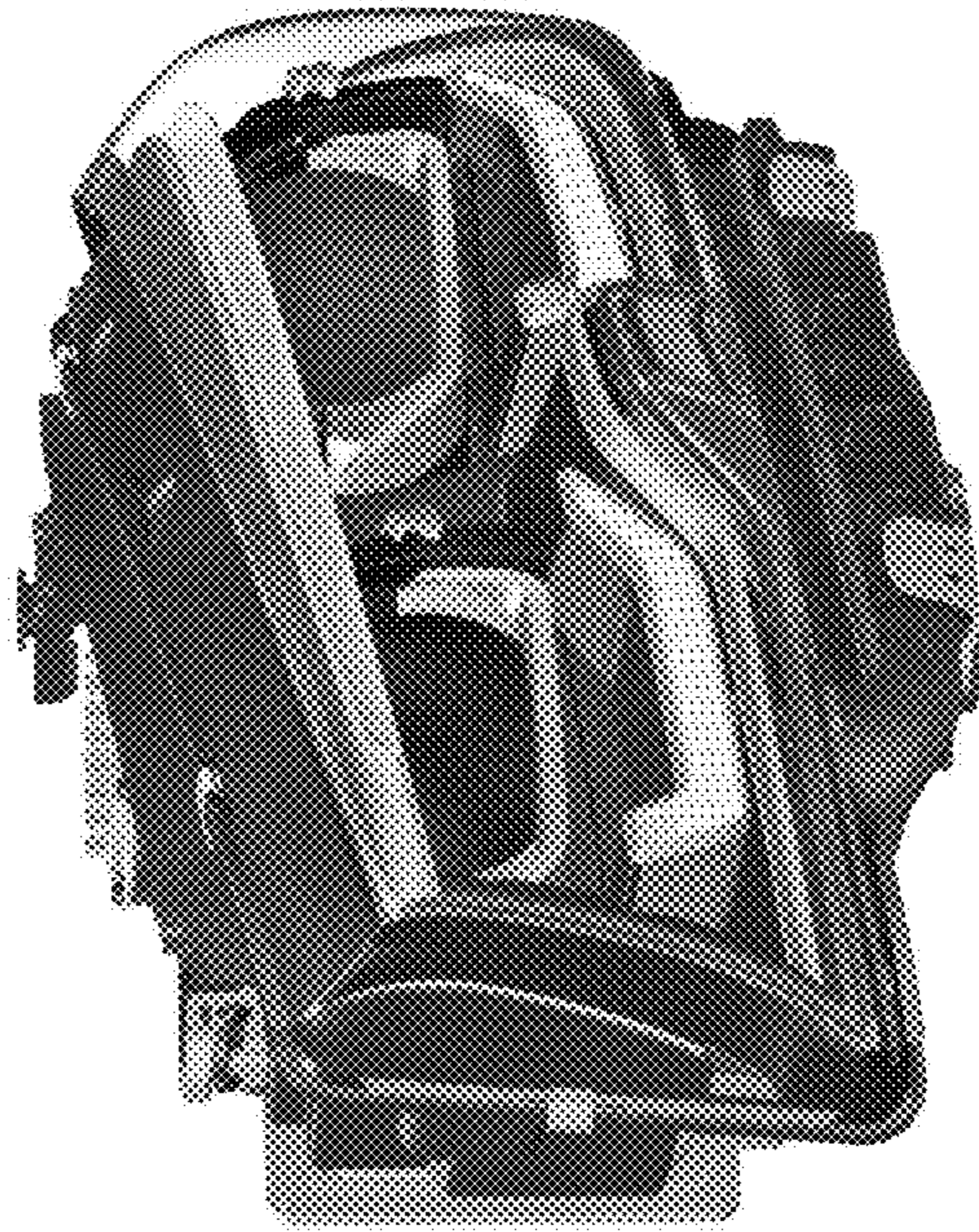


Fig. 3

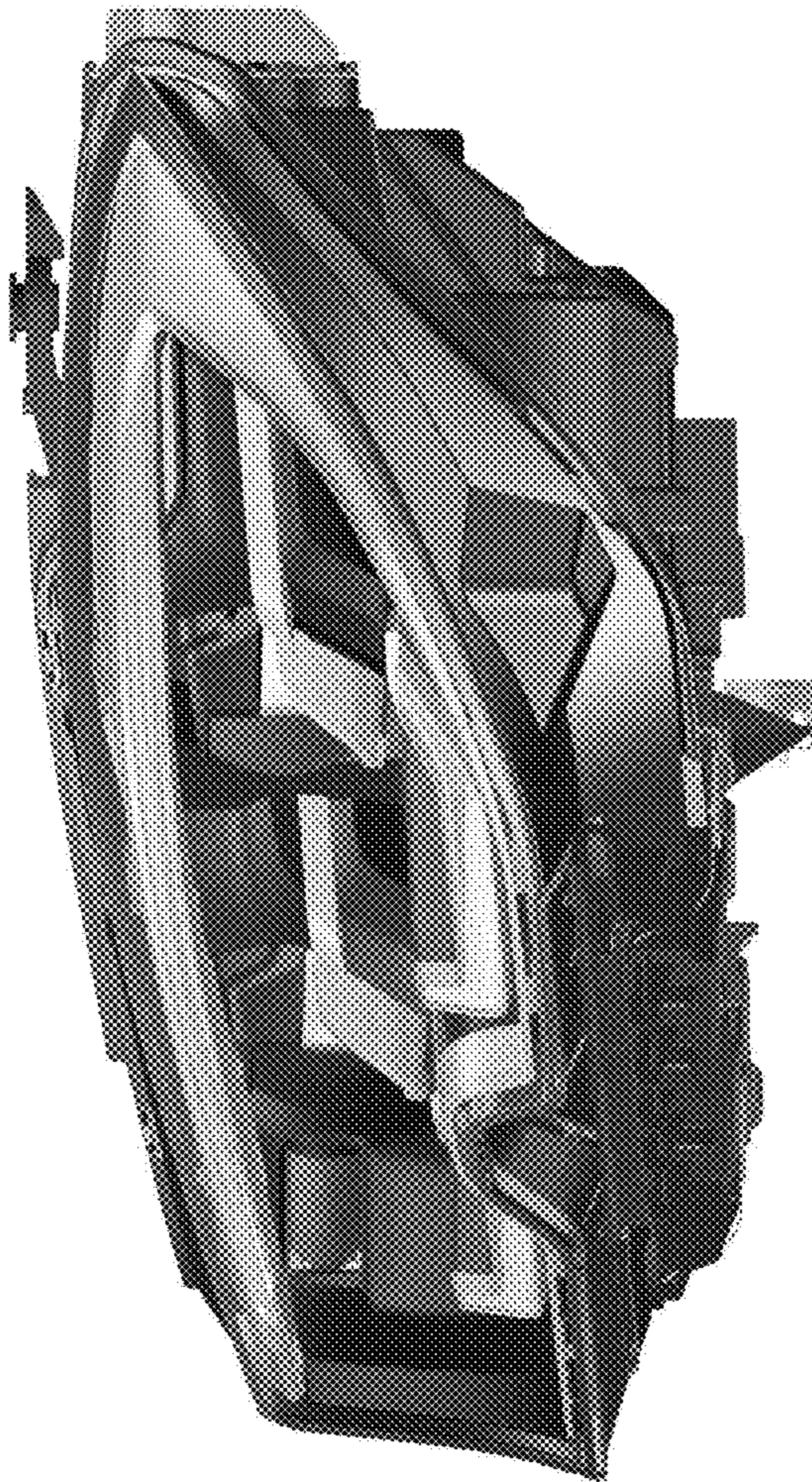


Fig. 4

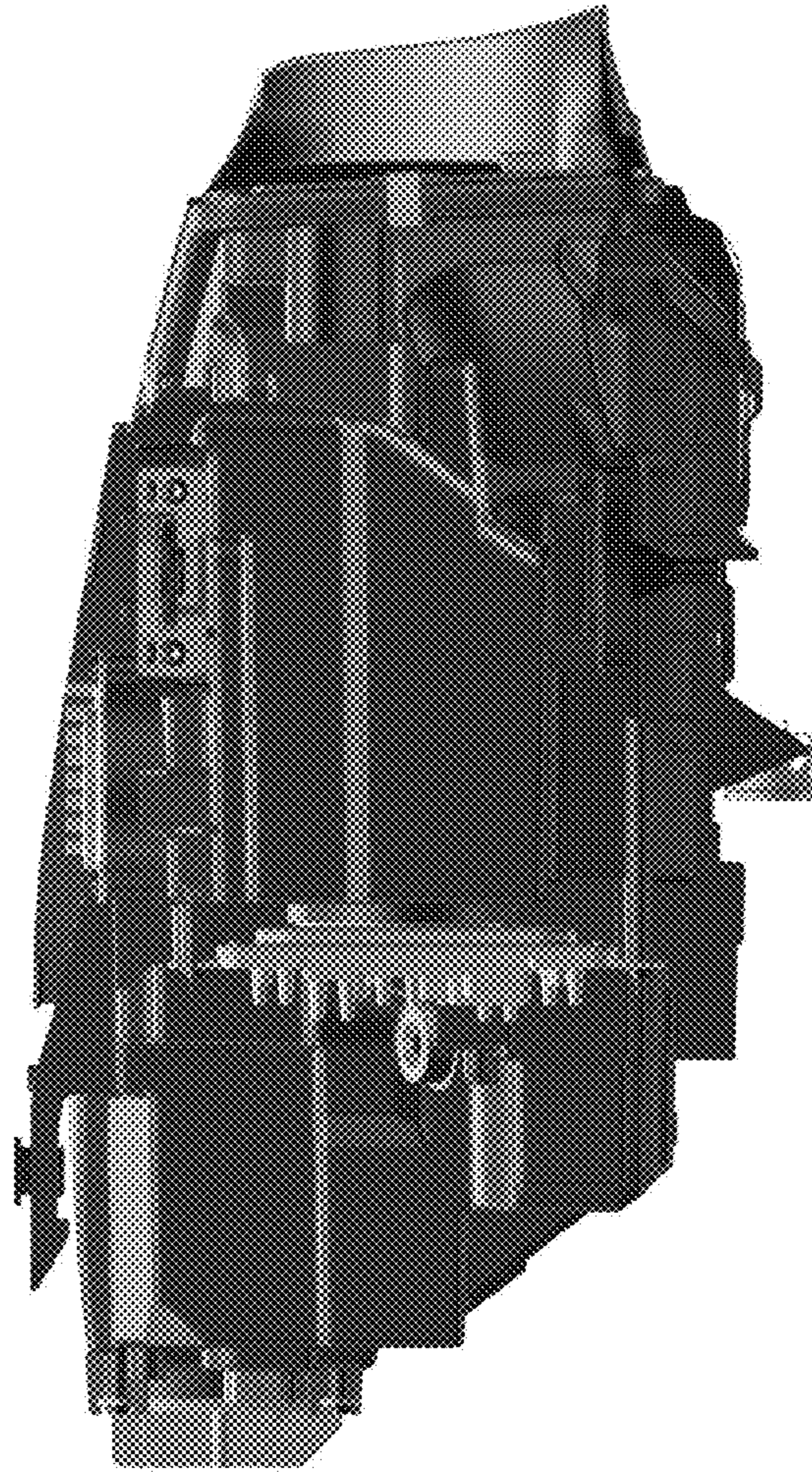


Fig. 5

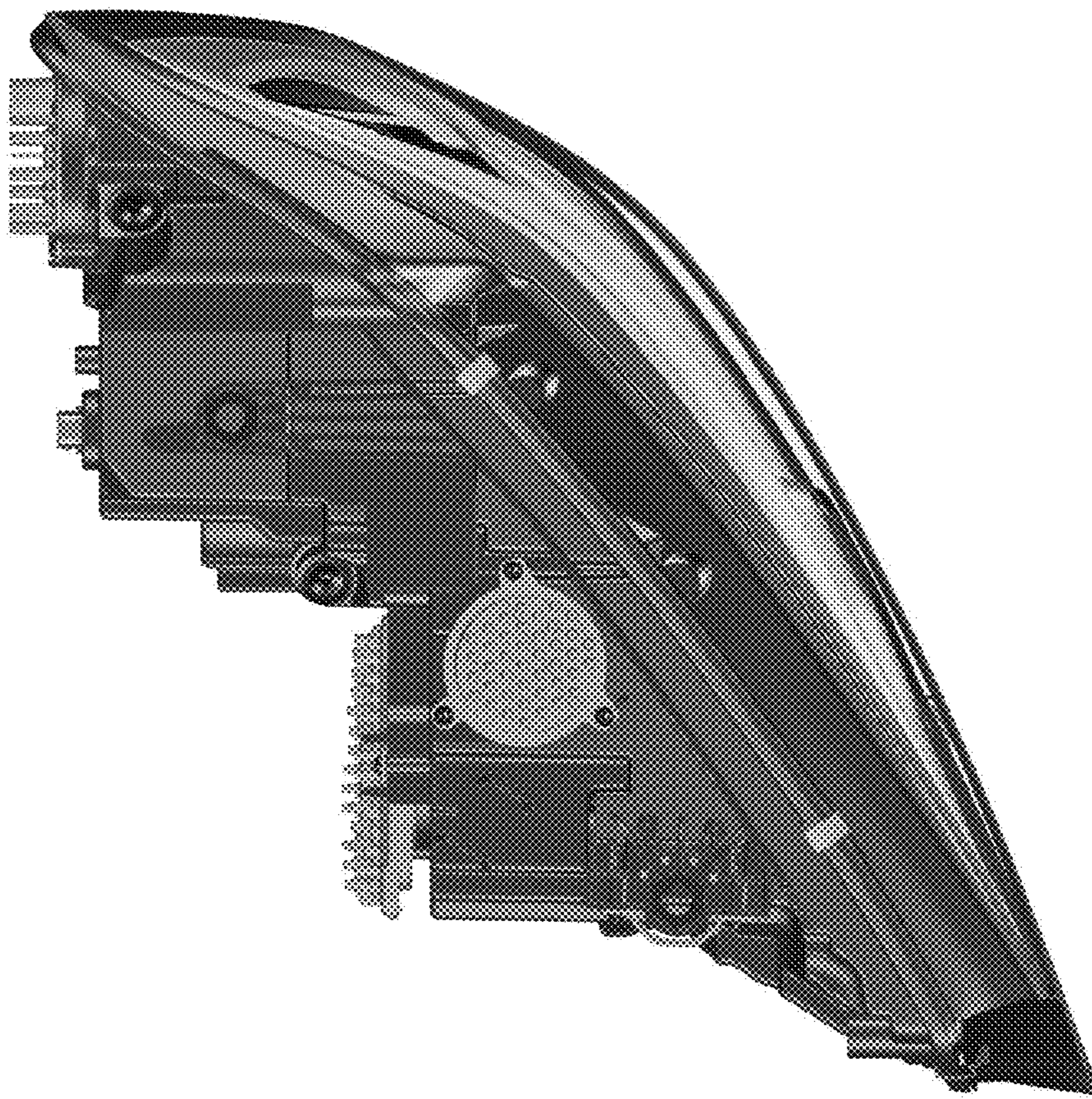


Fig. 6

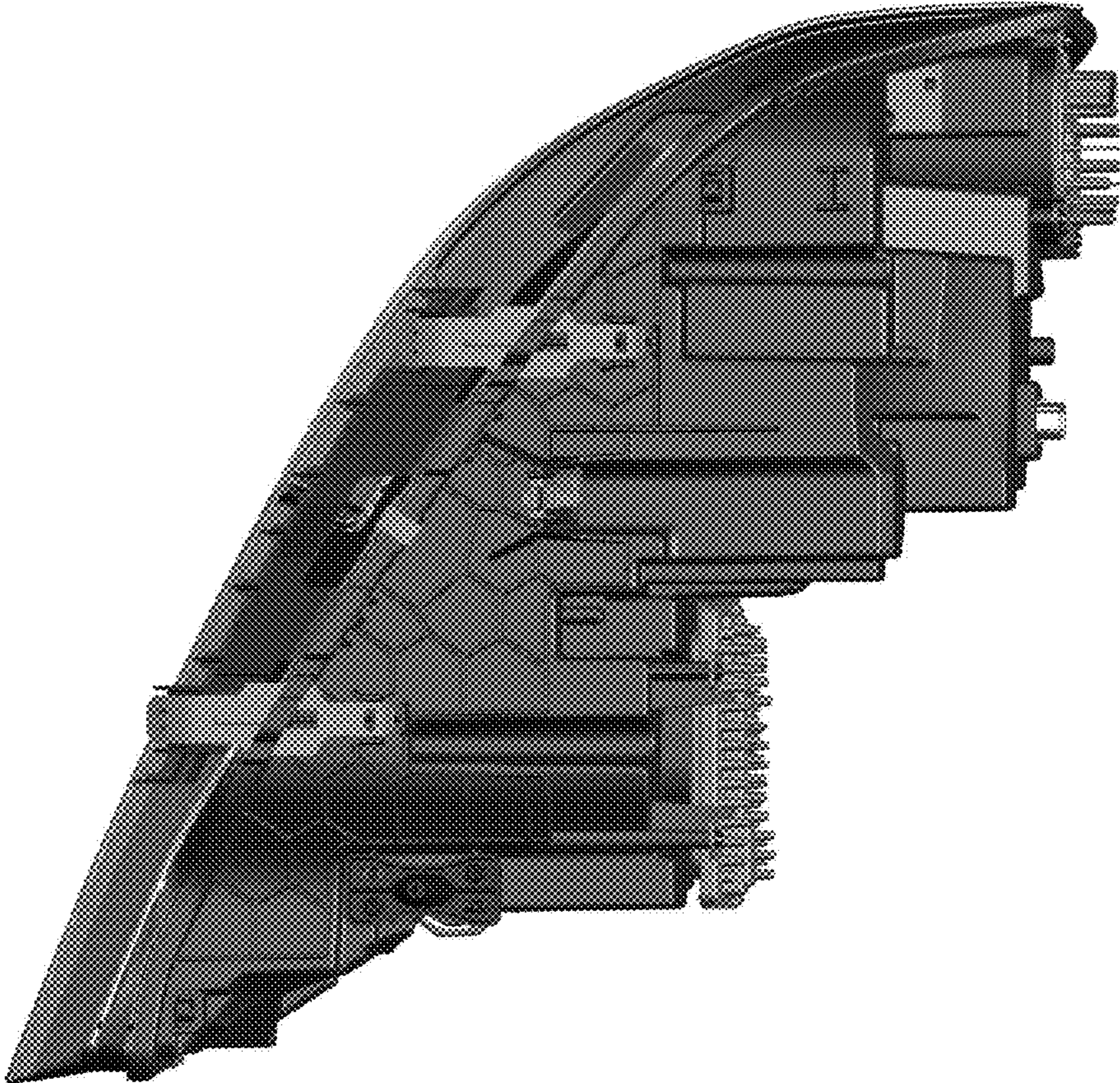


Fig. 7

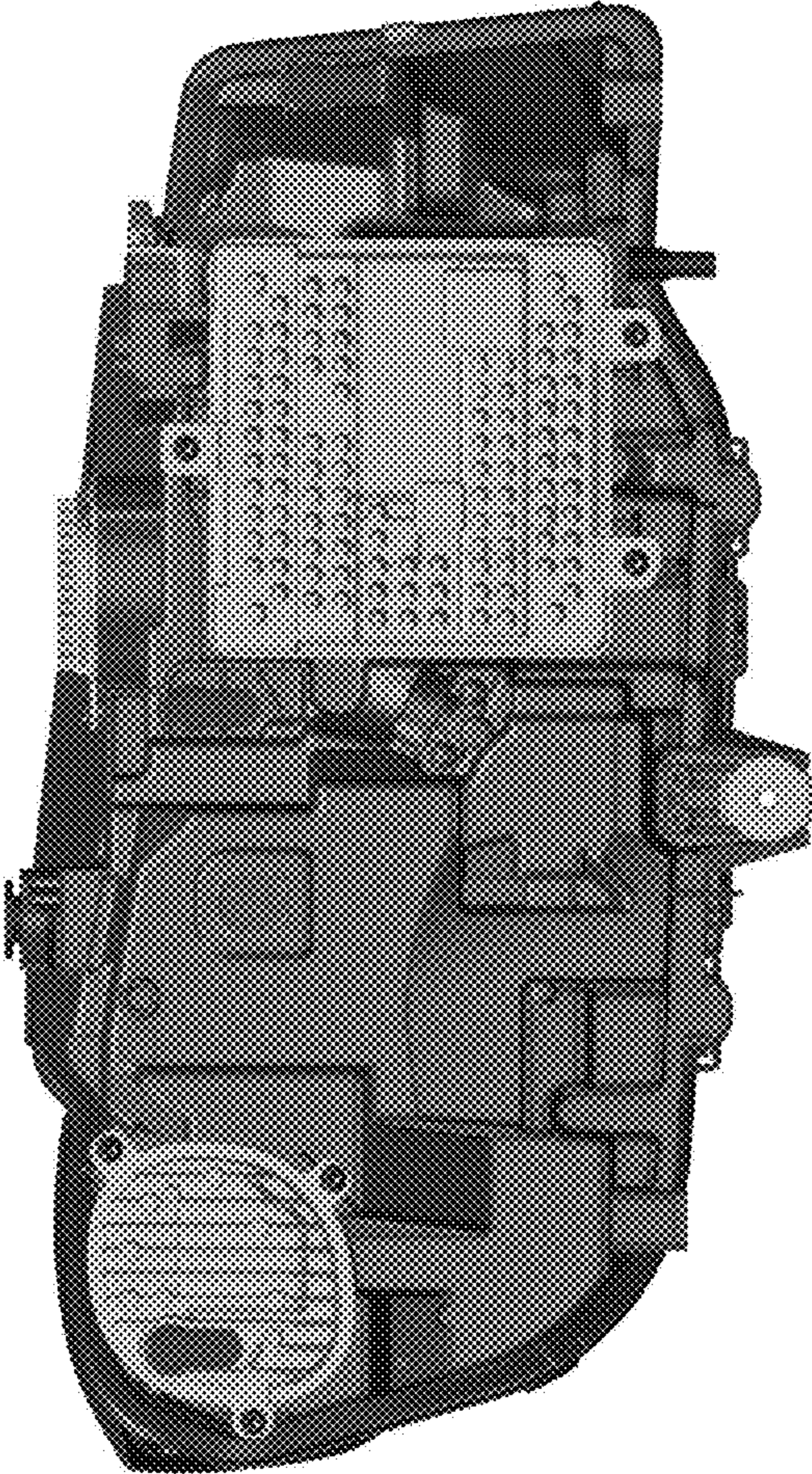


Fig. 8