



US00D866021S

(12) **United States Design Patent**
Yoshida et al.

(10) **Patent No.:** **US D866,021 S**

(45) **Date of Patent:** **** Nov. 5, 2019**

(54) **REAR LIGHT FOR MOTOR VEHICLE**

(71) Applicant: **Mazda Motor Corporation**, Hiroshima (JP)

(72) Inventors: **Atsushi Yoshida**, Hiroshima (JP);
Keisuke Watanabe, Hiroshima (JP);
Tamami Sato, Hiroshima (JP); **Shinichi Harada**, Hiroshima (JP)

(73) Assignee: **MAZDA MOTOR CORPORATION**, Hiroshima (JP)

(**) Term: **15 Years**

(21) Appl. No.: **29/634,661**

(22) Filed: **Jan. 24, 2018**

(51) **LOC (12) Cl.** **26-05**

(52) **U.S. Cl.**
USPC **D26/28**

(58) **Field of Classification Search**
USPC D26/26, 28, 36, 63, 72, 76
See application file for complete search history.

(56) **References Cited**

U.S. PATENT DOCUMENTS

D637,322 S *	5/2011	Yang	D26/28
D637,324 S *	5/2011	Yang	D26/28
D637,325 S *	5/2011	Yang	D26/28
D637,742 S *	5/2011	Yang	D26/28
D642,712 S *	8/2011	Ishigaki	D26/28
D645,591 S *	9/2011	Kong	D26/28
D657,898 S *	4/2012	Choi	D26/28
D658,321 S *	4/2012	Takeda	D26/28
D661,829 S *	6/2012	Koizumi	D26/28
D674,941 S *	1/2013	Lai	D26/28
D681,244 S *	4/2013	Tsai	D26/28
D681,856 S *	5/2013	Tsai	D26/28
D691,307 S *	10/2013	Lai	D26/28
D693,950 S *	11/2013	Ito	D26/28

D708,367 S *	7/2014	Tajima	D26/28
D708,767 S *	7/2014	Minaminsawa	D26/28
D715,470 S *	10/2014	Yoshida	D26/28
D767,801 S *	9/2016	Han	D26/28
D770,649 S *	11/2016	Lim	D26/28
D794,231 S *	8/2017	Yokoi	D26/28
D806,287 S *	12/2017	Yoshida	D26/28
D825,084 S *	8/2018	Haizuka	D26/28
D827,168 S *	8/2018	Haizuka	D26/28
D829,947 S *	10/2018	Jung	D26/28

(Continued)

OTHER PUBLICATIONS

“2019 Mazda3 debuts at LA Auto Show with Skyactiv-X tech.”
Found online Aug. 1, 2019 at www.cnet.com. Page dated Nov. 29, 2018. Retrieved from URL: <https://www.cnet.com/roadshow/news/2019-mazda3-la-auto-show-skyactiv/> (Year: 2018).*

(Continued)

Primary Examiner — Garth Rademaker

Assistant Examiner — Katelin G Kloberg

(74) *Attorney, Agent, or Firm* — Studebaker & Brackett PC

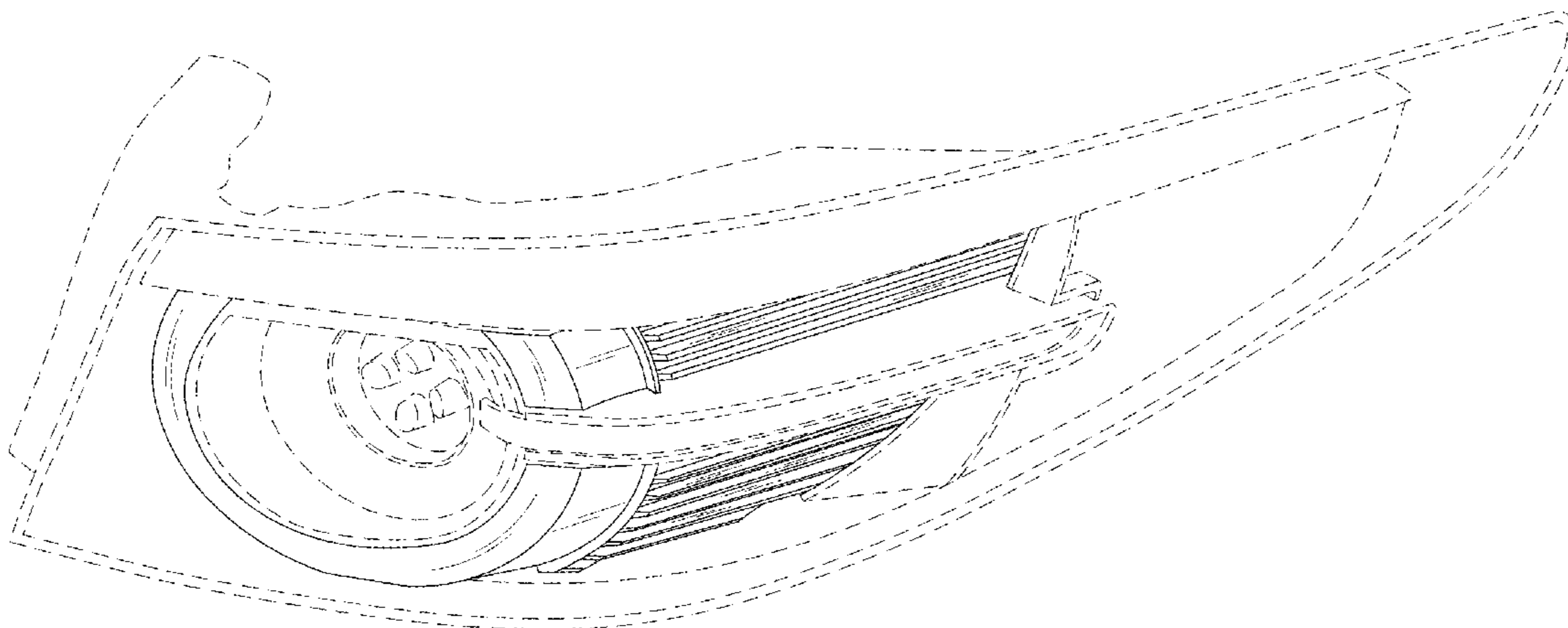
(57) **CLAIM**

The ornamental design for a rear light for motor vehicle, as shown and described.

DESCRIPTION

FIG. 1 is a first perspective view of a rear light for motor vehicle;
FIG. 2 is a second perspective view thereof;
FIG. 3 is a front view thereof; and,
FIG. 4 is a right side view thereof.
The broken lines depict portions of the rear light for motor vehicle in which the design is embodied that are not considered part of the claimed design.

1 Claim, 4 Drawing Sheets



(56)

References Cited

U.S. PATENT DOCUMENTS

D833,657 S * 11/2018 Kwon D26/28
D846,164 S * 4/2019 Lin D26/28

OTHER PUBLICATIONS

“YouTube—2019 Mazda 3 Sedan—Exterior and Interior Walkaround.”
Found online Aug. 1, 2019 at www.youtube.com. Video published
Nov. 28, 2018. Retrieved from URL: [https://www.youtube.com/
watch?v=q8vVh6owSu4](https://www.youtube.com/watch?v=q8vVh6owSu4) (Year: 2018).*

“MotorTrend—2019 Mazda3: Five Impressions from the 2018 L.A.
Auto Show.” Found online Aug. 2, 2019 at www.motortrend.com.
Page dated Nov. 29, 2018. Retrieved from URL: [https://www.
motortrend.com/news/2019-mazda3-five-impressions-2018-la-auto-
show/](https://www.motortrend.com/news/2019-mazda3-five-impressions-2018-la-auto-show/) (Year: 2018).*

* cited by examiner

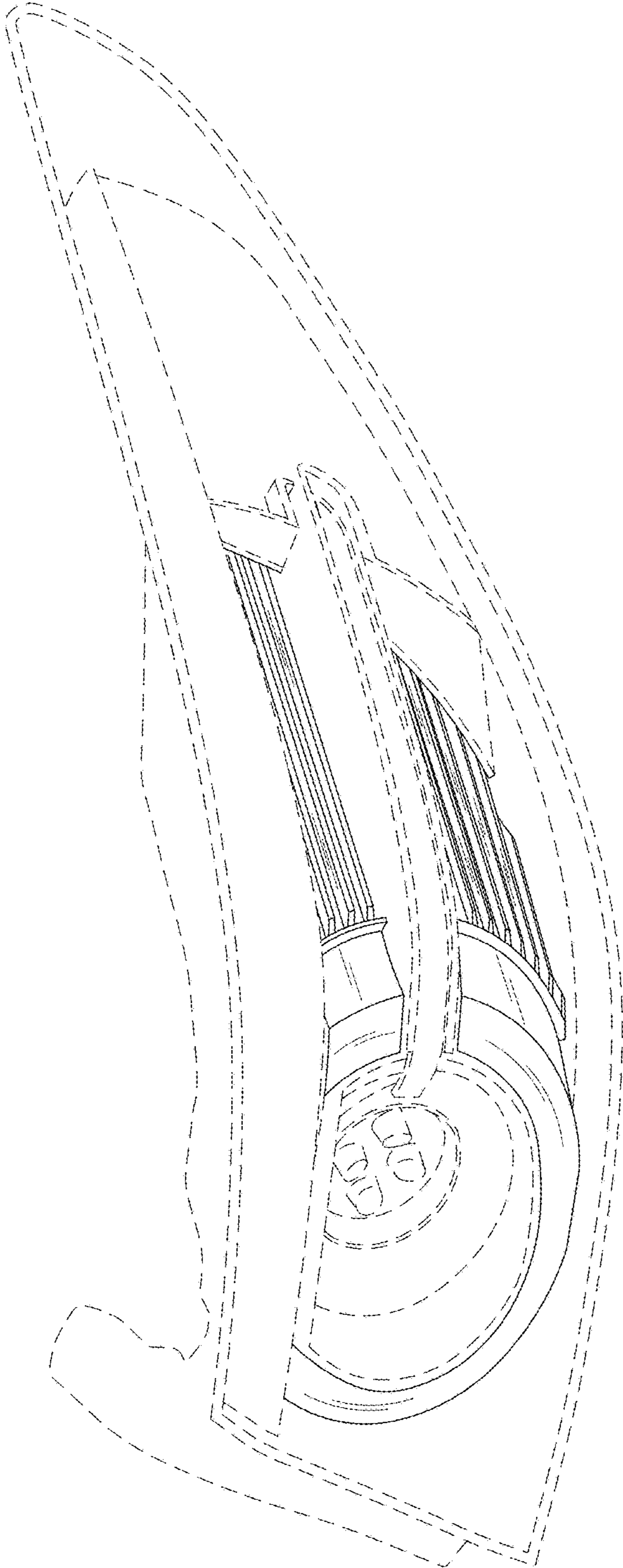


FIG.1

FIG. 2

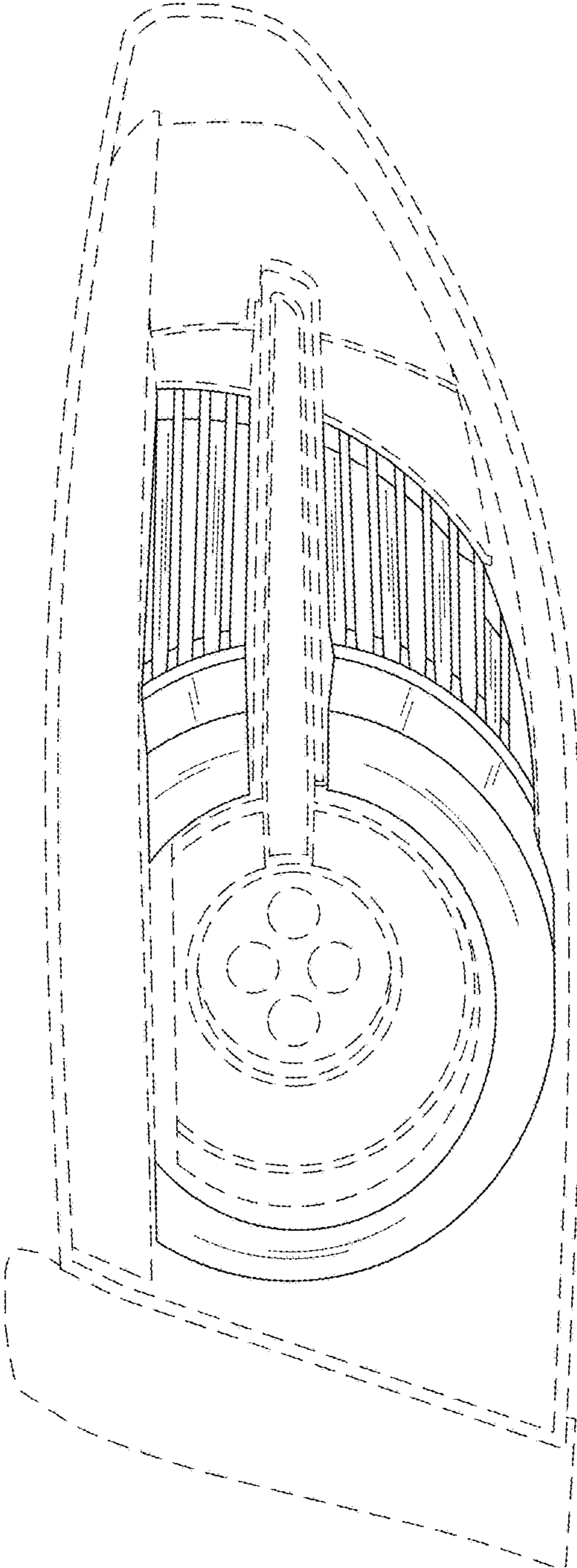
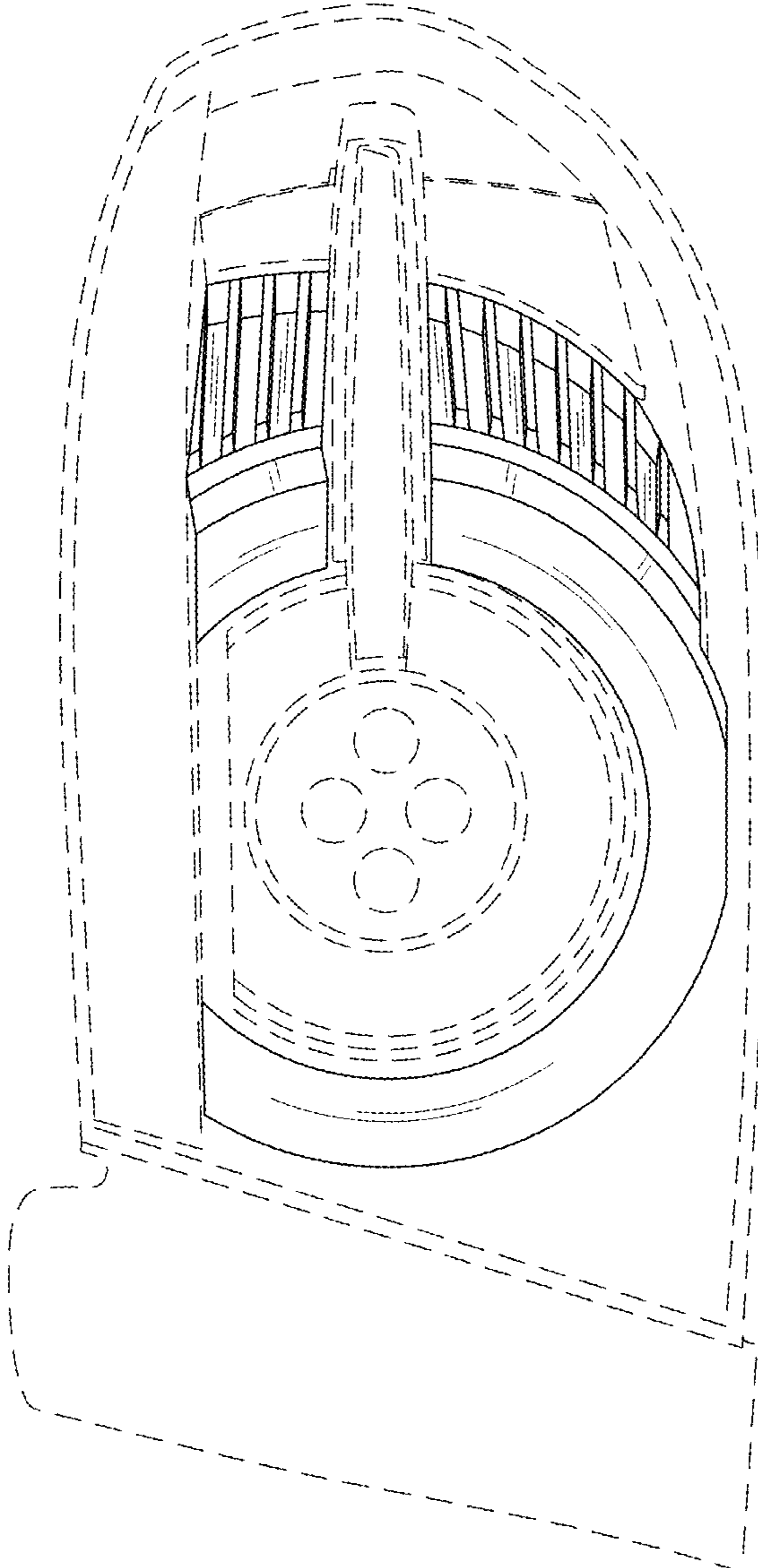


FIG. 3



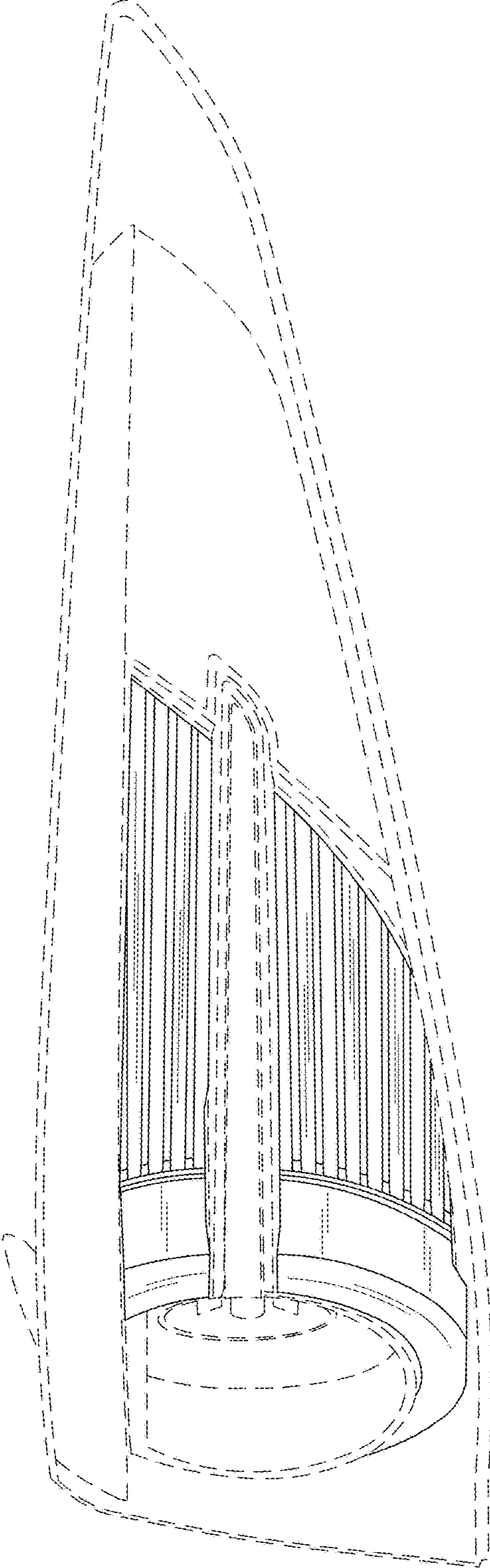


FIG.4