



US00D866019S

(12) **United States Design Patent**  
**Herzog**

(10) **Patent No.:** **US D866,019 S**

(45) **Date of Patent:** **\*\* Nov. 5, 2019**

(54) **VEHICLE TAIL LIGHT**

(71) Applicant: **VOLKSWAGEN**  
**AKTIENGESELLSCHAFT,**  
Wolfsburg (DE)

(72) Inventor: **René Herzog,** Wanzleben-Börde (DE)

(73) Assignee: **VOLKSWAGEN**  
**AKTIENGESELLSCHAFT (DE)**

(\*\*) Term: **15 Years**

(21) Appl. No.: **29/629,497**

(22) Filed: **Dec. 13, 2017**

(51) **LOC (12) Cl.** ..... **26-06**

(52) **U.S. Cl.**  
USPC ..... **D26/28**

(58) **Field of Classification Search**  
USPC .... D26/26, 28, 63, 72, 75, 76, 139; D12/91,  
D12/164, 169  
CPC ..... F21S 41/00; F21S 48/00; F21S 48/115;  
F21S 48/225; F21S 48/1233; F21S  
48/1266; F21S 48/1388; F21V 21/04  
See application file for complete search history.

(56) **References Cited**

**U.S. PATENT DOCUMENTS**

D678,571 S	*	3/2013	Brendel	.....	D26/28
D683,486 S	*	5/2013	Kogawa	.....	D26/28
D691,299 S	*	10/2013	Binder	.....	D26/28
D708,772 S	*	7/2014	Lai	.....	D26/28
D714,475 S	*	9/2014	Osborne	.....	D26/28
D717,980 S	*	11/2014	Lai	.....	D26/28
D738,010 S	*	9/2015	Futschik	.....	D26/28
D740,178 S	*	10/2015	Bischoff	.....	D12/92
D748,534 S	*	2/2016	Bischoff	.....	D12/92
D752,781 S	*	3/2016	Choi	.....	D26/28
D752,786 S	*	3/2016	Futschik	.....	D26/28
D755,427 S	*	5/2016	Handt	.....	D26/28
D760,411 S	*	6/2016	Andersson Murkett	.....	D26/28
D761,455 S	*	7/2016	Futschik	.....	D26/28

D765,286 S	*	8/2016	Lai	.....	D26/28
D771,290 S	*	11/2016	Binder	.....	D26/28
D775,389 S	*	12/2016	Tsai	.....	D26/28
D779,091 S	*	2/2017	Giolito	.....	D26/28

(Continued)

**OTHER PUBLICATIONS**

“YouTube—2019 Volkswagen Jetta Headlights & Tail Lights.”  
Found online Jun. 12, 2019 at [www.youtube.com](http://www.youtube.com). Video published  
Jan. 15, 2018. Retrieved from URL: [https://www.youtube.com/  
watch?v=-FJWyL3qml4](https://www.youtube.com/watch?v=-FJWyL3qml4) (Year: 2018).\*

(Continued)

*Primary Examiner* — Garth Rademaker

*Assistant Examiner* — Katelin G Kloberg

(74) *Attorney, Agent, or Firm* — Barnes & Thornburg  
LLP

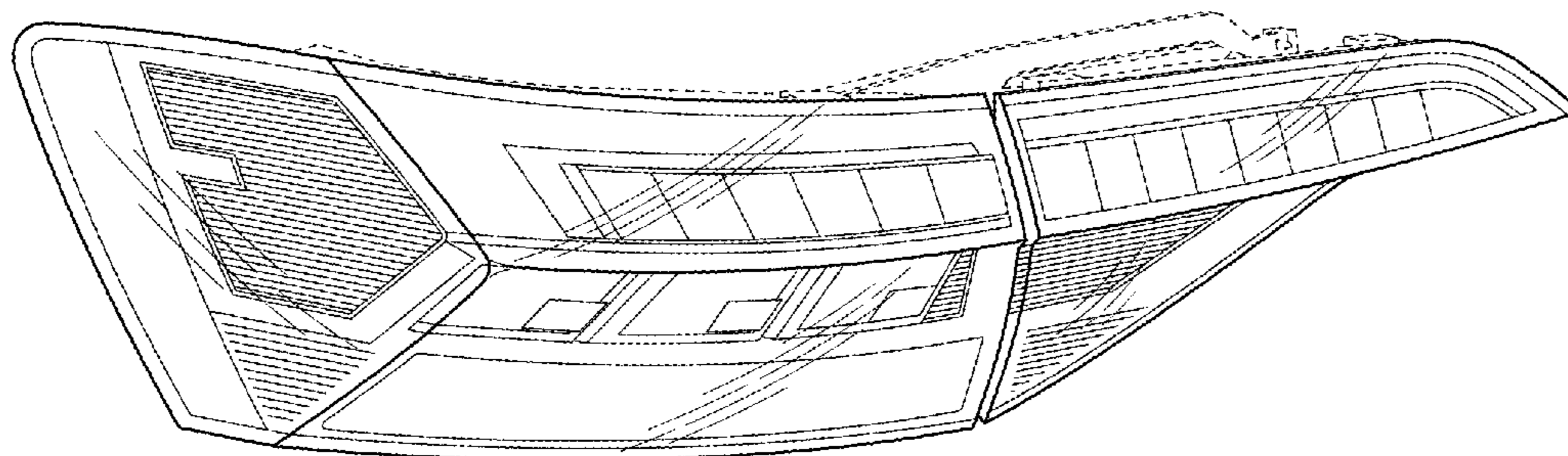
(57) **CLAIM**

The ornamental design for a vehicle tail light, as shown and  
described.

**DESCRIPTION**

FIG. 1 is a perspective view of a first embodiment for a  
vehicle tail light according to my new design;  
FIG. 2 is a front view thereof;  
FIG. 3 is a left side view thereof;  
FIG. 4 is a top plan view thereof; and  
FIG. 5 is a bottom plan view thereof.  
FIG. 6 is a perspective view of a second embodiment for a  
vehicle tail light according to my new design with the  
vehicle tail light for the opposite side of a vehicle being  
depicted in the first embodiment;  
FIG. 7 is a front view thereof; and  
FIG. 8 is a right side view thereof thereof;  
FIG. 9 is a top plan view thereof; and,  
FIG. 10 is a bottom plan view thereof.  
The broken lines illustrate portions of the vehicle tail light  
that form no part of the claimed design.

**1 Claim, 10 Drawing Sheets**



(56)

**References Cited**

## U.S. PATENT DOCUMENTS

D786,463 S	*	5/2017	Lai .....	D26/28
D798,478 S	*	9/2017	Haeussinger .....	D26/28
D801,560 S	*	10/2017	Kinoshita .....	D26/28
D818,162 S	*	5/2018	Ha .....	D26/28
D826,094 S	*	8/2018	Bischoff .....	D12/92
D829,948 S	*	10/2018	Jung .....	D26/28
D834,224 S	*	11/2018	Mochizuki .....	D26/28
D849,286 S	*	5/2019	Lin .....	D26/28

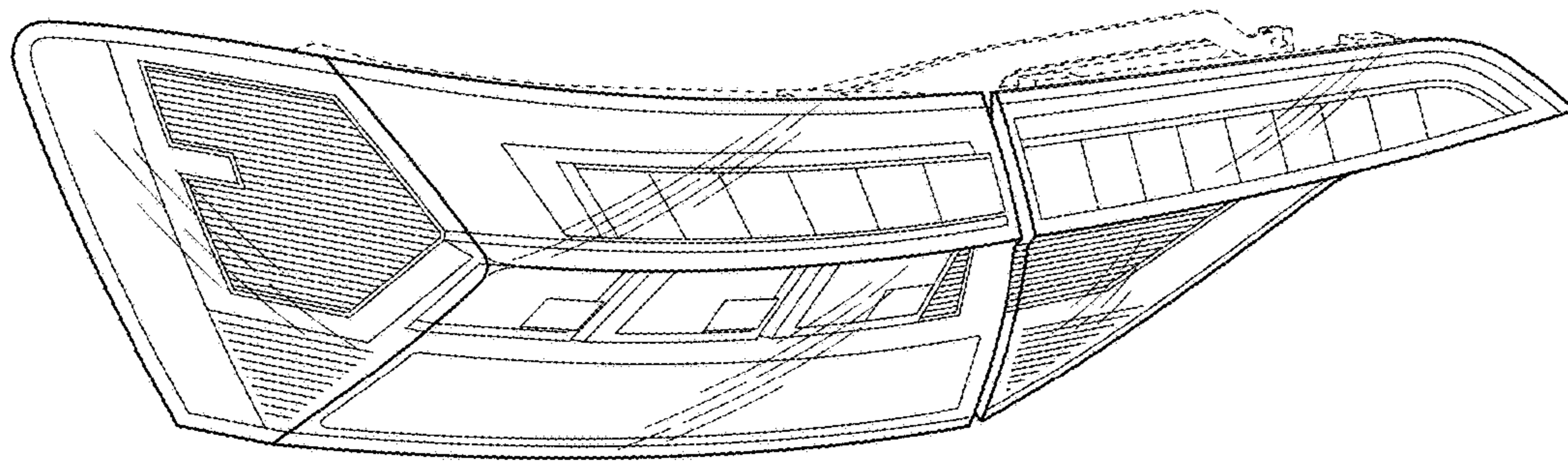
## OTHER PUBLICATIONS

“YouTube—2019 Volkswagen Jetta—2018 Detroit Auto Show.” Found online Jun. 12, 2019 at [www.youtube.com](http://www.youtube.com). Video Published Jan. 17, 2018. Retrieved from URL: <https://www.youtube.com/watch?v=4enrAi8R4mU> (Year: 2018).\*

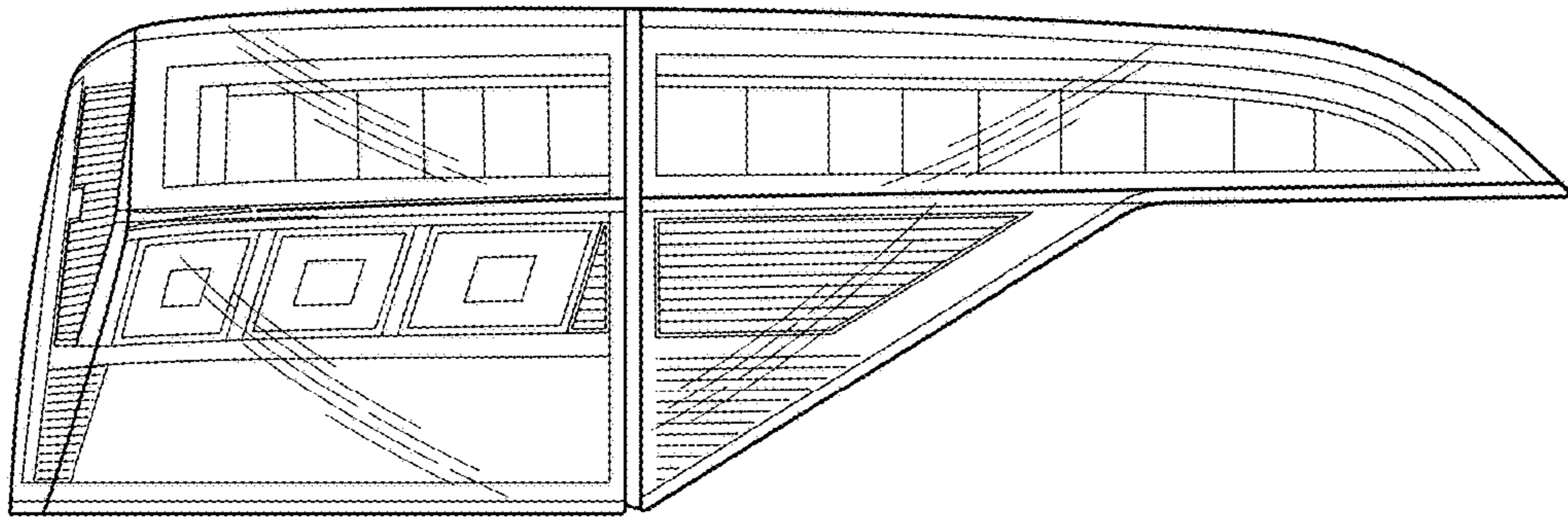
“2019 Volkswagen Jetta First Drive Review.” Found online Jun. 12, 2019 at [www.autoblog.com](http://www.autoblog.com). Page dated Apr. 12, 2018. Retrieved from URL: <https://www.autoblog.com/2018/4/12/2019-volkswagen-jetta-review-first-drive/#slide-7302134> (Year: 2018).\*

“Volkswagen Announces Full Pricing for All-New 2019 Volkswagen Jetta.” Found online Jun. 12, 2019 at [www.media.vw.com](http://www.media.vw.com). Page dated Apr. 5, 2018. Retrieved from URL: <https://www.media.vw.com/releases/1004> (Year: 2018).\*

\* cited by examiner

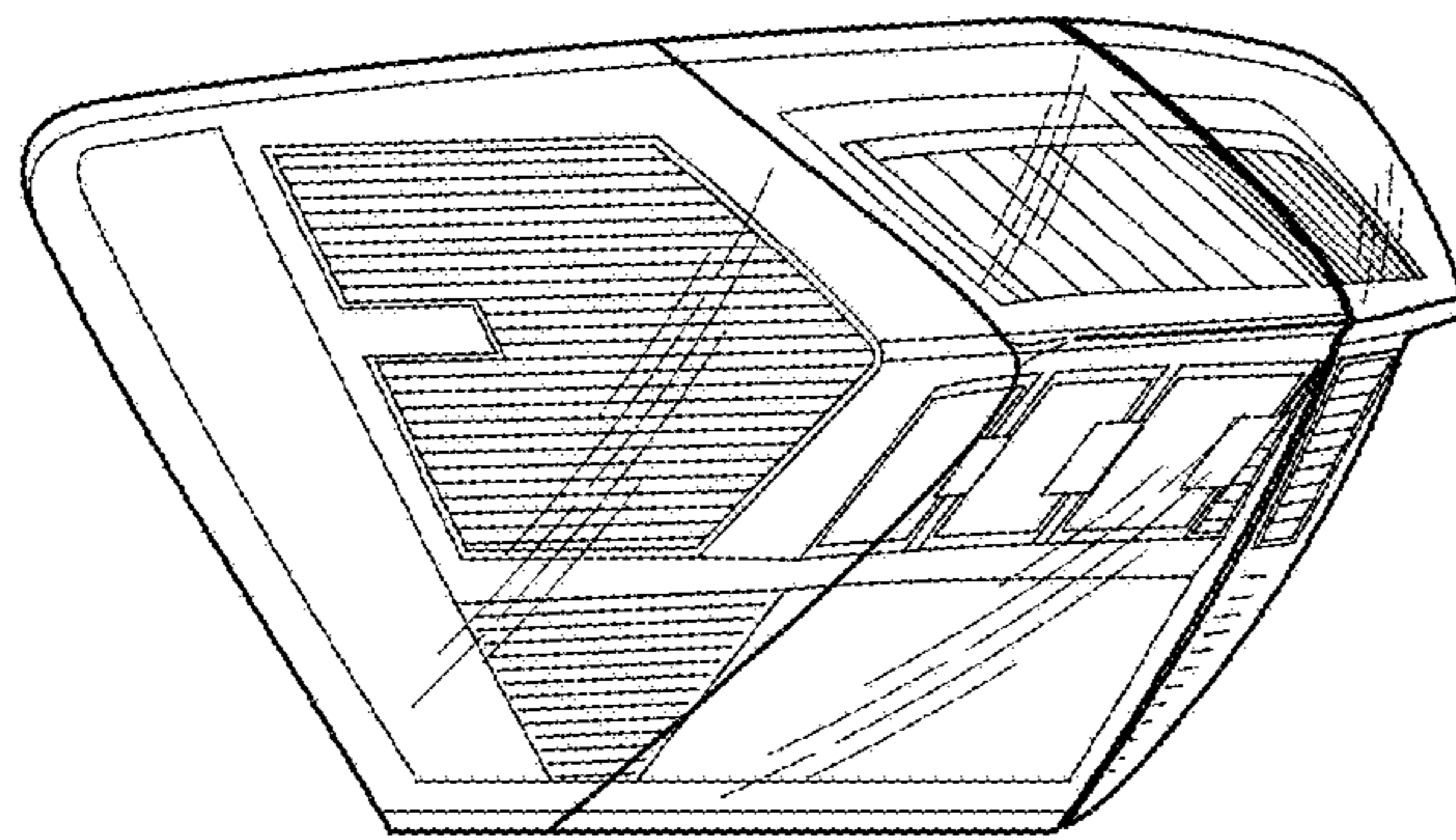


*FIG. 1*

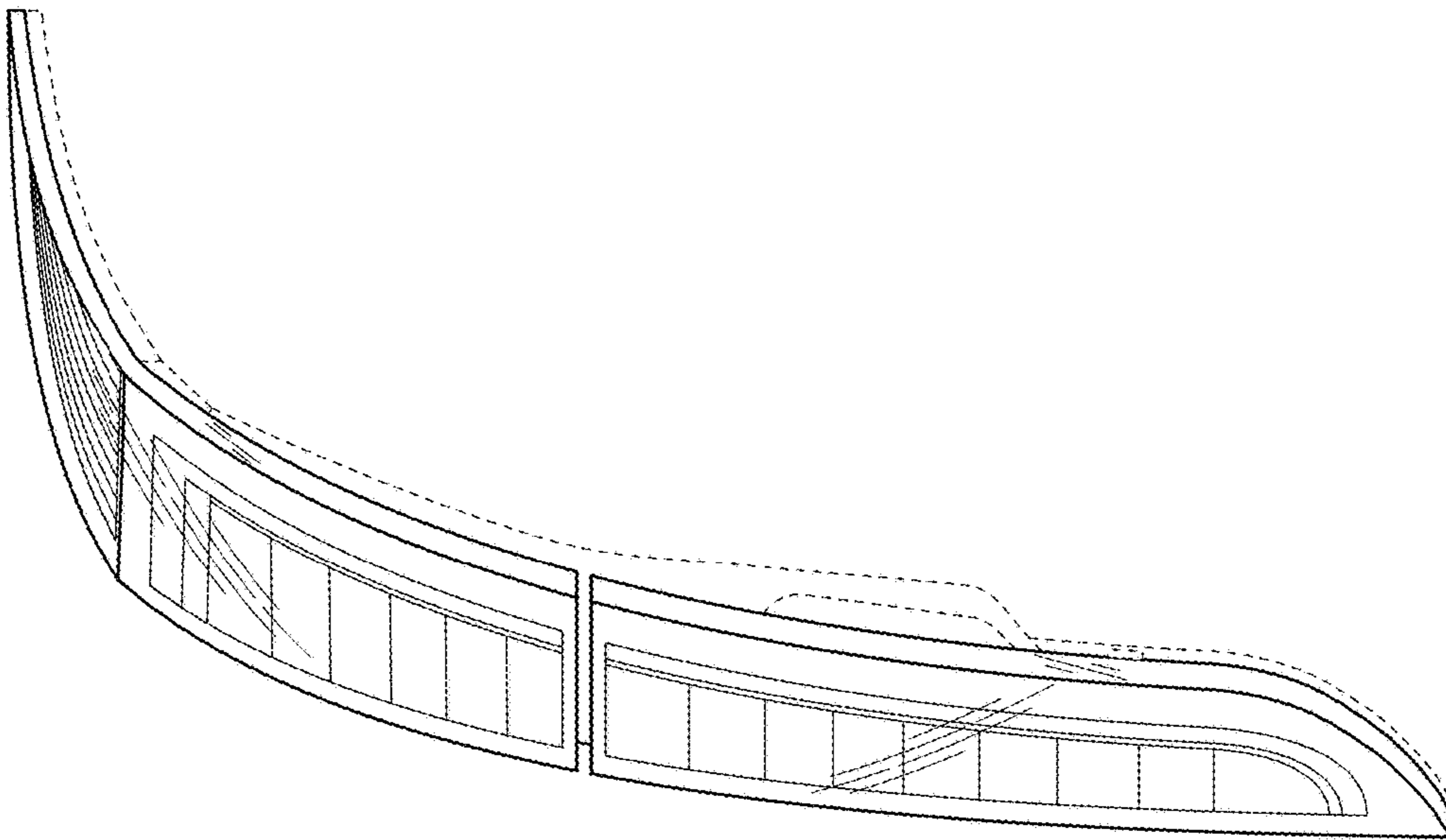


*FIG. 2*

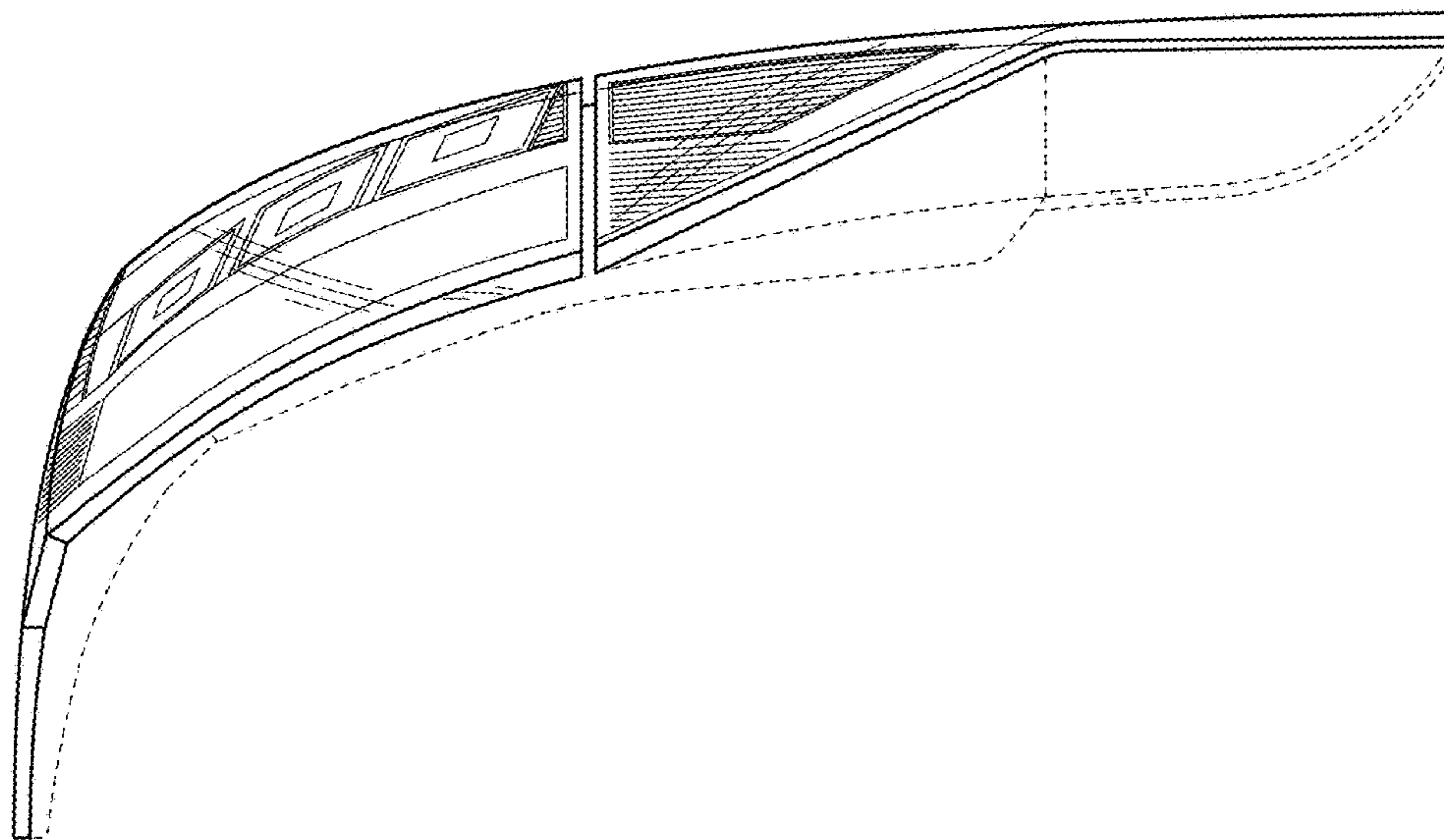




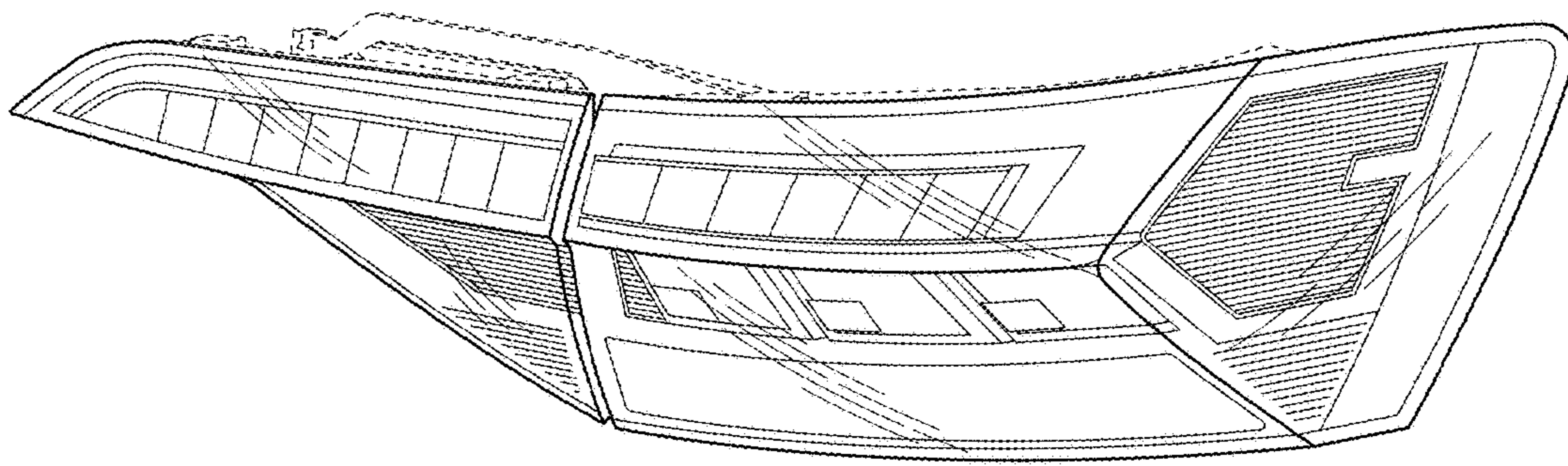
*FIG. 3*



*FIG. 4*

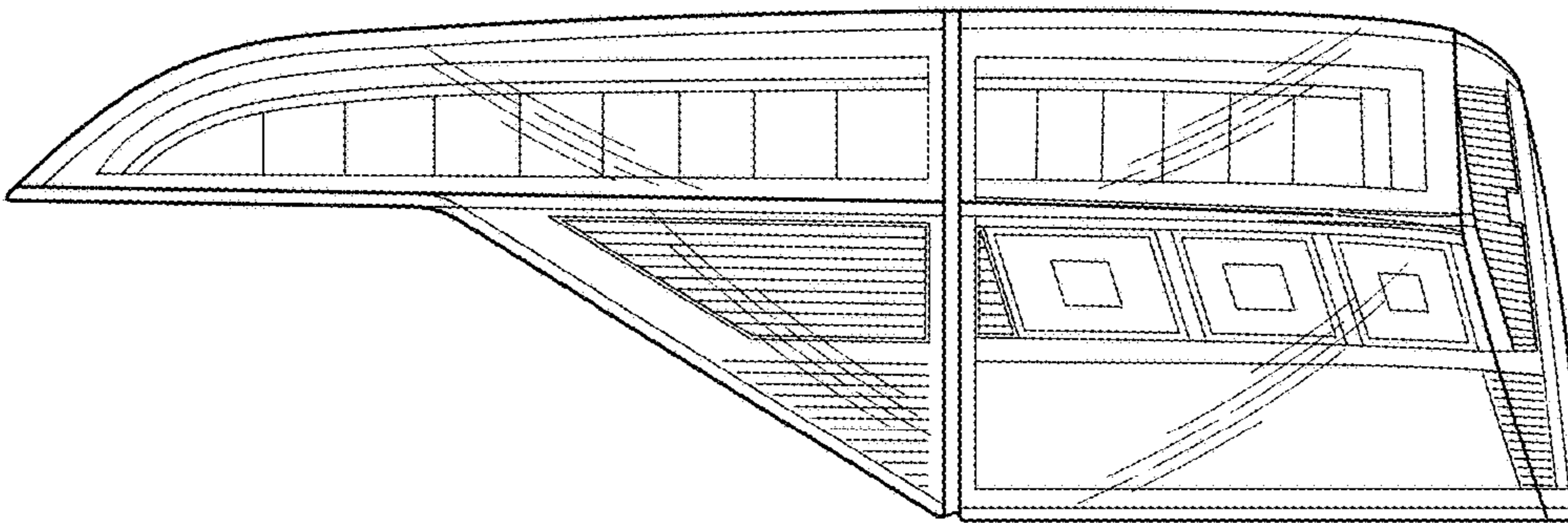


*FIG. 5*

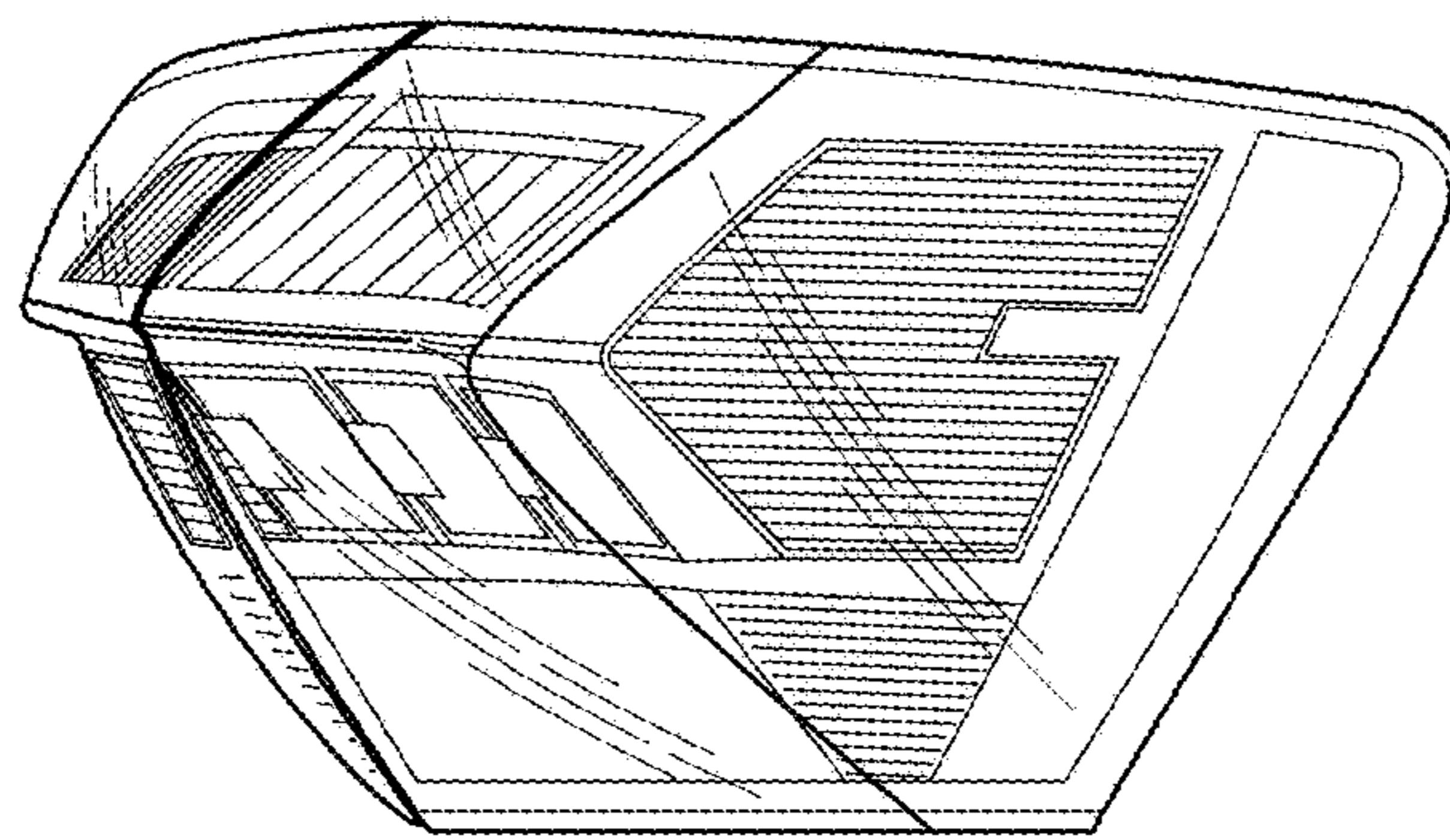


*FIG. 6*

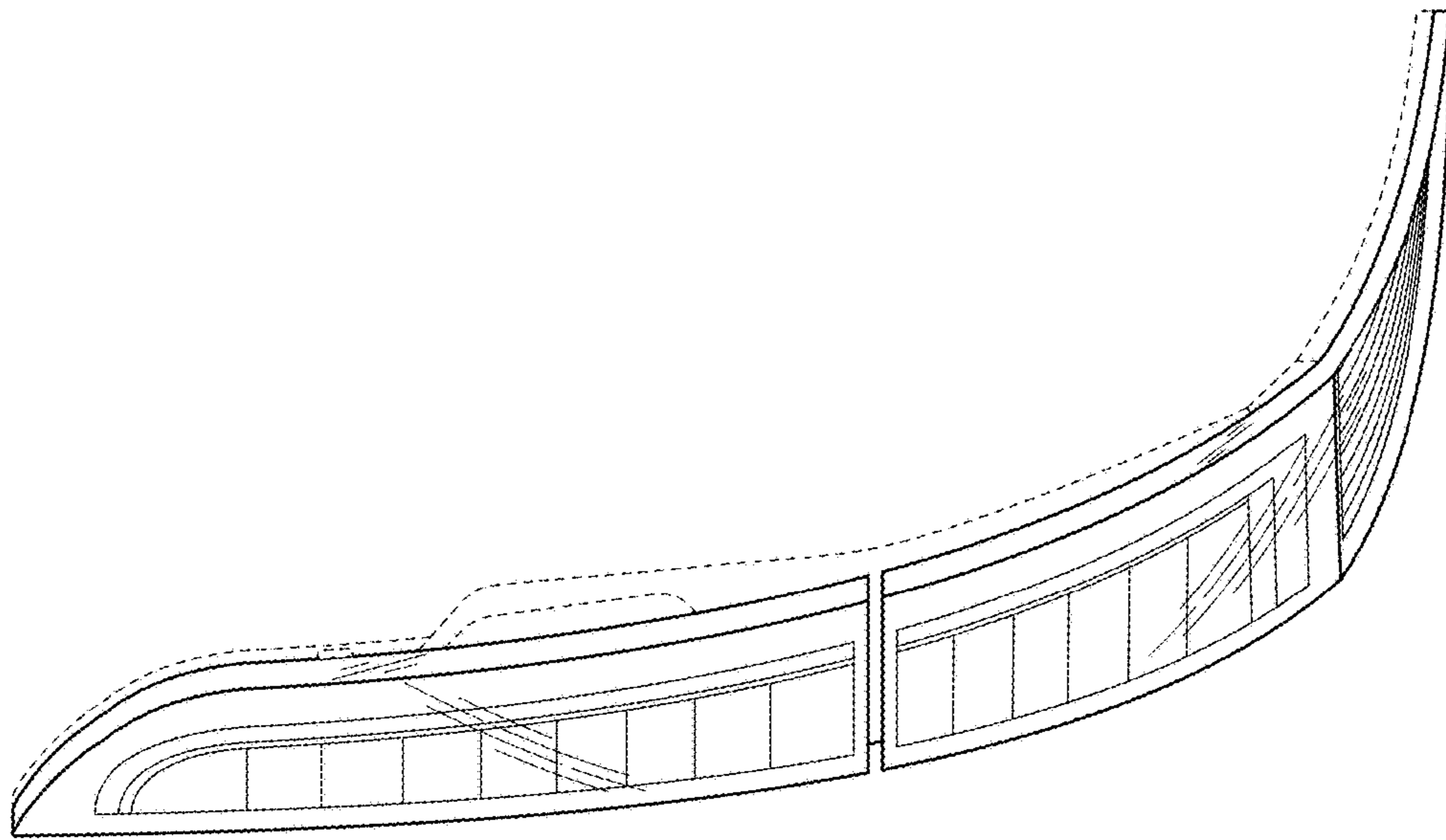




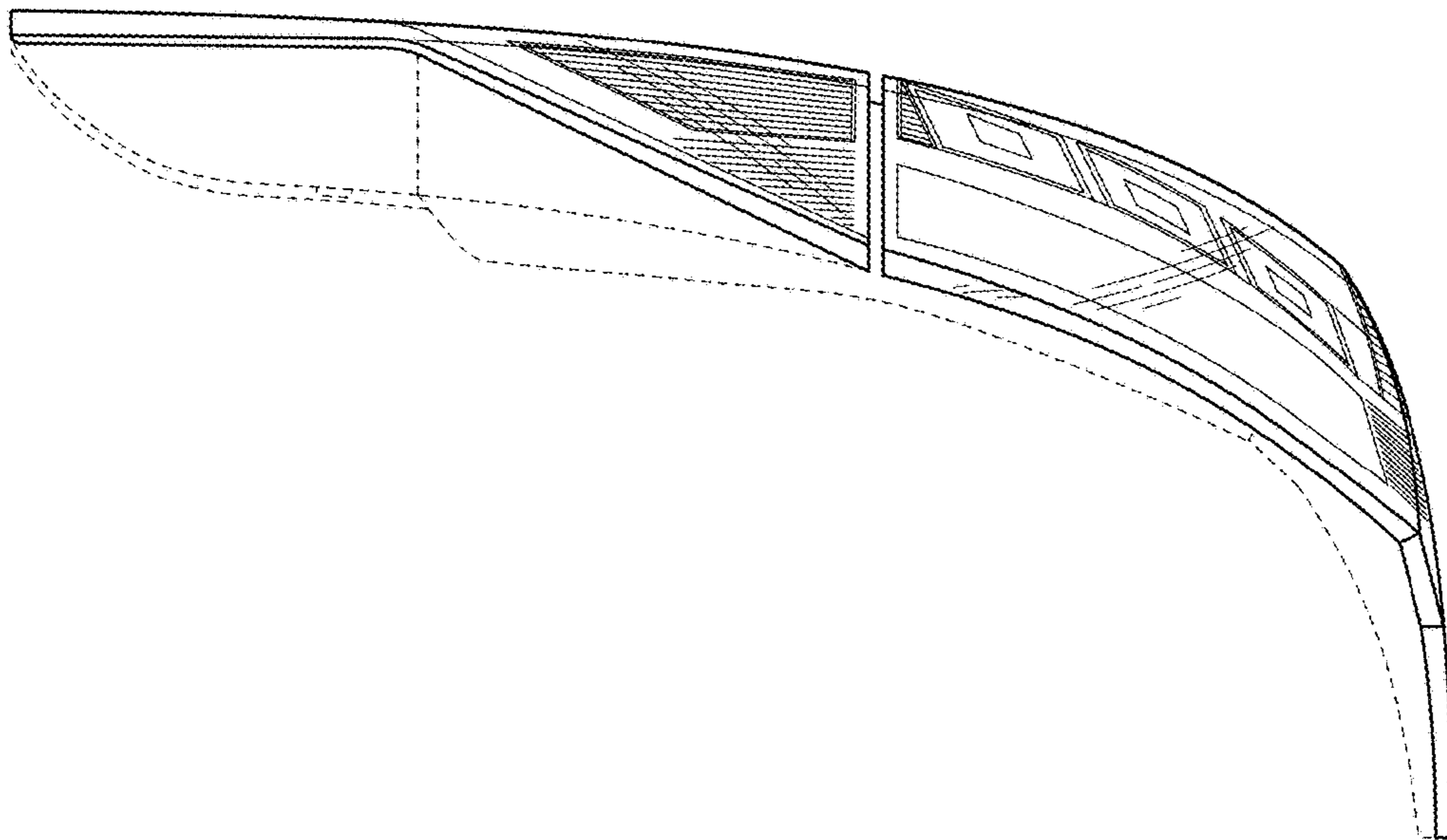
*FIG. 7*



*FIG. 8*



*FIG. 9*



*FIG. 10*