



US00D866016S

(12) **United States Design Patent** (10) **Patent No.:** **US D866,016 S**  
**Bauer** (45) **Date of Patent:** **\*\* Nov. 5, 2019**

(54) **HEADLIGHT FOR A MOTOR VEHICLE**

(71) Applicant: **Dr. Ing. h.c. F. Porsche**  
**Aktiengesellschaft, Stuttgart (DE)**

(72) Inventor: **Ulrich Bauer, Gerlingen (DE)**

(73) Assignee: **Dr. Ing. h.c. F. Porsche**  
**Aktiengesellschaft (DE)**

(\*\*) Term: **15 Years**

(21) Appl. No.: **29/621,316**

(22) Filed: **Oct. 6, 2017**

(30) **Foreign Application Priority Data**

Apr. 7, 2017 (DE) ..... 40 2017 100 460

(51) **LOC (12) Cl.** ..... **26-06**

(52) **U.S. Cl.**  
USPC ..... **D26/28**

(58) **Field of Classification Search**  
USPC ..... D26/28-36, 139  
CPC ..... F21S 48/00; F21S 48/10; F21S 48/115;  
F21S 48/225; F21S 48/1233; F21S  
48/1266; F21S 48/1388; F21S 48/2268;  
F21V 21/04; F21K 9/00; F21K 29/004;  
B60Q 9/13; B60Q 9/135; B60Q 9/1375  
See application file for complete search history.

(56) **References Cited**

**U.S. PATENT DOCUMENTS**

D528,685 S \* 9/2006 Yoshida ..... D26/28  
D544,114 S \* 6/2007 Ohta ..... D26/28

D708,366 S \* 7/2014 Minamisawa ..... D26/28  
D726,353 S \* 4/2015 Yagihashi ..... D26/28  
D745,723 S \* 12/2015 Yoshida ..... D26/28  
D765,892 S 9/2016 Redlich  
D799,728 S \* 10/2017 Whitla ..... D26/28  
D822,235 S \* 7/2018 Lin ..... D26/28

**OTHER PUBLICATIONS**

Design U.S. Appl. No. 29/592,789, by Yamashita, filed Feb. 2, 2017.  
Design U.S. Appl. No. 29/592,791, by Yamashita, filed Feb. 2, 2017.  
Chinese Notice of Amendment for Chinese Application No.  
201730477798.3, dated Apr. 11, 2019, with partial translation, 2  
pages.

\* cited by examiner

*Primary Examiner* — Marcus A Jackson

(74) *Attorney, Agent, or Firm* — RatnerPrestia

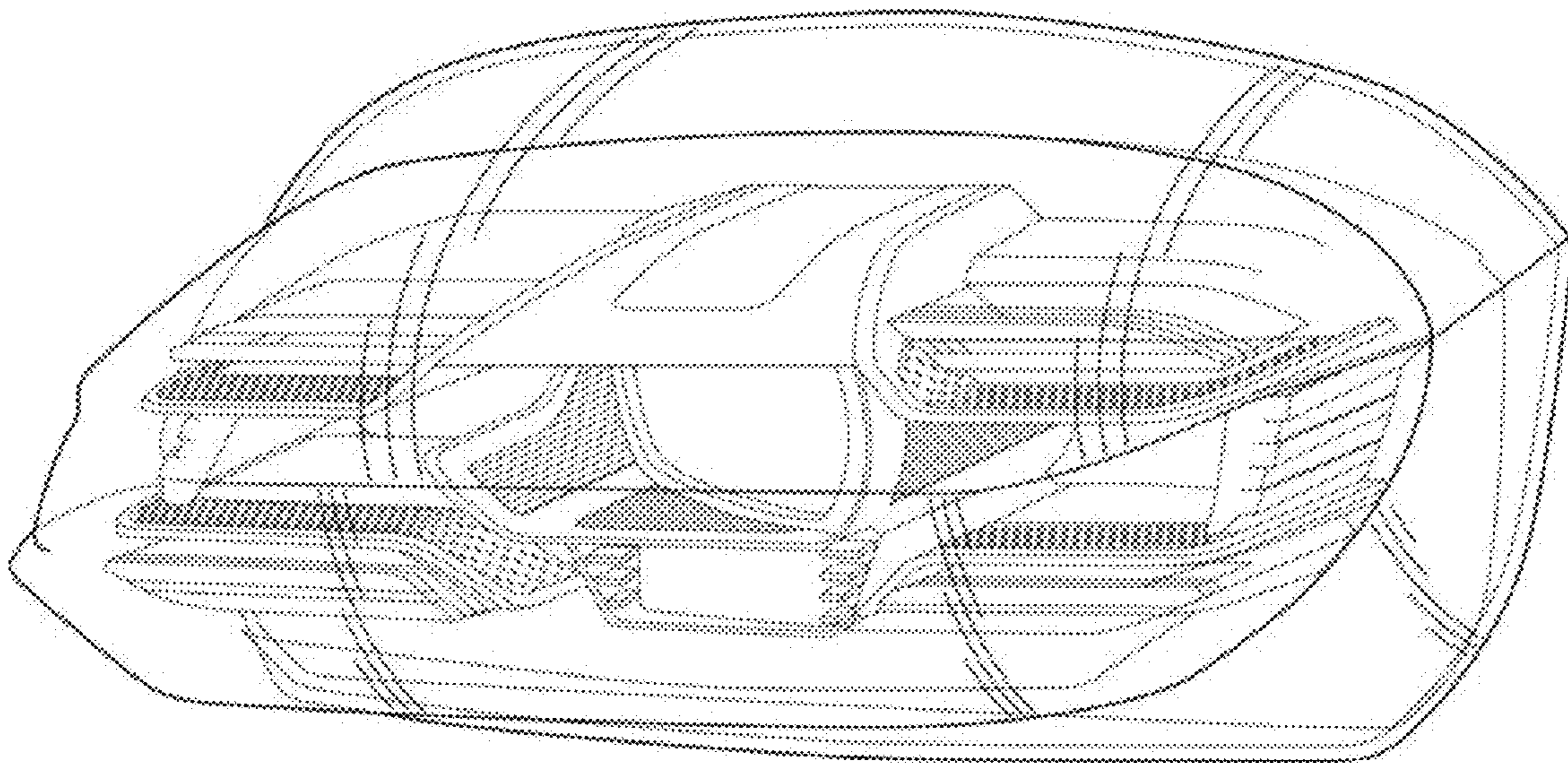
(57) **CLAIM**

The ornamental design for a headlight for a motor vehicle,  
as shown and described.

**DESCRIPTION**

FIG. 1 is a right side perspective view of a headlight for a  
motor vehicle;  
FIG. 2 is an elevation view thereof from the left side;  
FIG. 3 is a front elevation view thereof;  
FIG. 4 is an elevation view thereof from the right side;  
FIG. 5 is a top plan view thereof; and,  
FIG. 6 is a bottom plan view thereof.  
The broken line showing of the headlight for a motor vehicle  
is for the purpose of illustrating portions of the headlight for  
a motor vehicle and forms no part of the claimed design.

**1 Claim, 6 Drawing Sheets**



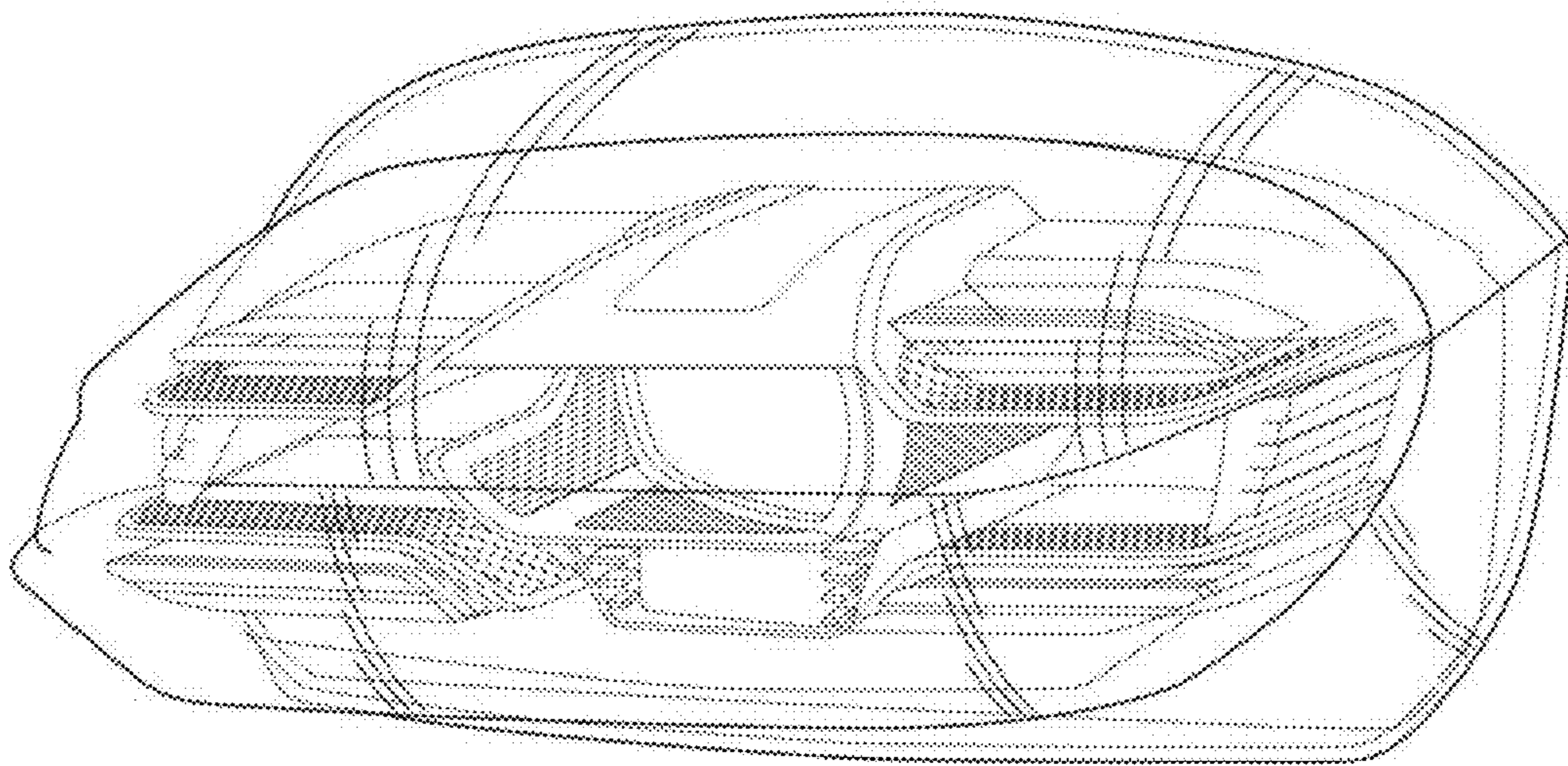


FIG. 1



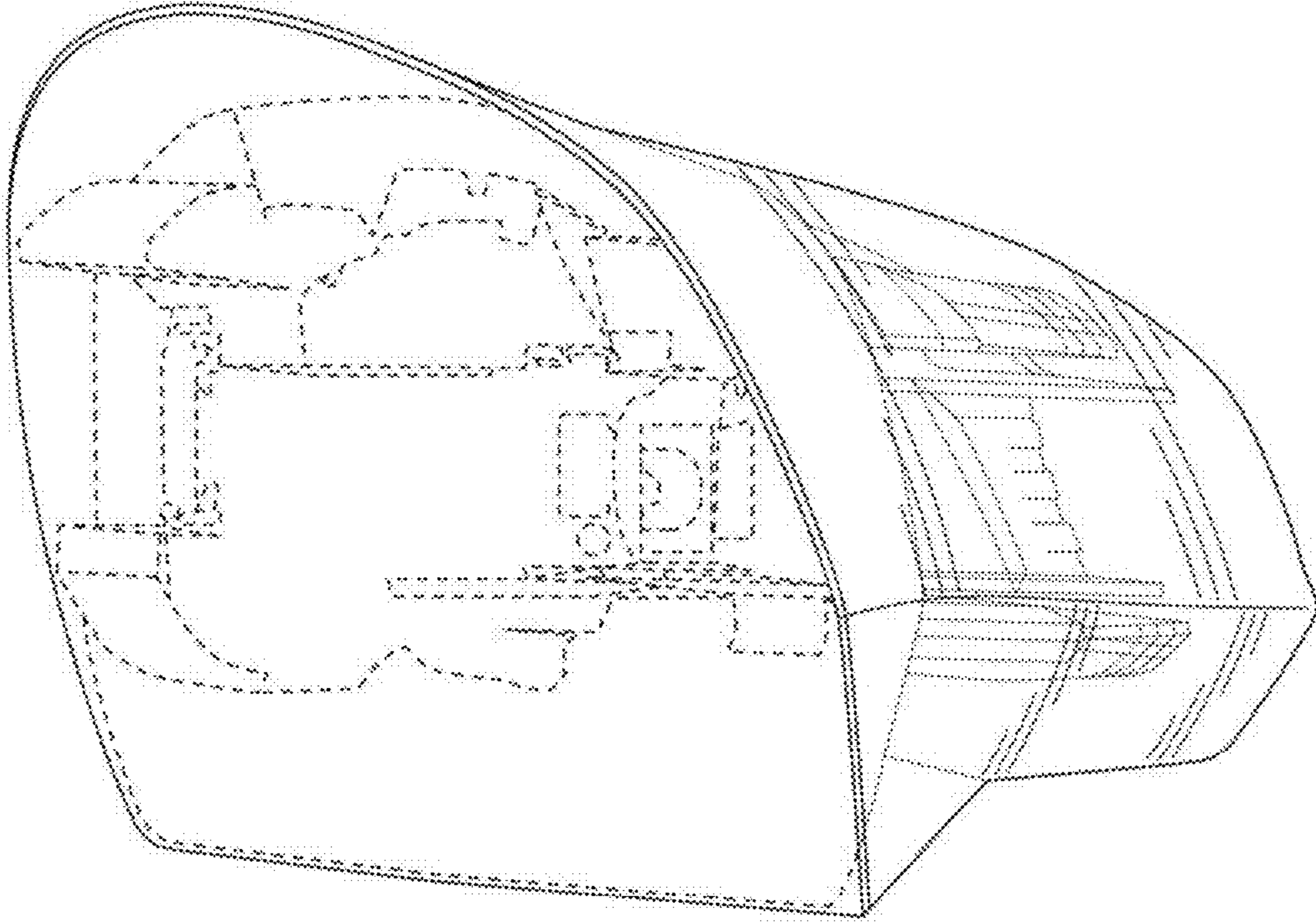


FIG. 2

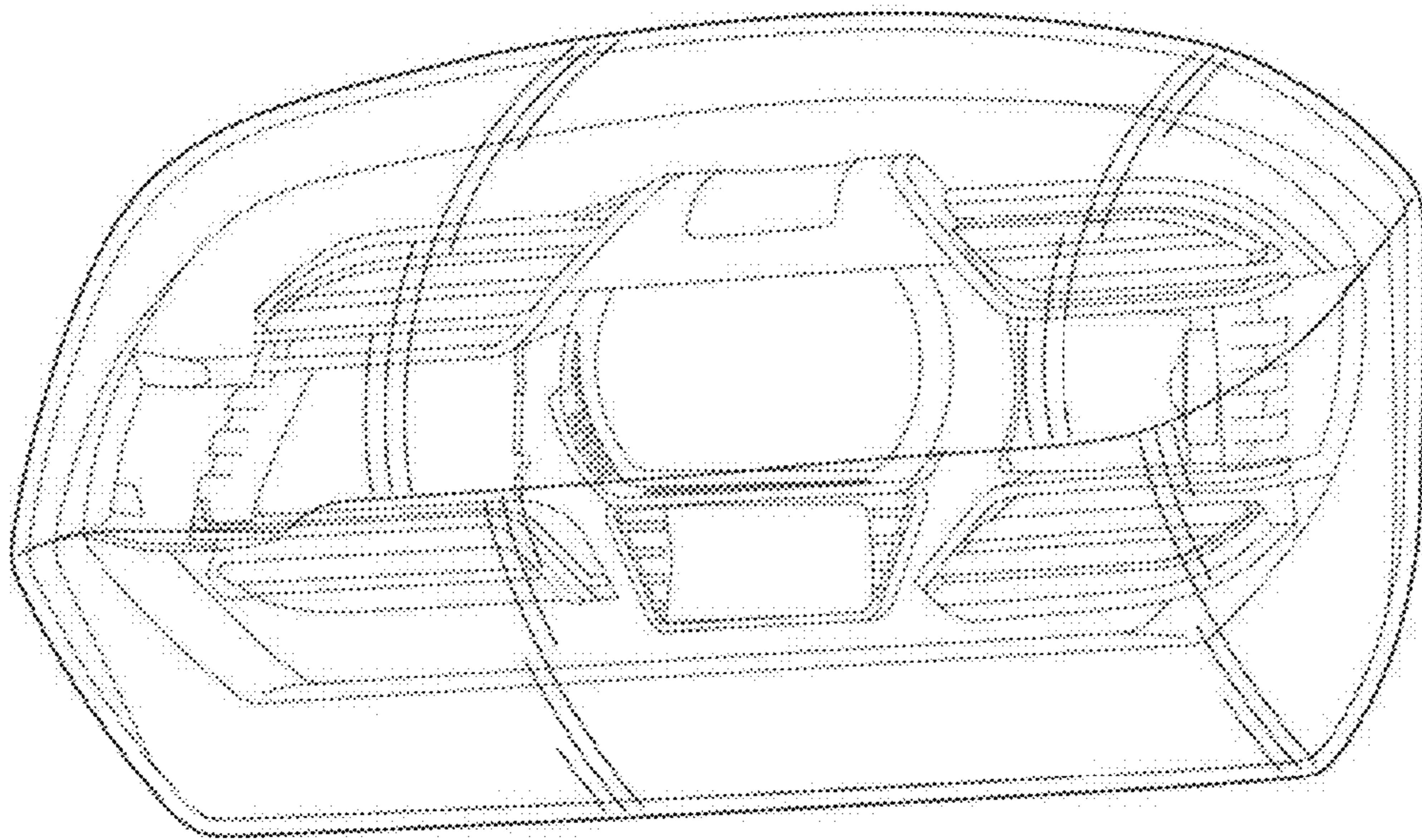


FIG. 3

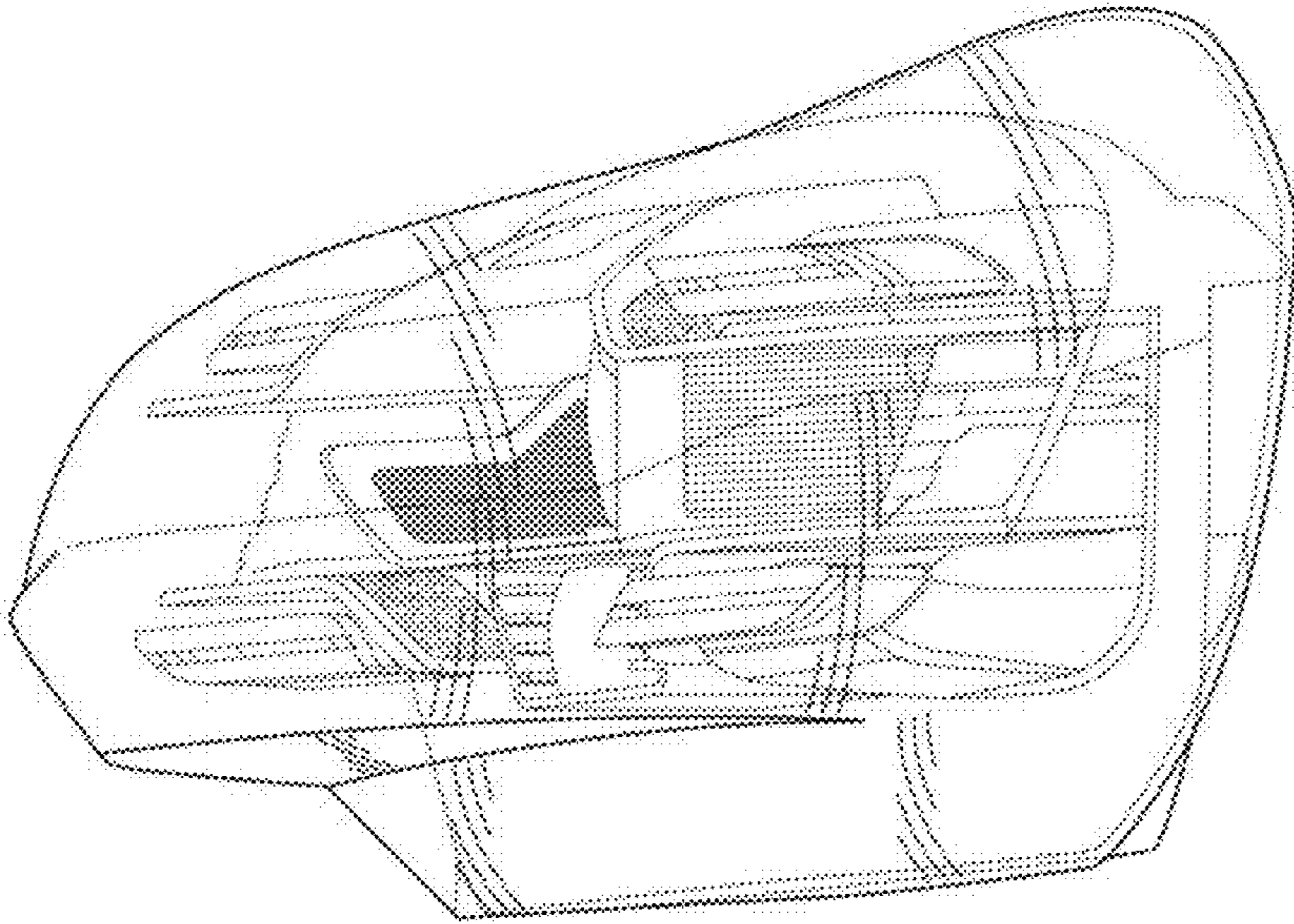


FIG. 4

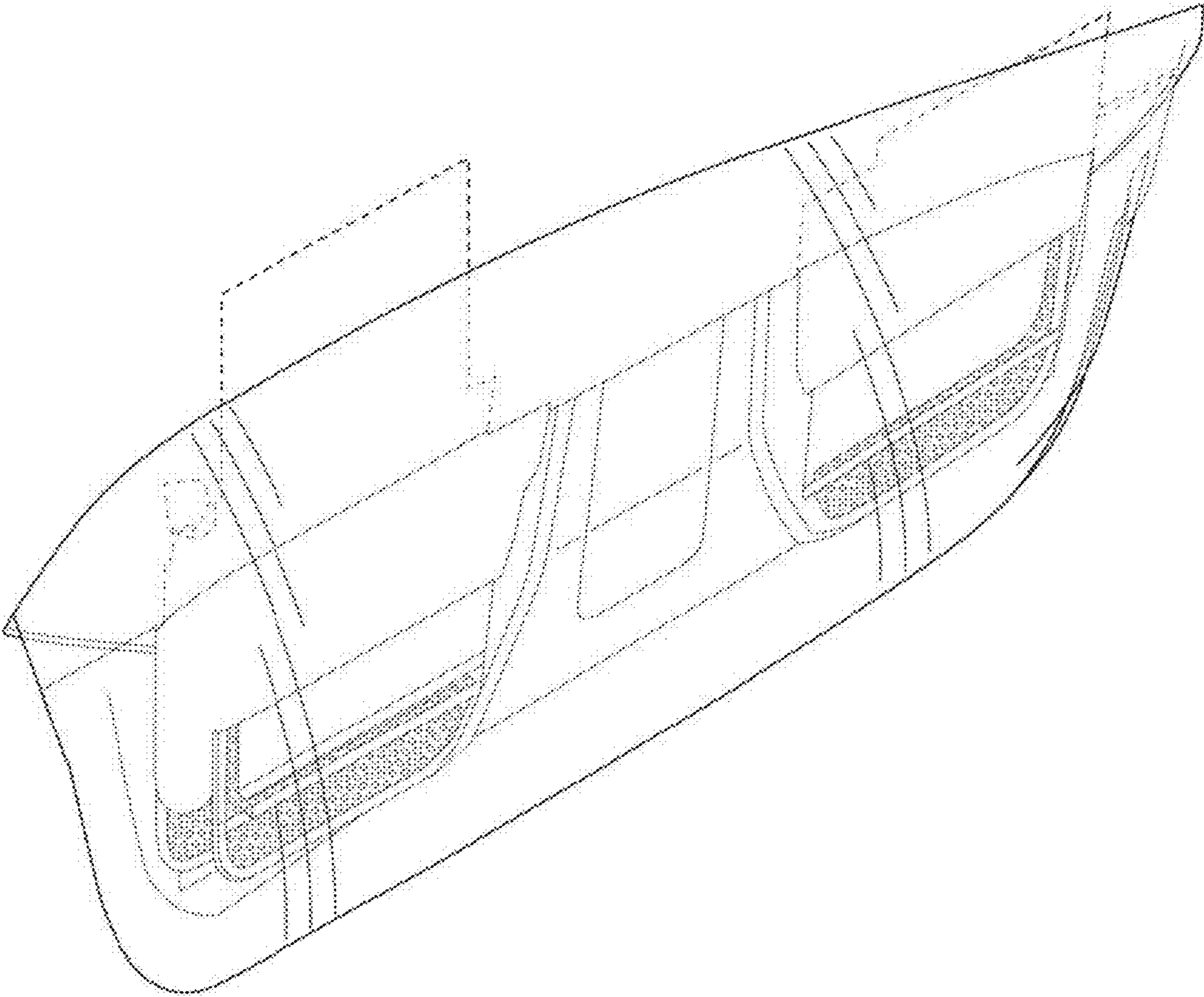


FIG. 5



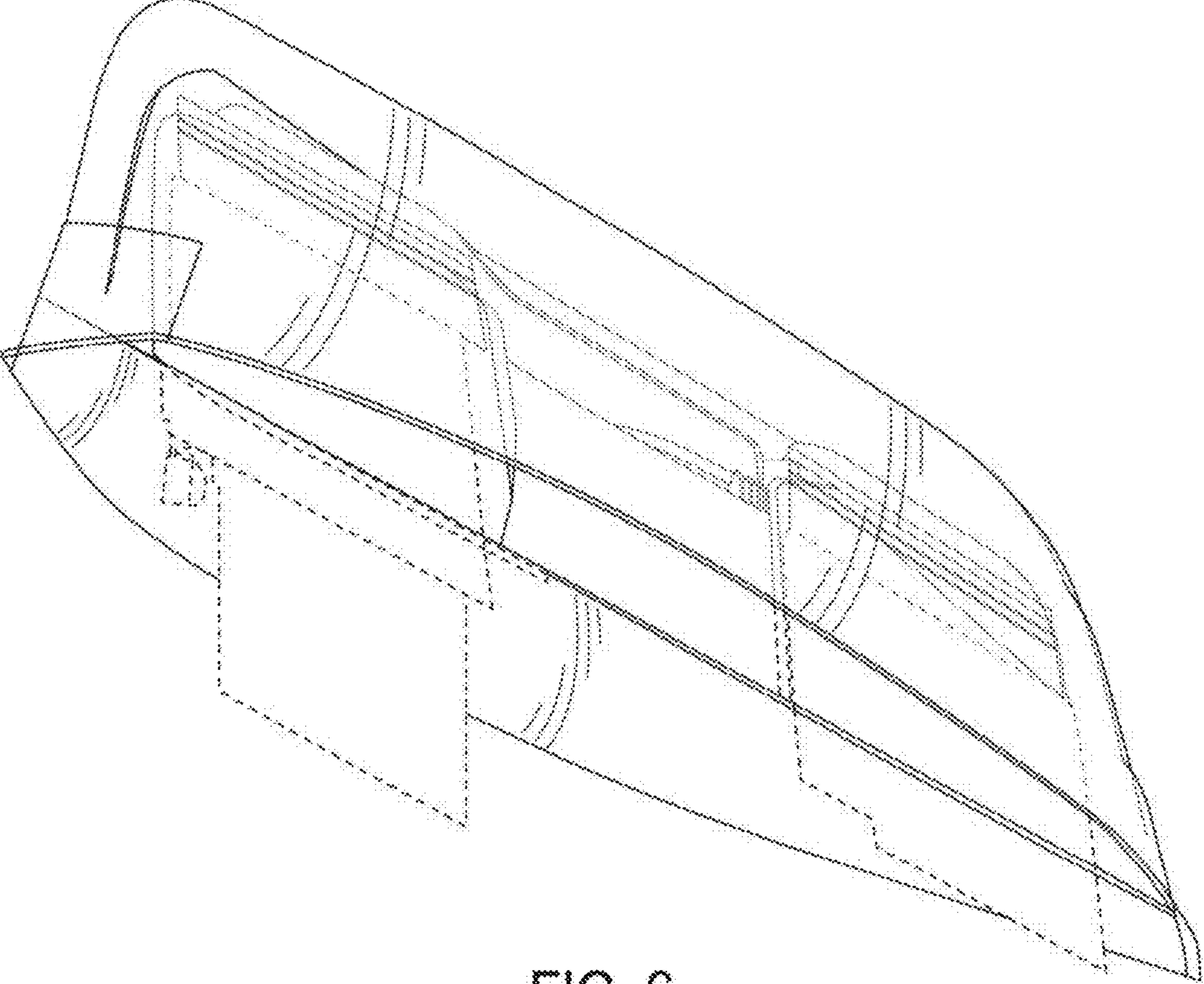


FIG. 6