

US00D866014S

(12) **United States Design Patent** (10) **Patent No.:** **US D866,014 S**
Zhang (45) **Date of Patent:** **** Nov. 5, 2019**

(54) **SPHERICAL LIGHT**
(71) Applicant: **Shenzhen City Yuyiyuan Technology Co., Ltd.**, Guangdong (CN)
(72) Inventor: **Donglin Zhang**, Guangdong (CN)
(**) Term: **15 Years**
(21) Appl. No.: **29/647,143**
(22) Filed: **May 10, 2018**
(51) **LOC (12) Cl.** **26-03**
(52) **U.S. Cl.**
USPC **D26/24**

(58) **Field of Classification Search**
USPC D26/1, 24, 36, 40, 72, 81, 83, 123, 124, D26/128, 129; D10/104.1, 114.1, 114.2; D7/500, 522
CPC F21V 1/00; F21V 1/02; F21V 1/04; F21V 1/14; F21V 3/00; F21V 3/02; F21V 5/00; F21V 5/002; F21V 15/00; F21V 15/01; F21V 15/02; F21V 21/02; F21K 9/23; F21K 9/232; F21K 9/237; F21S 9/022; F21S 9/024; F21S 6/00; F21S 6/002; F21S 8/02; F21S 8/03; F21S 8/04; F21S 8/003; F21S 8/033; F21S 8/036
See application file for complete search history.

(56) **References Cited**

U.S. PATENT DOCUMENTS

D318,336 S * 7/1991 Hazerjian D26/134
D392,764 S * 3/1998 Balish, Jr. D26/105

D404,681 S * 1/1999 Galerneau D11/121
D434,520 S * 11/2000 Milicia D26/129
D468,044 S * 12/2002 Lam D26/104
D481,157 S * 10/2003 Fickas D26/128
D673,728 S * 1/2013 Cartwright D26/142
D782,101 S * 3/2017 Varga D26/121
D828,948 S * 9/2018 Altamura D26/113

* cited by examiner

Primary Examiner — Wan Laymon
Assistant Examiner — Clint A Samuel
(74) *Attorney, Agent, or Firm* — Prakash Nama; Global IP Services, PLLC

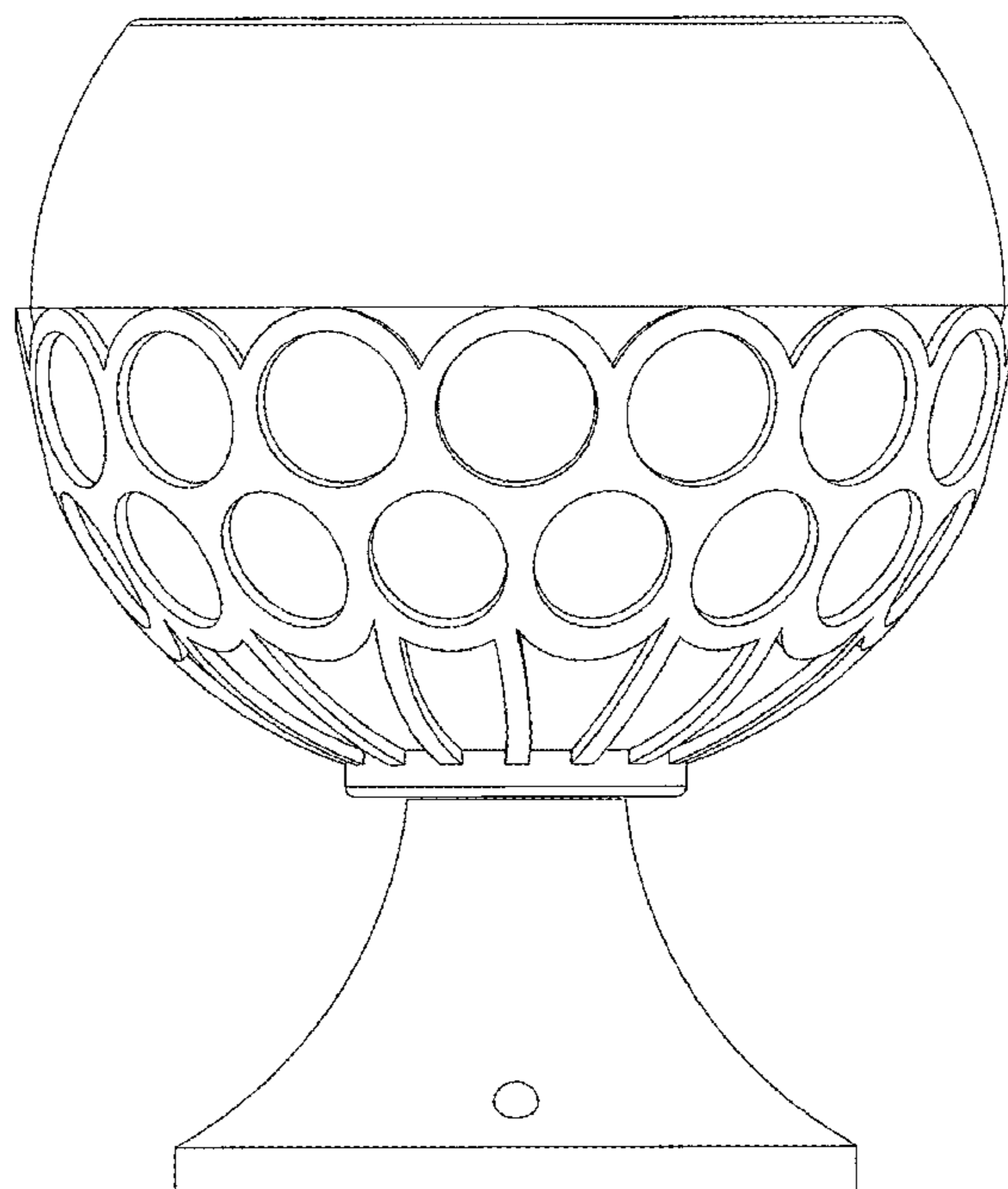
(57) **CLAIM**

The ornamental design for a spherical light, as shown and described.

DESCRIPTION

FIG. 1 is a front elevational view of a spherical light showing my new design;
FIG. 2 is a rear elevational view thereof;
FIG. 3 is a left side view thereof;
FIG. 4 is a right side view thereof;
FIG. 5 is a top plan view in enlarge scale thereof;
FIG. 6 is a bottom plan view in enlarge scale thereof;
FIG. 7 is a perspective view thereof; and,
FIG. 8 is a second perspective view thereof.
The broken lines shown in FIG. 6 are included for the purpose of illustrating portions of the spherical light and form no part of the claimed design.

1 Claim, 8 Drawing Sheets



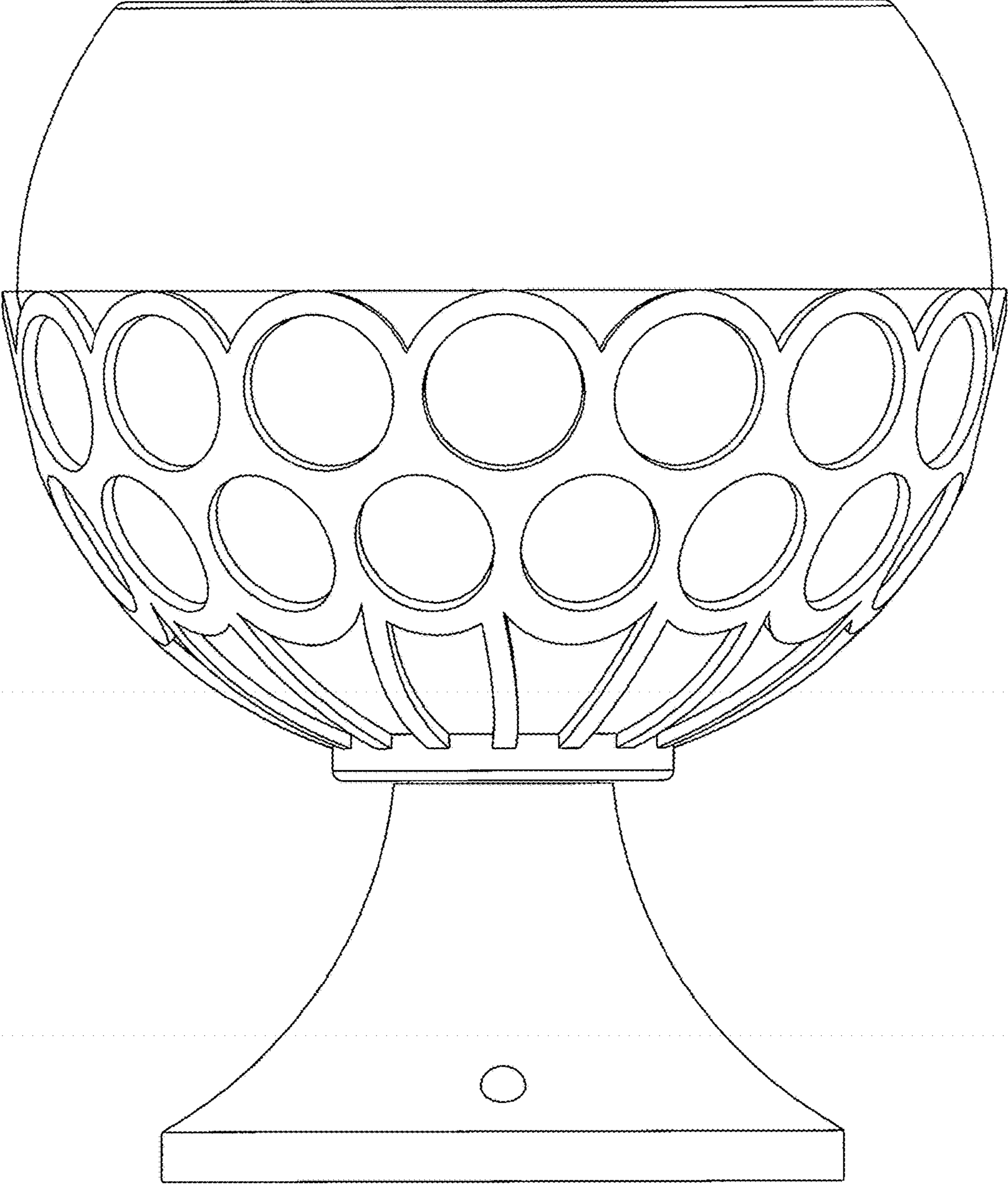


FIG. 1

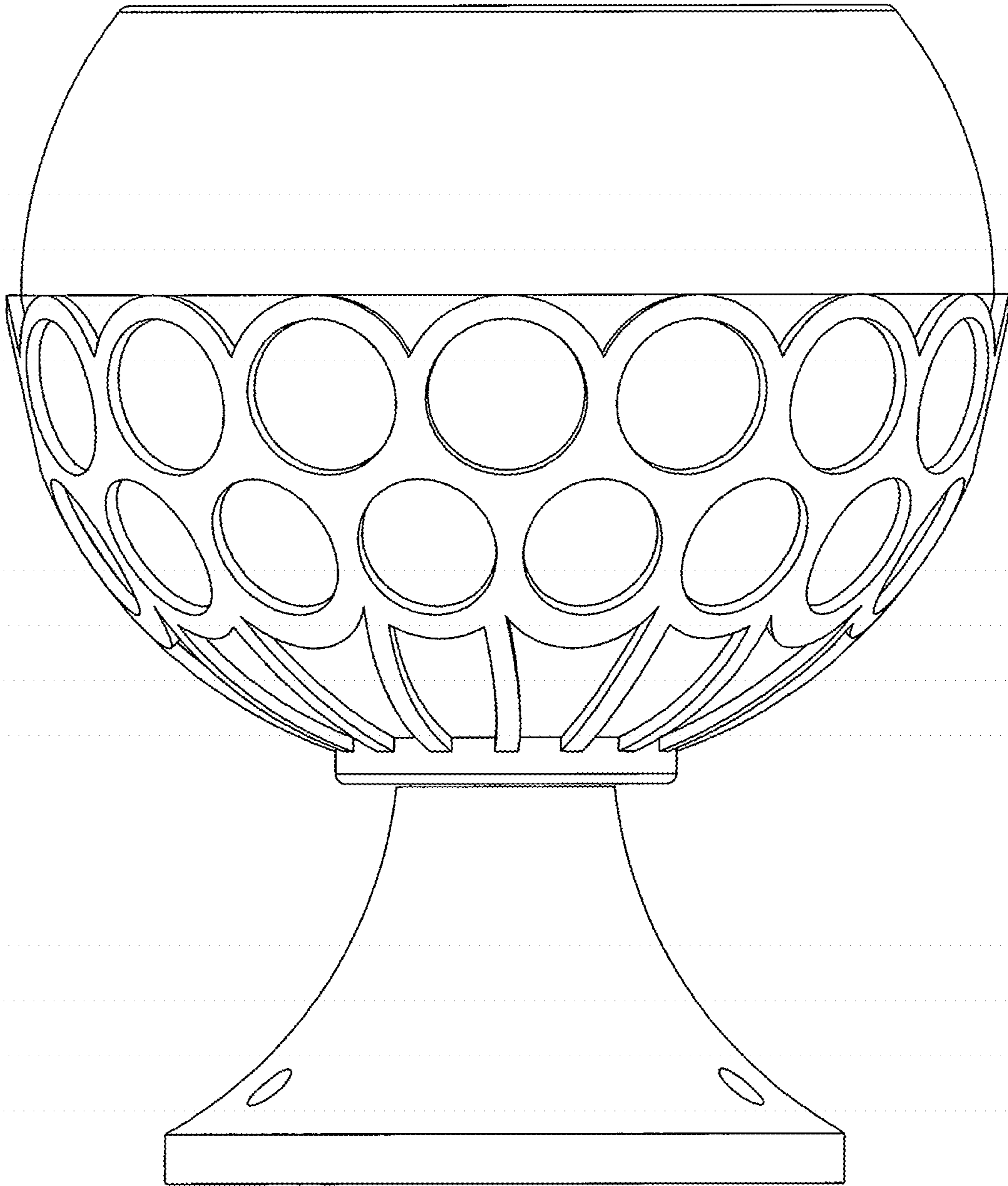


FIG. 2

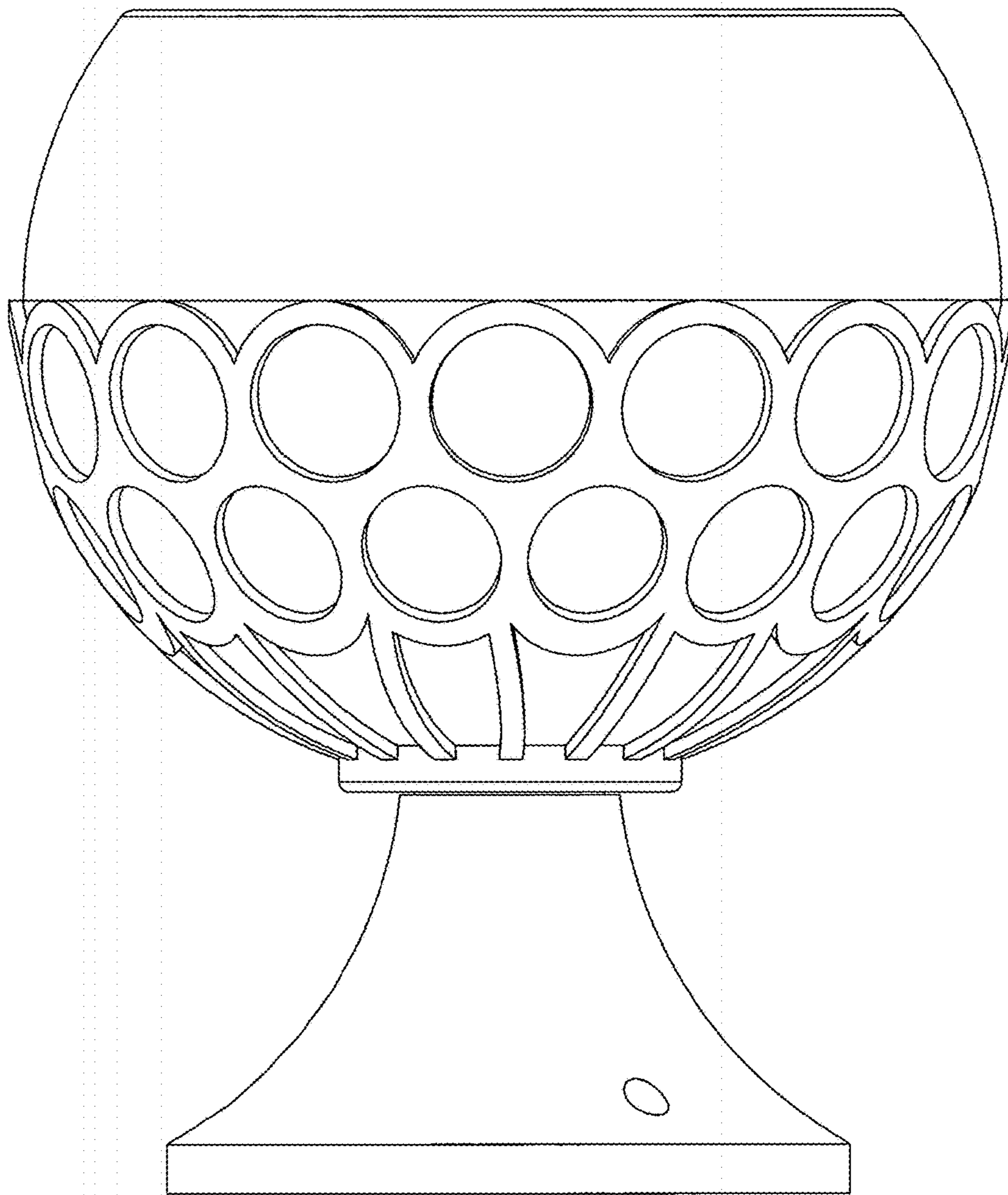


FIG. 3

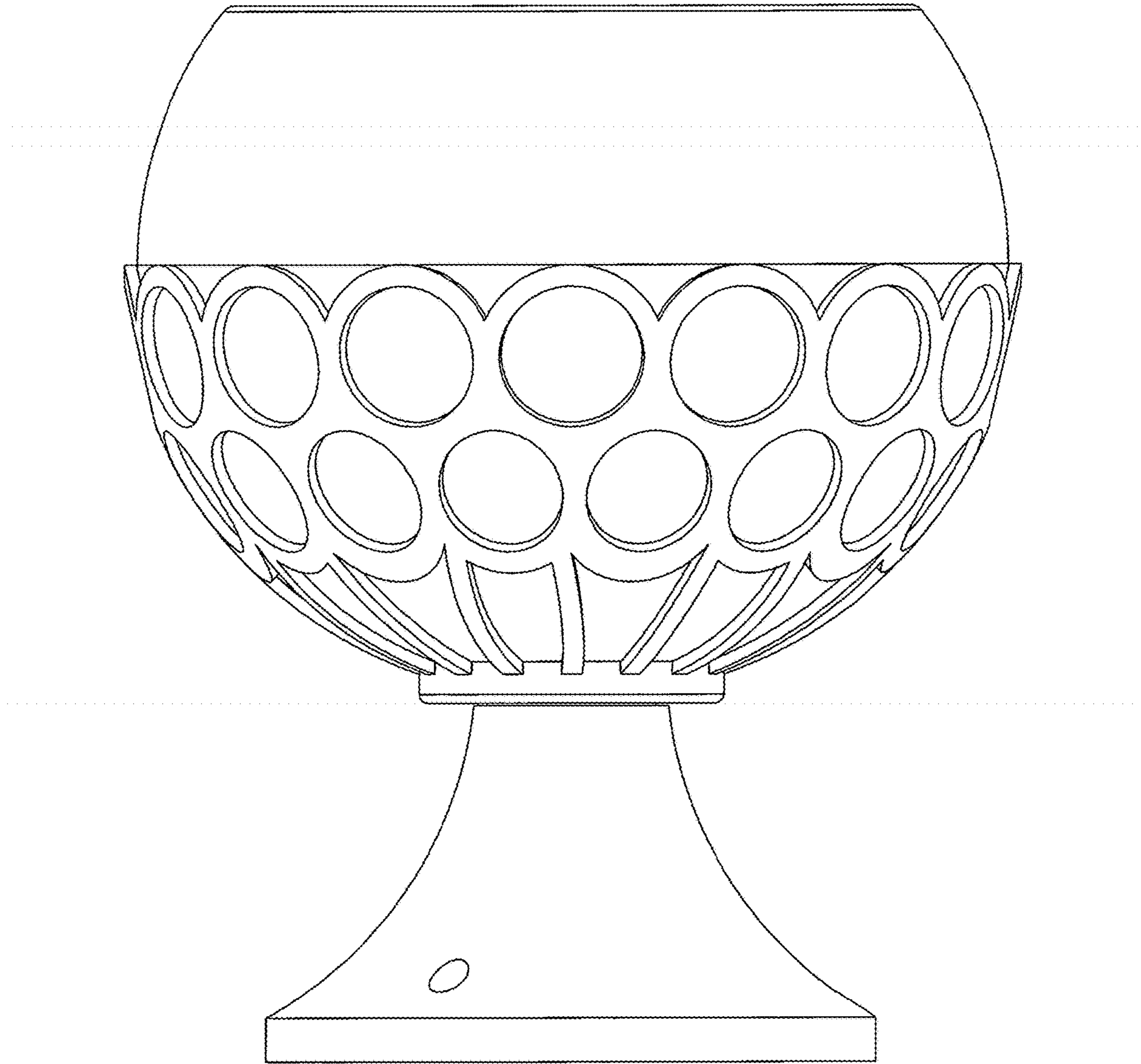


FIG. 4

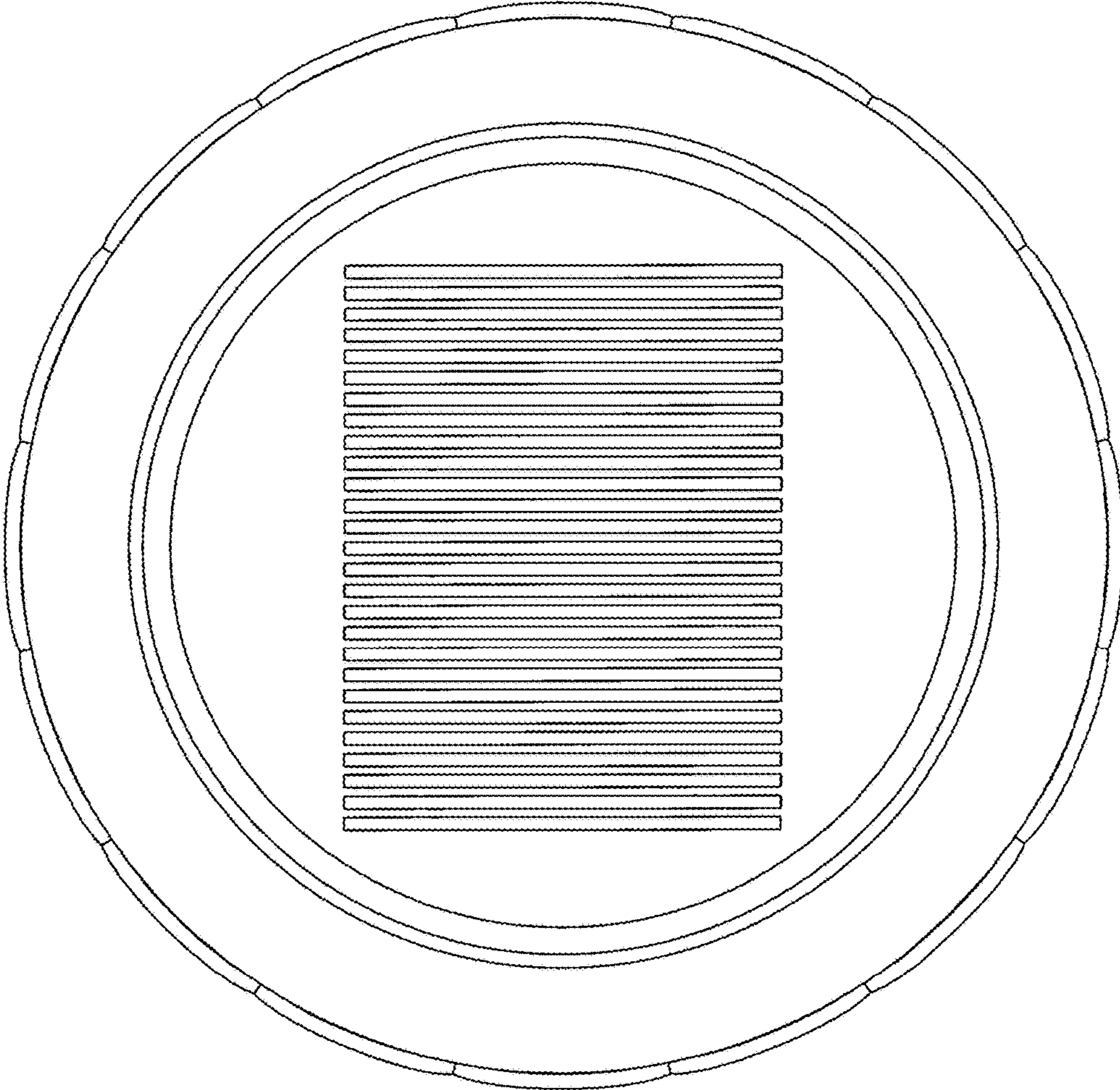


FIG. 5

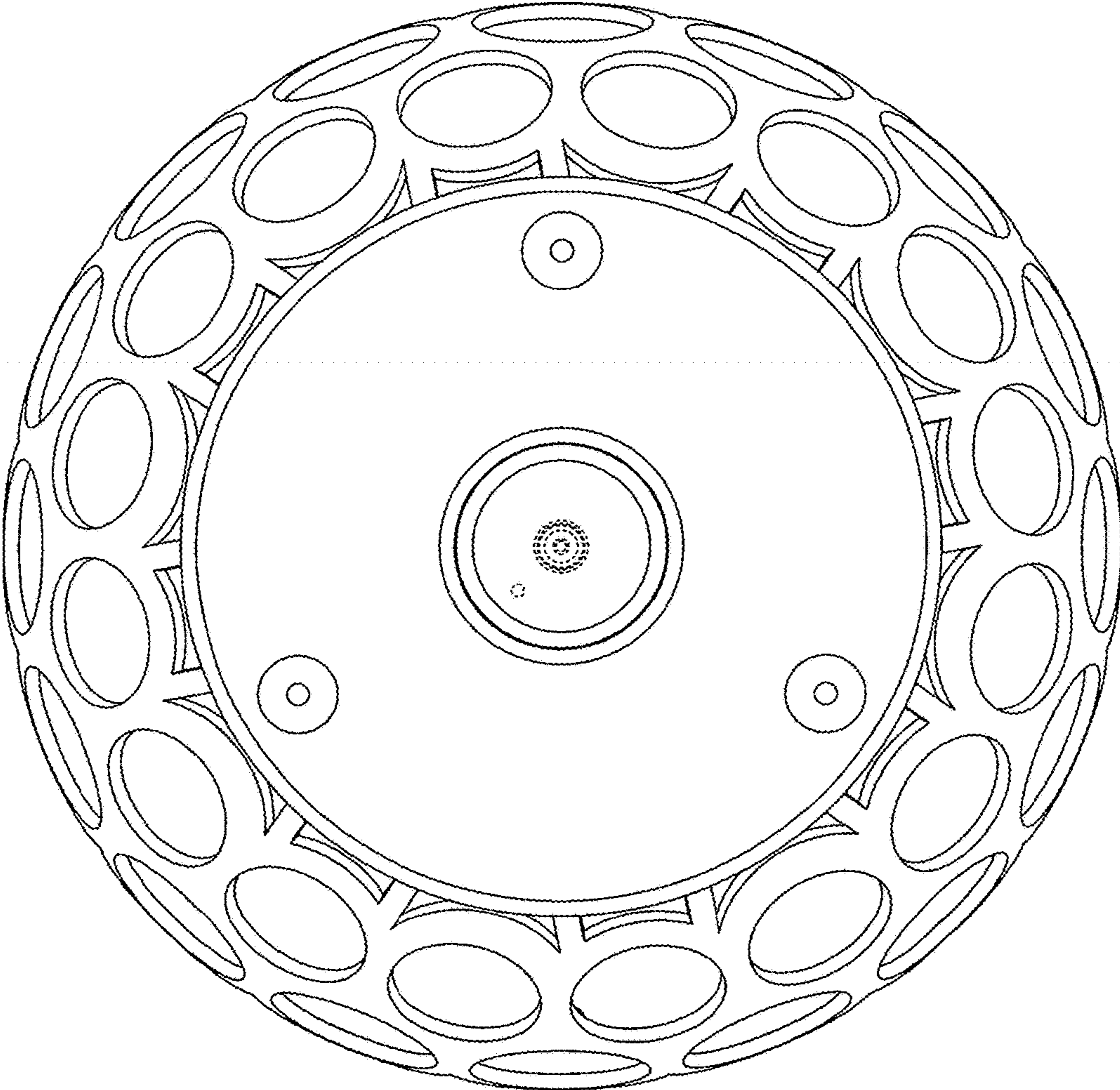


FIG. 6

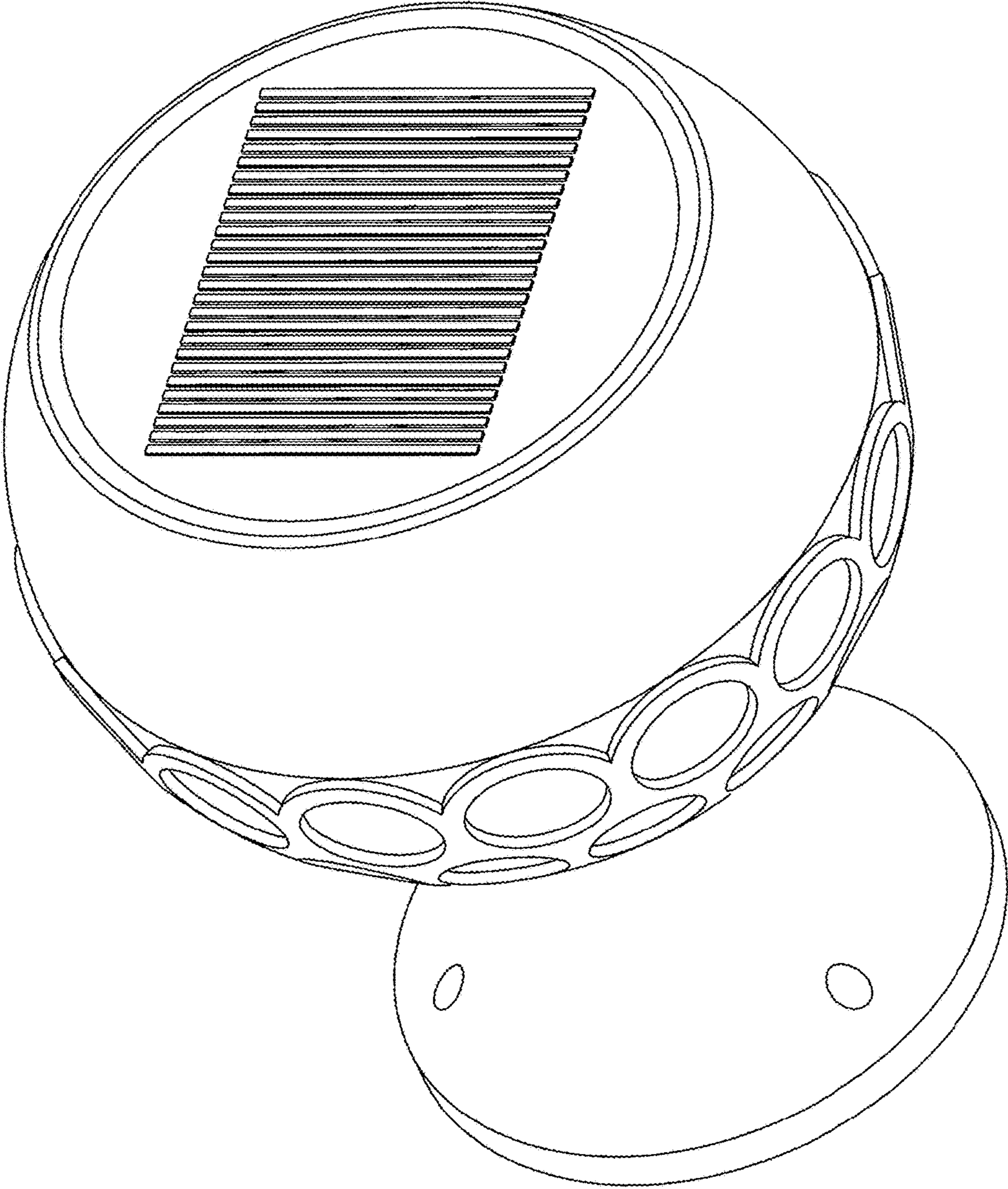


FIG. 7

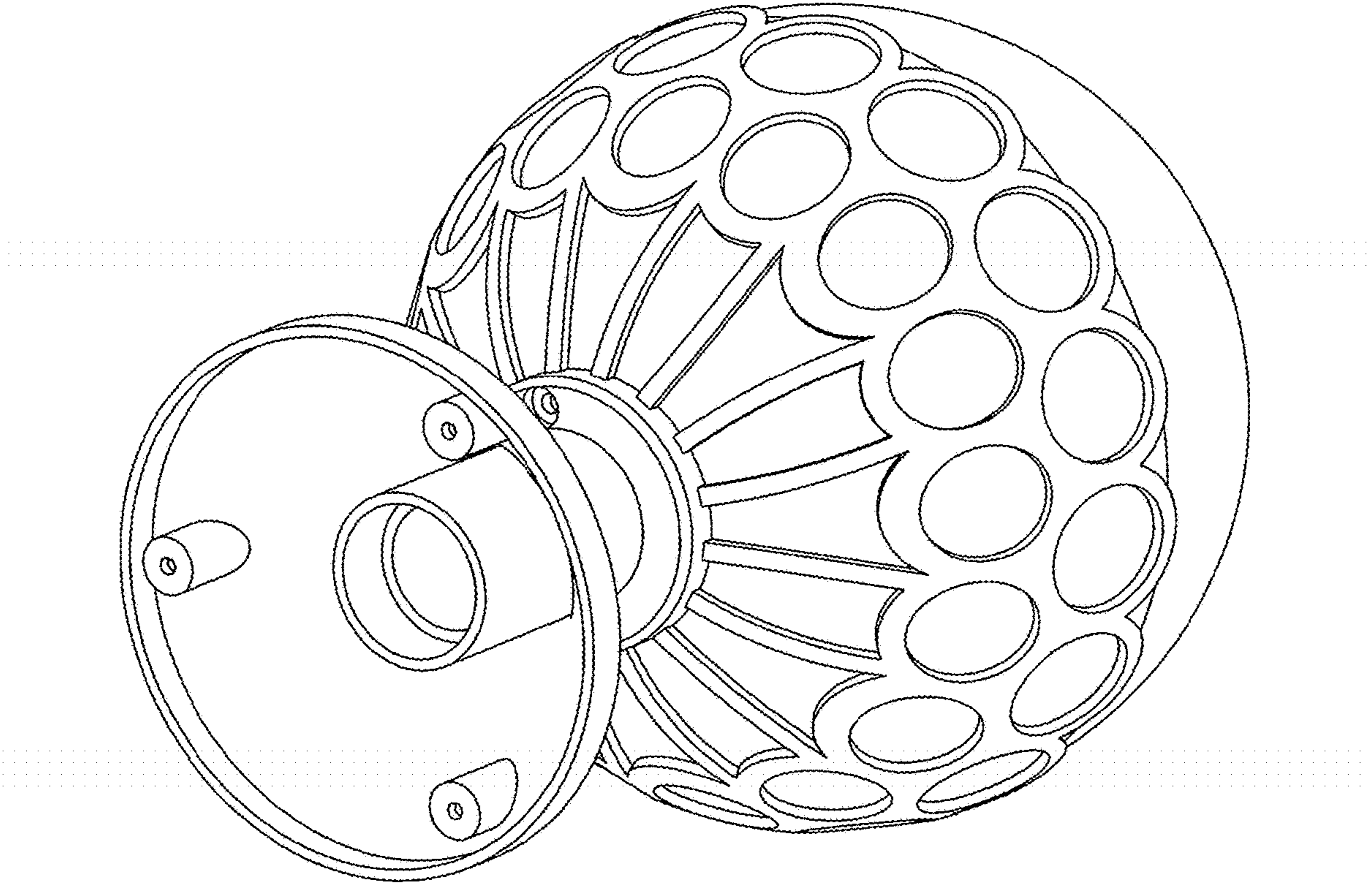


FIG. 8