

US00D866010S

(12) **United States Design Patent**
Niizeki et al.

(10) **Patent No.:** **US D866,010 S**

(45) **Date of Patent:** **** Nov. 5, 2019**

(54) **LIGHT EMITTING DIODE**

(71) Applicant: **NIKKISO CO., LTD.**, Tokyo (JP)

(72) Inventors: **Shoichi Niizeki**, Ishikawa (JP);
Hiroyasu Ichinokura, Ishikawa (JP)

(73) Assignee: **NIKKISO CO., LTD.**, Tokyo (JP)

(**) Term: **15 Years**

(21) Appl. No.: **29/626,543**

(22) Filed: **Nov. 17, 2017**

(30) **Foreign Application Priority Data**

Jun. 15, 2017 (JP) 2017-012855

(51) **LOC (12) Cl.** **26-04**

(52) **U.S. Cl.**
USPC **D26/1**

(58) **Field of Classification Search**
USPC D26/1

CPC ... H01L 25/167; H01L 25/0753; H01L 27/15;
H01L 27/56; H01L 31/02; H01L 33/00;
H01L 33/04; H01L 33/08; H01L 33/10;
H01L 33/20; H01L 33/38; H01L 33/42;
H01L 33/483; H01L 33/486

See application file for complete search history.

(56) **References Cited**

U.S. PATENT DOCUMENTS

D590,522 S * 4/2009 Tu D26/1
D704,358 S * 5/2014 Joo D26/1
D715,461 S * 10/2014 Chen D26/1

D730,548 S * 5/2015 Elwell D26/1
D742,554 S * 11/2015 Kanemaru D26/1
D805,659 S * 12/2017 Hochman D26/1
D815,762 S * 4/2018 Wang D26/1

* cited by examiner

Primary Examiner — Marcus A Jackson

(74) *Attorney, Agent, or Firm* — Muncy, Geissler, Olds & Lowe, P.C.

(57) **CLAIM**

The ornamental design for a light emitting diode, as shown and described.

DESCRIPTION

FIG. 1 is a top perspective view of a light emitting diode showing our new design;

FIG. 2 is a bottom perspective view thereof;

FIG. 3 is a front elevational view thereof;

FIG. 4 is a rear elevational view thereof;

FIG. 5 is a top plan view thereof;

FIG. 6 is a bottom plan view thereof;

FIG. 7 is a right side elevational view thereof;

FIG. 8 is a left side elevational view thereof;

FIG. 9 is a cross-sectional view taken along line 9-9 of FIG. 5;

FIG. 10 is a cross-sectional view taken along line 10-10 of FIG. 5; and,

FIG. 11 is a cross-sectional view taken along line 11-11 of FIG. 5.

The broken lines illustrate portions of the light emitting diode which form no part of the claimed design. The oblique line shading represents transparency.

1 Claim, 11 Drawing Sheets

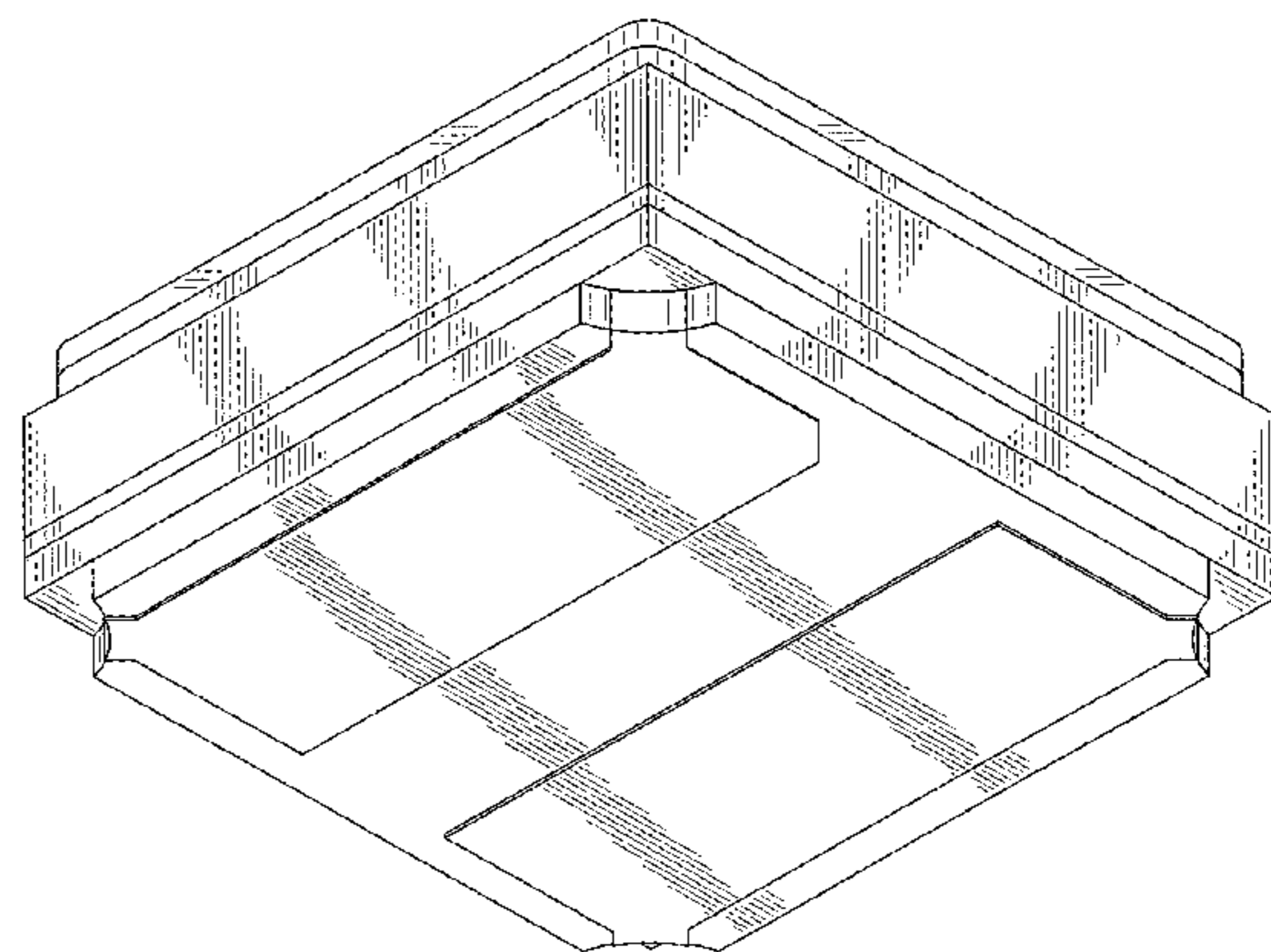
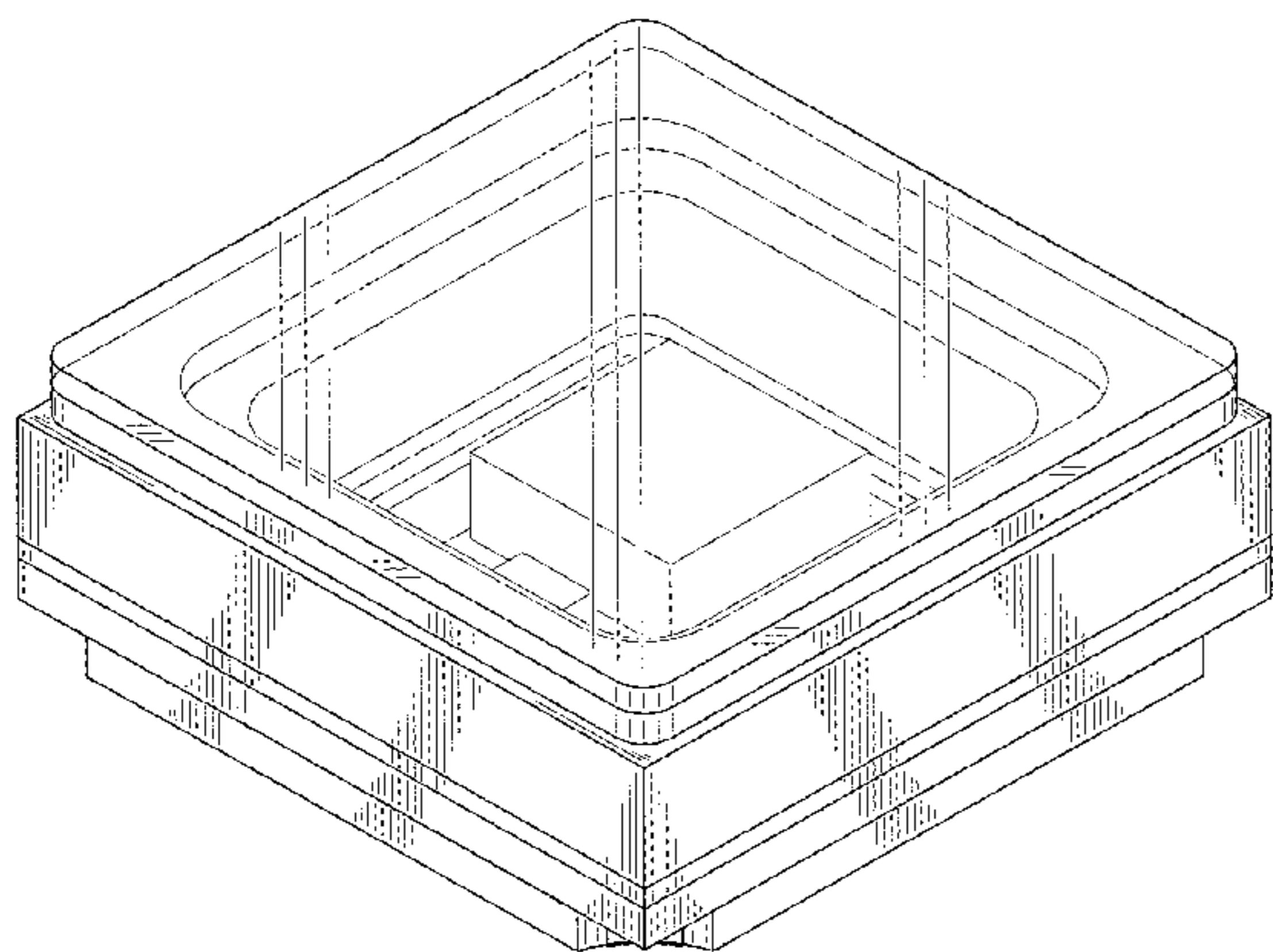


FIG. 1

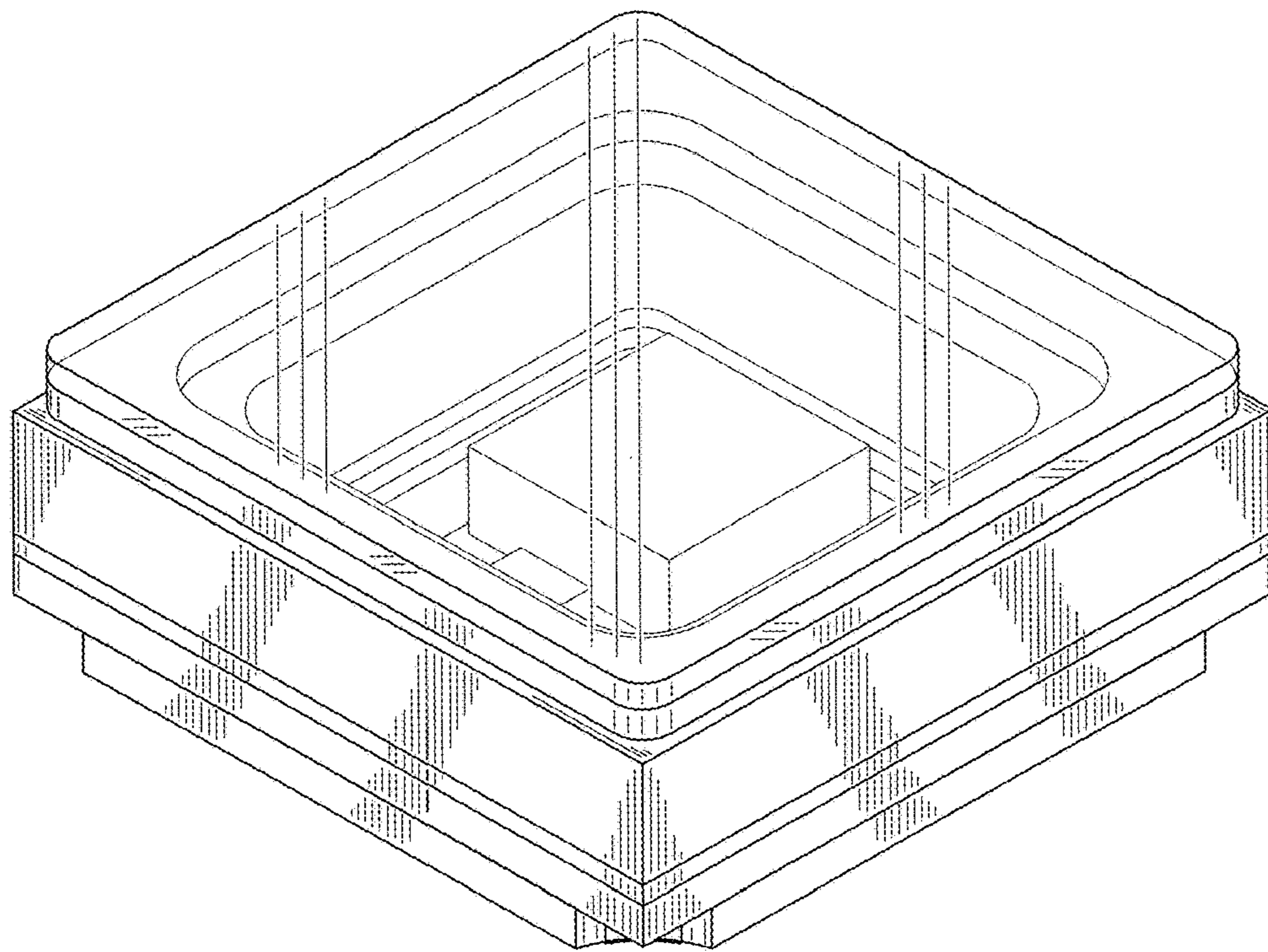


FIG. 2

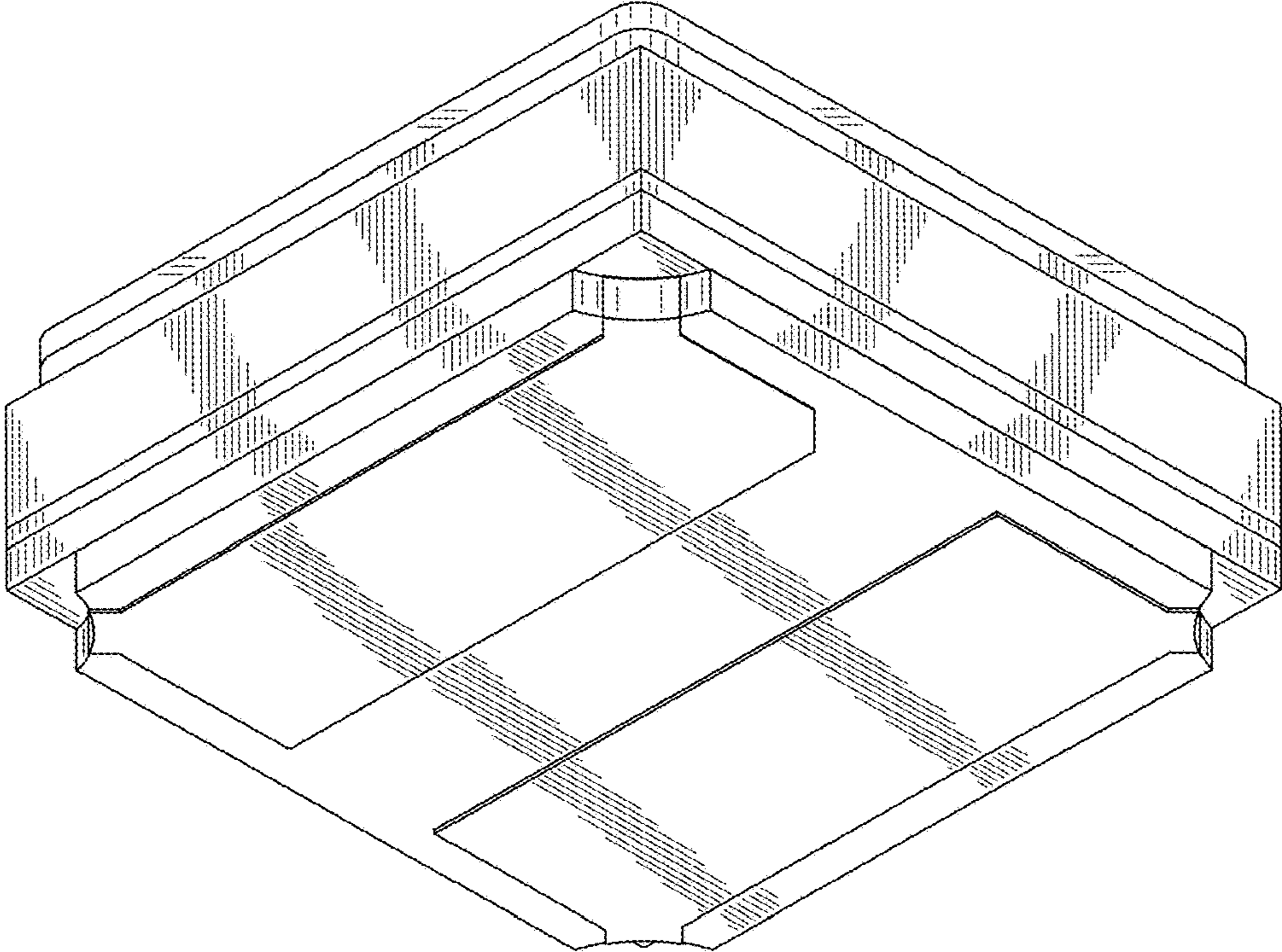


FIG. 3

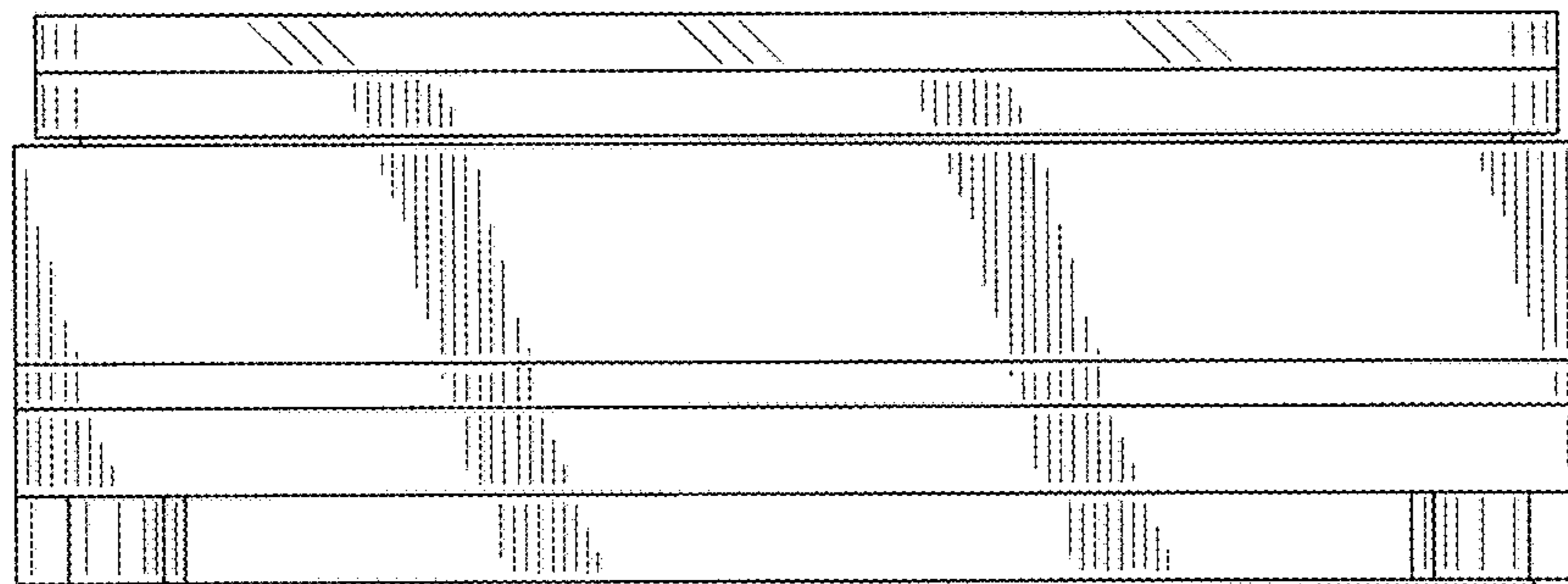


FIG. 4

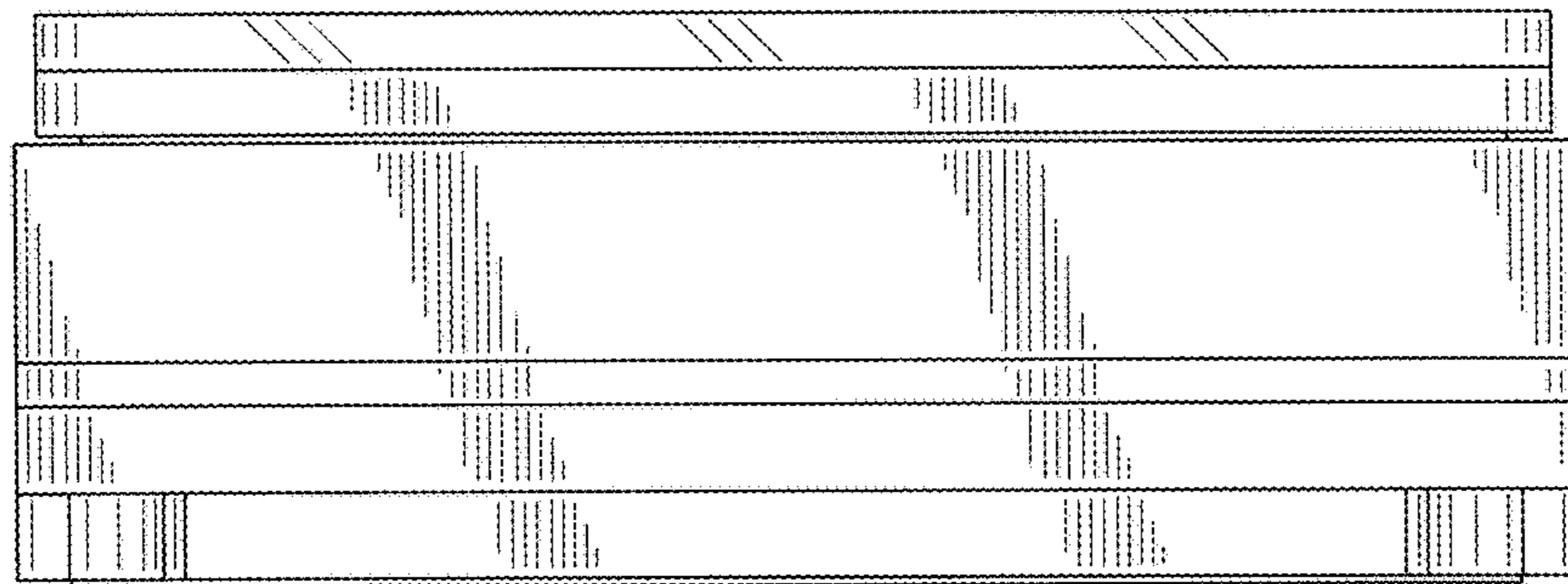


FIG. 5

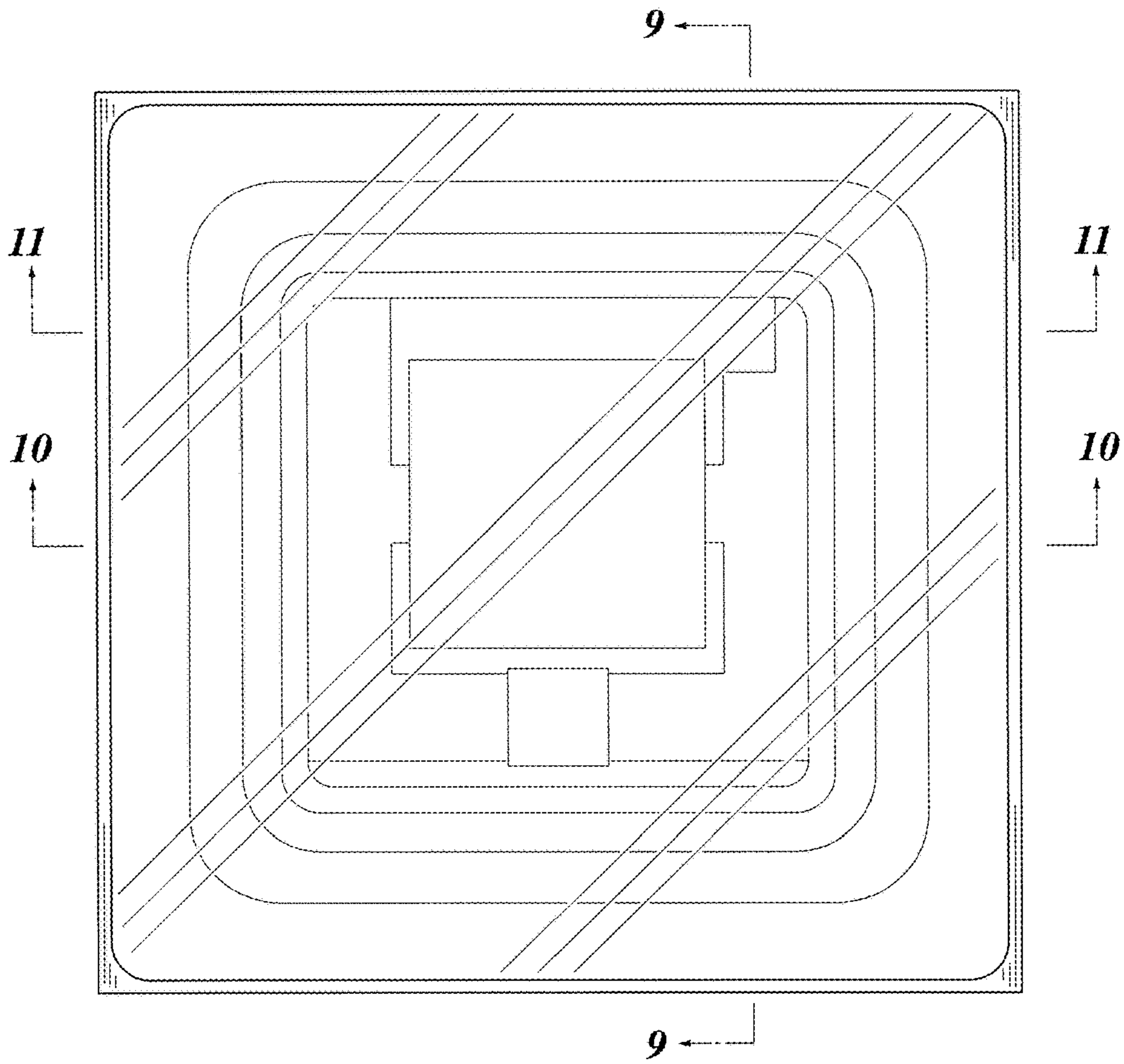


FIG. 6

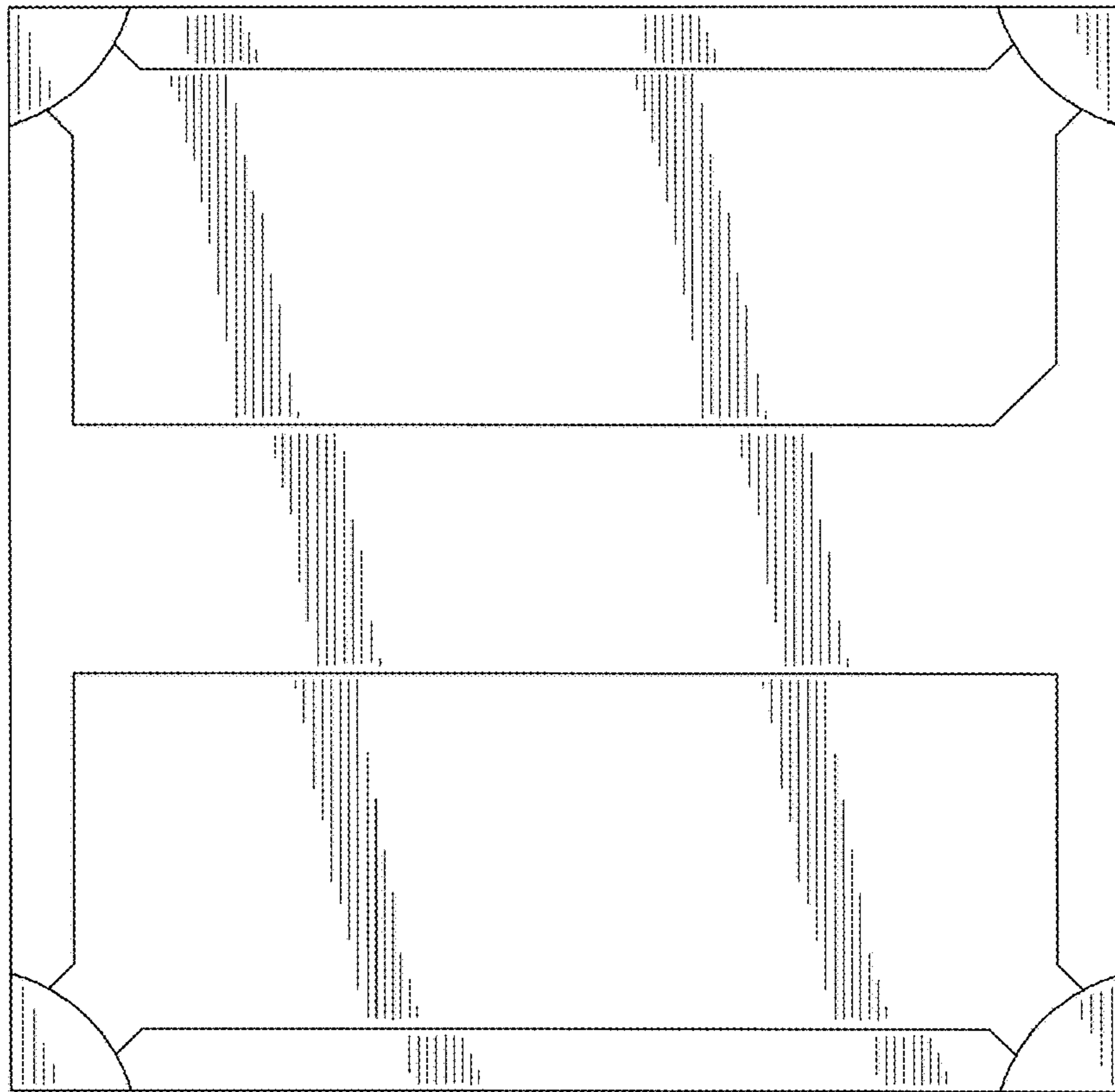


FIG. 7

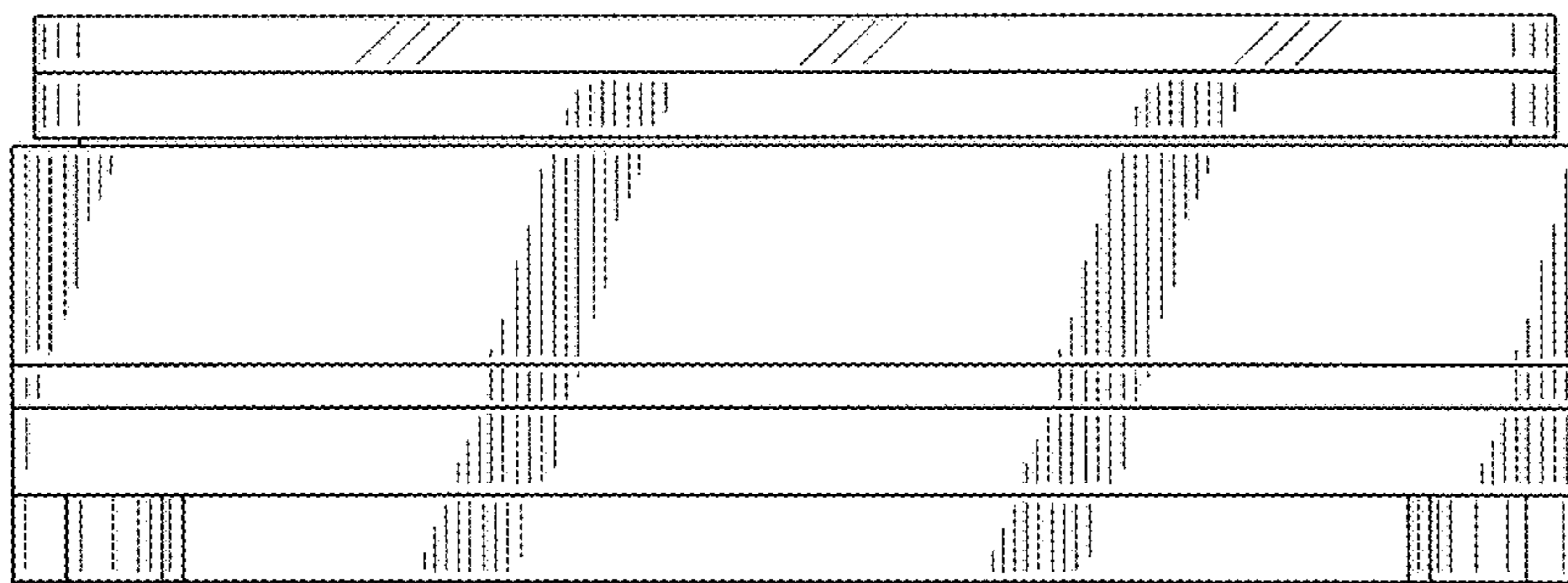


FIG. 8

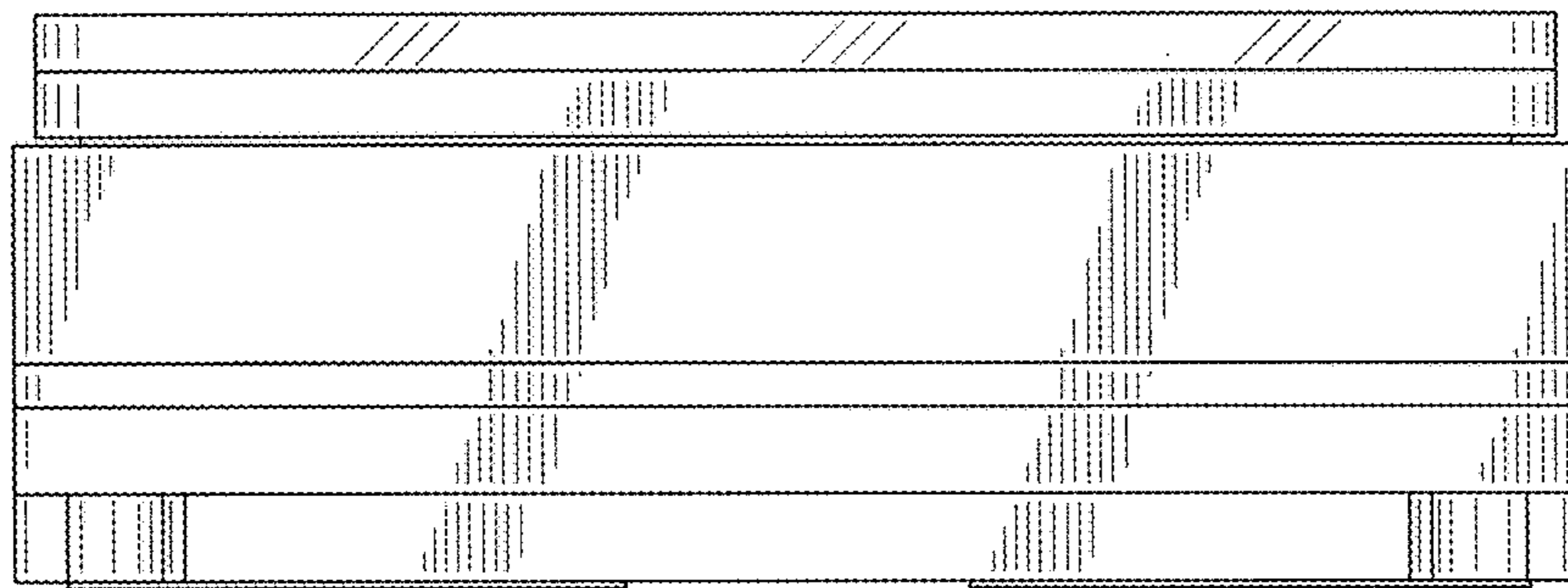


FIG. 9

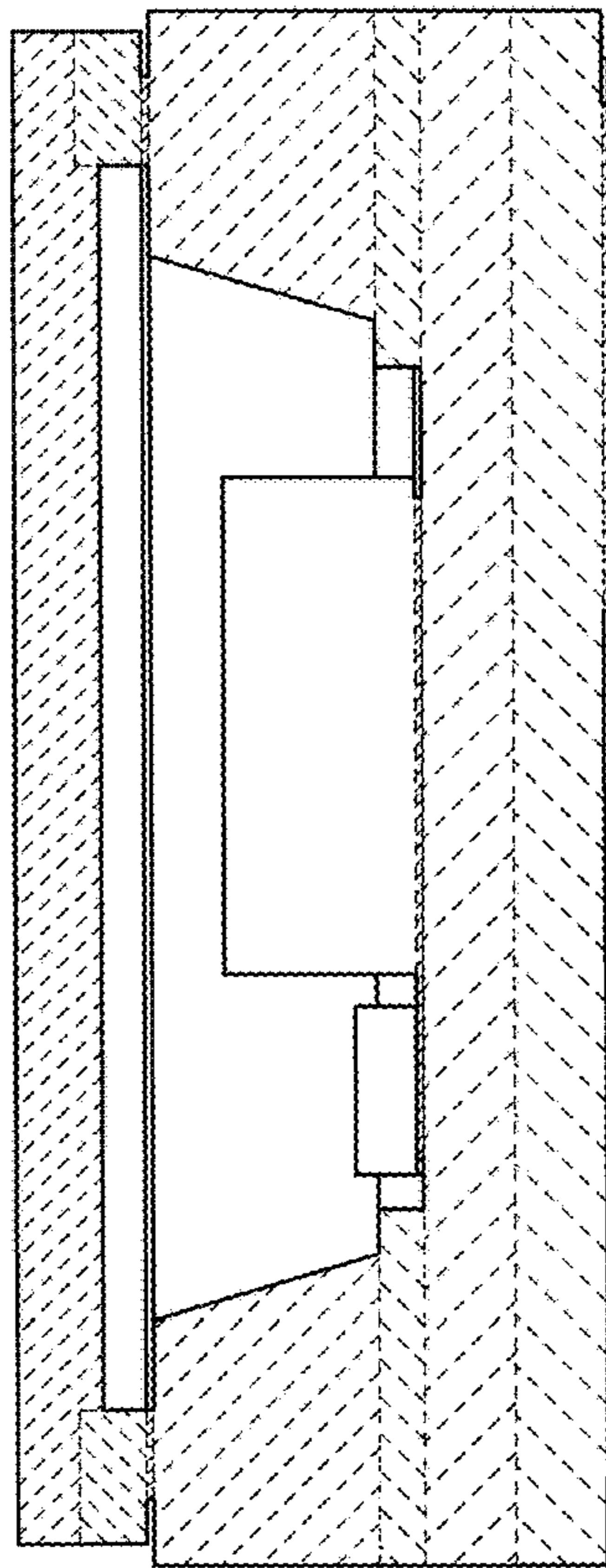


FIG. 10

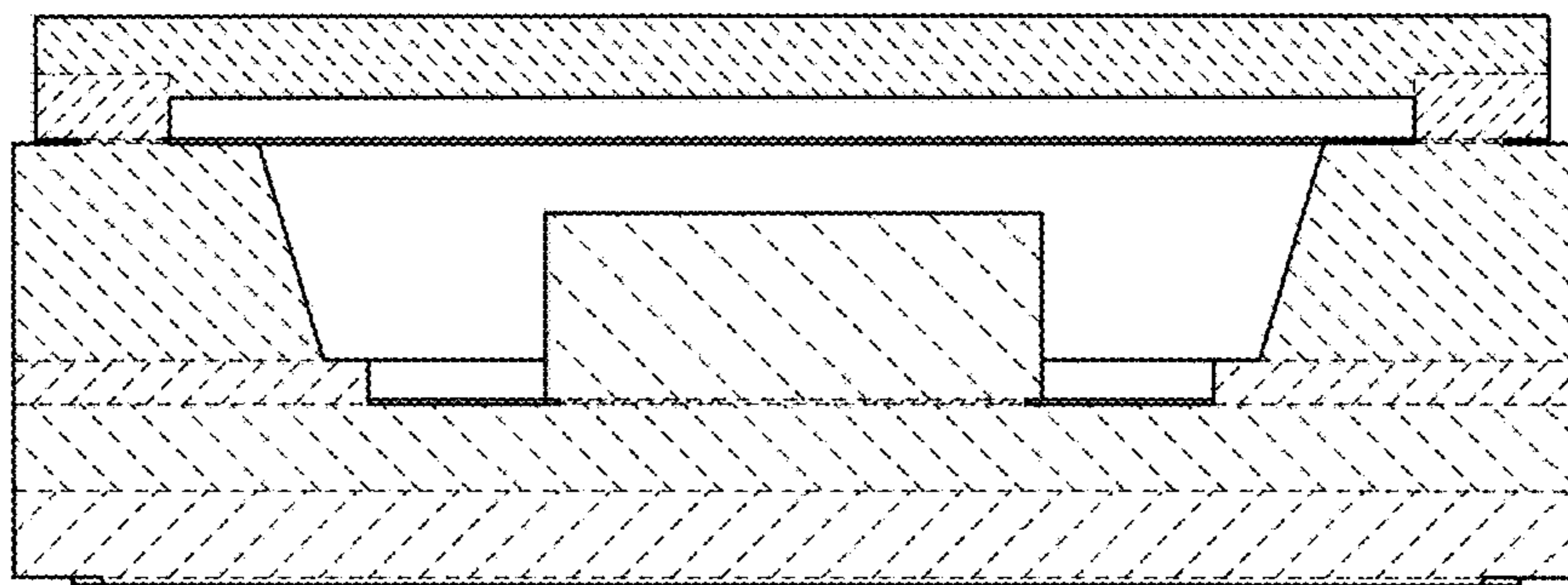


FIG. 11

