



US00D866006S

(12) **United States Design Patent** (10) **Patent No.:** **US D866,006 S**  
**Nelson** (45) **Date of Patent:** **\*\* Nov. 5, 2019**

(54) **MODULAR FLOORING TILE**

(71) Applicant: **Randy Nelson**, Indio, CA (US)

(72) Inventor: **Randy Nelson**, Indio, CA (US)

(73) Assignee: **One Mission, LLC**, Indio, CA (US)

(\*\*) Term: **15 Years**

(21) Appl. No.: **29/579,724**

(22) Filed: **Oct. 3, 2016**

(51) **LOC (12) Cl.** ..... **25-01**

(52) **U.S. Cl.**  
USPC ..... **D25/138**

(58) **Field of Classification Search**  
USPC ..... D25/138-163, 113, 117; 52/177, 181  
(Continued)

(56) **References Cited**

U.S. PATENT DOCUMENTS

D274,948 S \* 7/1984 Swanson ..... D25/156  
6,562,414 B2 \* 5/2003 Carling ..... B05D 7/02  
427/299

(Continued)

OTHER PUBLICATIONS

RaceDeck vs. Swisstrax, Which is the Best Interlocking Floor Tile—All Garage Floors (on-line), dated Nov. 2, 2016. Retrieved from Internet Jul. 16, 2018, URL: <https://allgaragefloors.com/racedeck-vs-swisstrax/> (3 pages).\*

(Continued)

*Primary Examiner* — Kevin K Rudzinski

*Assistant Examiner* — Kimberly Barnes

(74) *Attorney, Agent, or Firm* — Dickinson Wright PLLC

(57) **CLAIM**

I claim the ornamental design for a modular flooring tile, as shown and as described.

**DESCRIPTION**

FIG. 1 is an enlarged partial perspective view of the modular flooring tile showing my new design.

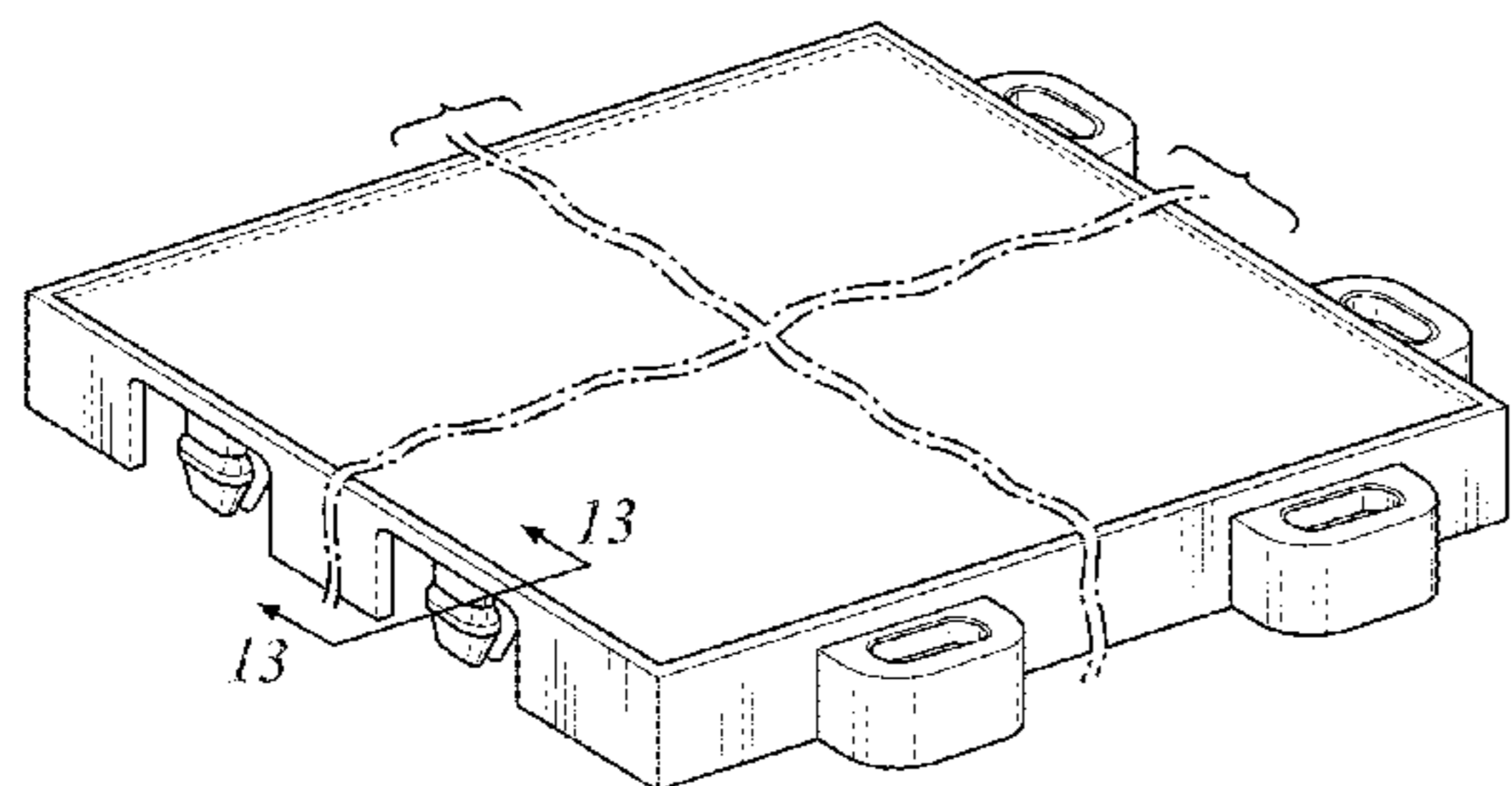


FIG. 2 is an enlarged partial front view of the modular flooring tile.

FIG. 3 is an enlarged partial back view of the modular flooring tile.

FIG. 4 is an enlarged partial left side view of the modular flooring tile.

FIG. 5 is an enlarged partial right side view of the modular flooring tile.

FIG. 6 is an enlarged partial top view of the modular flooring tile.

FIG. 7 is an enlarged partial bottom view of the modular flooring tile.

FIG. 8 is a perspective view of the modular flooring tile illustrating a flooring insert positioned above the modular flooring tile for inserting into the modular flooring tile.

FIG. 9 is a perspective view of the modular flooring tile illustrating a flooring insert positioned into the modular flooring tile.

FIG. 10 is an enlarged detail of a perspective view of the modular flooring tile, illustrating the modular flooring tile positioned below another modular flooring tile, wherein the modular flooring tile has connector holes for receiving clips of the other modular flooring tile for connecting the modular flooring tile to the other modular flooring tile.

FIG. 11 is an enlarged detail of a perspective view of the modular flooring tile, illustrating the modular flooring tile being attached to another modular flooring tile.

FIG. 12 is a perspective view of the modular flooring tile, illustrating the modular flooring tile being attached to two other modular flooring tiles; and,

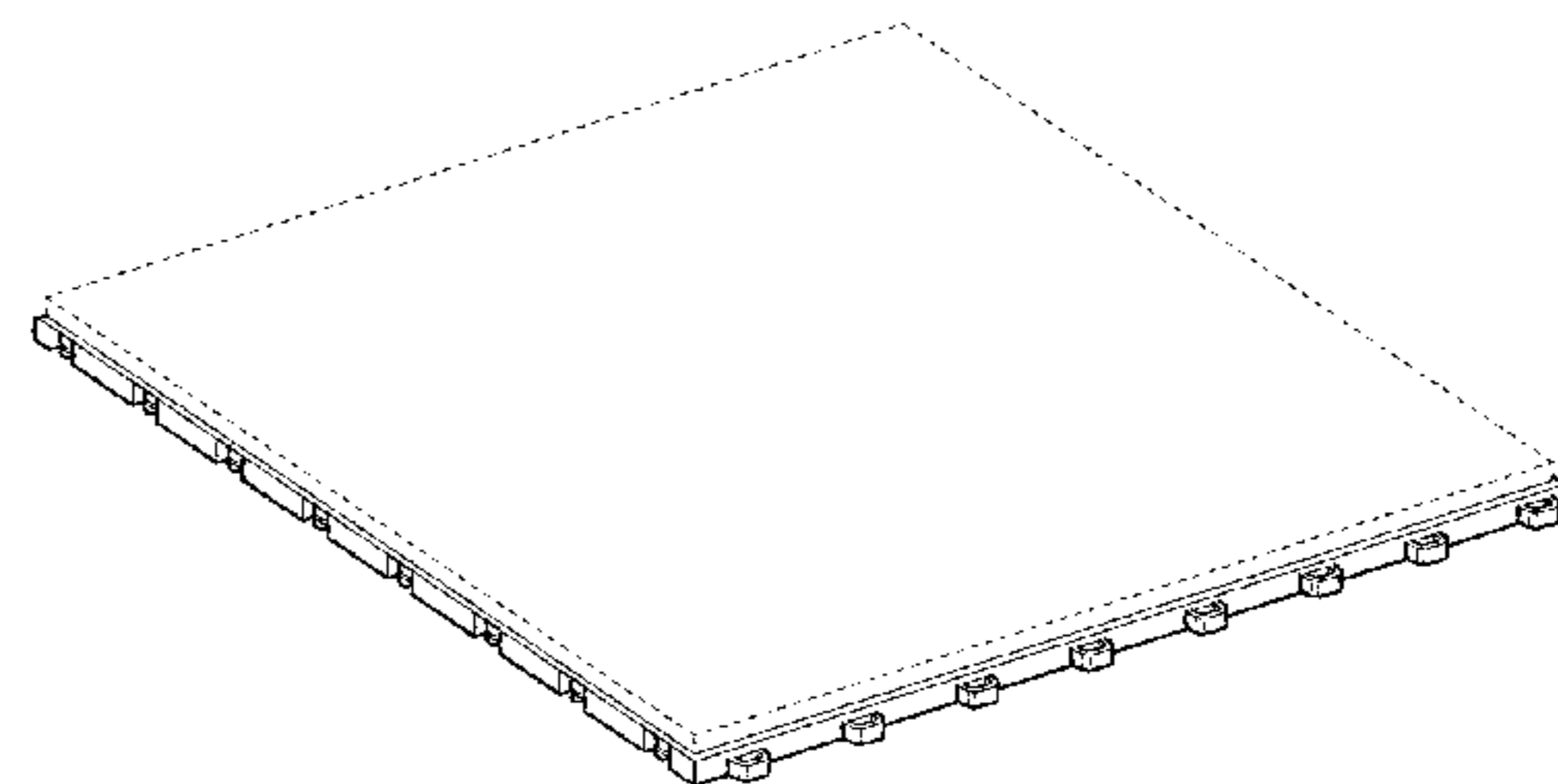
FIG. 13 is a cross sectional view of the clip of the modular flooring tile taken from 13-13 of FIG. 1.

The modular flooring tile is shown with breaks in its length and width separated by brackets in FIGS. 1-7 for ease and clarity of illustration. The full length and width of the modular flooring tile are shown in FIGS. 8, 9 and 12.

The evenly broken lines in FIGS. 1, 6, 7, 8, 10, and 11 along the perimeter of the interior space of the tile depicts portions of the modular flooring tile that form no part of the claimed design.

The evenly broken lines in FIGS. 8, 9, and 12 depicting a flooring insert represents environmental subject matter that forms no part of the claimed design.

(Continued)



The broken lines in FIGS. 10-12 depicting additional modular flooring tiles represent environmental subject matter that forms no part of the claimed design.

**1 Claim, 5 Drawing Sheets**

(58) **Field of Classification Search**

CPC . E04F 15/22; E04F 15/02; E04F 15/16; E04F 11/16; E04B 2/00; E04B 5/43

See application file for complete search history.

(56)

**References Cited**

U.S. PATENT DOCUMENTS

6,802,159	B1 *	10/2004	Kotler .....	E01C 5/20 404/35
D532,530	S *	11/2006	Shuman .....	D25/163
D595,870	S *	7/2009	Moller, Jr. ....	D25/163
D595,871	S *	7/2009	Moller, Jr. ....	D25/163
7,587,865	B2 *	9/2009	Moller, Jr. ....	E01C 5/20 52/177
7,634,876	B2 *	12/2009	Moller, Jr. ....	E04F 15/02 404/35
D618,368	S *	6/2010	Jenkins .....	D25/156
7,748,177	B2 *	7/2010	Jenkins .....	E01C 5/20 15/215
8,099,915	B2 *	1/2012	Moller, Jr. ....	E01C 5/20 52/181

8,341,896	B2 *	1/2013	Moller, Jr. ....	E01C 5/20 52/181
8,397,466	B2 *	3/2013	Jenkins .....	E01C 13/045 52/177
8,407,951	B2 *	4/2013	Haney .....	E01C 5/20 52/177
D700,367	S *	2/2014	Shen .....	D25/138
D700,368	S *	2/2014	Shen .....	D25/138
9,133,628	B2 *	9/2015	Moller, Jr. ....	E04F 15/225
9,863,155	B2 *	1/2018	Cerny .....	E04F 15/225
2015/0252563	A1 *	9/2015	Cerny .....	E04B 5/43 52/588.1
2018/0195294	A1 *	7/2018	Moller, Jr. ....	E04F 15/02038

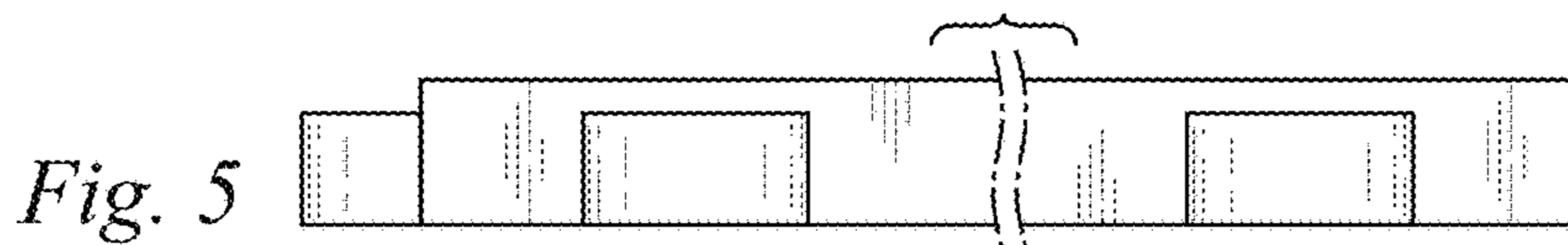
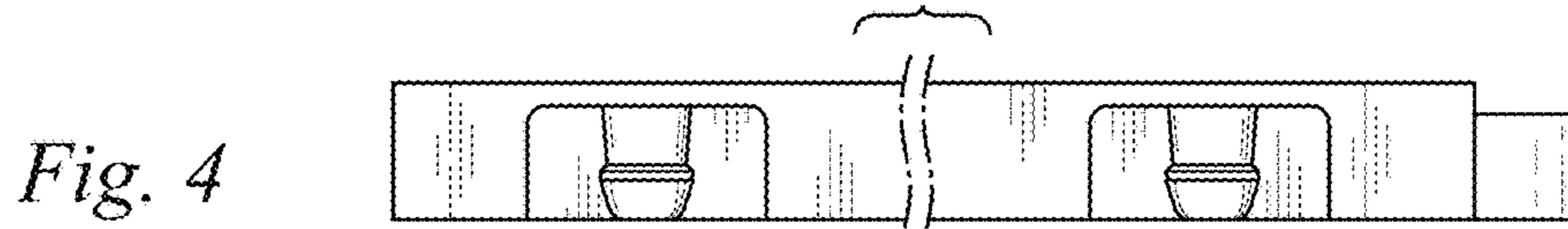
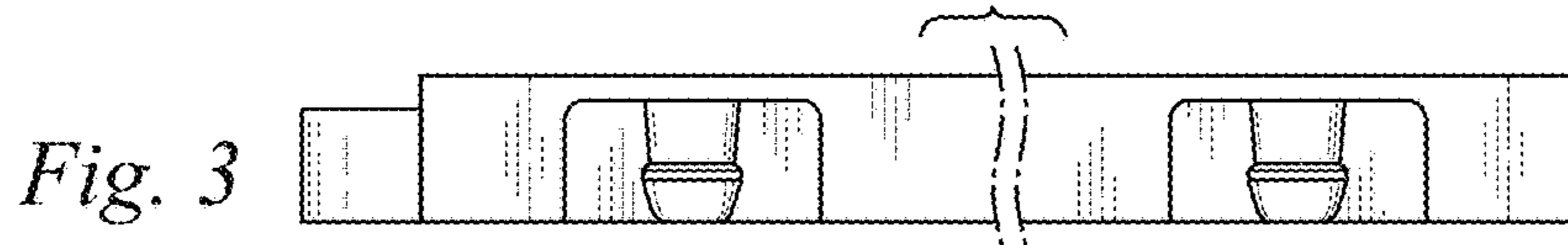
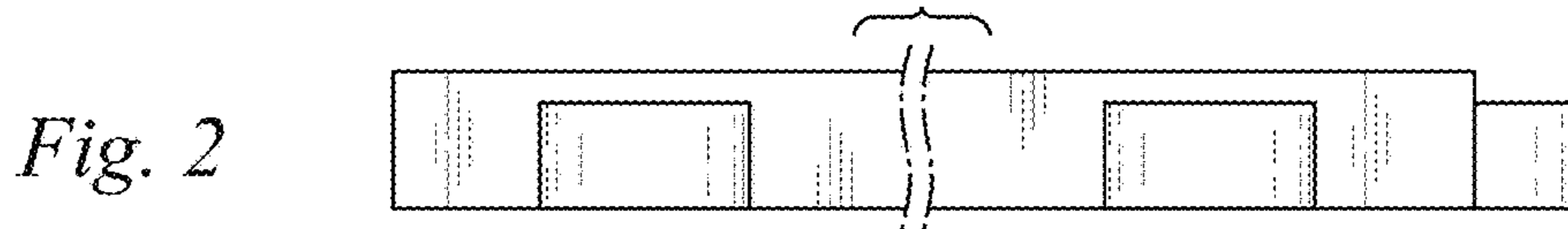
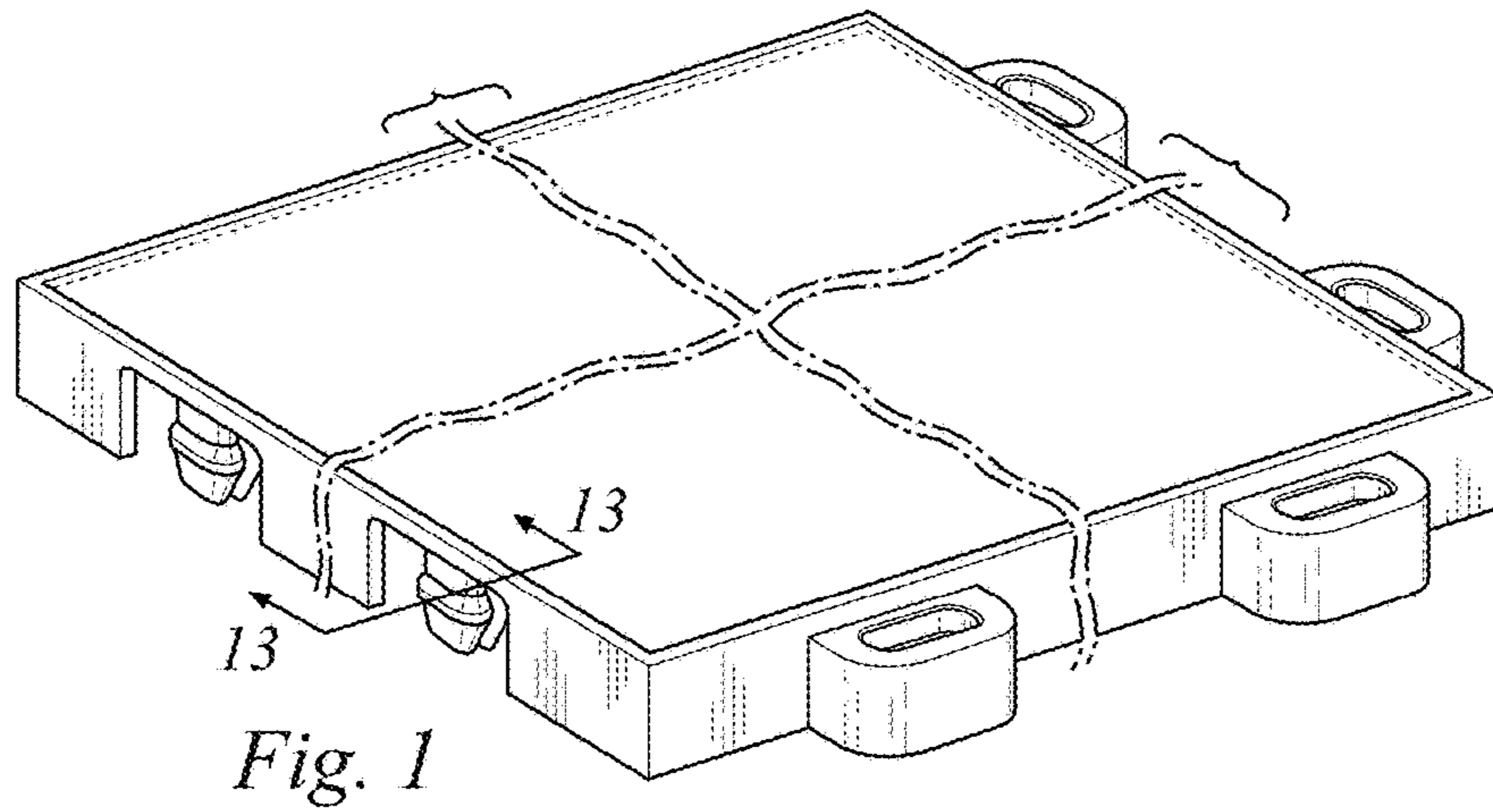
OTHER PUBLICATIONS

Modular Interlocking Carpet Tiles—Premium Gray (on-line), dated Jan. 2, 2013. Retrieved from Internet Jul. 17, 2018, URL: <https://web.archive.org/web/20130102131615/http://www.modular-interlocking-carpet-tiles-premium-gray.html> (2 pages).\*

Modular Interlocking Carpet Tiles for Basement (on-line), dated Oct. 28, 2015. Retrieved from Internet Jul. 17, 2018, URL: <https://j-mstrength.com/interlocking-carpet-tiles-for-basement/modular-interlocking-carpet-tiles/> (3 pages).\*

Interlocking Carpet Tiles—Carpet Flex Floor Tiles—YouTube (on-line), dated Jun. 23, 2016. Retrieved from Internet Jul. 17, 2018, URL: <https://www.youtube.com/watch?v=jm2tVoK3pwE> (1 page).\*

\* cited by examiner





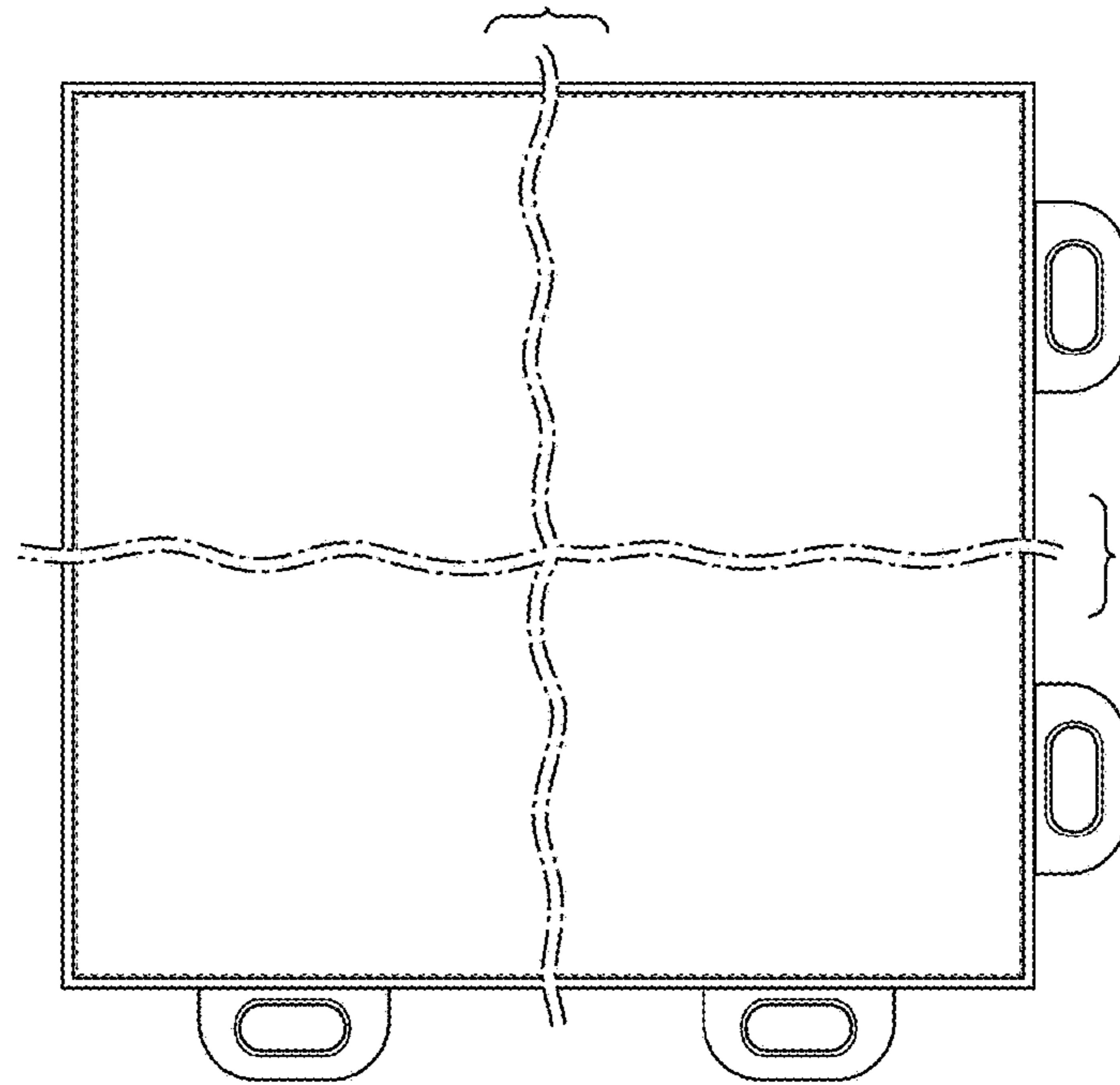


Fig. 6

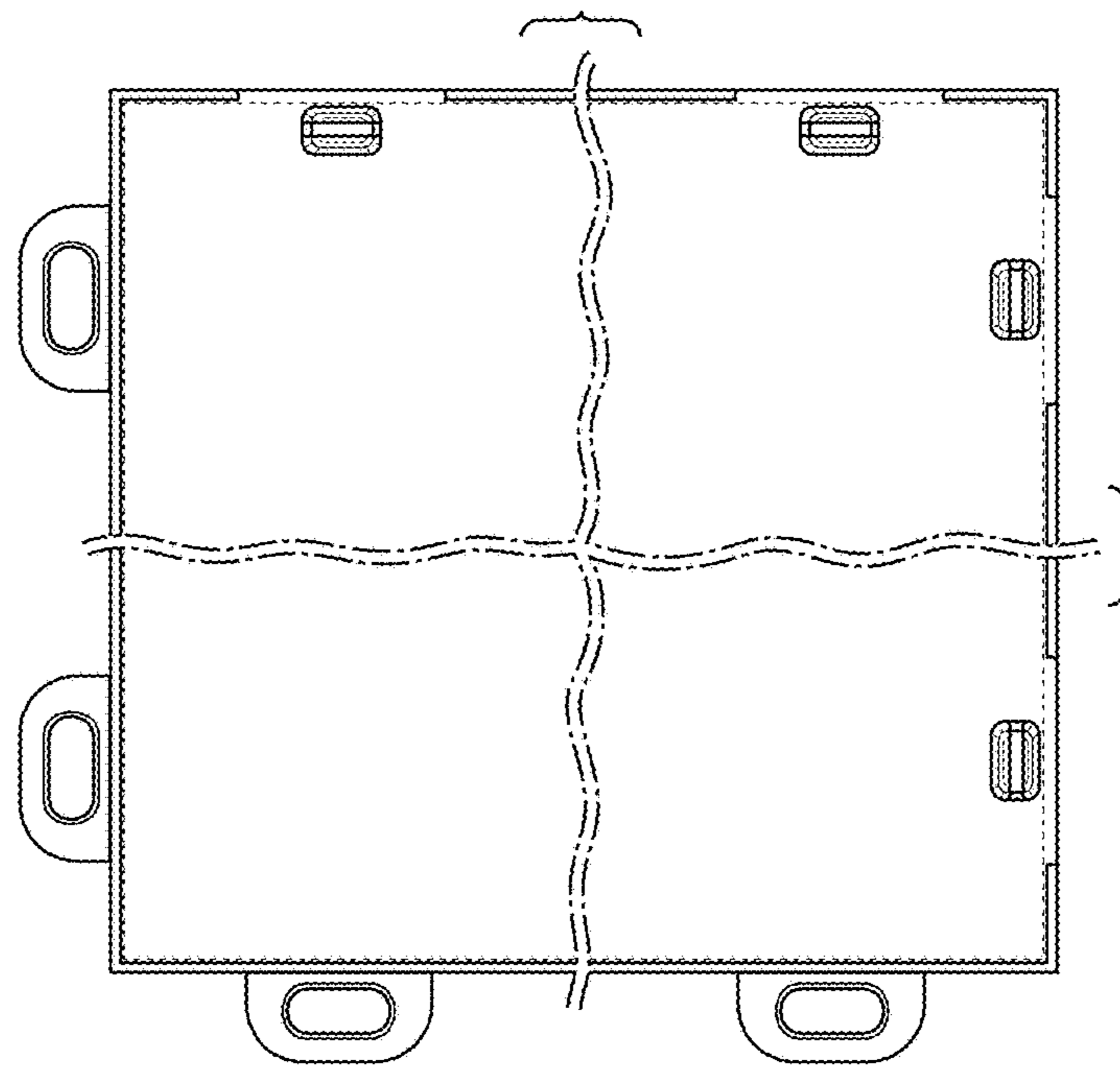
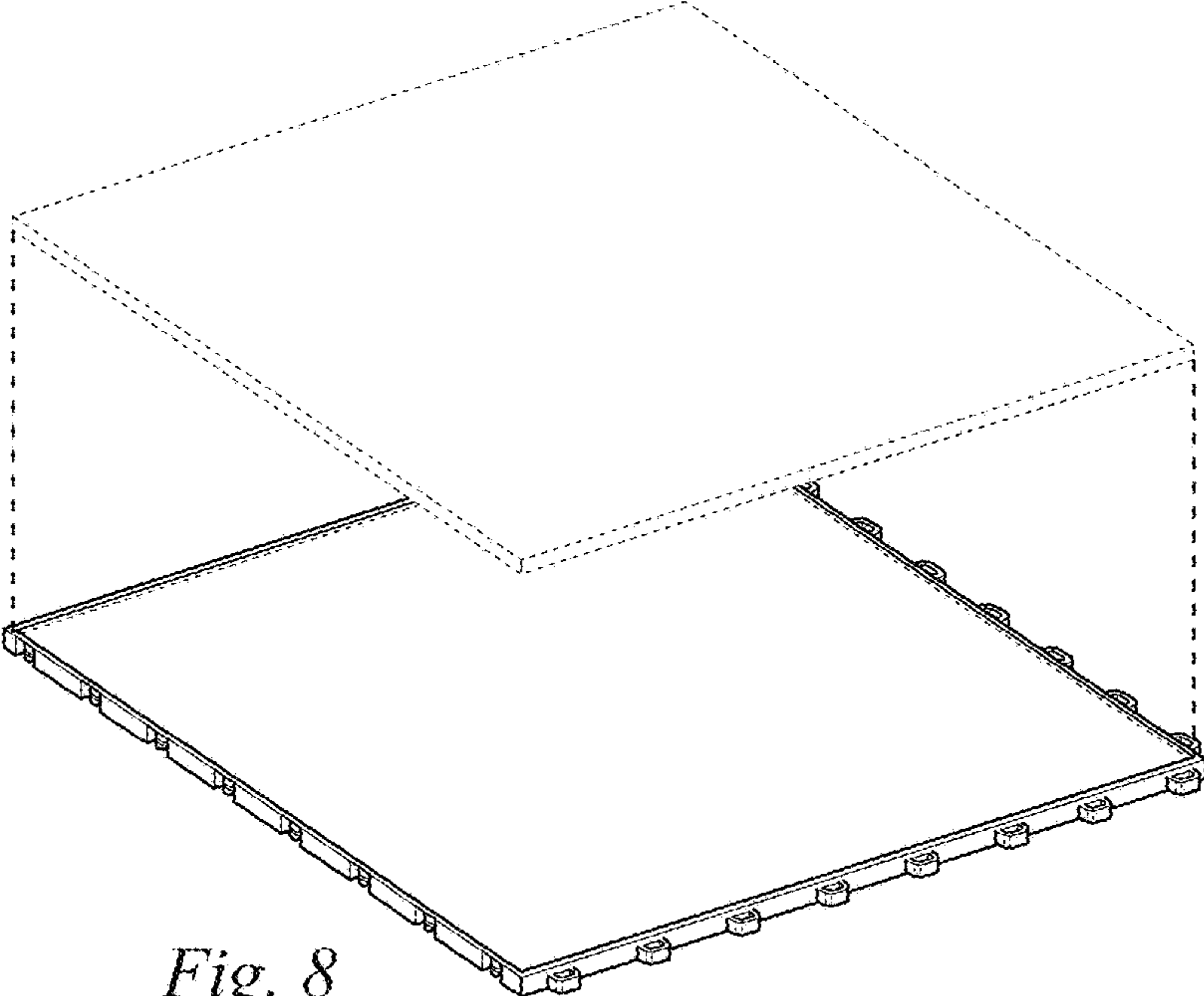
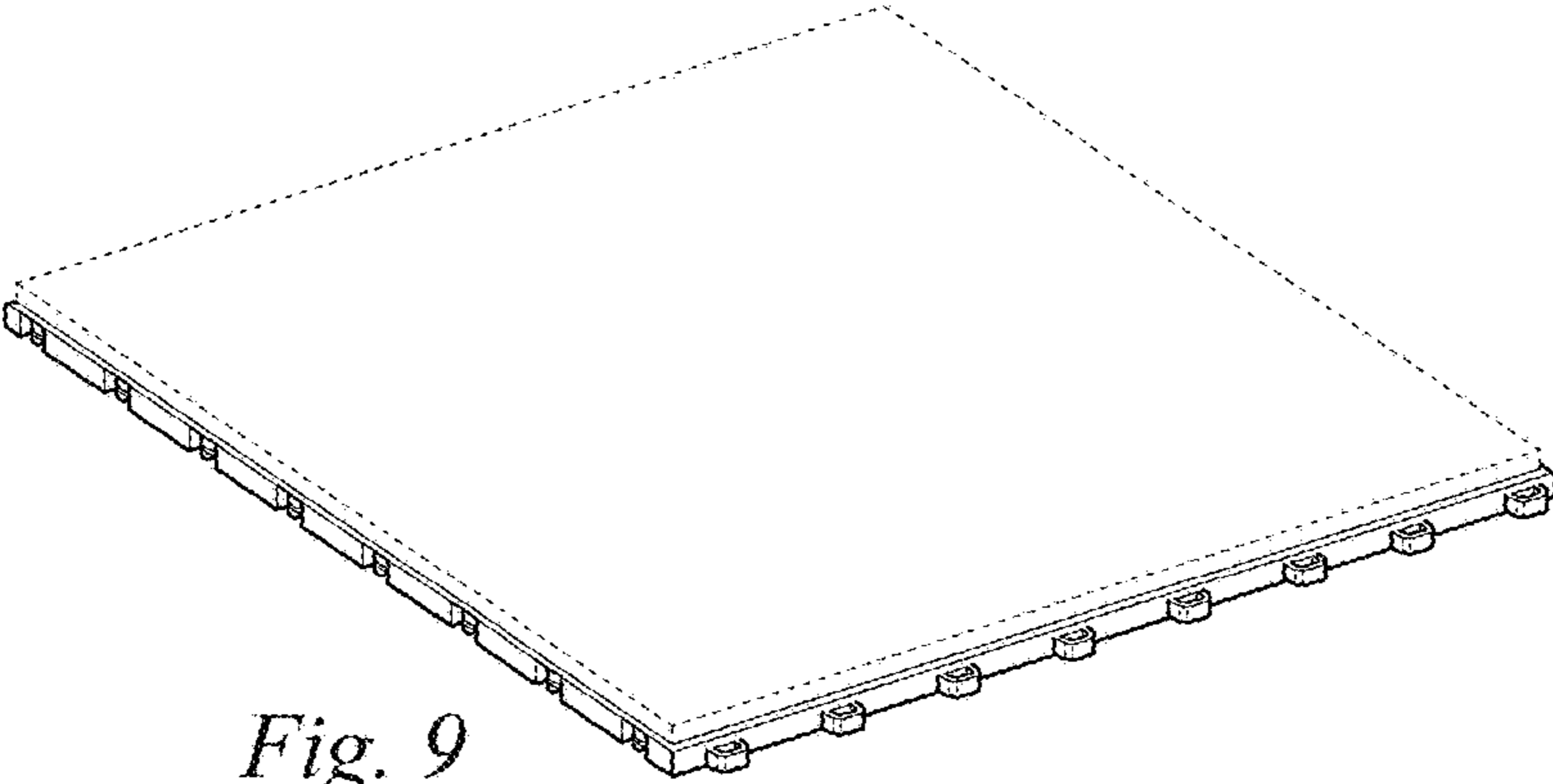


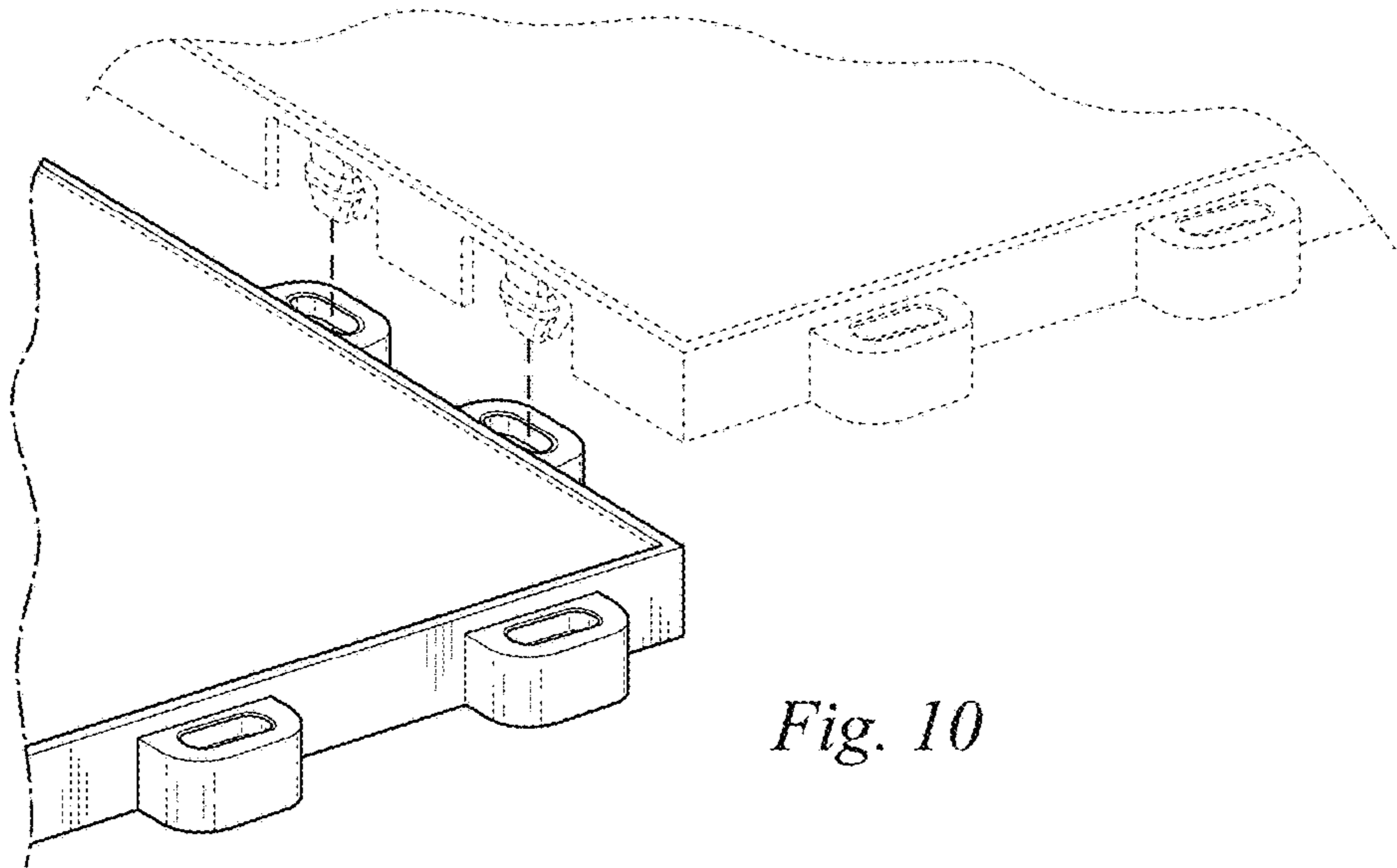
Fig. 7



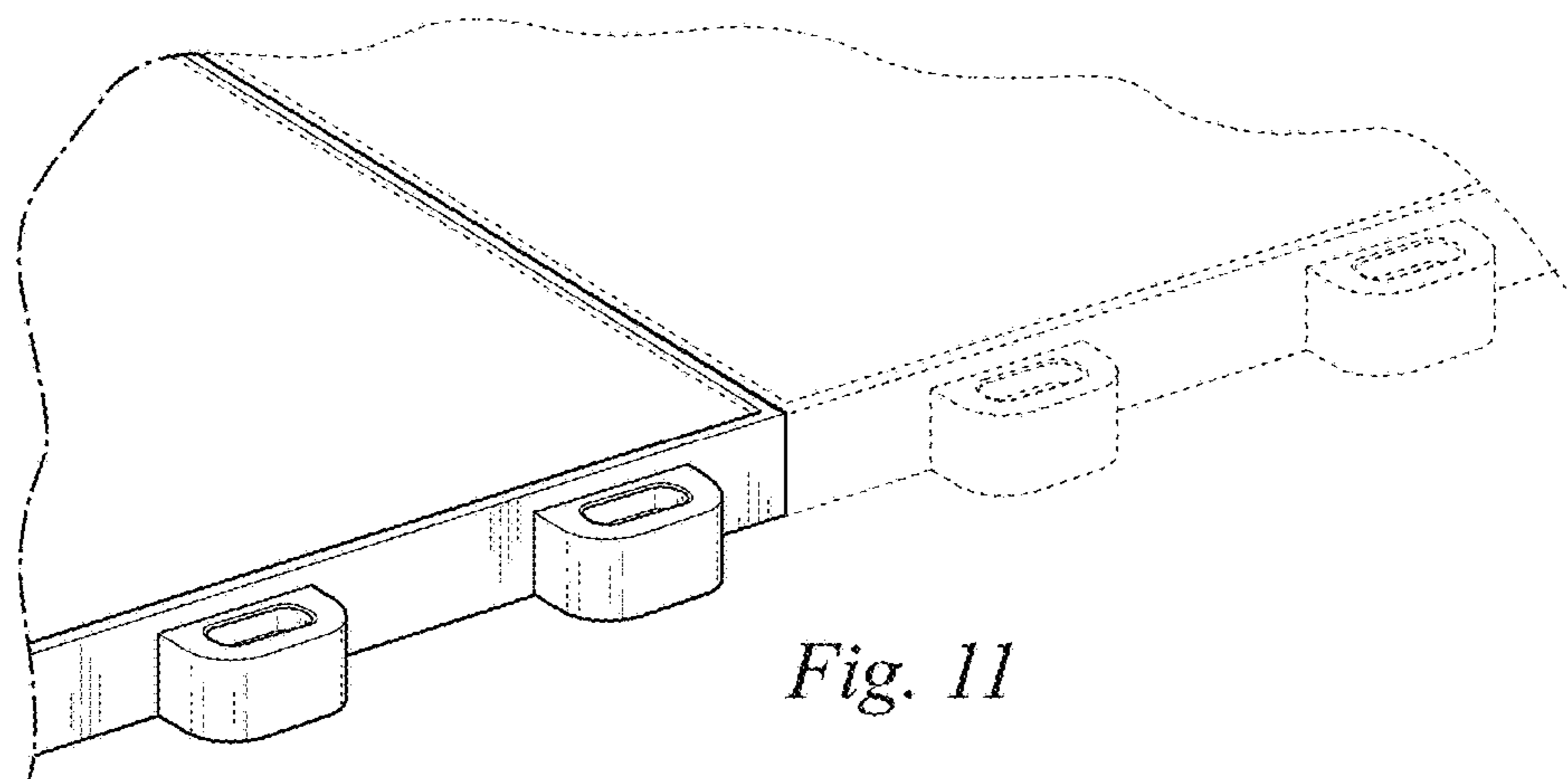
*Fig. 8*



*Fig. 9*



*Fig. 10*



*Fig. 11*



Fig. 12

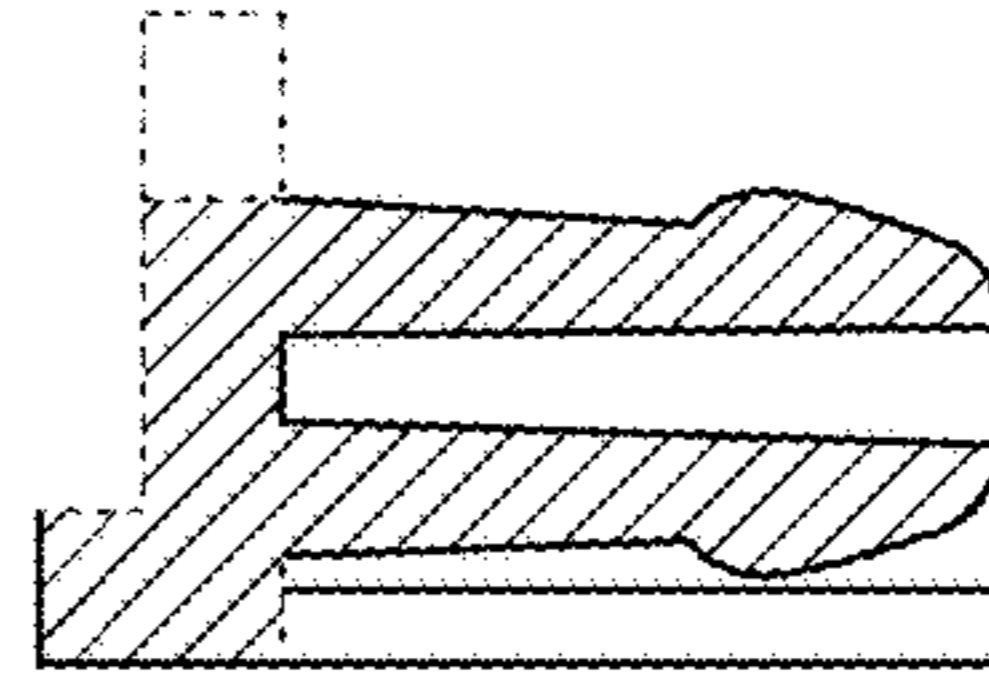


Fig. 13