



US00D866005S

(12) **United States Design Patent** (10) **Patent No.:** **US D866,005 S**  
**Johnson** (45) **Date of Patent:** **\*\* Nov. 5, 2019**

- (54) **RETAINING WALL BLOCK**
- (71) Applicant: **Redi-Rock International, LLC**,  
Charlevoix, MI (US)
- (72) Inventor: **James R. Johnson**, Charlevoix, MI  
(US)
- (73) Assignee: **Redi-Rock International, LLC**,  
Charlevoix, MI (US)
- (\*\*) Term: **15 Years**
- (21) Appl. No.: **29/691,246**
- (22) Filed: **May 15, 2019**

**Related U.S. Application Data**

- (62) Division of application No. 29/639,897, filed on Mar. 9, 2018, now Pat. No. Des. 857,240.
- (51) **LOC (12) Cl.** ..... **25-01**
- (52) **U.S. Cl.**  
USPC ..... **D25/113**
- (58) **Field of Classification Search**  
USPC ..... D21/484-491, 499-502; D25/112-118  
See application file for complete search history.

(56) **References Cited**

**U.S. PATENT DOCUMENTS**

- 4,884,921 A \* 12/1989 Smith ..... E02D 29/0241  
405/286
- 5,741,339 A \* 4/1998 DuMars ..... E02D 29/0266  
47/83
- 7,524,144 B2 \* 4/2009 Gravier ..... E02D 17/205  
405/262
- D611,165 S \* 3/2010 Hammer ..... D25/113
- D611,166 S \* 3/2010 Hammer ..... D25/113
- D611,167 S \* 3/2010 Hammer ..... D25/113
- D650,918 S \* 12/2011 Hammer ..... D25/113
- D662,612 S \* 6/2012 Dyson ..... D25/113
- D672,886 S \* 12/2012 MacDonald ..... D25/113

- D672,887 S \* 12/2012 MacDonald ..... D25/113
- 9,562,338 B2 \* 2/2017 Hammer ..... E02D 29/0233
- 10,053,832 B2 \* 8/2018 O'Neill ..... B28B 7/0029
- 2006/0104725 A1 \* 5/2006 Carey ..... E02D 29/0266  
405/286
- 2014/0373479 A1 \* 12/2014 Karau ..... B28B 7/00  
52/588.1
- 2018/0030728 A1 \* 2/2018 Johnson ..... E04B 2/54
- 2018/0257271 A1 \* 9/2018 Karau ..... B28B 7/007

**OTHER PUBLICATIONS**

Redi-Rock Block Library [https://www.redi-rock.com/documents/Engineering/BlockLibrary/Redi-Rock\\_Block\\_Library\\_050318.pdf#page=17](https://www.redi-rock.com/documents/Engineering/BlockLibrary/Redi-Rock_Block_Library_050318.pdf#page=17) last modified May 9, 2018 (Year: 2018).\*

\* cited by examiner

*Primary Examiner* — Leanne Was-Englehart  
(74) *Attorney, Agent, or Firm* — Marshall & Melhorn, LLC

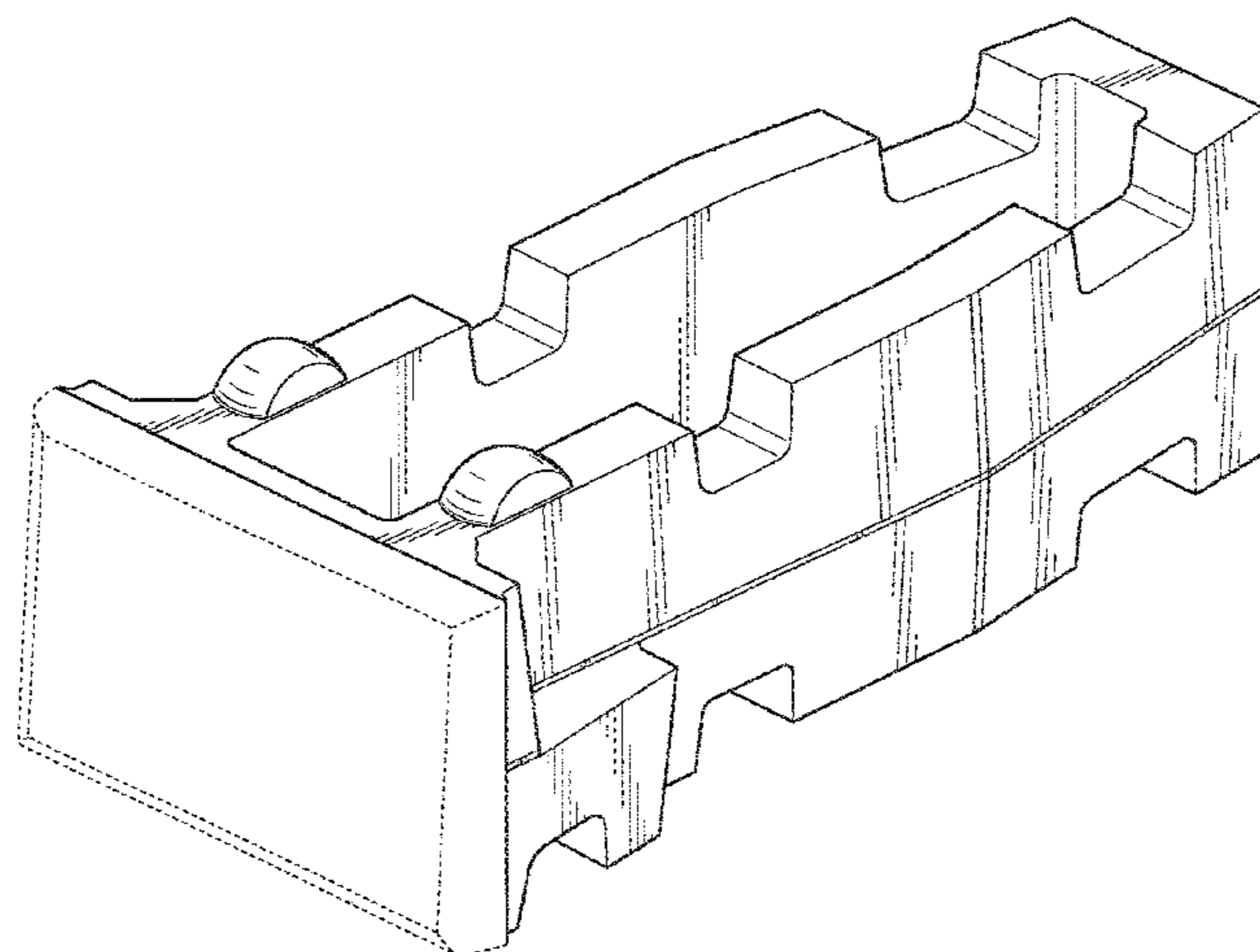
(57) **CLAIM**

I claim the ornamental design for a retaining wall block, as shown and described.

**DESCRIPTION**

FIG. 1 is a perspective view of a retaining wall block; FIG. 2 is a top plan view thereof; FIG. 3 is a bottom plan view thereof; FIG. 4 is a front side elevational view thereof; FIG. 5 is a rear side elevational view thereof; FIG. 6 is a right side elevational view thereof; and, FIG. 7 is a left side elevational view thereof. The broken lines shown in the drawings are included for purposes of illustrating environment and form no part of the claimed design. The surface shading lines show contour and/or distinguish between open and solid areas. The surface shading lines are not surface ornamentation.

**1 Claim, 7 Drawing Sheets**



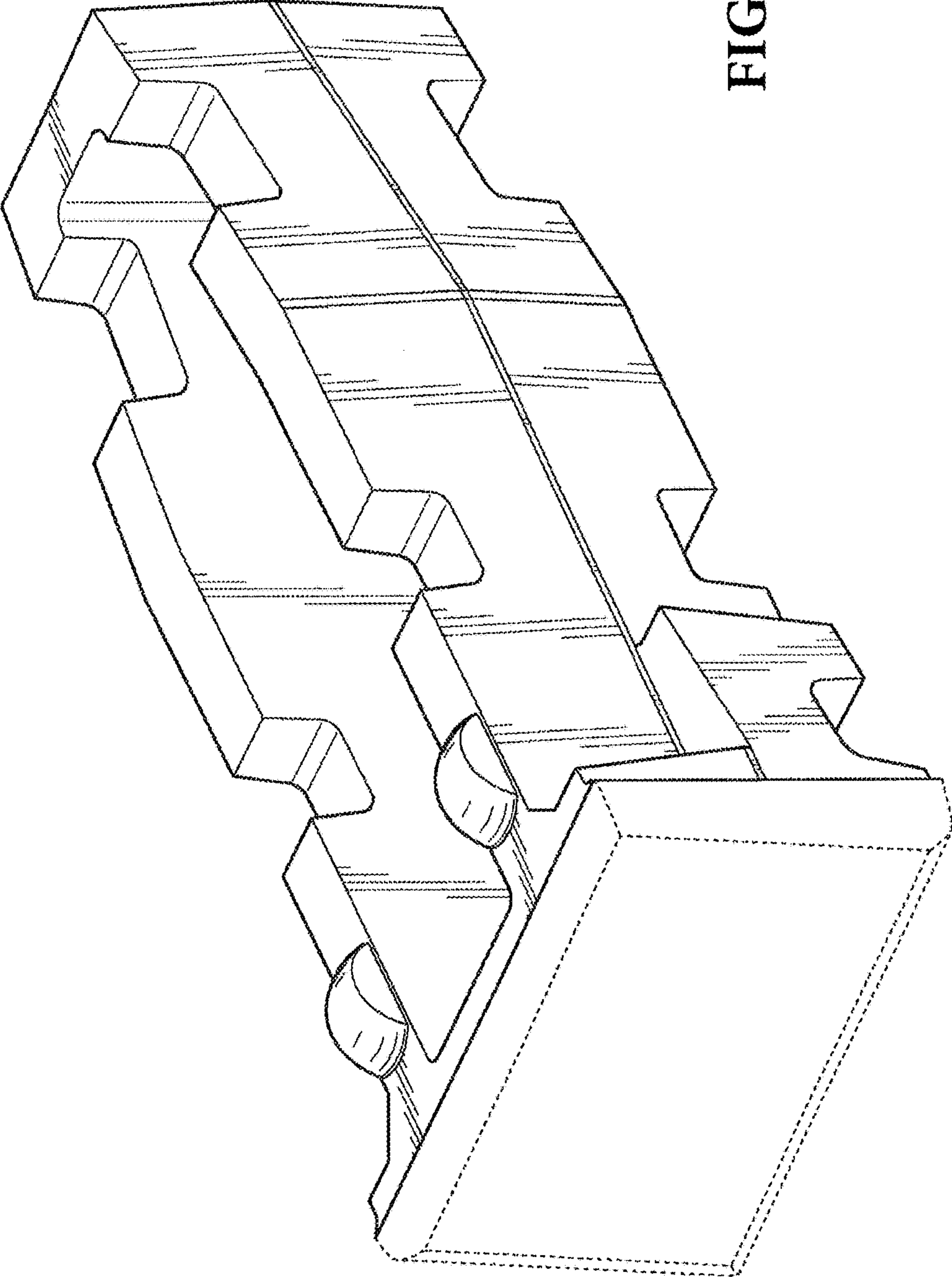


FIG. 1

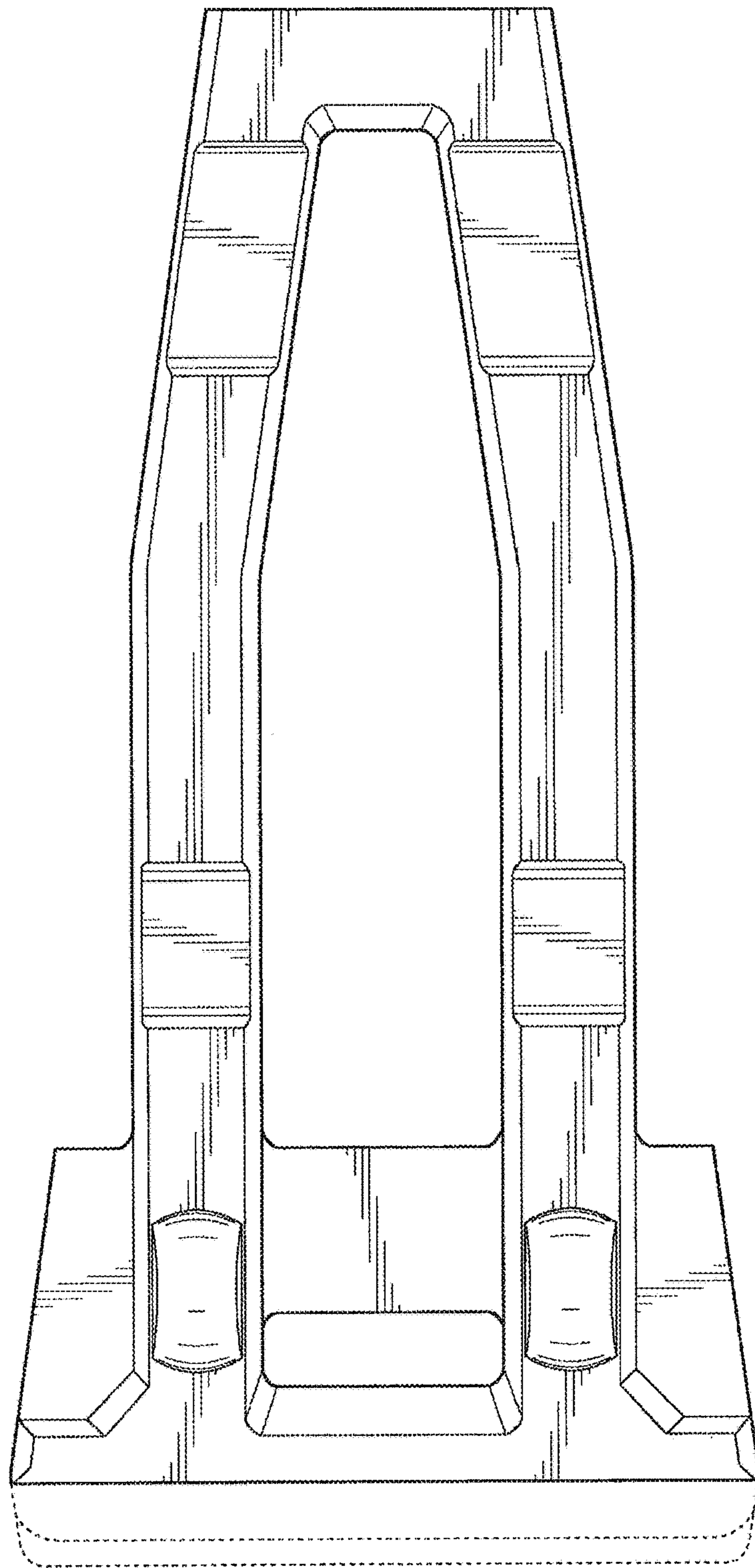


FIG. 2

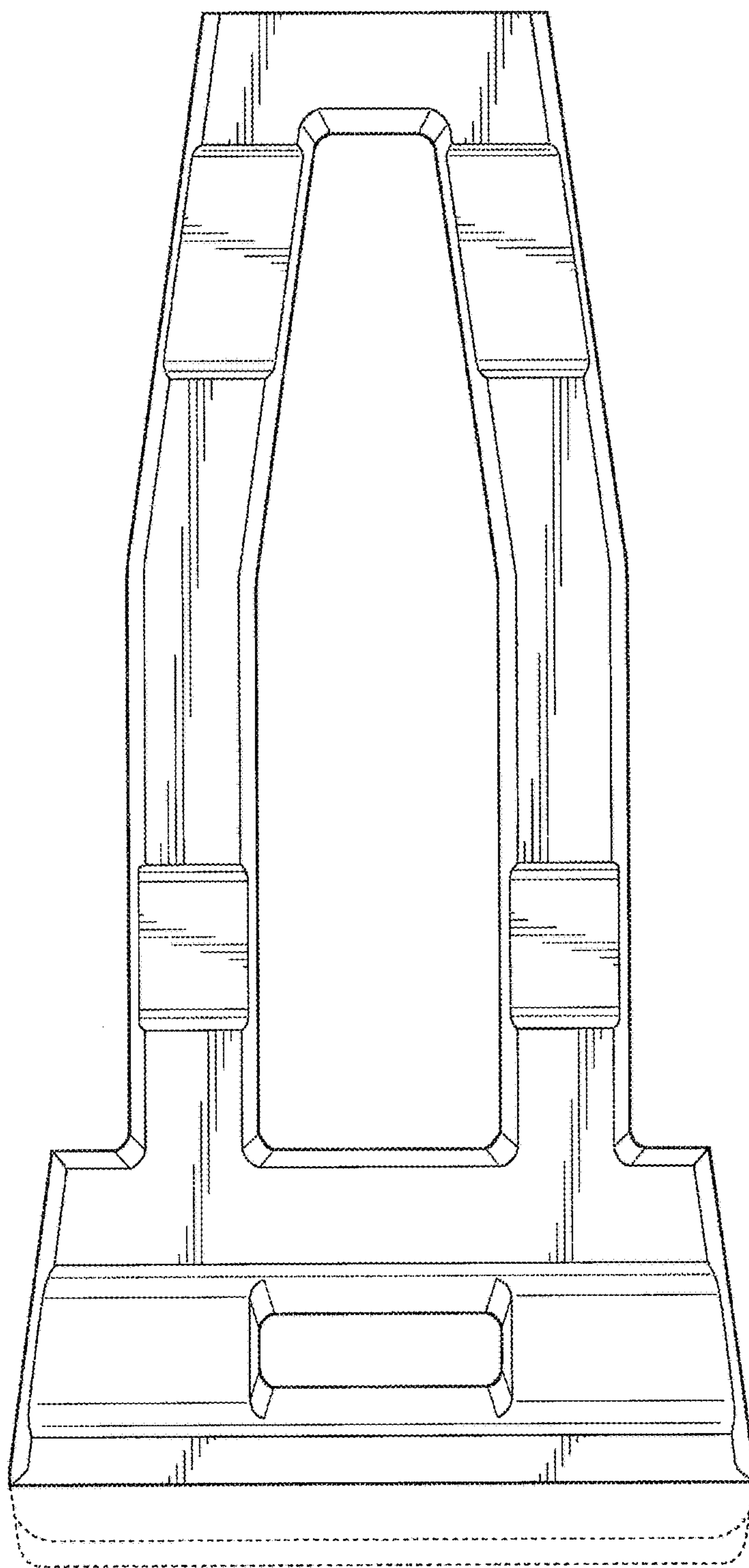


FIG. 3

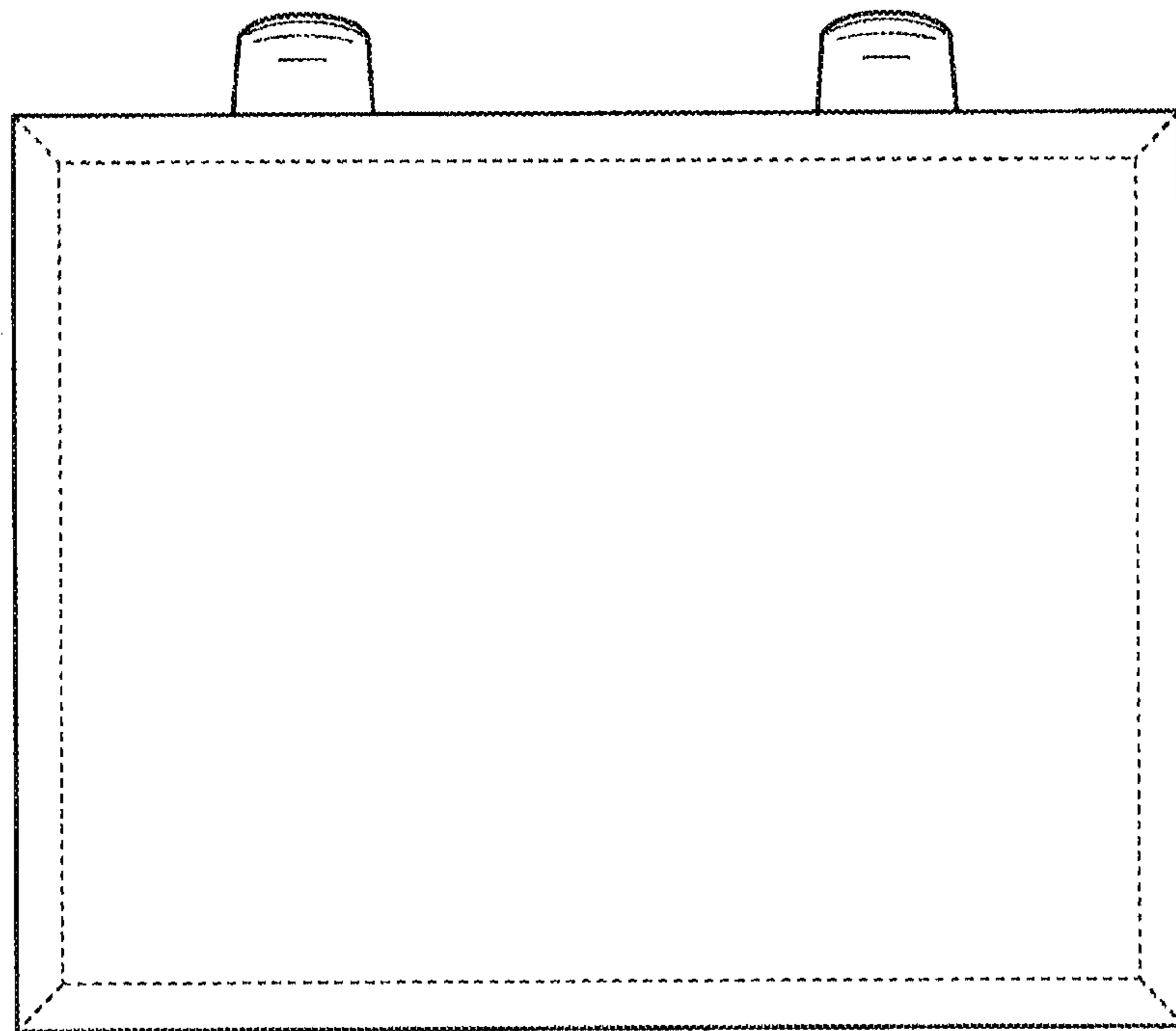


FIG. 4

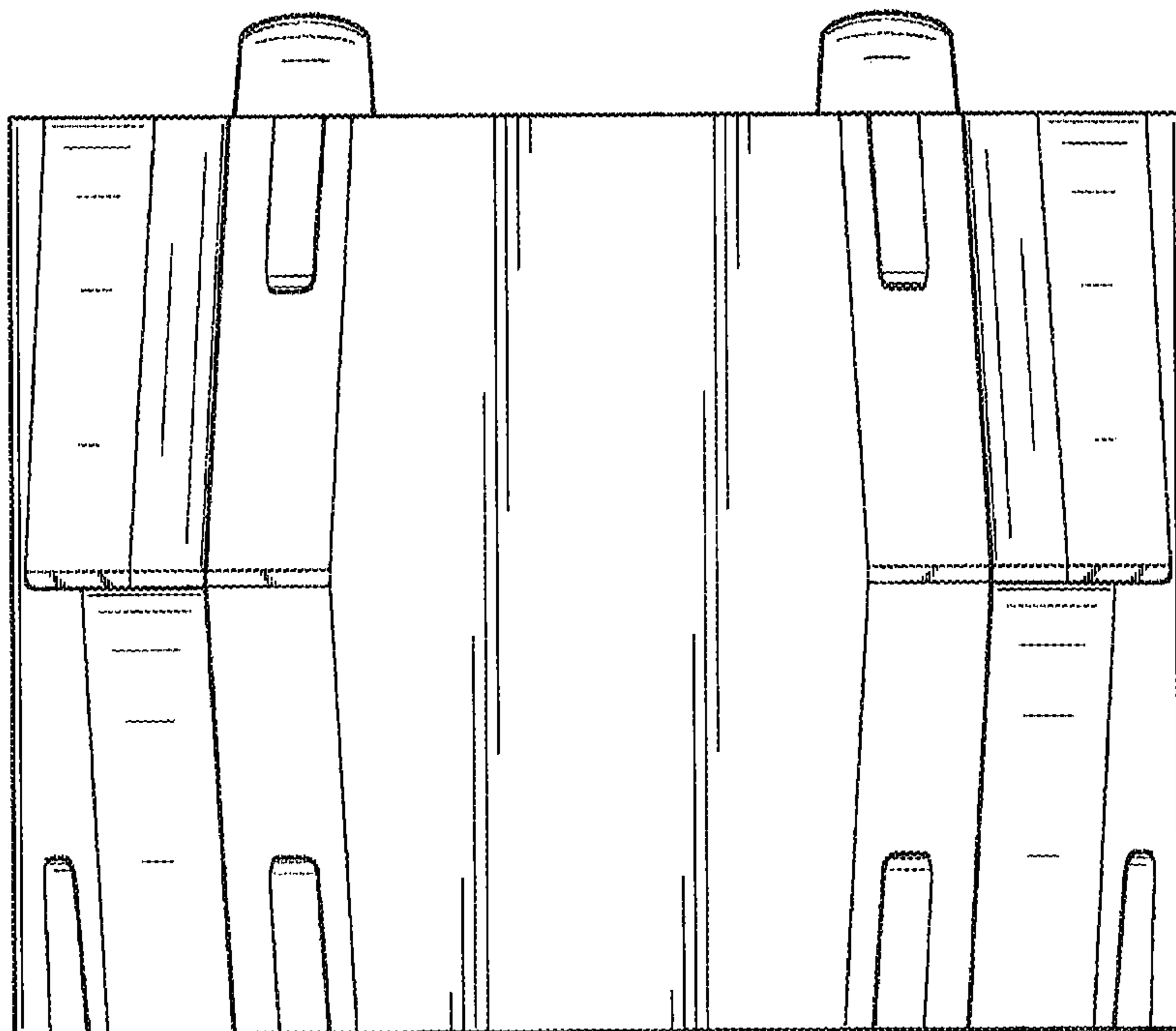


FIG. 5

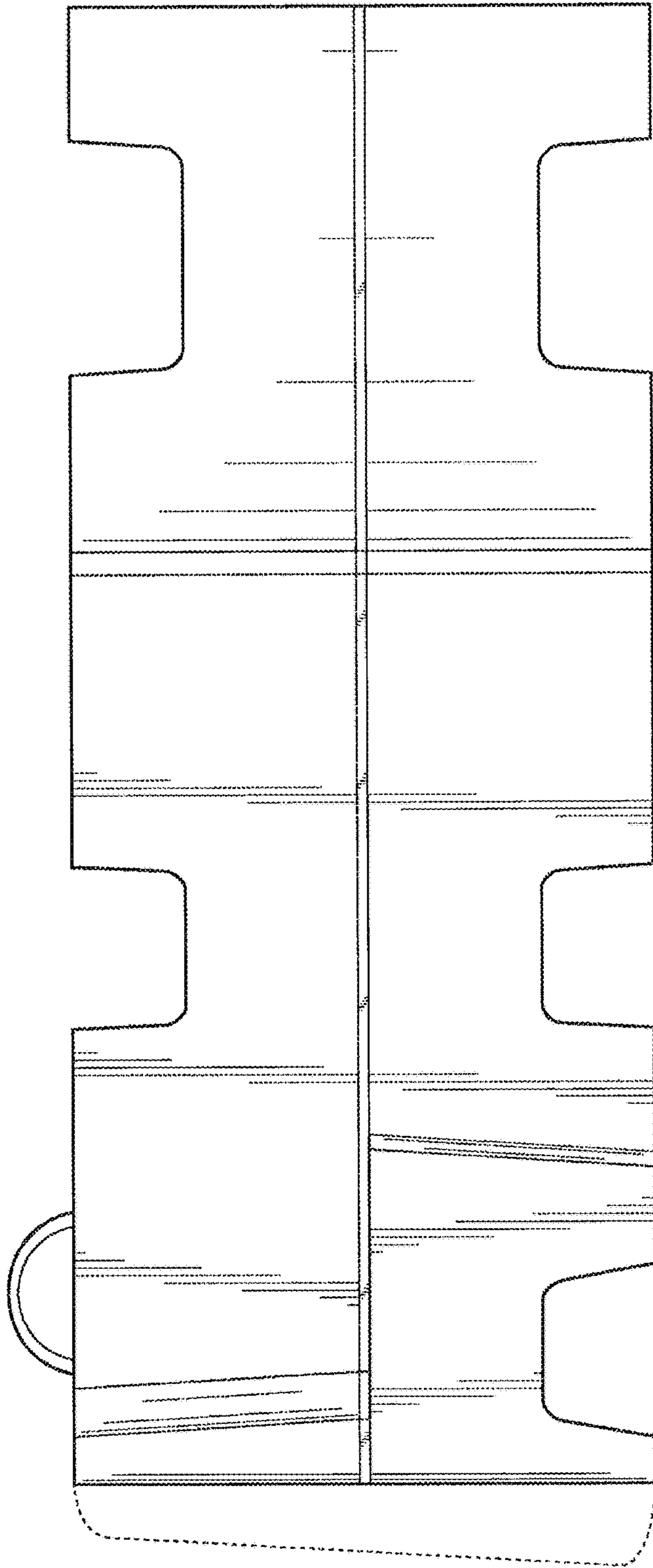


FIG. 6

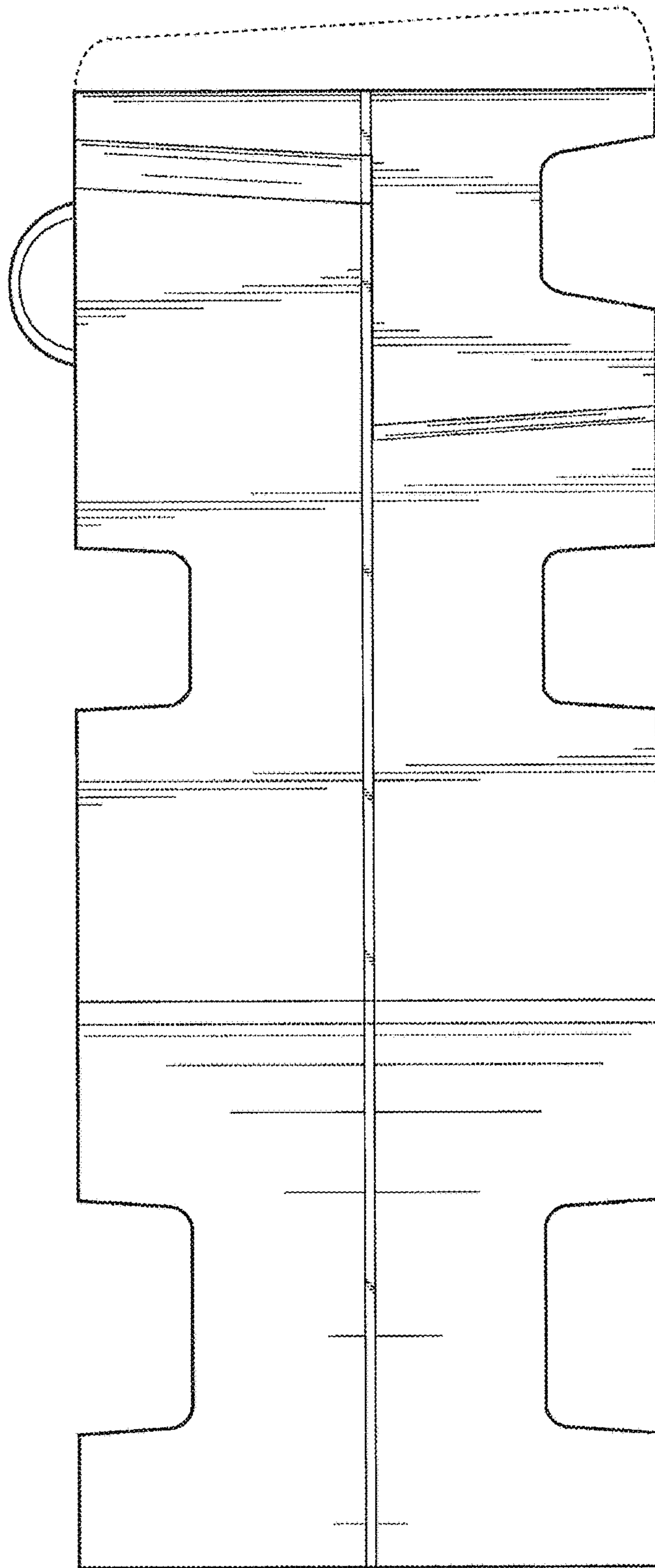


FIG. 7