



US00D866004S

(12) **United States Design Patent**
Johnson

(10) **Patent No.:** **US D866,004 S**

(45) **Date of Patent:** **** Nov. 5, 2019**

(54) **RETAINING WALL BLOCK**

(71) Applicant: **Redi-Rock International, LLC,**
Charlevoix, MI (US)

(72) Inventor: **James R. Johnson,** Charlevoix, MI
(US)

(73) Assignee: **Redi-Rock International, LLC,**
Charlevoix, MI (US)

(**) Term: **15 Years**

(21) Appl. No.: **29/691,245**

(22) Filed: **May 15, 2019**

Related U.S. Application Data

(62) Division of application No. 29/639,897, filed on Mar. 9, 2018, now Pat. No. Des. 857,240.

(51) **LOC (12) Cl.** **25-01**

(52) **U.S. Cl.**
USPC **D25/113**

(58) **Field of Classification Search**
USPC D21/484-491, 499-502; D25/112-118
See application file for complete search history.

(56) **References Cited**

U.S. PATENT DOCUMENTS

- 4,884,921 A * 12/1989 Smith E02D 29/0241
405/286
- 5,741,339 A * 4/1998 DuMars E02D 29/0266
47/83
- 7,524,144 B2 * 4/2009 Gravier E02D 17/205
405/262
- D611,165 S * 3/2010 Hammer D25/113
- D611,166 S * 3/2010 Hammer D25/113
- D611,167 S * 3/2010 Hammer D25/113
- D650,918 S * 12/2011 Hammer D25/113
- D662,612 S * 6/2012 Dyson D25/113
- D672,886 S * 12/2012 MacDonald D25/113

- D672,887 S * 12/2012 MacDonald D25/113
- 9,562,338 B2 * 2/2017 Hammer E02D 29/0233
- 10,053,832 B2 * 8/2018 O'Neill B28B 7/0029
- 2006/0104725 A1 * 5/2006 Carey E02D 29/0266
405/286
- 2014/0373479 A1 * 12/2014 Karau B28B 7/00
52/588.1
- 2018/0030728 A1 * 2/2018 Johnson E04B 2/54
- 2018/0257271 A1 * 9/2018 Karau B28B 7/007

OTHER PUBLICATIONS

Redi-Rock Block Library https://www.redi-rock.com/documents/Engineering/BlockLibrary/Redi-Rock_Block_Library_050318.pdf#page=17 last modified May 9, 2018 (Year: 2018).*

* cited by examiner

Primary Examiner — Leanne Was-Englehart
(74) *Attorney, Agent, or Firm* — Marshall & Melhorn, LLC

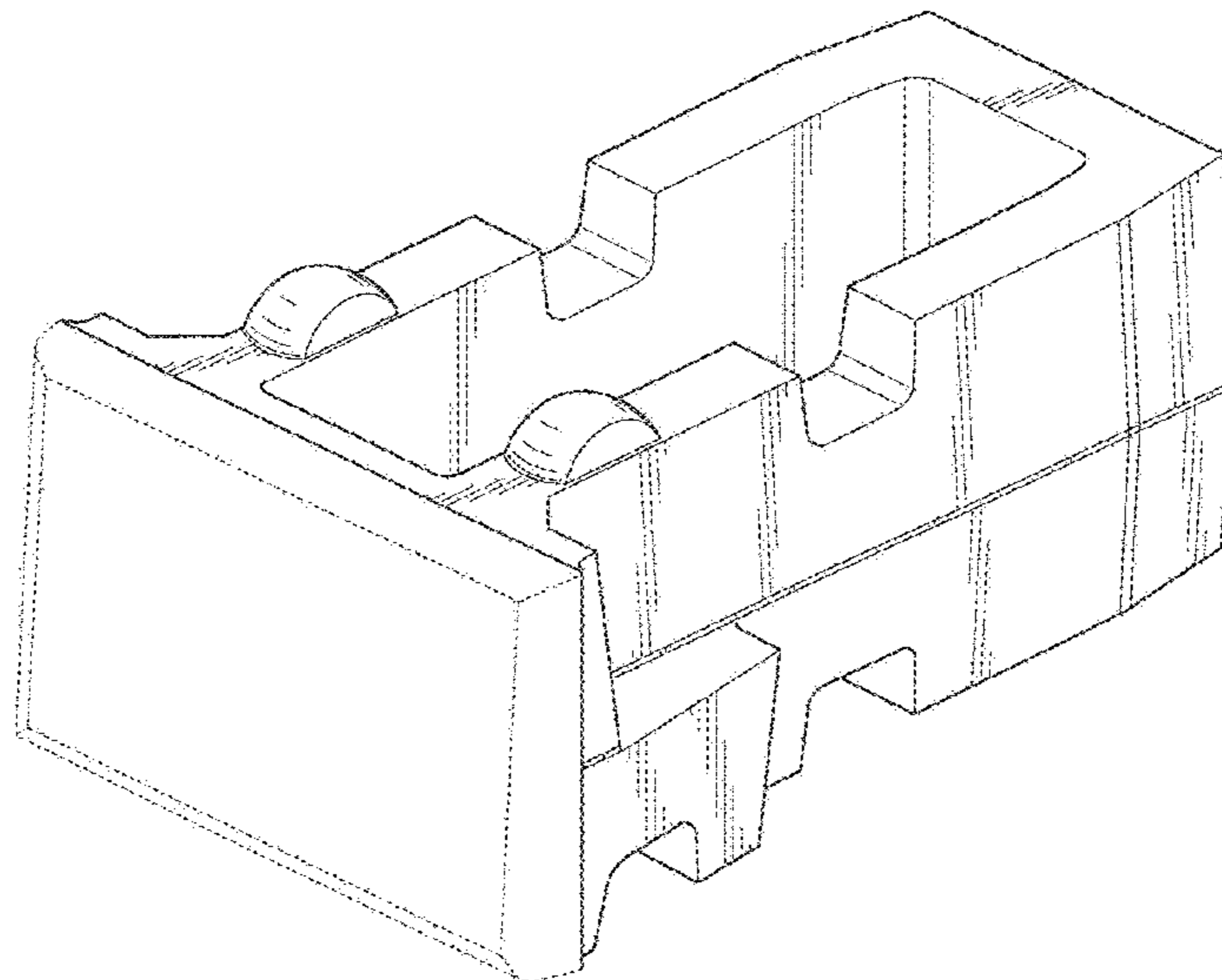
(57) **CLAIM**

I claim the ornamental design for a retaining wall block, as shown and described.

DESCRIPTION

FIG. 1 is a perspective view of a retaining wall block; FIG. 2 is a top plan view thereof; FIG. 3 is a bottom plan view thereof; FIG. 4 is a front side elevational view thereof; FIG. 5 is a rear side elevational view thereof; FIG. 6 is a right side elevational view thereof; and, FIG. 7 is a left side elevational view thereof. The broken lines shown in the drawings are included for purposes of illustrating environment and form no part of the claimed design. The surface shading lines show contour and/or distinguish between open and solid areas. The surface shading lines are not surface ornamentation.

1 Claim, 7 Drawing Sheets



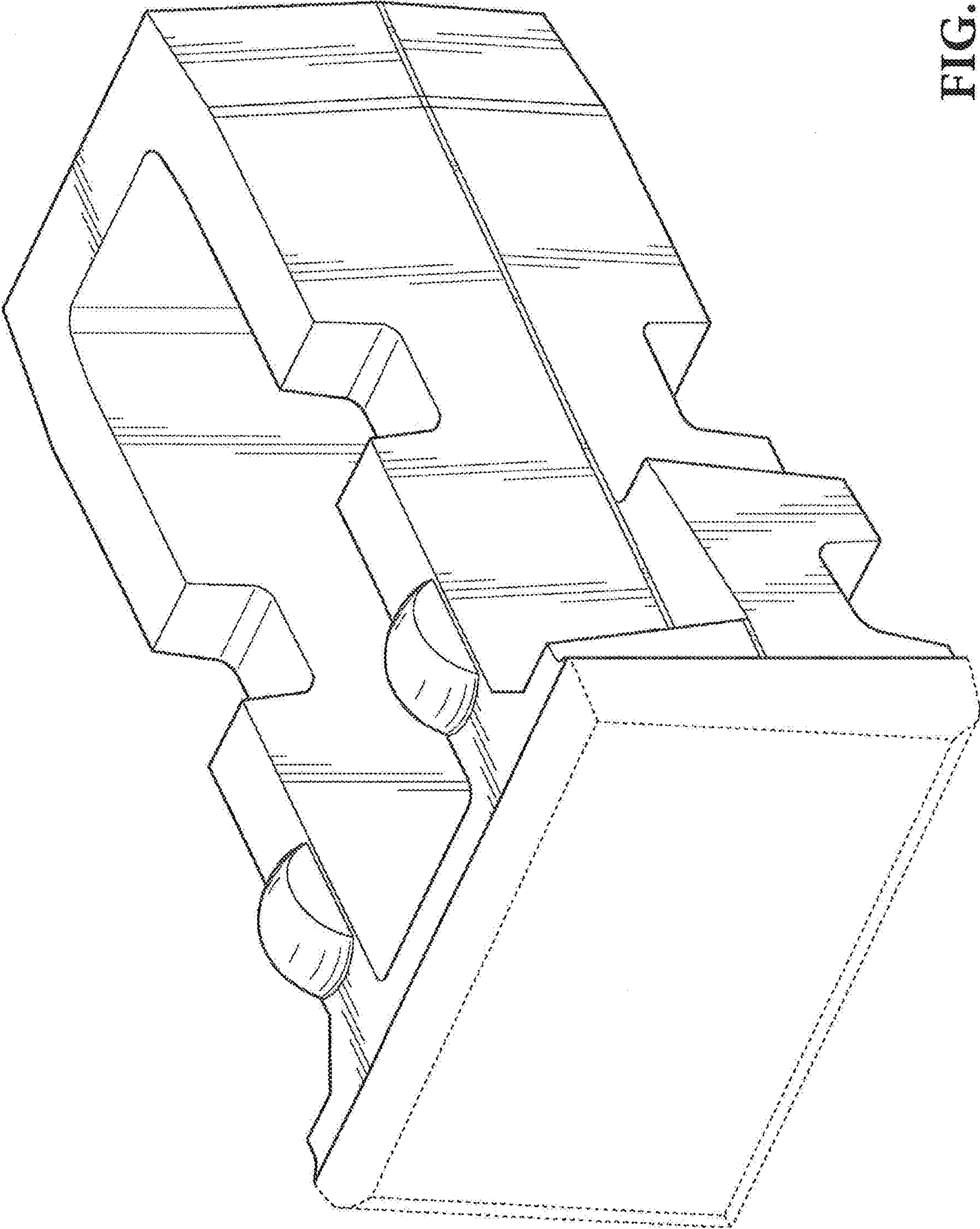


FIG. 1

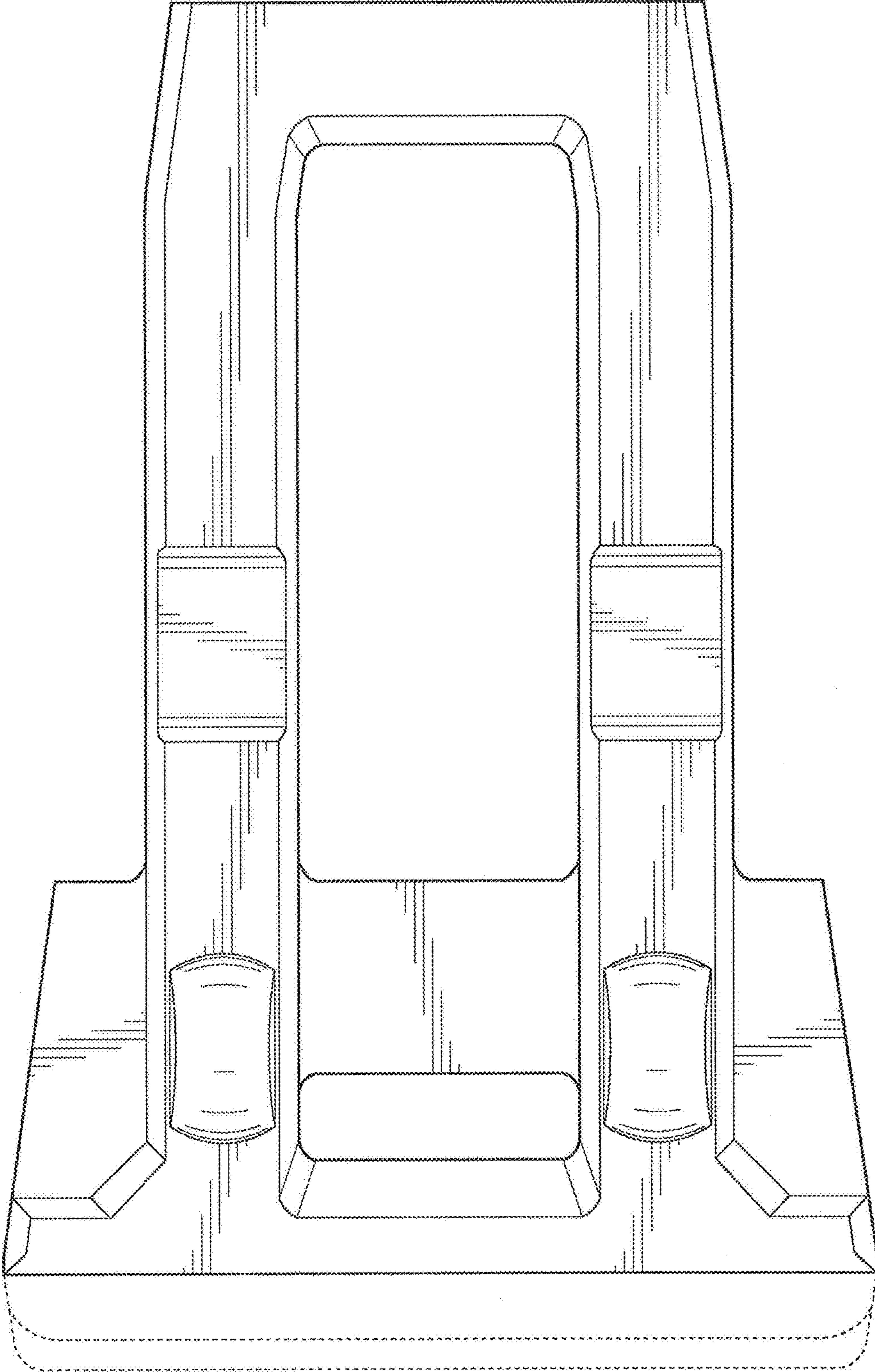


FIG. 2

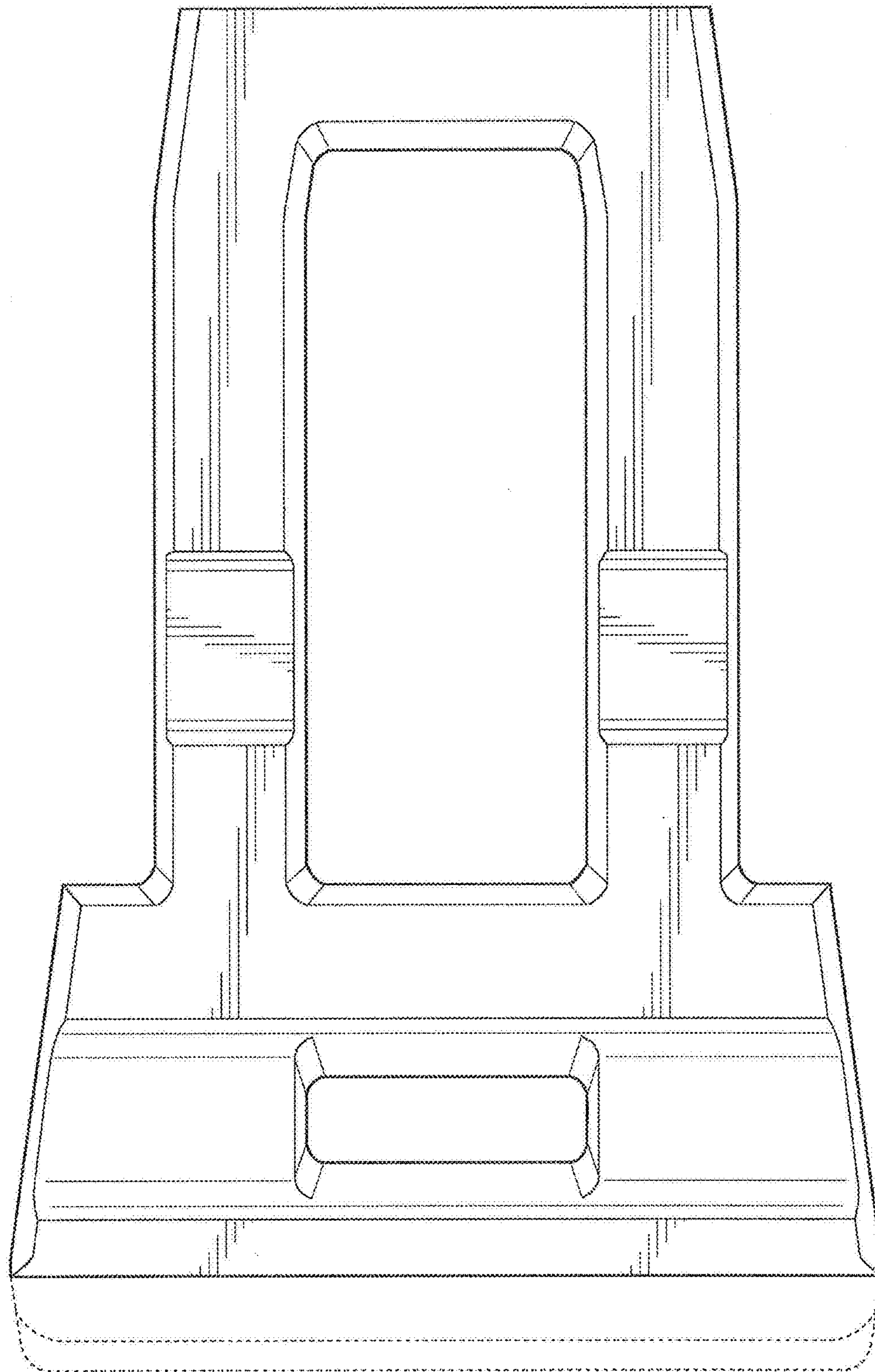


FIG. 3

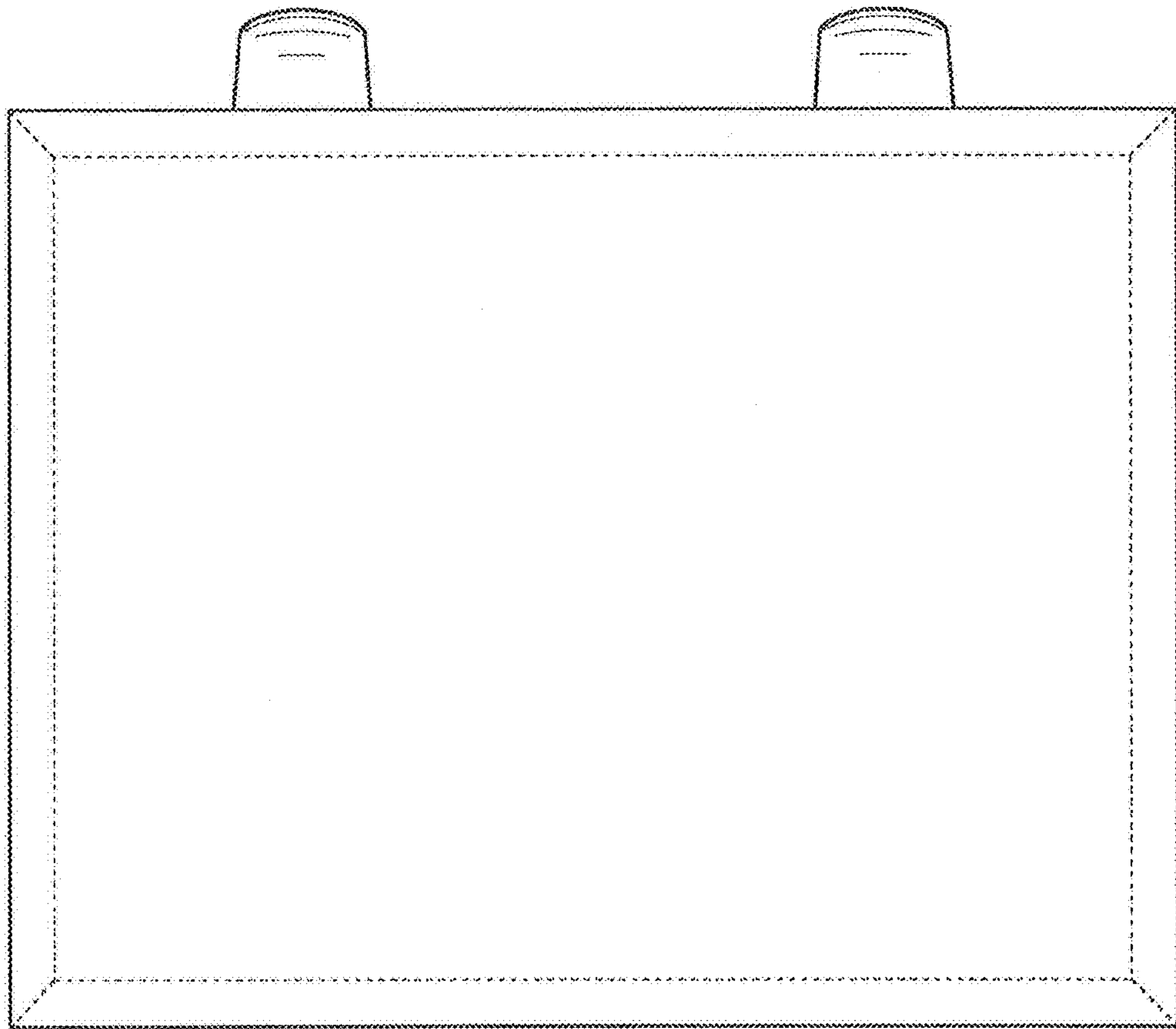


FIG. 4

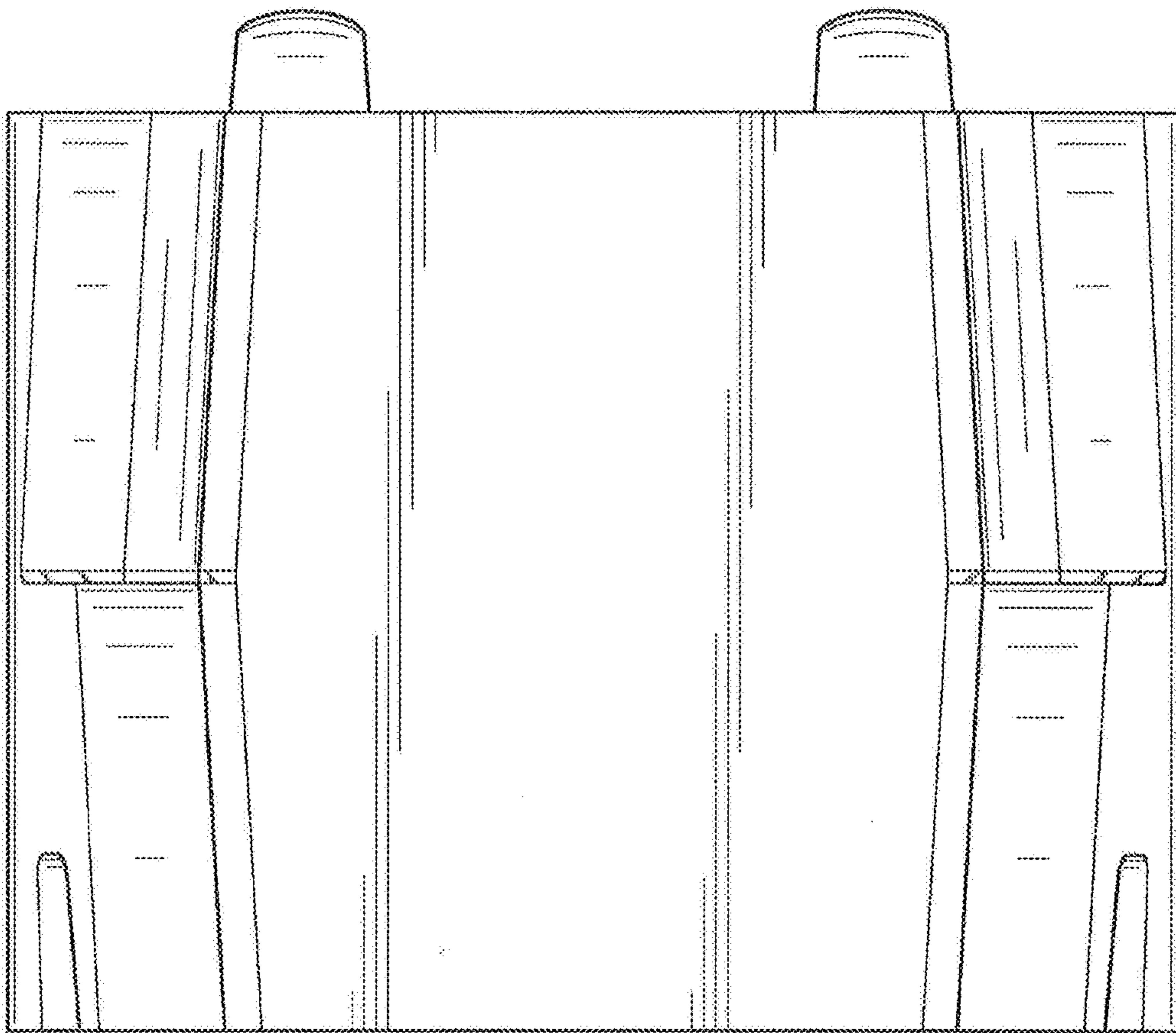


FIG. 5

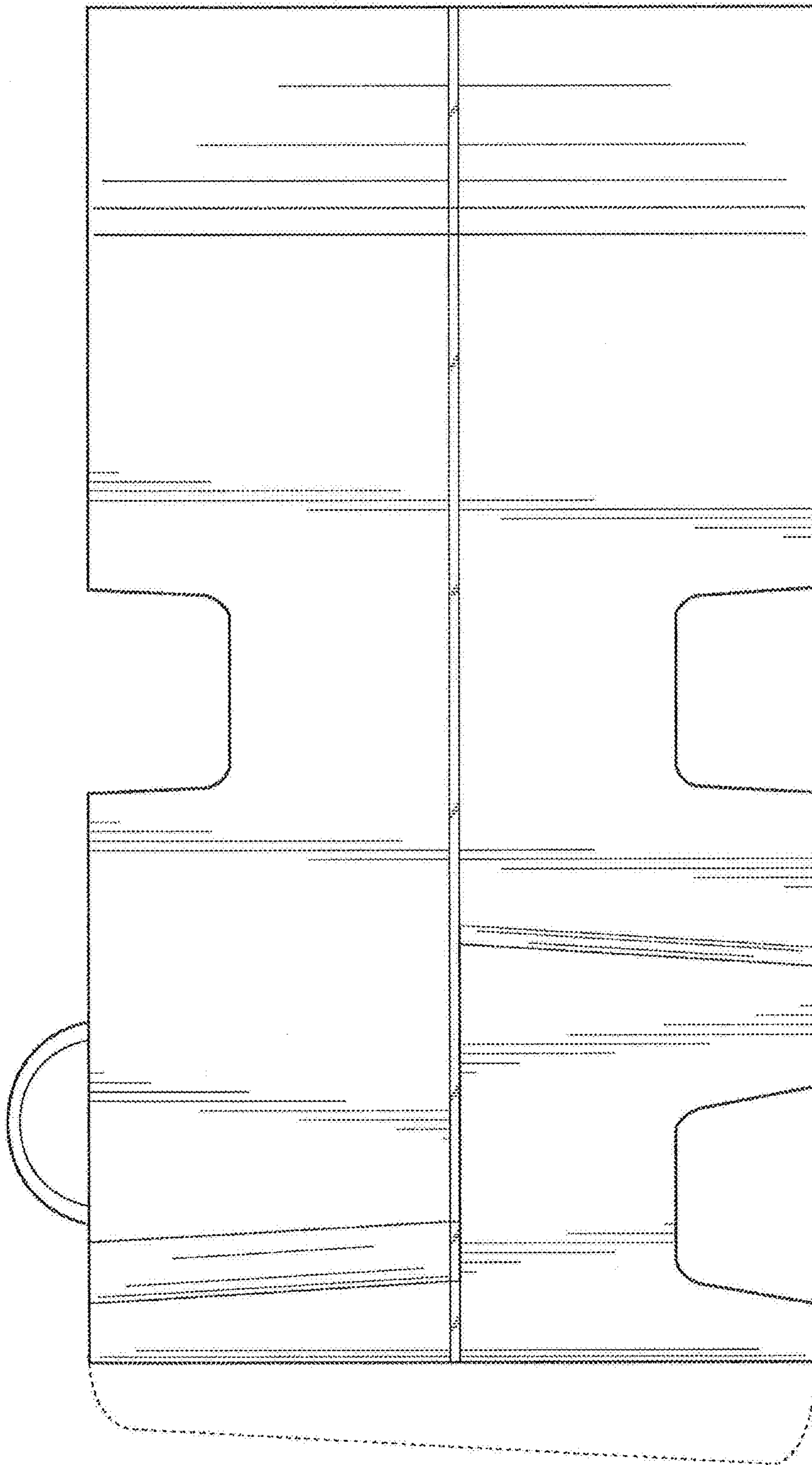


FIG. 6

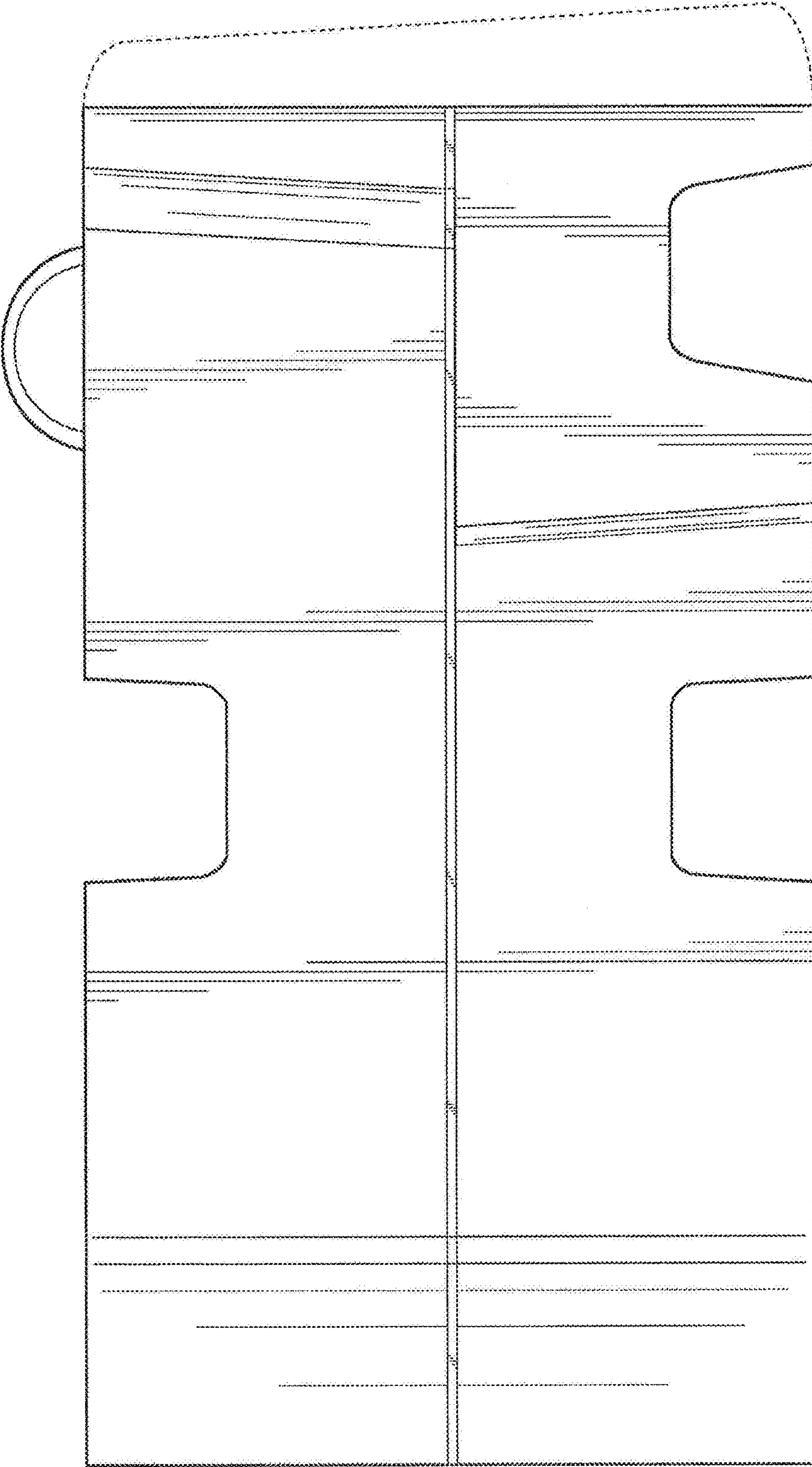


FIG. 7